



Moreng Telecom Products, LLC

*Quality... when your
customers come back and your
products don't.*

10002738 QM15



ISO 9001: 2015

DQS INC.
MORENG TELECOM
PRODUCTS, LLC

Moreng Telecom Products, LLC
357 Hamburg Turnpike
Wayne, NJ 07470

Phone: 973-237-2001

Fax: 973-256-3087

Website: www.morengtel.com

Email: postmaster@morengtel.com

ISO 900: 2015 Registered

COMPANY OVERVIEW:

Moreng Telecom Products specializes in the design and fabrication of items used in the telecommunications industry. Along with a standard product line, we offer planning and engineering for custom requirements.

COMPANY RESUME:

- Over one hundred years of precision metal fabrication (4th Generation)
- Design and fabrication of quality telecommunications hardware including:
 - Equipment Bays – (NEBS compliant - Telcordia Certified – Zone 2 & 4)
 - Cable Racks
 - Auxiliary Framing Superstructure
 - Main Distributing Frames
 - Light Guide - Fiber Distribution Frames
 - Equipment Shelves
 - Cable Hole/Wall Sheathings
- 52,000 square foot warehouse – 25 minutes from midtown NYC
- 60,000 square foot production facility - Totowa, NJ
- 70,000 square foot manufacturing and warehousing facility in Fontana, CA
- ISO 9001:2015 Registered (April 18, 2001) (UL Registered Firm)

MISSION STATEMENT:

To exceed your expectations by giving you the personal attention a small business can, while supplying reasonably priced top quality products in a timely manner.

CUSTOMER BASE:

- RBOCs - (VERIZON, SBC, etc.)
- Telecommunications, Internet, and Datacom
- ILEC's, CLEC's, LEC's
- Co-location and Fiber Optic Network Providers
- EF&I, Installation, and Electrical Sub-contractors

MORENG TELECOM PRODUCTS, LLC

ISO 9001:2015 Registered

Introduction / History

The origins of Moreng Telecom Products can be traced back to 1902 when Joseph Moreng Iron Works was founded in New York City. The founder, Joseph H. Moreng was a Swiss ornamental ironworker and blacksmith. He started fabricating iron work for the local Western Electric (now Lucent Technologies) installers in 1912.

In the early 1930's his sons, Joseph H. (a graduate engineer) and George (a graduate architect) joined the business. They brought fresh and innovative ideas that helped award Moreng Iron Works with lucrative contracts in the burgeoning telecom industry. These contracts and orders included companies like New Jersey Bell, New York Telephone, and Western Electric. As the customer needs became more specialized a new production facility was needed. Joseph and George moved the facility to Ridgefield, NJ and added a sheet metal department.

In the mid 60's Joseph's grandsons, Joseph H. Moreng Jr. and James R. Moreng (both graduate engineers) joined the company. They also brought new ideas and methods that allowed the business to expand and diversify. The design and manufacturing of specialized products remained an important service, so precision sheet metal fabrication machinery and finishing equipment was added. In 1985, in order to meet the needs of the expanding business, the company was moved to a 45,000 sq foot building in Totowa, NJ. At the same time, it was decided that the company name should better reflect the nature of the business and Moreng Metal Products, Inc. was created. During this period everything from microwave towers to terminal lugs was manufactured for the Bell companies. In 1985, after the break-up of AT & T, at the request of the local Telcos, Moreng Metal Products began designing and marketing its own line of telephone hardware. In the early 90's its sales effort was increased and focused toward the expanding telecommunications industry.

In 1997, in order to fully meet customer needs, management decided that a new company should be formed. This company, Moreng Telecom Products, would specialize in the design, fabrication, and sales of items specifically for the telecommunications industry. A 15,000 square foot addition was added to the existing Moreng Facility to house the new company. After just two years in operation both companies needed room to expand. Moreng Telecom moved to a separate 25,000 sq foot facility down the street. In 2013, the company's growth brought it into a 45,000 square foot modern office and warehouse facility in neighboring Wayne, NJ, allowing for greater stocking capacity and faster turnaround time.

The next generation: Joseph C. (Communications, Advanced AutoCAD), Brett (Business Management, Advanced AutoCAD), and Kim (Human Resources, customer service) have influenced the company toward higher productivity and customer satisfaction through continuous quality improvement in all areas. With all the new generations' hard work and commitment, we will continue to meet our customer's short lead times with competitive pricing, while providing the best customer service in the industry.

MORENG TELECOM PRODUCTS, LLC

ISO 9001:2021 Registered

Enclosed is a MORENG descriptive product catalog, it can also be viewed on the web by visiting www.morengtel.com.

The products inside include but are not limited to, Superstructure Framing, Cable Rack, Bracing, Network and UEF bays, Fiber management panels, FDF frames and X-aisle troughs, data racks, Cable hole sheathings and covers, copper bus and ground bars. All frameworks (seismic Z-4 and Z-2) are NEBS compliant and tested and certified by Telcordia Technologies.

MORENG Telecom supplies approved central office hardware to Verizon, AT & T, Lumen (Century Link) and Frontier. In addition, Moreng Telecom Products is involved with design standards, product development and production supply arrangements with national and regional CLECs as well as national, regional, and local EF&I vendors.

We carry a large stock of the most commonly used items to ensure that they will be delivered within the best possible time frame. Our sales staff can cross-reference other telecom hardware suppliers' parts to ensure that you receive the parts that meet your requirements. An in-house engineering staff is available to answer technical questions or to help create parts lists for your project.

The MORENG team also has the capacity to design and fabricate custom items or to modify existing products to meet your special requirements with minimal increases in manufacturing lead-time.

At MORENG Telecom, competitive pricing and Total Service Commitment combine to create a complete package of unequaled value for the customer.

We invite you to visit our facilities and we encourage your direct inquiries at any time. Please call the office at (973)237-2001 or email us all at GeneralMail@morengtel.com

Michael Budny
Sales Engineer
Ext. 223
Mike.Budny@morengtel.com

Brett Moreng
VP and GM.
Ext. 230
BGM@morengtel.com

Tyler Culpepper
Sales, QC and ISO
Ext. 265
TylerC@morengtel.com

Joseph C. Moreng
Sales Contract Mgr
Ext. 222
JCM@morengtel.com

Moreng Telecom Products, LLC

973-237-2001

www.morengtel.com

TELECOM PRODUCTS
CATALOG

Rev -21



Table of Contents

Section 1 : Auxiliary Framing & Strut

Framing Channel & Splices	1-01 thru 1-04
Hanger Rods & Accessories	1-05 thru 1-06
Framing Bar	1-07
Framing Support Kits (Stanchions)	1-07 thru 1-11
Framing Clip Kits	1-12 thru 1-22
Framing Clip Kits (Ceiling)	1-23 thru 1-25
Framing "V" Bolt Kits	1-26 thru 1-29
Framing to Top of Bay Kit (with Strut)	1-30
Framing Cable Bracket Kits	1-30 thru 1-31
Framing "U" Bolt Kits	1-32 thru 1-32a
Framing Conduit connectors	1-33 thru 1-33a
Framing End Bolt Kits and Caps	1-34
Friction Clip Kit (Anti-Slip)	1-35
Steel strut and connectors	1-36 thru 1-38
Strut End Caps	1-39
Strut Nuts	1-40
2" x 1" Channel Framing and Splices	1-41 to 1-43
End Caps For 2" x 1" Channels	1-44
3" Channel	1-45 to 1-55
3" Framing Channel and Splices	1-46 thru 1-48
3" Framing Clip Kits	1-49 thru 1-52
Framing Brace Angle Kits	1-52 thru 1-53
3" End Bolts and Caps	1-54
3" Cable Brackets	1-55
Framing Bar and Accessories	1-56 thru 1-64

Section 2 : Cable Rack

Cable Rack	2-01 thru 2-03
Cable Rack Pan	2-04
Cable Rack Turns	2-05 thru 2-08
Spiral Cable Rack	2-09
Cable Rack End Bars/Kits	2-10 thru 2-11
Cable Rack Feet	2-12 thru 2-13
Cable Rack Splices & Junctions	2-14 thru 2-29
Cable Rack Supports	2-30 thru 2-33
Cable Rack "C" & "G" Clip Kits	2-34 thru 2-38
Cable Rack Wall Mounting Kits	2-39
Cable Rack Floor or Wall Mounting Kits	2-40 thru 2-41
Seismic Splices and Junctions	2-42
Cable Rack Horns & Cable Brackets	2-43 thru 2-53
Cable Rack to Top of Equipment Bays	2-54 thru 2-55
Cable Rack Edge Protection and Insulators	2-56

Section 3 : Bracing

Bracing Angles	3-01
Threaded Rod and Sleeves	3-02
Rod and Angle Brace Kits	3-03 thru 3-12,3-15

Brace Bars	3-13 thru 3-14
Bracing with Insulator	3-16 thru 3-17
Section 4 : Basic Hardware	
Framing Clips	4-01 thru 4-03
Cable Rack Lock ("J") Bolts	4-04
"V" Bolts and Rod Brace Bracket	4-05
"C" & "G" Clips	4-06
Strut Clips and Filler bar	4-07
Hex Nuts & Washers	4-08 thru 4-09
Split Hex Nuts and J-Bolt Kits	4-10
Hex Head Cap Screws	4-11 thru 4-13
Machine Screws	4-14
Toggle Bolts and Lag Screws	4-15
Concrete Anchors	4-16
Threaded Rod, 3/8" & 1/2" (For 5/8" See 1-05)	4-17
Square Washers & Hold Down Plates	4-18
Isolation Cherries and Bushings	4-19
Cable Rack Clamps	4-20
Tri Lobe Machine Screws	4-21
Pan Head Machine Screws	4-22
Section 5 : Network Bays	
Description and Configurations	5-01 thru 5-03a
Bay RU Guide Label Strip	5-03b
Bays	5-04 thru 5-12
Extenders	5-13
Spacer Kits	5-14 thru 5-17
End Guards	5-18 thru 5-19
Spacer Kits for between End Guard and Bay	5-20 thru 5-21
End Covers	5-22
Seismic Bays	5-23 thru 5-26
Seismic Extenders	5-27
Seismic Spacer Kits	5-28 thru 5-31
Seismic End Guards	5-32 thru 5-34
Seismic End Covers	5-35
Base Accessories	5-36 thru 5-38
Base Build Outs and Extensions	5-39 thru 5-42
Power Strips	5-43 thru 5-44
Junction Plates	5-45
End Guard Brace Kits	5-46
Brace Brackets and Junction Kits	5-47
Network Bay Velcro Spacer Kits	5-48 thru 5-50
Section 6 : UEF Bays	
Description and Configurations	6-01 thru 6-03
Bays	6-04 thru 6-06
Extenders	6-07 thru 6-08
Spacers, UEF Base Kits	6-08 thru 6-11
End Covers and Guards	6-12 thru 6-15
Seismic Bays	6-16 thru 6-18
Seismic Extenders	6-19
End Guard and Spacer Kits	6-20 thru 6-21
Guard Box Extensions	6-22

Base Accessories	6-23
Outlet Kits	6-24 thru 6-25
Special Seismic UEF Bay Kits	6-26
Special UEF Spacers	6-27 thru 6-28
UEF Bay Velcro Spacer Kits	6-29 thru 6-32
Section 7 : Bay Accessories	
Mounting Plate Adapter Kits	7-01 thru 7-03
Mounting Plate Stand-off Kits	7-04
Mounting Plate Blank Kits	7-05
Mounting Plate Filler Kits	7-06
Cable Brackets	7-07 thru 7-08
Edge Strips and Tie Bars	7-09
Equipment Shelves	7-10 thru 7-11
Adjustable Heat Baffle	7-11
Floor Shims	7-12 thru 7-12b
Floor & Raised Floor Anchor Kits	7-13 thru 7-18
Isolation Pads	7-19 thru 7-20
Outlet Kits	7-21
Special Adapters	7-22
V Bolt Kit for Support Pipe	7-23
Anchor Kits	7-24 thru 7-25
Section 8 : Fiber Distribution Frames & Accessories	
Intro and Description	8-01 thru 8-03
FDF Bays	8-04 thru 8-10
Seismic Bays	8-11 thru 8-17
FDF Bay Ring Kits	8-18 thru 8-18a
End Guards & Covers	8-19 & 8-20
Rear Doors	8-21
FDF Bay Accessories	8-22 thru 8-26
FDF Bay Extenders	8-27 thru 8-28
Cross Aisle Trough Kits	8-29
FDF Spacer Accessories	8-30
Fiber Management and Protection	8-31 to End
Vertical 90 Degree Turn: Transition to Plastic Fiber Guide	8-32
Fiber Transition Assembly	8-33
Fiber Management Panels (IMP)	8-34 thru 8-35
Fiber Optic Storage Kit	8-36
Fiber Distribution Bays (Shop Assembled)	8-37 thru 8-40
Fish Paper: Weatherproof/Electrical Insulation	8-41
Section 9 : Miscellaneous	
Copper Bus Bar and Ground Kits	9-01 thru 9-03
Cable Hole Sheathings	9-04
Cable Hole Covers	9-05
Cable Hole Stirrups	9-06
Cable Hole Sheathings (Raised Floors)	9-07
Cable Slot Partitions	9-08 thru 9-09
Cable Hole (Thru Wall) Sleeve Kits	9-10
Power/High Capacity Bays	9-11
Power/High Capacity Shelves	9-12 thru 9-14
Touch up Paint: Brush/Pen/Spray	9-15

AUXILIARY FRAMING & STRUT

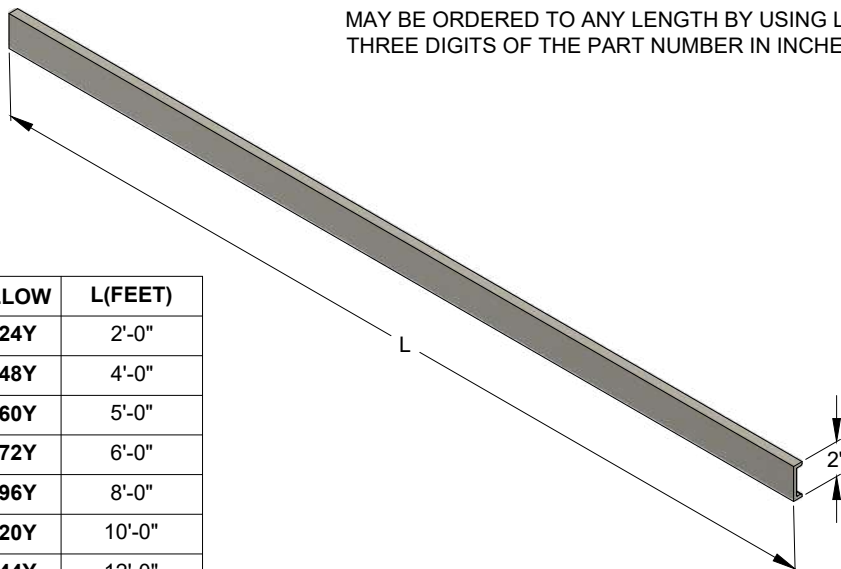


2" CHANNEL FRAMING

MATERIAL: 2 x 9/16 x 3/16 STEEL CHANNEL (ASTM A-36)

FINISH: MTP GRAY, BATTERY CASE BLACK POWDER or ZINC & TRIVALENT CHROMATE (ZY)

MAY BE ORDERED TO ANY LENGTH BY USING LAST THREE DIGITS OF THE PART NUMBER IN INCHES



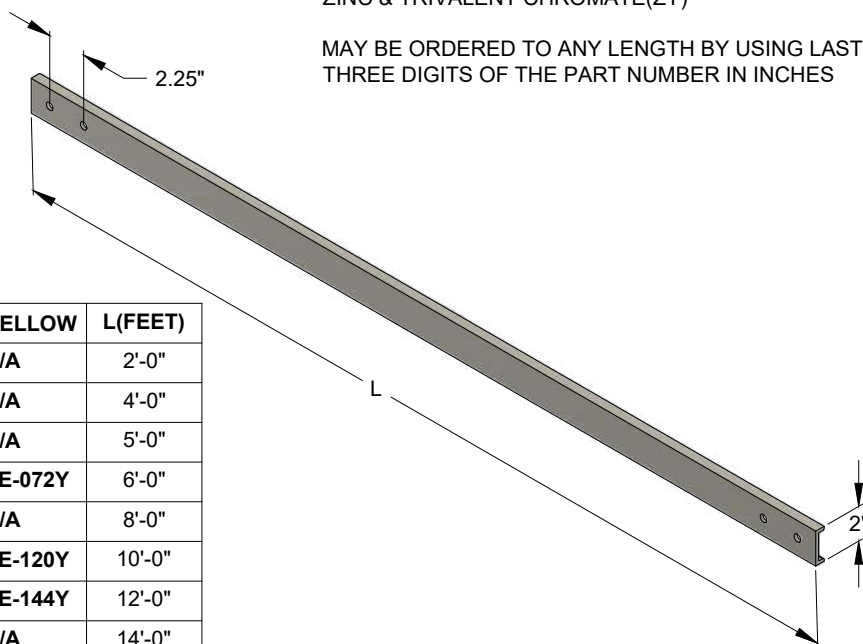
GRAY	BLACK	ZINC YELLOW	L(FEET)
SFC-2-024	SFC-2-024B	SFC-2-024Y	2'-0"
SFC-2-048	SFC-2-048B	SFC-2-048Y	4'-0"
SFC-2-060	SFC-2-060B	SFC-2-060Y	5'-0"
SFC-2-072	SFC-2-072B	SFC-2-072Y	6'-0"
SFC-2-096	SFC-2-096B	SFC-2-096Y	8'-0"
SFC-2-120	SFC-2-120B	SFC-2-120Y	10'-0"
SFC-2-144	N/A	SFC-2-144Y	12'-0"
SFC-2-168	N/A	N/A	14'-0"
SFC-2-192	N/A	N/A	16'-0"
SFC-2-216	N/A	N/A	18'-0"
SFC-2-240	N/A	N/A	20'-0"

2" CHANNEL FRAMING (PREDRILLED AS SHOWN)

MATERIAL: 2 x 9/16 x 3/16 STEEL CHANNEL (ASTM A-36)

FINISH: MTP GRAY, BATTERY CASE BLACK POWDER or ZINC & TRIVALENT CHROMATE(ZY)

MAY BE ORDERED TO ANY LENGTH BY USING LAST THREE DIGITS OF THE PART NUMBER IN INCHES



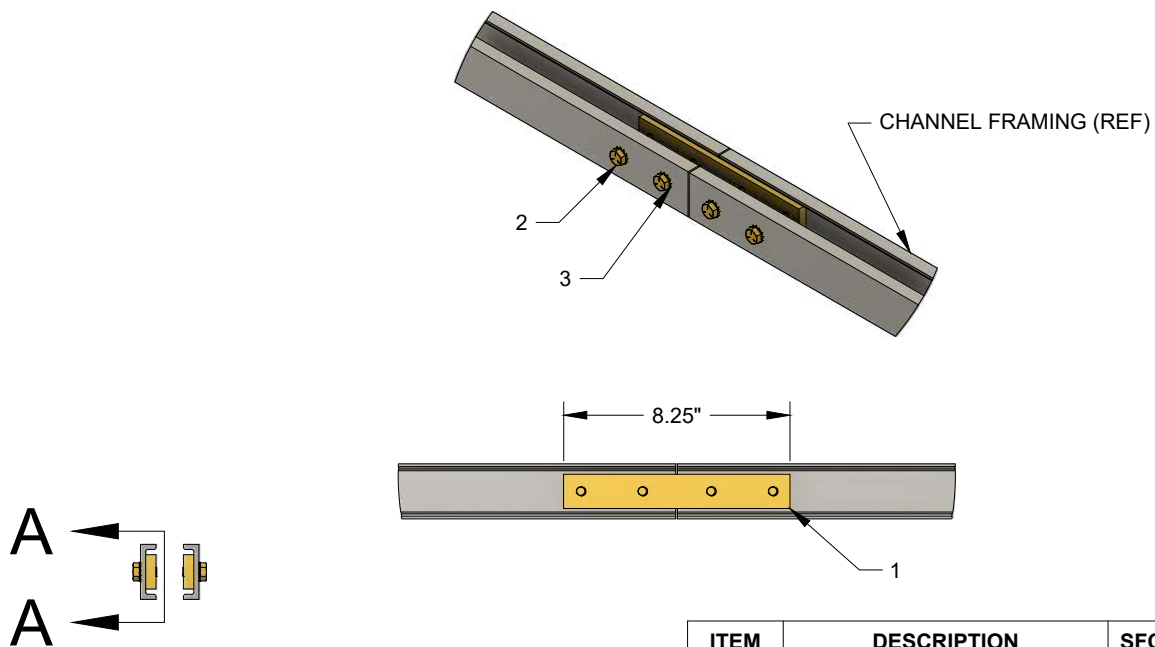
GRAY	BLACK	ZINC YELLOW	L(FEET)
SFC-2E-024	N/A	N/A	2'-0"
SFC-2E-048	N/A	N/A	4'-0"
SFC-2E-060	N/A	N/A	5'-0"
SFC-2E-072	N/A	SFC-2E-072Y	6'-0"
SFC-2E-096	N/A	N/A	8'-0"
SFC-2E-120	SFC-2E-120B	SFC-2E-120Y	10'-0"
SFC-2E-144	N/A	SFC-2E-144Y	12'-0"
SFC-2E-168	N/A	N/A	14'-0"
SFC-2E-192	N/A	N/A	16'-0"
SFC-2E-216	N/A	N/A	18'-0"
SFC-2E-240	N/A	N/A	20'-0"

(01/16/24)



Moreng Telecom Products
973-237-2001
www.morengtel.com

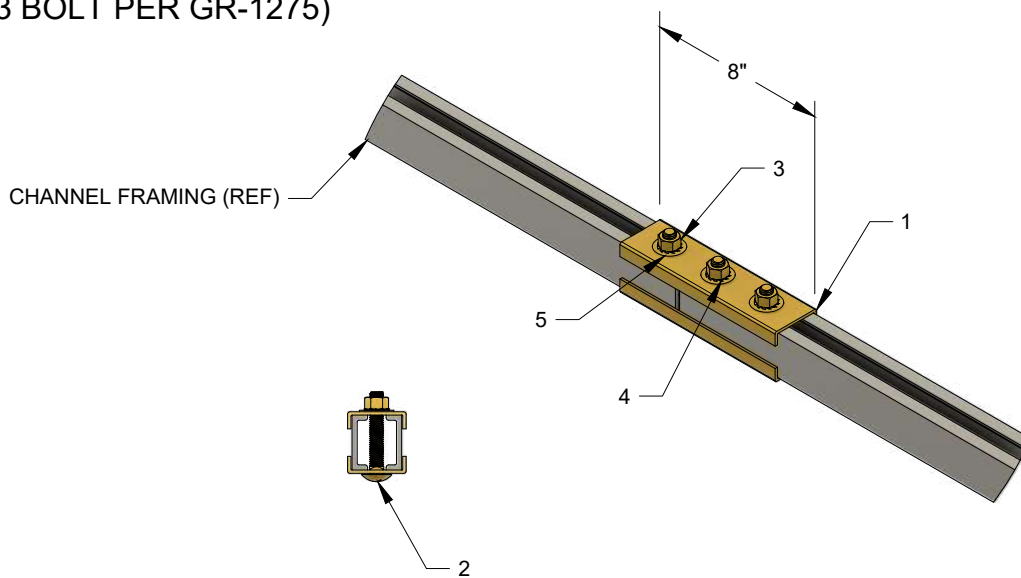
2" CHANNEL FRAMING (SEISMIC BOLTED - GR1275)



FINISH: ZINC PLATED & YELLOW CHROMATE

ITEM	DESCRIPTION	SFC-2-350
1	SPLICE BAR	2
2	3/8-16 x 5/8, HEX HEAD BOLT	8
3	3/8 EXTERNAL TOOTH LOCK WASHER	8

2" CHANNEL FRAMING SPLICE (3 BOLT PER GR-1275)



FINISH: ZINC PLATED & YELLOW CHROMATE

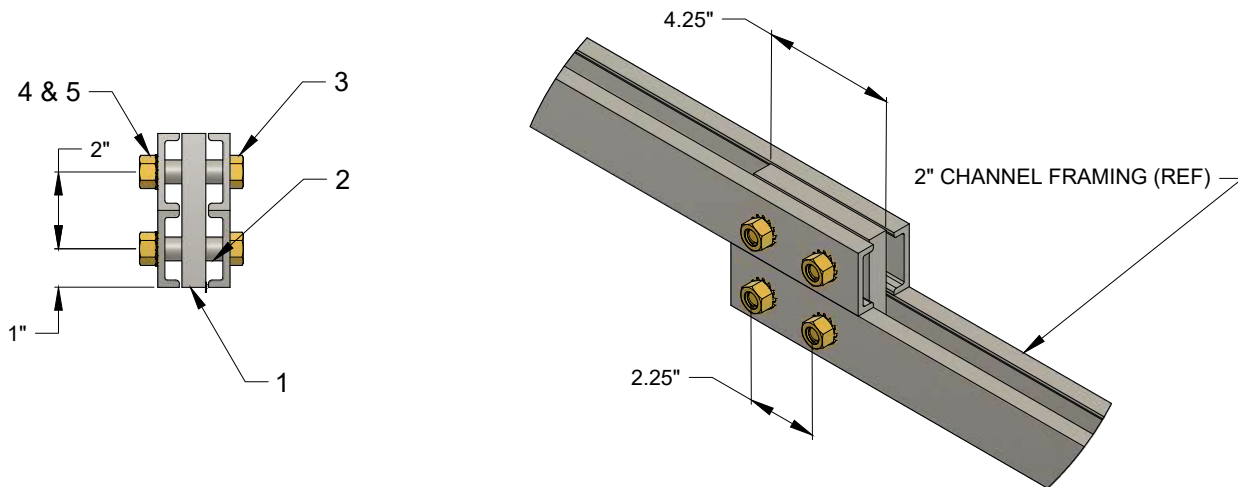
ITEM	DESCRIPTION	SFC-2-818
1	CHANNEL SPLICE	2
2	1/2 x 3 CARRIAGE BOLT	3
3	1/2-13 HEAVY STEEL HEX NUT	3
4	1/2 EXTERNAL TOOTH LOCK WASHER	3
5	1/2 STEEL FLAT WASHER	3

(03/11/22)



Moreng Telecom Products
973-237-2001
www.morengtel.com

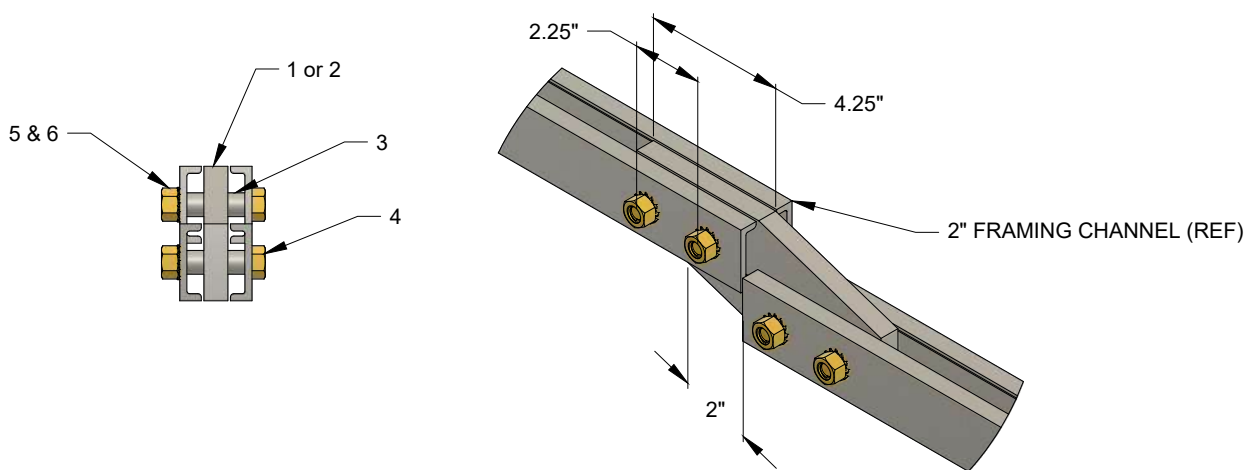
SPLICE FOR 2" CHANNEL FRAMING 2" DIFFERENCE IN LEVELS



ITEM	DESCRIPTION	SFC-2-829K	SFC-2-829KS
1	SPLICE PLATE	1	1
2	SPACER		8
3	1/2 x 2-1/4 HEX HEAD BOLT	4	4
4	1/2 HEAVY HEX NUT	4	4
5	1/2 EXTERNAL TOOTH LOCK WASHER	4	4

FINISH: MTP GRAY

SPLICE FOR 2" CHANNEL FRAMING 1" or 1-1/2" DIFFERENCE IN LEVELS



ITEM	DESCRIPTION	SFC-2-831K	SFC-2-831KS	SFC-2-832K	SFC-2-832KS
1	1" DIFFERENCE, PLATE SPLICE	1	1		
2	1.5" DIFFERENCE, PLATE SPLICE			1	1
3	SPACER		8		8
4	1/2 x 2-1/4 HEX HEAD BOLT	4	4	4	4
5	1/2 HEAVY HEX NUT	4	4	4	4
6	1/2 EXTERNAL TOOTH LOCK WASHER	4	4	4	4

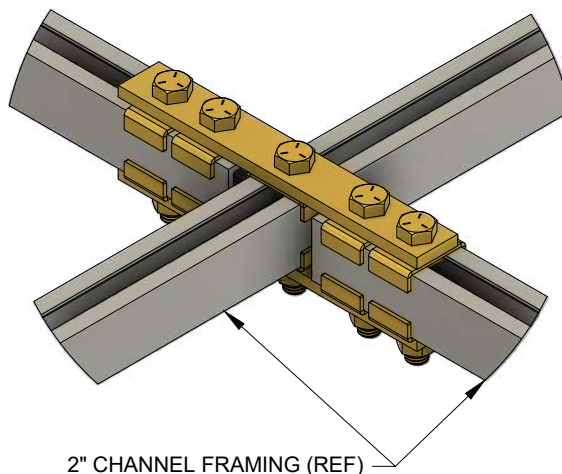
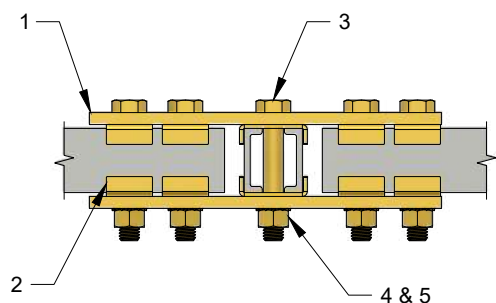
FINISH: MTP GRAY

(03/11/22)



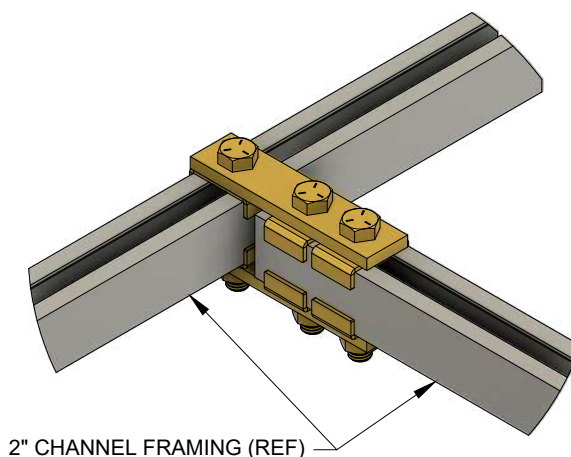
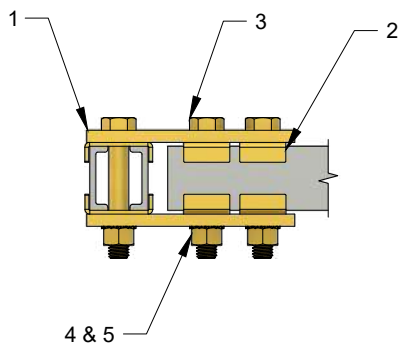
Moreng Telecom Products
973-237-2001
www.morengtel.com

CHANNEL FRAMING SPLICE AT SAME LEVEL (CROSS) GR-1275-CORE



ITEM	DESCRIPTION	SFC-2-820
1	BAR (ZINC YELLOW)	2
2	AUX FRAMING CLIP	10
3	BOLT, 5/8 x 4 GRADE 5	5
4	5/8 HEAVY HEX NUT, GRADE 5	5
5	5/8 EXTERNAL TOOTH WASHER	5

CHANNEL FRAMING SPLICE AT SAME LEVEL (TEE) GR-1275-CORE



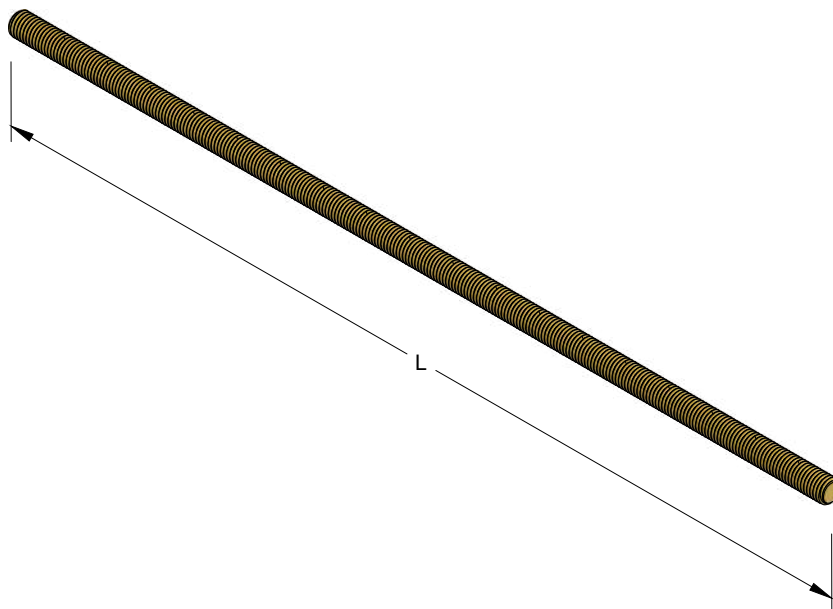
ITEM	DESCRIPTION	SFC-2-822
1	BAR (ZINC YELLOW)	2
2	AUX FRAMING CLIP	6
3	BOLT, 5/8 x 4 GRADE 5	3
4	5/8 HEAVY HEX NUT, GRADE 5	3
5	5/8 EXTERNAL TOOTH WASHER	3

(03/11/22)



5/8" THREADED ROD

MATERIAL	TENSILE	YIELD
B7	125 KSI	105 KSI

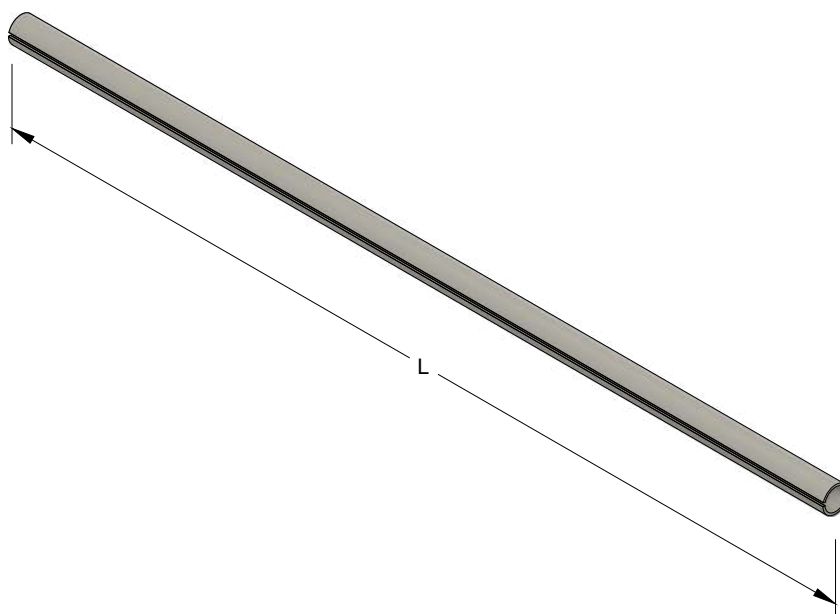


MAX. L = 144"

FINISH: ZINC & YELLOW PLATED(ROHS)

PART #	L (INCHES)
SHR-5-012	12
SHR-5-018	18
SHR-5-024	24
SHR-5-036	36
SHR-5-048	48
SHR-5-060	60
SHR-5-072	72
SHR-5-096	96
SHR-5-120	120
SHR-5-144	144

5/8" SPLIT ROD SLEEVE



MAX. L = 120"

MATERIAL: GRAY POLYETHYLENE

*SIZES UNDER 10' CAN BE CUT FROM STOCK xxx=LENGTH

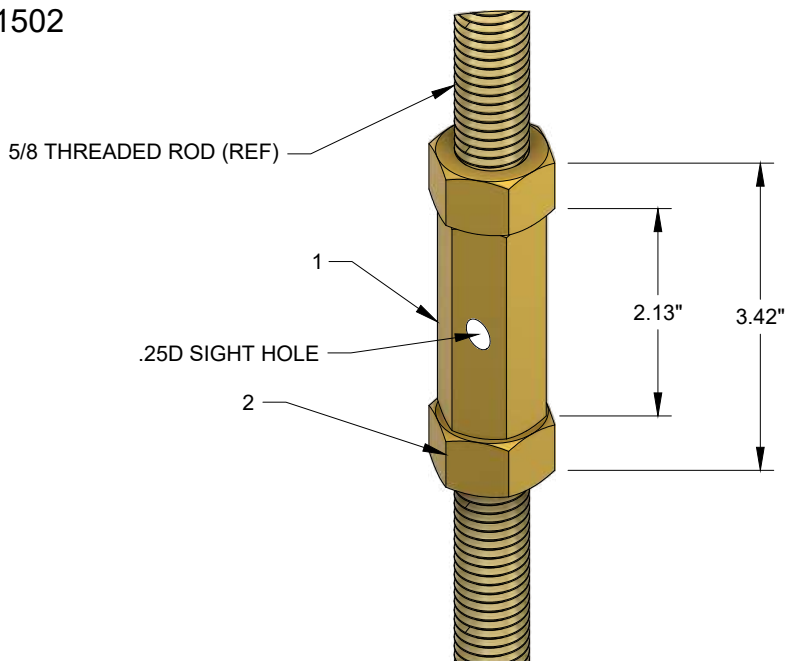
PART #	L (INCHES)
SHRP-5-072	72
SHRP-5-120	120
*SHRP-5-xxx	xxx

(01/23/24)



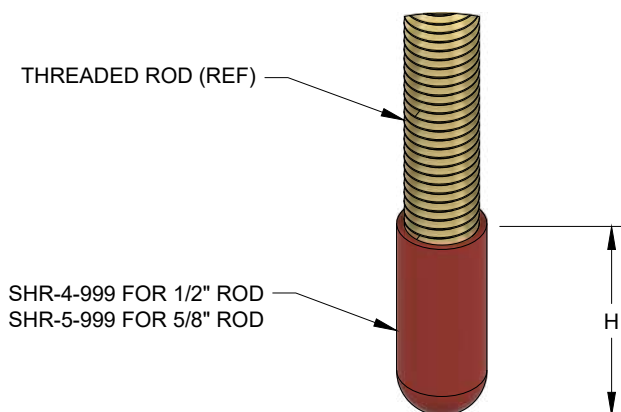
Moreng Telecom Products
973-237-2001
www.morengtel.com

5/8 HANGER ROD SPLICE KIT PER GR-1275 & 1502



ITEM	DESCRIPTION	SFH-765K
1	5/8 COUPLING NUT, GRADE 5	1
2	5/8 HEAVY HEX NUT, GRADE 5	2

HANGER ROD END CAPS



MATERIAL: VINYL

COLOR: VARIES

H	ROD THREAD SIZE	ITEM
APPROX 1"	1/2-13	SHR-4-999
APPROX 2"	5/8-11	SHR-5-999

(08/07/24)



Moreng Telecom Products
973-237-2001
www.morengtel.com

FRAMING BARS - 2 x 3/8

MATERIAL: 2 x 3/8 ASTM A-36 STEEL

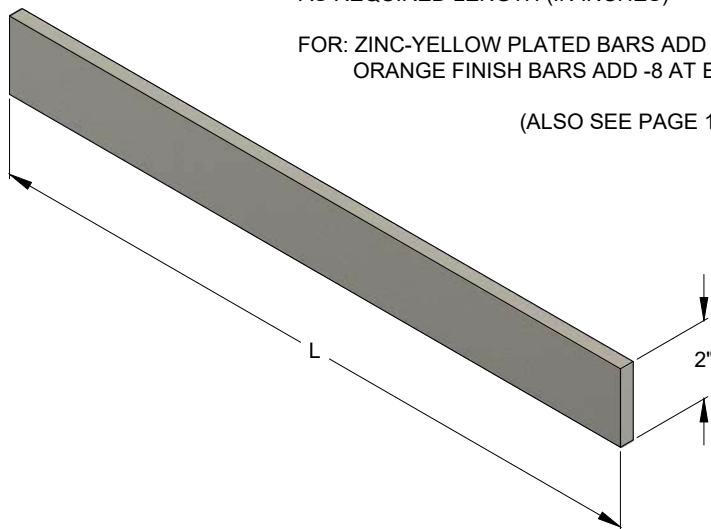
FINISH: MTP GRAY

OPTIONS:

- MAY BE ORDERED TO ANY LENGTH BY USING LAST 3 DIGITS OF PART NUMBER AS REQUIRED LENGTH (IN INCHES)

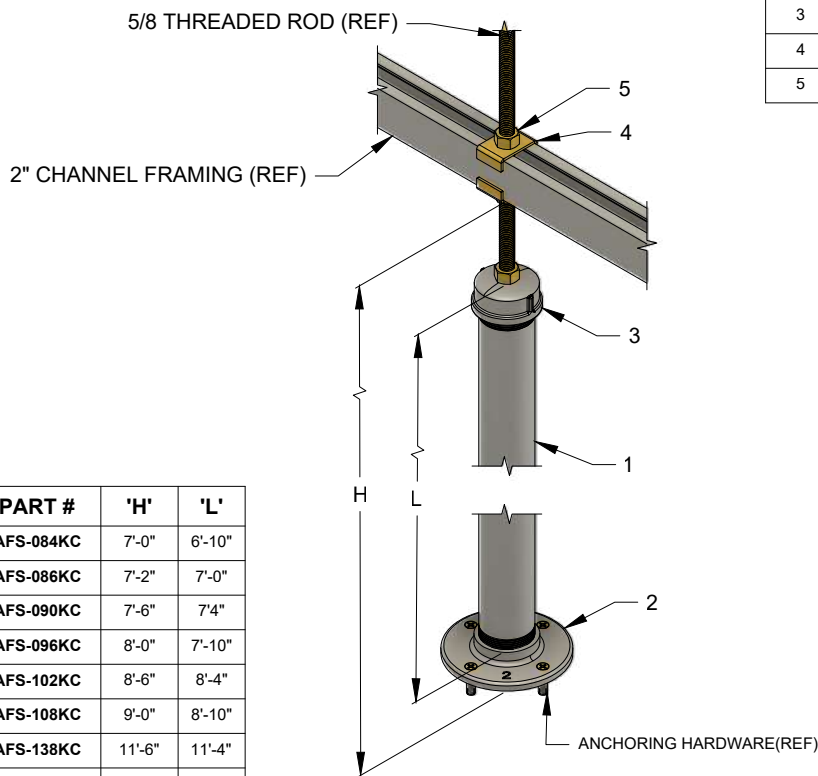
FOR: ZINC-YELLOW PLATED BARS ADD Y AT END OF PART #
ORANGE FINISH BARS ADD -8 AT END OF PART #

(ALSO SEE PAGE 1-57)



PART #	L (INCHES)
CRB-2-048	48
CRB-2-060	60
CRB-2-072	72
CRB-2-096	96
CRB-2-120	120
CRB-2-xxx	VARIABLE

AUX FRAMING SUPPORT KITS



ITEM	DESCRIPTION	AFS-yyyKC
1	2" SUPPORT PIPE, xxx = LENGTH OF PIPE	1
2	FLANGE, 5.5" ROUND	1
3	CAP TO PIPE	1
4	CHANNEL CLIP	2
5	5/8-11 HEAVY STEEL HEX NUT	3

PART #	'H'	'L'
AFS-084KC	7'-0"	6'-10"
AFS-086KC	7'-2"	7'-0"
AFS-090KC	7'-6"	7'-4"
AFS-096KC	8'-0"	7'-10"
AFS-102KC	8'-6"	8'-4"
AFS-108KC	9'-0"	8'-10"
AFS-138KC	11'-6"	11'-4"
AFS-yyyKC	__'-__"	(H-2")

MATERIAL: STEEL

FINISH: MTP GRAY

yyy IS IN INCHES AND FOR ANY H THE LENGTH OF ITEM 1(XXX) IS H MINUS 4.25"

OPTIONS:

-FOR SUPPORTING BAR TYPE FRAMING CHANGE C TO B IN PART #

(03/11/22)

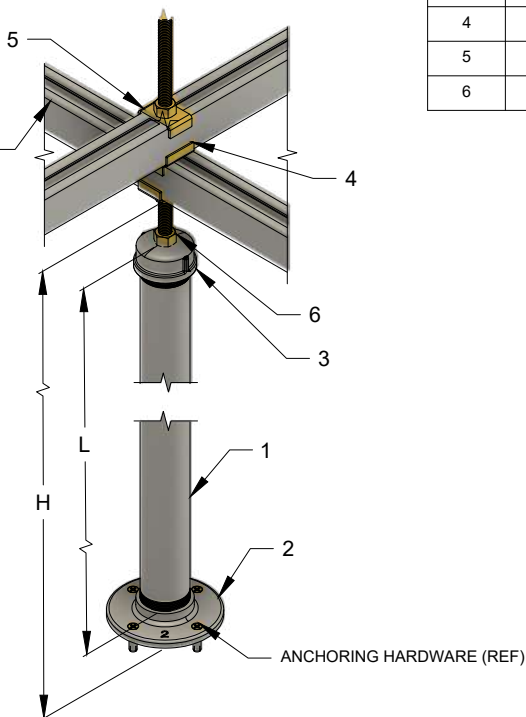


Moreng Telecom Products
973-237-2001
www.morengtel.com

AUX FRAMING SUPPORT KITS

ITEM	DESCRIPTION	AFS-yyyKCX
1	2" SUPPORT PIPE, xxx = LENGTH OF PIPE	1
2	FLANGE, 5.5" ROUND	1
3	CAP TO PIPE	1
4	PERPENDICULAR CHANNEL CLIP	1
5	CHANNEL CLIP	2
6	5/8-11 HEAVY STEEL HEX NUT	3

2" CHANNEL FRAMING (REF)



PART #	'H'	'L'
AFS-084KCX	7'-0"	6'-10"
AFS-086KCX	7'-2"	7'-0"
AFS-090KCX	7'-6"	7'-4"
AFS-096KCX	8'-0"	7'-10"
AFS-102KCX	8'-6"	8'-4"
AFS-108KCX	9'-0"	8'-10"
AFS-138KCX	11'-6"	11'-4"
AFS-yyyKCX	__'-__"	(H-2")

MATERIAL: STEEL

FINISH: MTP GRAY

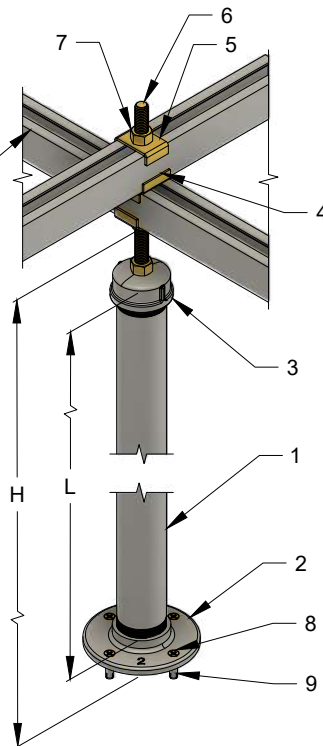
yyy IS IN INCHES AND FOR ANY H THE LENGTH OF ITEM 1(XXX) IS H MINUS 4.25"

OPTIONS:
-FOR SUPPORTING BAR TYPE FRAMING
CHANGE C TO B IN PART #

AUX FRAMING SUPPORT KITS (WITH TOP ROD & ANCHORING HARDWARE)

ITEM	DESCRIPTION	AFS-yyyKT
1	2" SUPPORT PIPE, xxx = LENGTH OF PIPE	1
2	FLANGE, 5.5" ROUND	1
3	CAP TO PIPE	1
4	PERPENDICULAR CHANNEL CLIP	1
5	CHANNEL CLIP	2
6	5/8 x 12" THREADED ROD ZY	1
7	5/8-11 HEAVY STEEL HEX NUT	3
8	1/4-20 x 1-3/4 FHMS ZC	4
9	1/4-20 DOUBLE EXPANSION SHIELD	4

2" CHANNEL FRAMING (REF)



PART #	'H'	'L'
AFS-084KT	7'-0"	6'-10"
AFS-086KT	7'-2"	7'-0"
AFS-090KT	7'-6"	7'-4"
AFS-096KT	8'-0"	7'-10"
AFS-102KT	8'-6"	8'-4"
AFS-108KT	9'-0"	8'-10"
AFS-138KT	11'-6"	11'-4"
AFS-yyyKT	__'-__"	(H-2")

MATERIAL: STEEL

FINISH: MTP GRAY

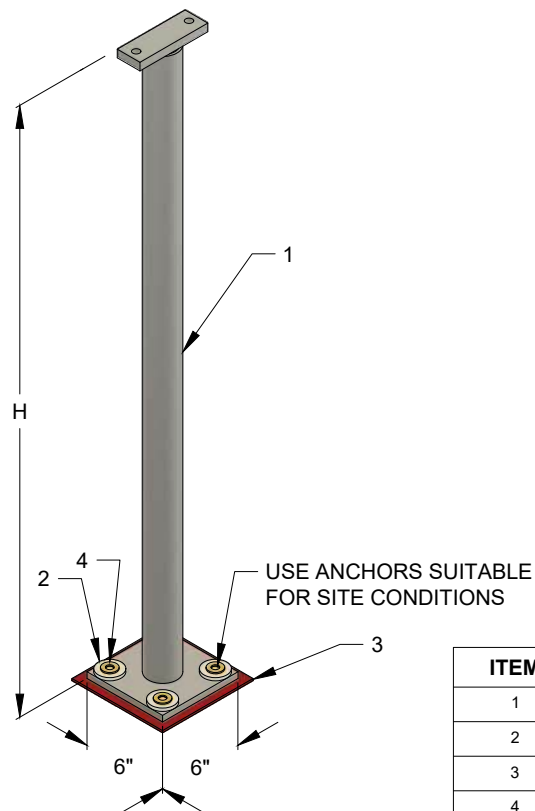
yyy IS IN INCHES AND FOR ANY H THE LENGTH OF ITEM 1(XXX) IS H MINUS 4.25"

OPTIONS:
-FOR SUPPORTING BAR TYPE FRAMING
CHANGE C TO B IN PART #

* ACTUAL H DIMENSION MAY BE ADJUSTED TO 4" HIGHER OR 2" LOWERER THAN SHOWN



AUX FRAMING SUPT (WELDED AND ISOLATED)



NOTES:

-MATERIAL: STEEL, WELDED

-FINISH: MTP GRAY POWDER

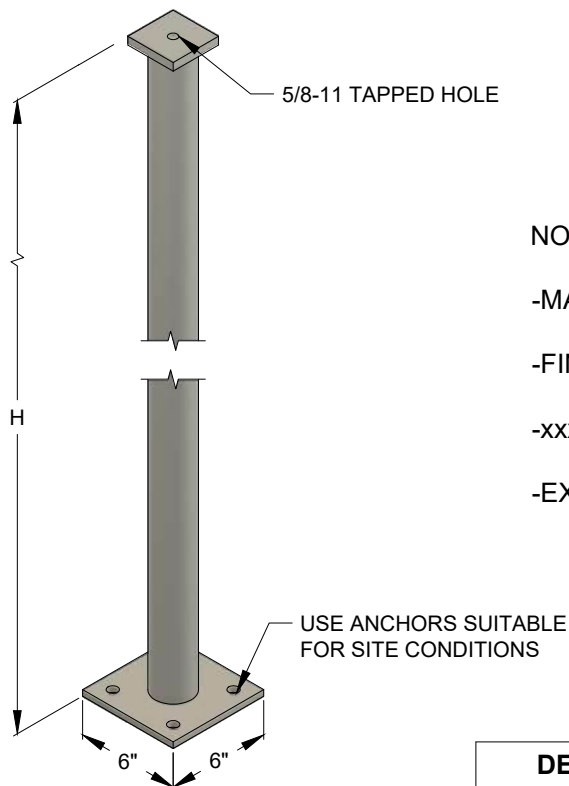
-xxx = H IN INCHES

-EXAMPLE

FOR H = 88", PART # IS **AFS-088NWK**

ITEM	DESCRIPTION	AFS-xxxNWK
1	1.5" PIPE STANCHION	1
2	INSULATING BUSHING FOR 3/8 BOLT	4
3	ISOLATION PAD, 6" x 6"	1
4	3/8 STEEL FLAT WASHER ZY	4

AUX FRAMING SUPT (WELDED)



NOTES:

-MATERIAL: STEEL, WELDED

-FINISH: MTP GRAY POWDER

-xxx = H IN INCHES

-EXAMPLE

FOR H = 88", PART # IS **AFS-088PW**

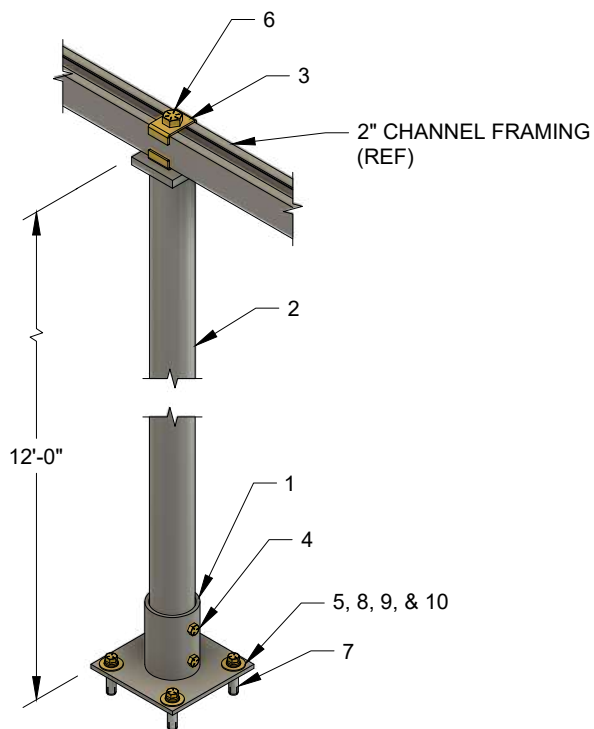
DESCRIPTION	QUANTITY	PART #
2" PIPE STANCHION	1	AFS-xxxPW

(03/11/22)



Moreng Telecom Products
973-237-2001
www.morengtel.com

AUX FRAMING SUPPORT (UNIVERSAL) GRAY



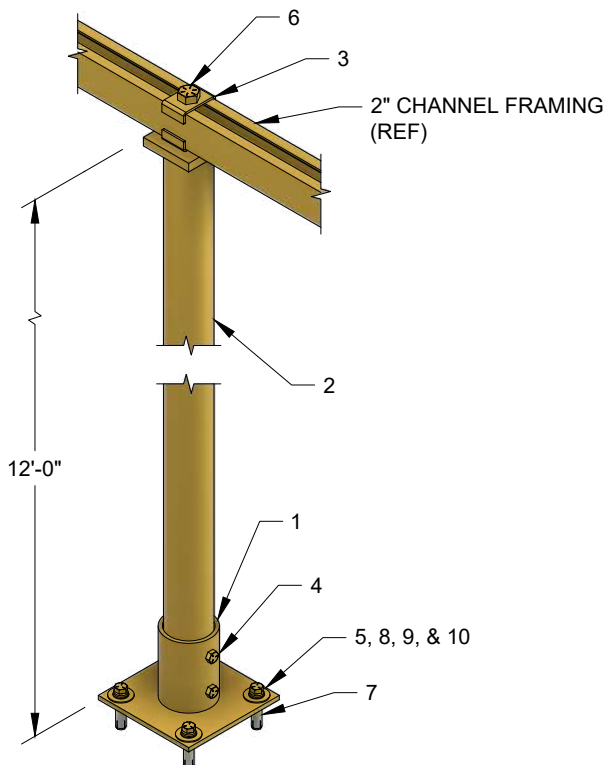
ITEM	DESCRIPTION	QTY
1	BASE PLATE	1
2	2" PIPE ASSEMBLY	1
3	2" x 5/8 CHANNEL CLIP	2
4	3/8-16 x 1/2 HHCS, GRADE 5, ZY	2
5	3/8-16 x 1-1/2 HHCS, GRADE 5, ZY	4
6	5/8-11 x 3-1/4 HHCS, GRADE 5, ZY	1
7	3/8-16 EXPANSION SHIELD	4
8	3/8 FLAT WASHER, ZY	4
9	1/2 FLAT WASHER, ZY	4
10	3/8 LOCK WASHER, ZY	4

NOTES:

- MATERIAL: STEEL, WELDED
- FINISH: MTP GRAY POWDER
- CUT TO EXACT HEIGHT IN FIELD

AFS-230-144K

AUX FRAMING SUPPORT (UNIVERSAL) ZINC YELLOW



ITEM	DESCRIPTION	QTY
1	BASE PLATE, ZY	1
2	2" PIPE ASSEMBLY, ZY	1
3	2" x 5/8 CHANNEL CLIP	2
4	3/8-16 x 1/2 HHCS, GRADE 5, ZY	2
5	3/8-16 x 1-1/2 HHCS, GRADE 5, ZY	4
6	5/8-11 x 3-1/4 HHCS, GRADE 5, ZY	1
7	3/8-16 EXPANSION SHIELD	4
8	3/8 FLAT WASHER, ZY	4
9	1/2 FLAT WASHER, ZY	4
10	3/8 SPRING LOCK WASHER, ZY	4

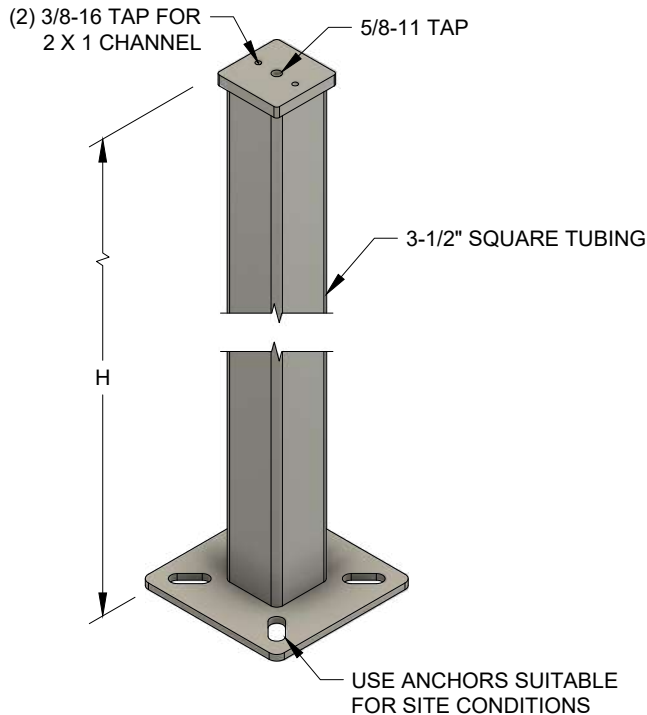
NOTES:

- MATERIAL: STEEL, WELDED
- FINISH: ZINC-YELLOW CHROMATE
- CUT TO EXACT HEIGHT IN FIELD

AFS-230-144K-Y



AUX FRAMING SUPT (WELDED)



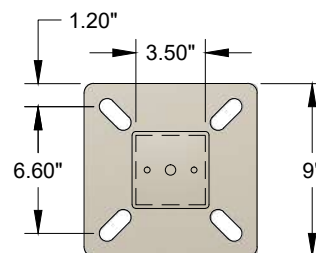
NOTES:

-MATERIAL: STEEL, WELDED

-FINISH: MTP GRAY POWDER

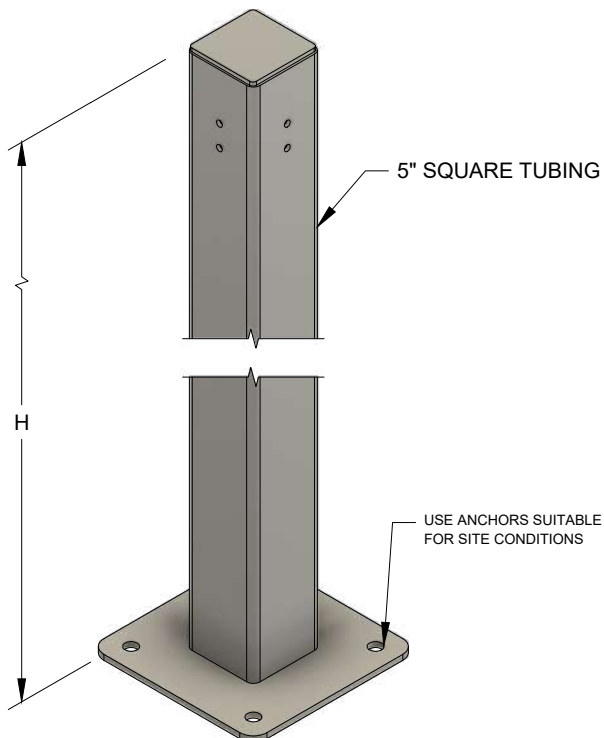
-xxx IS H IN INCHES

EXAMPLE: H = 88", AFS-088EQ



TYPE	H	PART #
STANDARD	90"	AFS-090EQ
VARIABLE	xxx"	AFS-xxxEQ

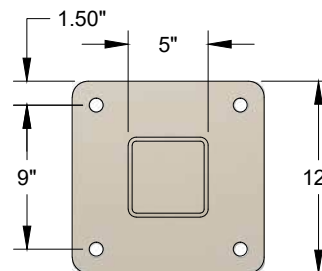
AUX FRAMING SUPT (WELDED) AT&T SEISMIC



NOTES:

-MATERIAL: STEEL, WELDED

-FINISH: MTP GRAY POWDER



H	GRAY	WHITE
89.62"	AFS-090ESG	AFS-090ESW
113.62"	AFS-114ESG	AFS-114ESW

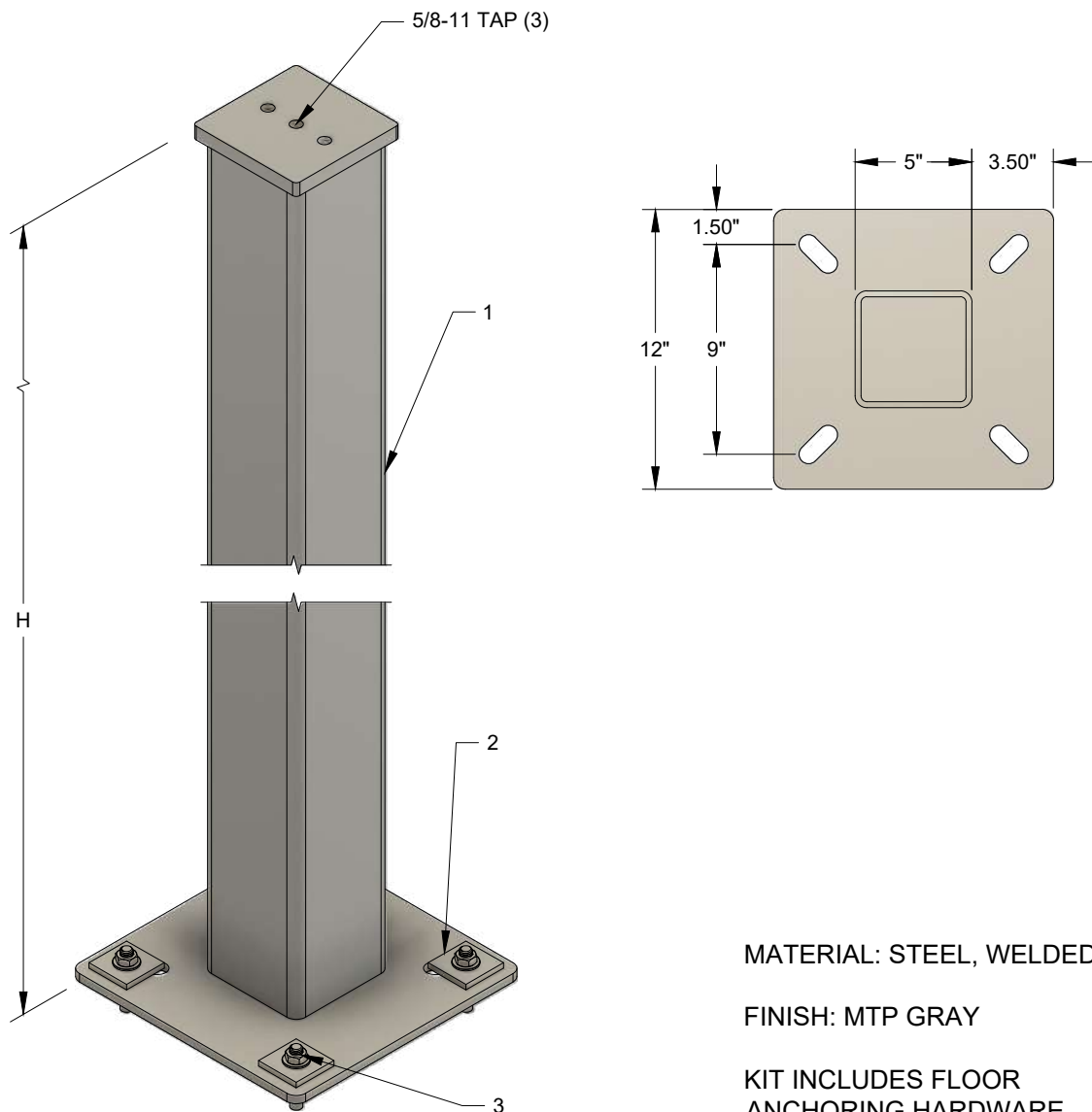
(03/11/22)



Moreng Telecom Products
973-237-2001
www.morengtel.com

SEISMIC AUX FRAMING SUPPORT KITS

(GR1502 & GR1275)



MATERIAL: STEEL, WELDED

FINISH: MTP GRAY

KIT INCLUDES FLOOR ANCHORING HARDWARE

xxx = H, HEIGHT NEEDED

AFS-xxxE = NO ANCHORS

AFS-xxxEK = ANCHORS

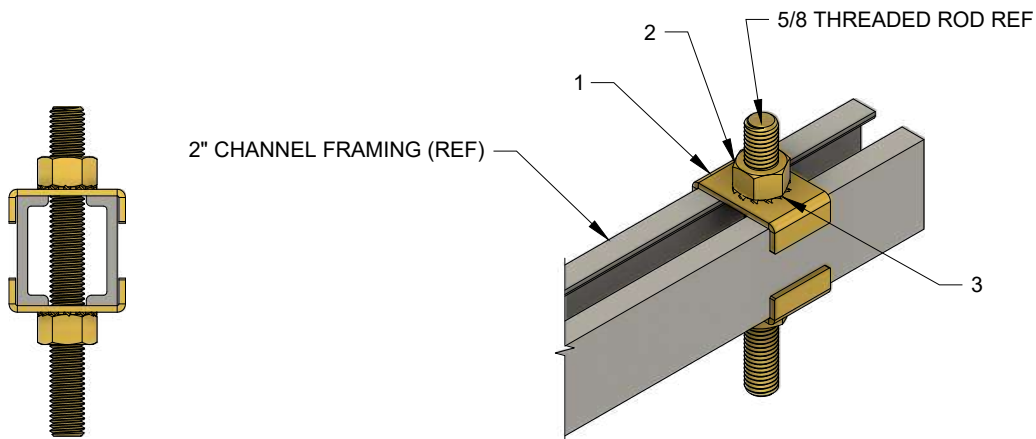
ITEM	DESCRIPTION	AFS-xxxE	AFS-xxxEK
1	FRAMING SUPPORT	1	1
2	WASHER PLATES		4
3	HILTI HSLB M12/25 ANCHOR		4

(04/08/22)



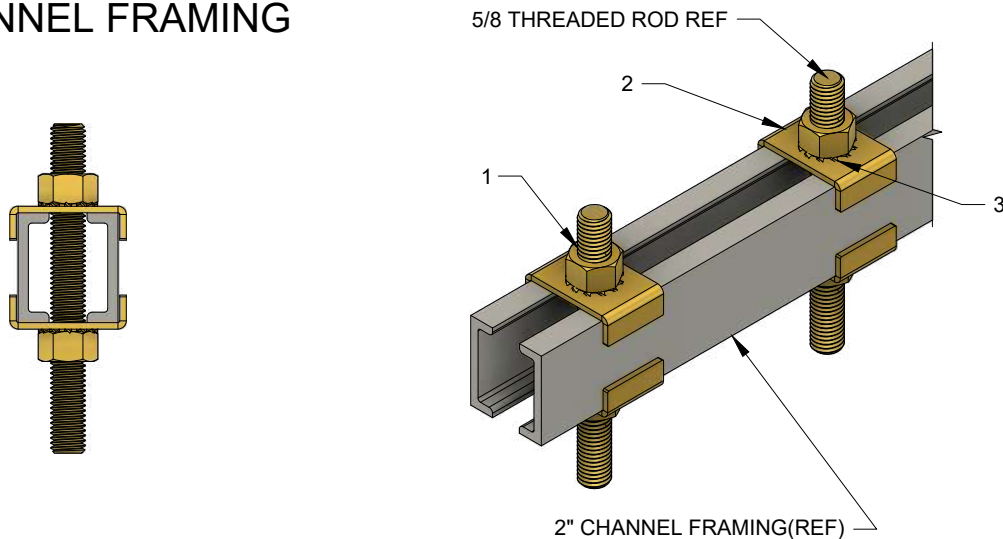
Moreng Telecom Products
 973-237-2001
 www.morengtel.com

5/8 HANGER ROD CONNECTION TO 2" CHANNEL FRAMING



ITEM	DESCRIPTION	SFH-100	SFH-100E
1	2" x 5/8 CHANNEL CLIP	2	2
2	5/8-11 HEAVY STEEL HEX NUT, GRADE 5, ZY	2	2
3	5/8 EXTERNAL TOOTH LOCK WASHER, ZY		2

5/8 HANGER ROD CONNECTION TO 2" CHANNEL FRAMING (2 PLACES)



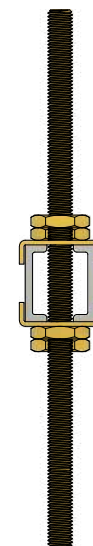
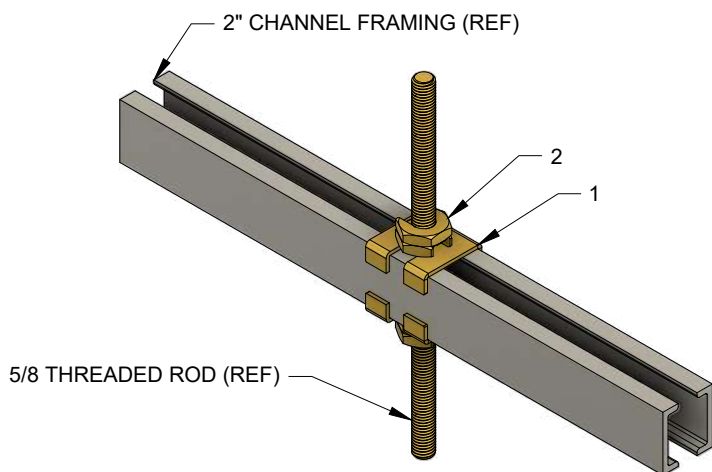
ITEM	DESCRIPTION	SFH-101	SFH-101E
1	2" x 5/8 CHANNEL CLIP	4	4
2	5/8-11 HEAVY STEEL HEX NUT, GRADE 5, ZY	4	4
3	5/8 EXTERNAL TOOTH LOCK WASHER, ZY		4

(03/28/24)



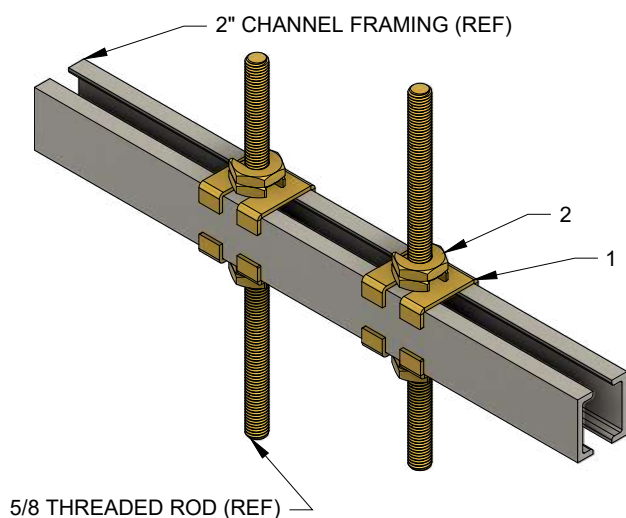
Moreng Telecom Products
 973-237-2001
www.morengtel.com

EXISTING $\frac{5}{8}$ HANGER ROD CONNECTION TO 2" CHANNEL FRAMING



ITEM	DESCRIPTION	SFH-100M
1	CHANNEL CLIP, EXISTING THREADED ROD	2
2	5/8-11 SPLIT HEX NUT, ZY	2

EXISTING $\frac{5}{8}$ HANGER ROD CONNECTION TO 2" CHANNEL FRAMING (2 PLACES)



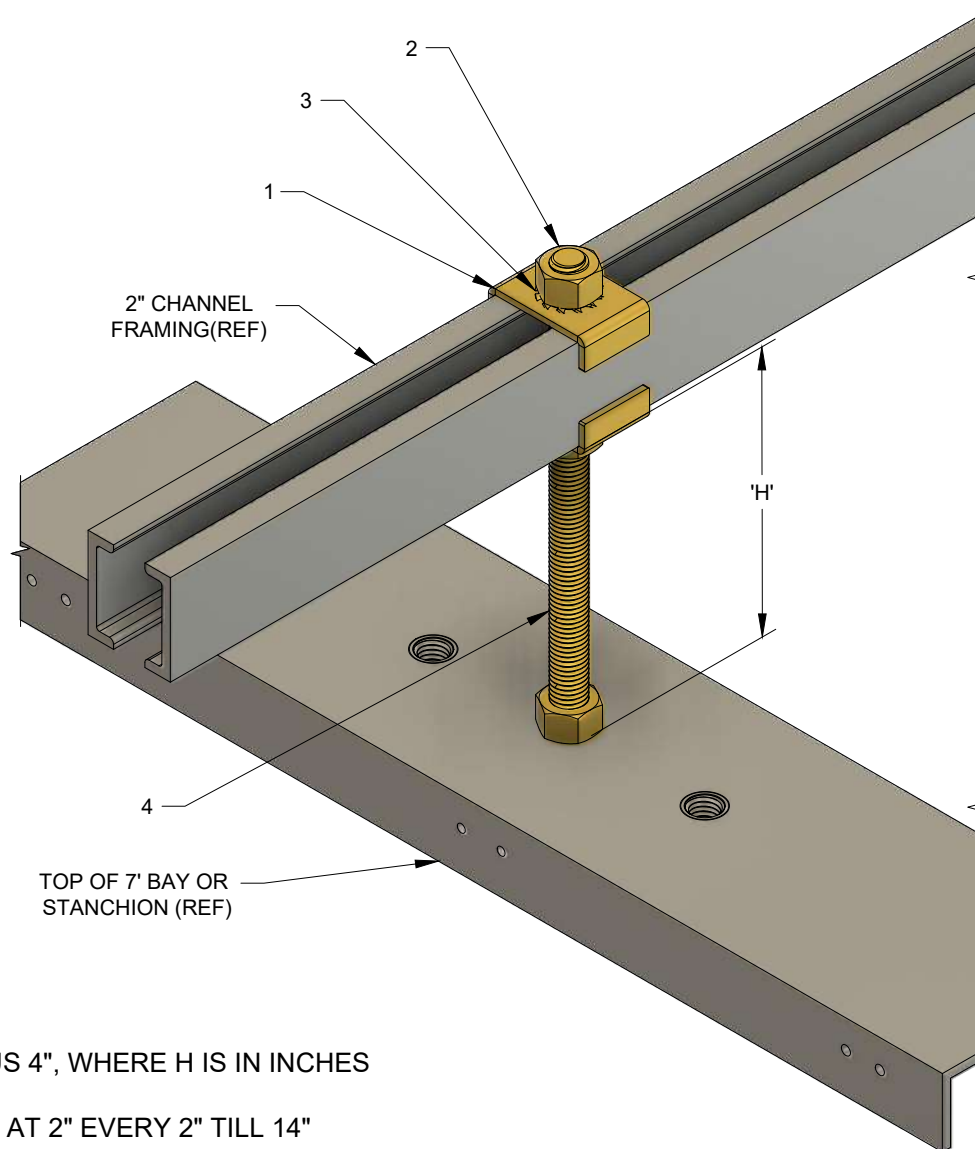
ITEM	DESCRIPTION	SFH-101M
1	CHANNEL CLIP, EXISTING THREADED ROD	4
2	5/8-11 SPLIT HEX NUT, ZY	4

(04/03/24)



Moreng Telecom Products
973-237-2001
www.morengtel.com

TOP OF 7' BAY OR STANCHION CONNECTION TO 2" CHANNEL FRAMING (VARIABLE HEIGHTS)



-xx = H PLUS 4", WHERE H IS IN INCHES

-H STARTS AT 2" EVERY 2" TILL 14"

-H = 20" IS ALSO AVAILABLE

-OTHER H ARE AVAILABLE

-SFH-100K HAS NO THREADED ROD

-ADDING E TO END OF PART # WILL ADD WASHERS (SEE TABLE)

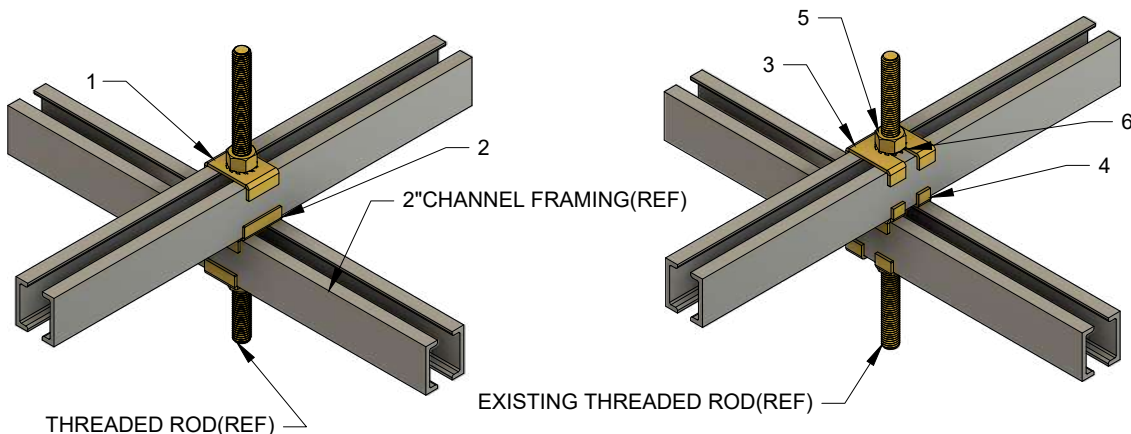
ITEM	DESCRIPTION	SFH-100K	SFH-100Kxx	ADD E FOR WASHERS
1	2" x 5/8 CHANNEL CLIP	2	2	
2	5/8-11 HEAVY STEEL HEX NUT, ZY	4	3	
3	5/8 EXTERNAL TOOTH LOCK WASHER, ZY			3
4	5/8-11 HANGER ROD, ZY		1	

(04/08/22)



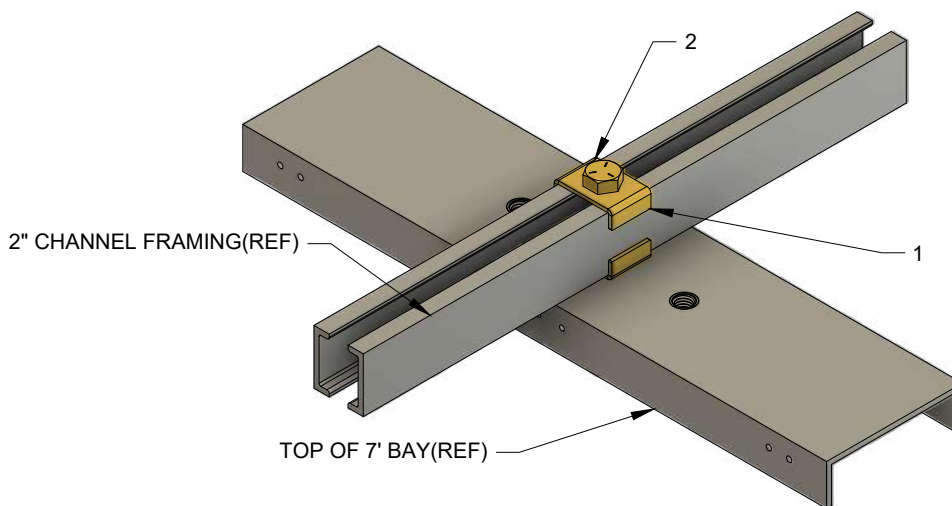
Moreng Telecom Products
 973-237-2001
 www.morengtel.com

PERPENDICULAR 2" CHANNEL FRAMING CONNECTION TO 5/8" HANGER ROD (NEW AND EXISTING)



ITEM	DESCRIPTION	SFH-102	SFH-102E	SFH-102M	SFH-102ME
1	2" x 5/8 CHANNEL CLIP	2	2		
2	2" x 5/8 CHANNEL CLIP, PERPENDICULAR CONNECTION	1	1		
3	2" x 5/8 CHANNEL CLIP, EXISTING HANGER ROD			2	2
4	2" x 5/8 CHANNEL CLIP, PERP CONNECTION, EXISTING HANGER ROD			1	1
5	5/8-11 HEAVY STEEL HEX NUT, ZY	2	2	2	2
6	5/8 EXTERNAL TOOTH LOCK WASHER, ZY		2		2

TOP OF 7' BAY TO 2" CHANNEL FRAMING



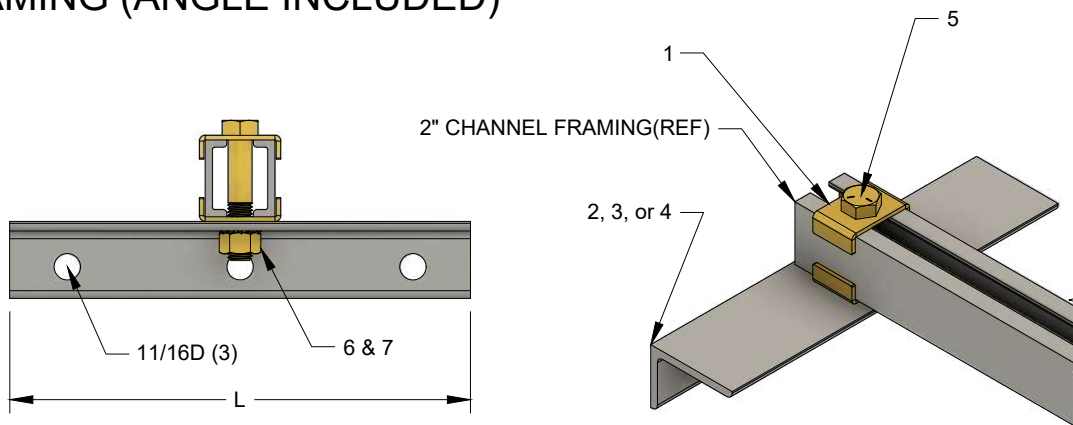
ITEM	DESCRIPTION	SFH-103
1	2" x 5/8 CHANNEL CLIP	2
2	5/8-11 x 3-1/2 GRADE 5 HEX BOLT, ZY	1

(04/03/24)



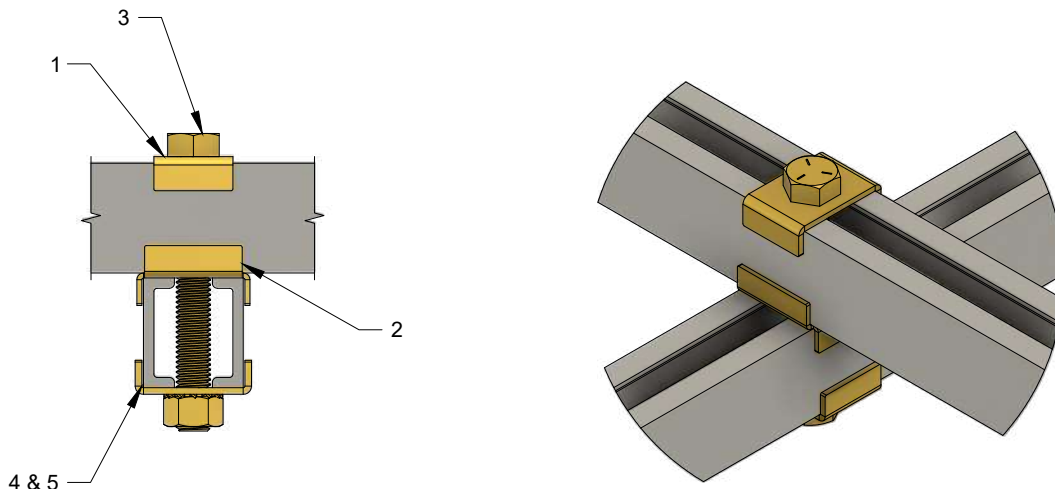
Moreng Telecom Products
973-237-2001
www.morengtel.com

WALL ANGLE CONNECTION TO 2" CHANNEL FRAMING (ANGLE INCLUDED)



ITEM	DESCRIPTION	SFH-105	SFH-105Y	SFH-105NK
1	2" x 5/8 CHANNEL CLIP	2	2	2
2	L = 12", 2" x 3" x 1/4 ANGLE, GRAY	1		
3	L = 12", 2" x 3" x 1/4 ANGLE, ZY		1	
4	L = 6", 2" x 2" x 1/4 ANGLE, GRAY			1
5	5/8-11 x 3-1/4 GRADE 5 HEX BOLT, ZY	1	1	1
6	5/8-11 HEAVY STEEL HEX NUT, ZY	1	1	1
7	5/8 EXTERNAL TOOTH LOCK WASHER, ZY	1	1	1
8	3/8 EXTERNAL TOOTH LOCK WASHER, ZY			2
9	3/8-16 X 2-1/2 GRADE 5 HEX BOLT, ZY			2

PERPENDICULAR 2" CHANNEL FRAMING CONNECTION WITH 5/8 BOLT



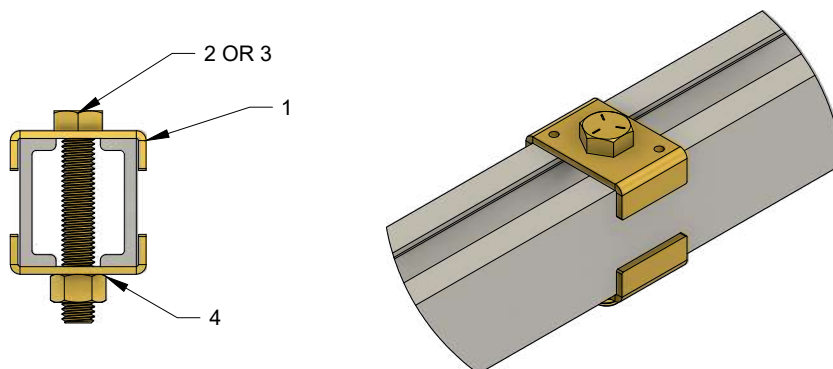
ITEM	DESCRIPTION	SFH-107	SFH-107E
1	2" x 5/8 CHANNEL CLIP	2	2
2	2" x 5/8 CHANNEL CLIP, PERPENDICULAR CONNECTION	1	1
3	5/8-11 x 5 GRADE 5 HEX BOLT, ZY	1	
4	5/8-11 x 5-1/4 GRADE 5 HEX BOLT, ZY		1
5	5/8-11 HEAVY STEEL HEX NUT, ZY	1	1
6	5/8 EXTERNAL TOOTH LOCK WASHER, ZY		1

(04/03/24)



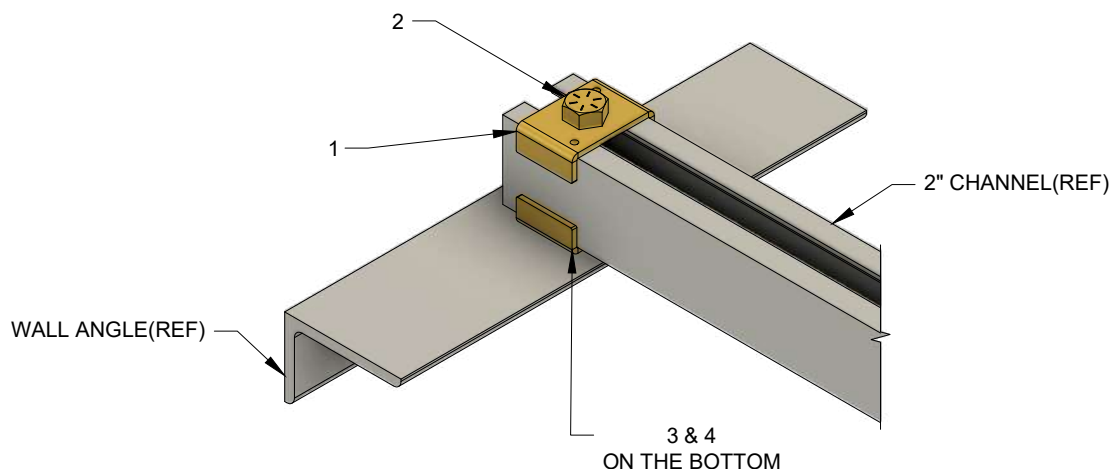
Moreng Telecom Products
973-237-2001
www.morengtel.com

END CLIP KIT FOR 2" CHANNEL FRAMING



ITEM	DESCRIPTION	SFH-108	SFH-108L	SFH-108Q
1	1/2" CHANNEL CLIP	2	2	2
2	1/2-13 x 3 HEX BOLT, GRADE 5, ZY	1		1
3	1/2-13 x 3.5 HEX BOLT, GRADE 5, ZY		1	
4	1/2-13 HEX NUT, GRADE 5, ZY	1	1	1

2" FRAMING CHANNEL CONNECTION TO STEEL WALL ANGLE



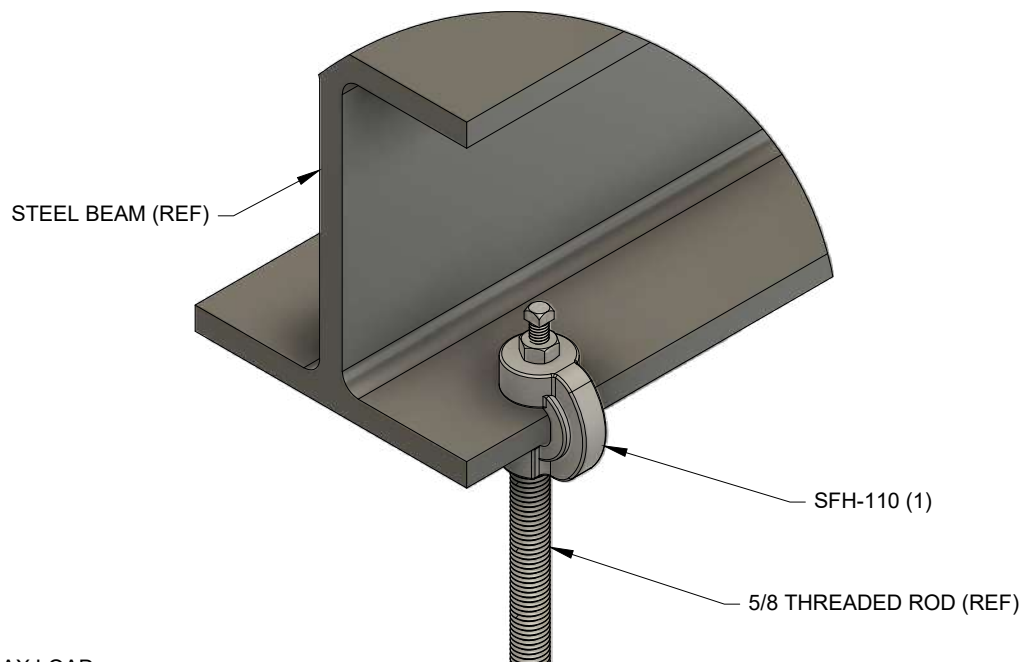
ITEM	DESCRIPTION	SFH-109
1	1/2" CHANNEL CLIP	2
2	1/2-13 x 3.25 HEX BOLT, GRADE 5, ZY	1
3	1/2-13 HEX NUT, GRADE 5, ZY	1
4	1/2 EXTERNAL TOOTH LOCK WASHER, ZY	1

(11/08/24)



Moreng Telecom Products
973-237-2001
www.morengtel.com

5/8 HANGER ROD CONNECTION TO STEEL BEAM (SINGLE)



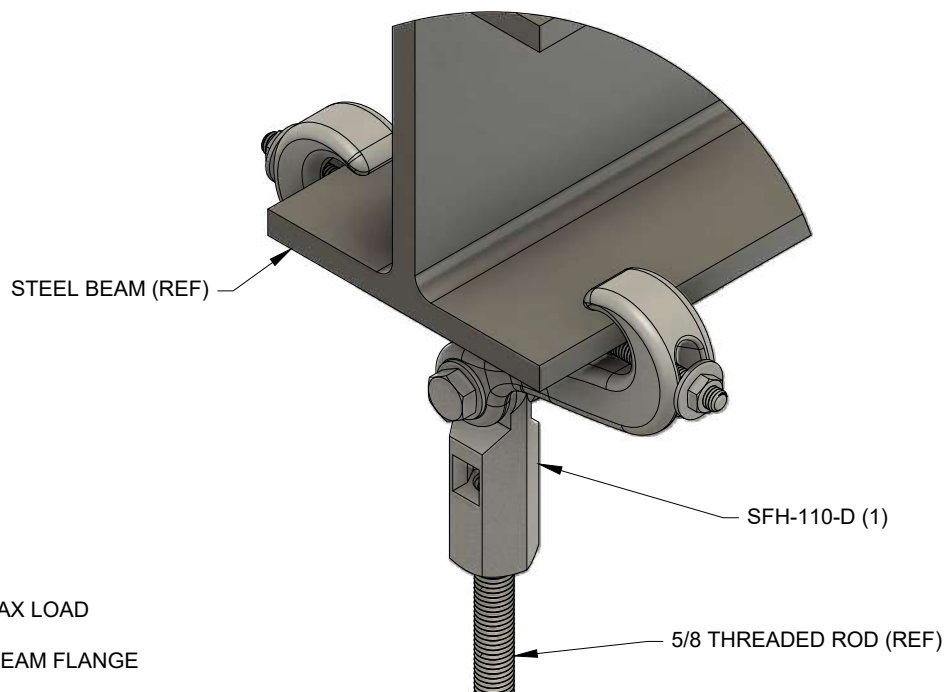
NOTES:

-400 LBS MAX LOAD

-3/4" MAX BEAM FLANGE THICKNESS

SFH-110

5/8 HANGER ROD CONNECTION TO STEEL BEAM (DOUBLE)



NOTES:

-1365 LBS MAX LOAD

-9/16" MAX BEAM FLANGE THICKNESS

-7" MAX BEAM FLANGE WIDTH

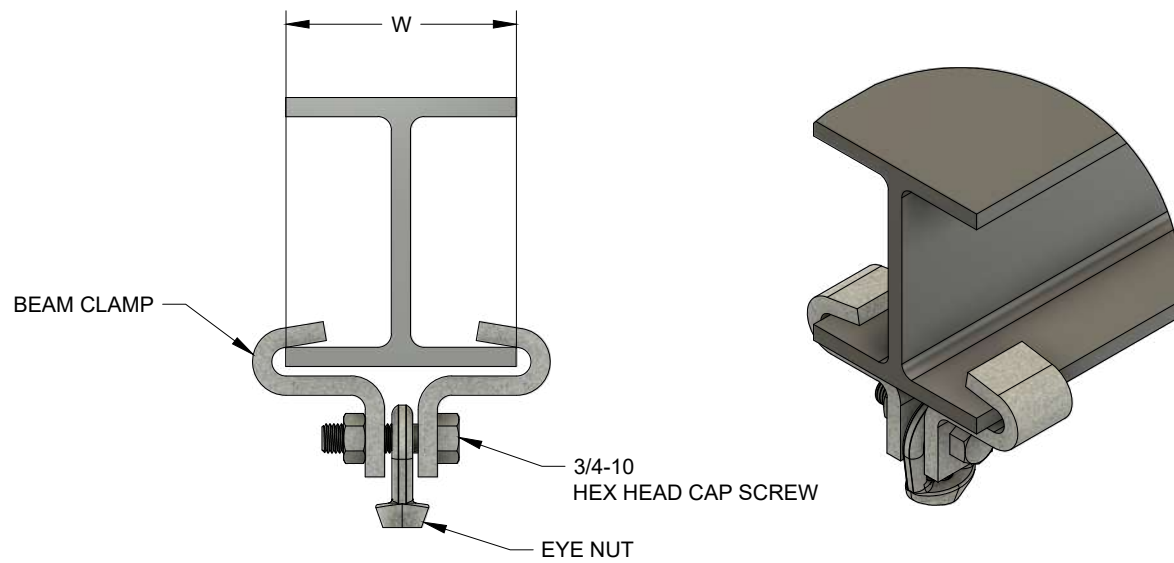
SFH-110-D

(04/22/22)



Moreng Telecom Products
973-237-2001
www.morengtel.com

5/8 HANGER ROD CONNECTION TO STEEL BEAM(DOUBLE)



NOTES:

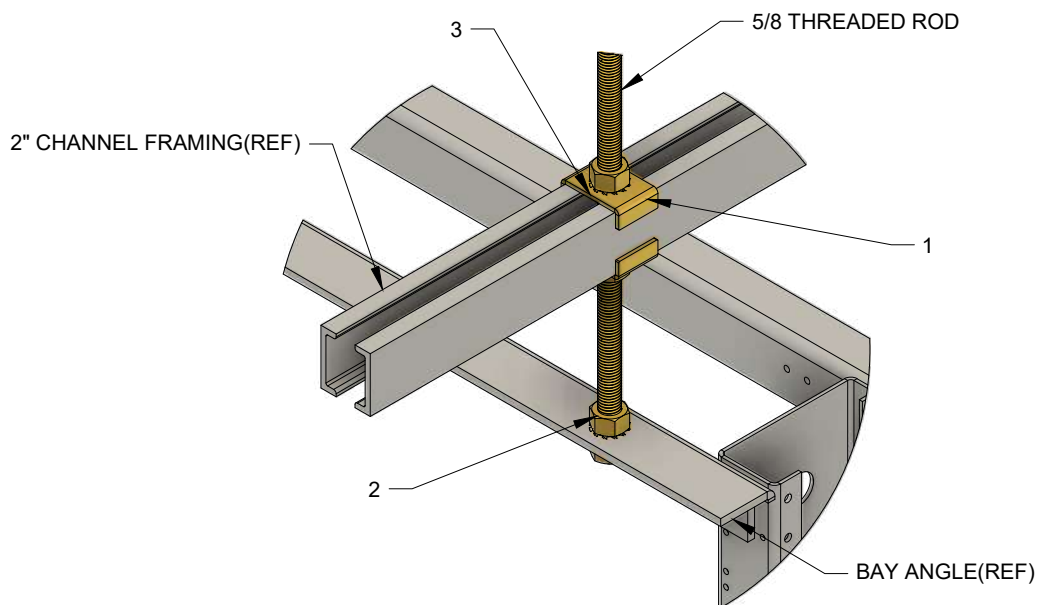
-GALVANIZED STEEL

-3/4" MAX BEAM FLANGE
THICKNESS

MAX LOAD	FLANGE WIDTH (W)	PART #
1000 LBS	4"	SFH-110-4
3000 LBS	6"	SFH-110-6
3000 LBS	7"	SFH-110-7
3000 LBS	8"	SFH-110-8

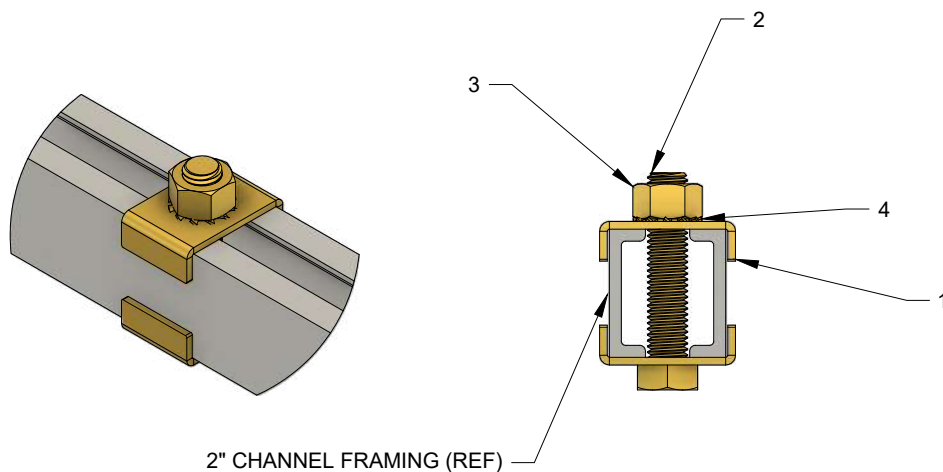


ROD TO CEILING KIT DOUBLE LEVEL FRAMING



ITEM	DESCRIPTION	SFH-111
1	5/8 x 2" CHANNEL CLIP	2
2	5/8-11 HEAVY HEX NUT, GRADE 5, ZY	4
3	5/8 EXTERNAL TOOTH LOCK WASHER, ZY	4

STIFFENING CLIP KITS FOR 2" CHANNEL FRAMING



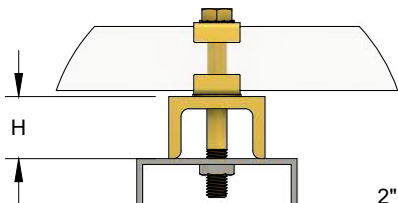
ITEM	DESCRIPTION	SFH-112	SFH-112E
1	5/8 x 2" CHANNEL CLIP	2	2
2	5/8-11 x 3" HEX BOLT, GRADE 5, ZY	1	1
3	5/8-11 HEAVY HEX NUT, GRADE 5, ZY	1	1
4	5/8 EXTERNAL TOOTH LOCK WASHER, ZY		1

(04/03/24)

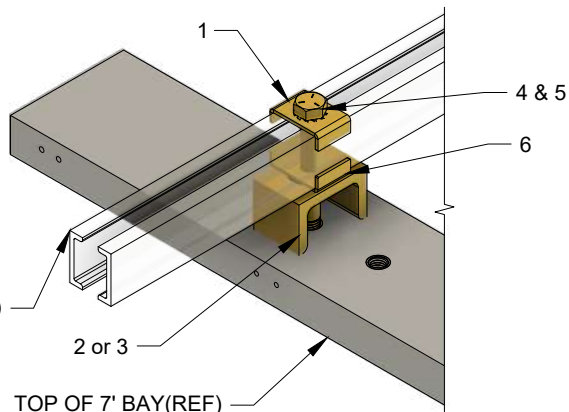


Moreng Telecom Products
 973-237-2001
www.morengtel.com

TOP OF 7' BAY CONNECTION TO 2" CHANNEL FRAMING WITH SPACER



2" CHANNEL FRAMING(REF)



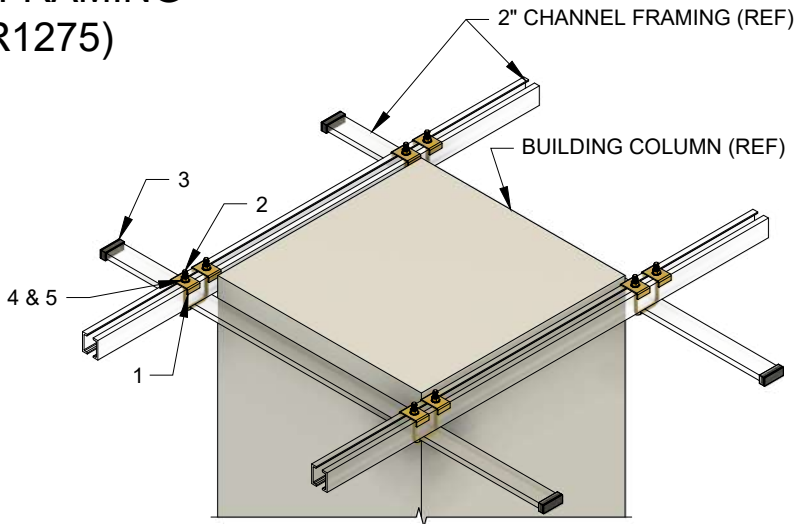
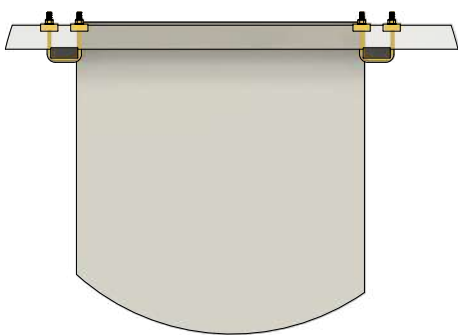
TOP OF 7' BAY(REF)

ITEM	DESCRIPTION	SFH-113	SFH-114
1	2" x 5/8 CHANNEL CLIP	2	2
2	2" SPACER	1	
3	1.25" SPACER		1
4	5/8-11 x 5-1/2 HEX BOLT, GRADE 5, ZY	1	
5	5/8 EXTERNAL TOOTH LOCK WASHER, ZY	1	
6	5/8 STEEL FLAT WASHER, ZY	2	
7	5/8-11 X 4-1/2 HEX BOLT, GRADE 5, ZY		1

SFH-113, H = 2"

SFH-114, H = 1.25"

BRACING OF 2" CHANNEL FRAMING AT BUILDING COLUMN (GR1275)



ITEM	DESCRIPTION	SFH-117
1	2" x 3/8 CHANNEL CLIP	8
2	3/8 U-BOLT	4
3	2" CHANNEL FRAMING RUBBER END CAP	2
4	3/8-16 HEAVY HEX NUT, GRADE 5, ZY	8
5	3/8 EXTERNAL TOOTH LOCK WASHER, ZY	8

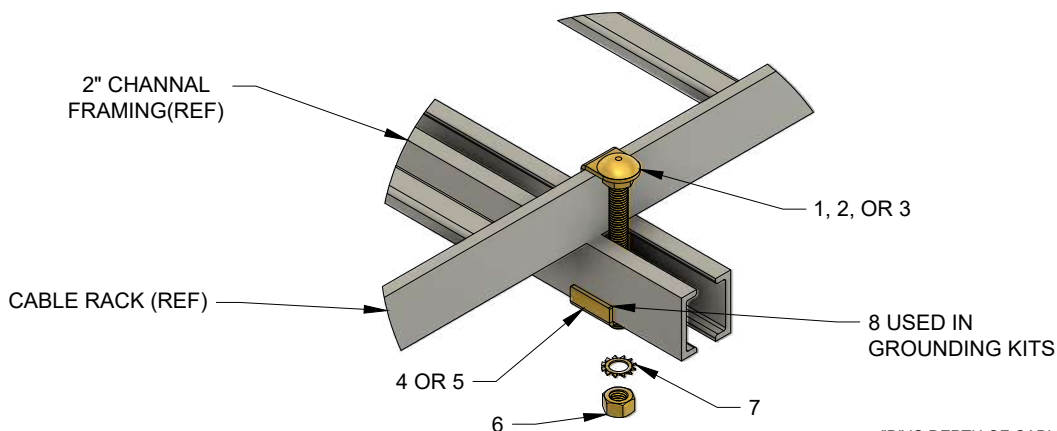
MAXIMUM PERPENDICULAR CHANNEL CONNECTION FROM COLUMN IS 6"

(04/03/24)



Moreng Telecom Products
973-237-2001
www.morengtel.com

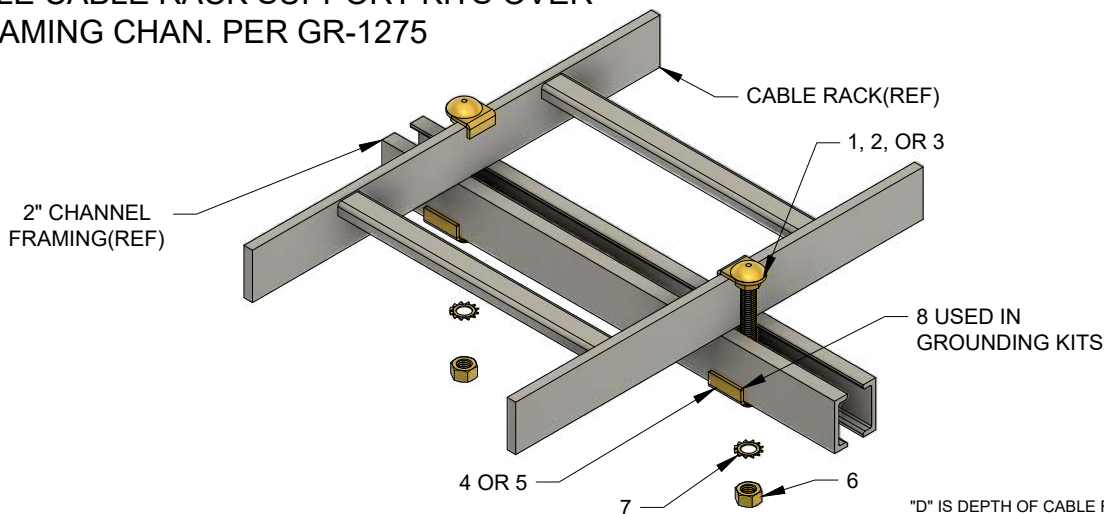
SINGLE CABLE RACK SUPPORT KITS OVER 2" FRAMING CHANNEL. PER GR-1275



"D" IS DEPTH OF CABLE RACK SIDE BAR

	D	1-1/2"	2"	2"
ITEM	DESCRIPTION	SFH-545K	SFH-550K	SFH-550KG
1	4.5" LOCK BOLT, ZY, G5	1		
2	5" LOCK BOLT, ZY G5		1	
3	5" LOCK BOLT GROUND, ZY G5			1
4	1/2" CHANNEL CLIP, ZY	1	1	
5	1/2" CHANNEL CLIP W/ GRND HOLES, ZY			1
6	1/2-13 NUT, ZY GR5	1	1	1
7	1/2-13 ET LOCK WASHER, ZY GR5	1	1	1
8	10-32 x 1/4" SET SCREW, ZY			3

SINGLE CABLE RACK SUPPORT KITS OVER 2" FRAMING CHAN. PER GR-1275



"D" IS DEPTH OF CABLE RACK SIDE BAR

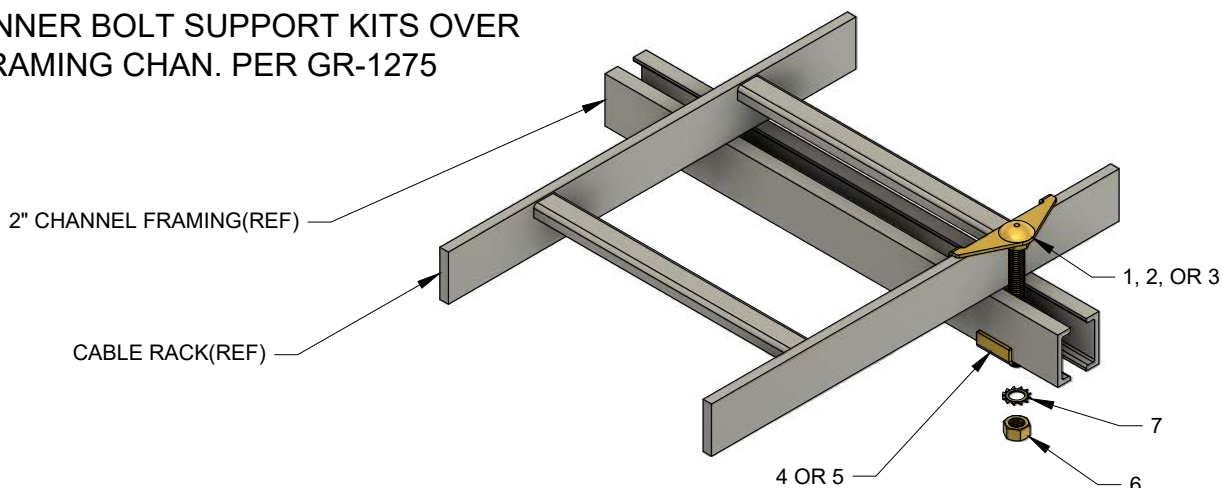
	D	1-1/2"	2"	2"
ITEM	DESCRIPTION	SFH-545K2	SFH-550K2	SFH-550KG2
1	4.5" LOCK BOLT, ZY, G5	2		
2	5" LOCK BOLT, ZY G5		2	
3	5" LOCK BOLT GROUND, ZY G5			2
4	1/2" CHANNEL CLIP, ZY	2	2	
5	1/2" CHANNEL CLIP W/ GRND HOLES, ZY			2
6	1/2-13 NUT, ZY GR5	2	2	2
7	1/2-13 ET LOCK WASHER, ZY GR5	2	2	2
8	10-32 x 1/4" SET SCREW, ZY			6

(03/30/23)



Moreng Telecom Products
973-237-2001
www.morengtel.com

**SINGLE CABLE RACK
SPANNER BOLT SUPPORT KITS OVER
2" FRAMING CHAN. PER GR-1275**

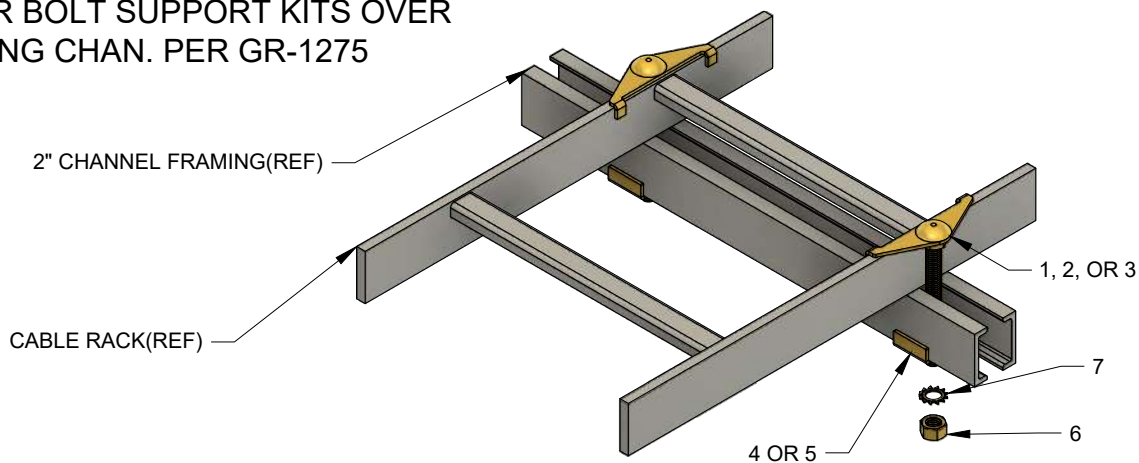


"D" IS DEPTH OF CABLE RACK SIDE BAR

ITEM	DESCRIPTION	D	1-1/2"	2"	2"
1	4.5" SPANNER BOLT, ZY G5		1		
2	5" SPANNER BOLT, ZY G5			1	
3	5" SPANNER BOLT W/ FRND HOLES, ZY G5				1
4	1/2" CHANNEL CLIP, ZY		1	1	
5	1/2" CHANNEL CLIP W/ GRND HOLES, ZY				1
6	1/2-13 NUT, ZY GR5		1	1	1
7	1/2-13 ET LOCK WASHER, ZY GR5		1	1	1
8	10-32 x 1/4" SET SCREW, ZY				2

LINE 8 USED FOR GROUNDING

**SINGLE CABLE RACK
SPANNER BOLT SUPPORT KITS OVER
2" FRAMING CHAN. PER GR-1275**



"D" IS DEPTH OF CABLE RACK SIDE BAR

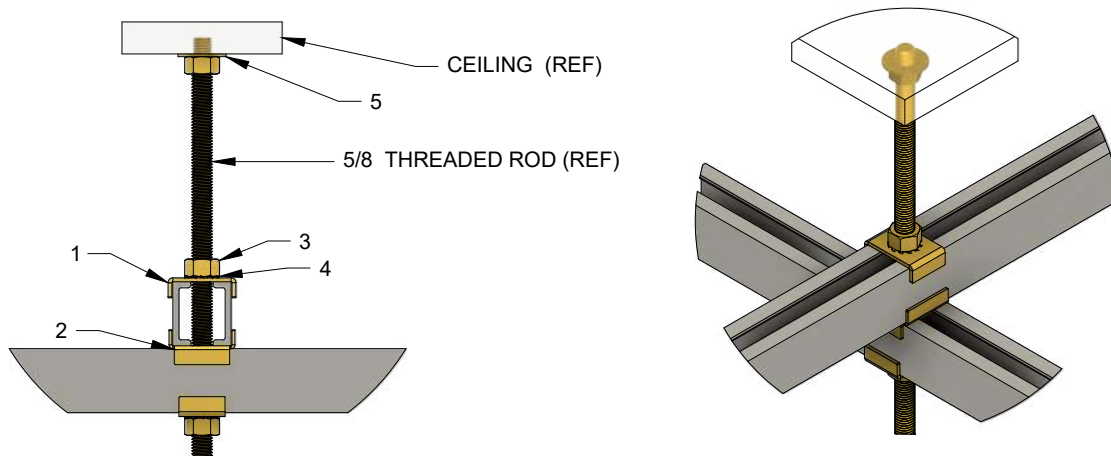
ITEM	DESCRIPTION	D	1-1/2"	2"	2"
1	4.5" SPANNER BOLT, ZY G5		2		
2	5" SPANNER BOLT, ZY G5			2	
3	5" SPANNER BOLT W/ GRND HOLES, ZY G5				2
4	1/2" CHANNEL CLIP, ZY		2	2	
5	1/2" CHANNEL CLIP W/ GRND HOLES, ZY				2
6	1/2-13 NUT, ZY GR5		2	2	2
7	1/2-13 ET LOCK WASHER, ZY GR5		2	2	2
8	10-32 x 1/4" SET SCREW, ZY				4

LINE 8 USED FOR GROUNDING

(03/30/23)

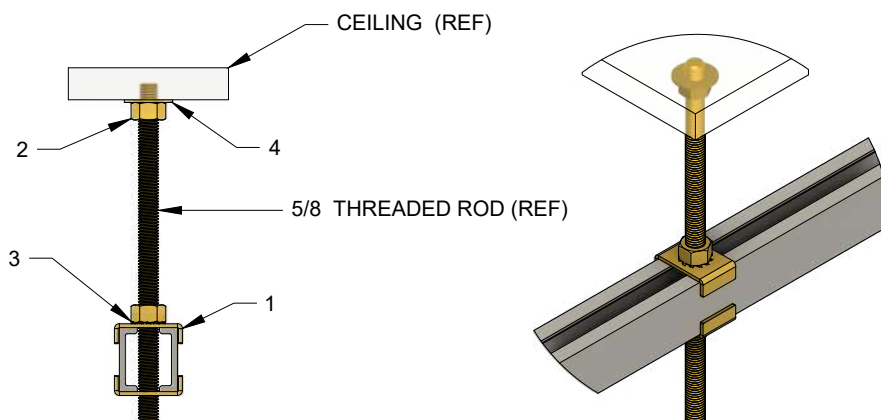


ROD TO CEILING KIT DOUBLE LEVEL FRAMING



ITEM	DESCRIPTION	SFH-777	SFH-777E
1	5/8 CHANNEL CLIP	2	2
2	5/8 CHANNEL CLIP, PERPENDICULAR INTERSECTION	1	1
3	5/8-11 HEAVY HEX NUT, GRADE 5, ZY	3	3
4	5/8 EXTERNAL TOOTH LOCK WASHER, ZY		1
5	5/8 STEEL FLAT WASHER, ZY	1	1

ROD TO CEILING KIT SINGLE LEVEL FRAMING



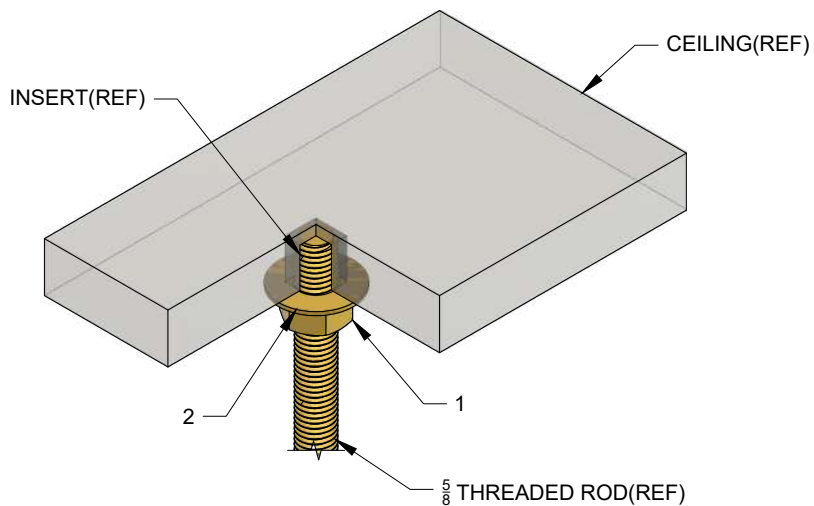
ITEM	DESCRIPTION	SFH-778	SFH-778E
1	5/8 CHANNEL CLIP	2	2
2	5/8-11 HEAVY HEX NUT, GRADE 5, ZY	3	3
3	5/8 EXTERNAL TOOTH LOCK WASHER, ZY		1
4	5/8 STEEL FLAT WASHER, ZY	1	1

(04/04/24)



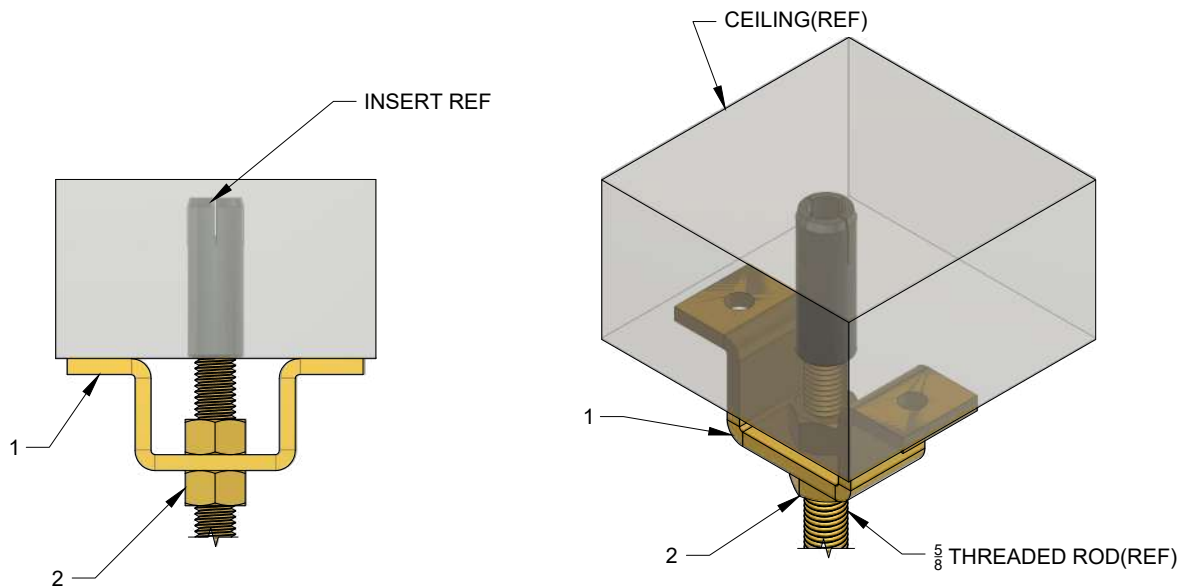
Moreng Telecom Products
973-237-2001
www.morengtel.com

NUT-WASHER KIT ROD/BOLT TO CEILING INSERT



ITEM	DESCRIPTION	NHC06211YK
1	5/8 HEX HUT, GRADE 5, ZY	1
2	5/8 STEEL FLAT WASHER, GRADE 5, ZY	1

HANGER BRACKET KIT ROD TO CEILING INSERT



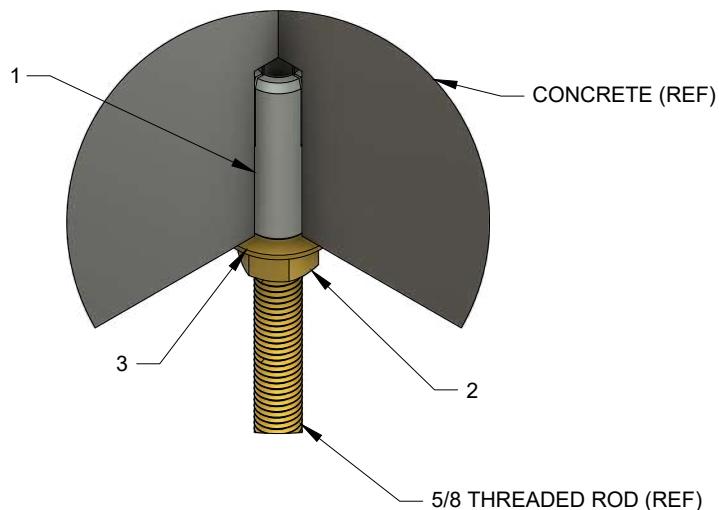
ITEM	DESCRIPTION	SFH-776K
1	CEILING BRACKET	1
2	5/8 HEX HUT, GRADE 5, ZY	2

(01/16/24)



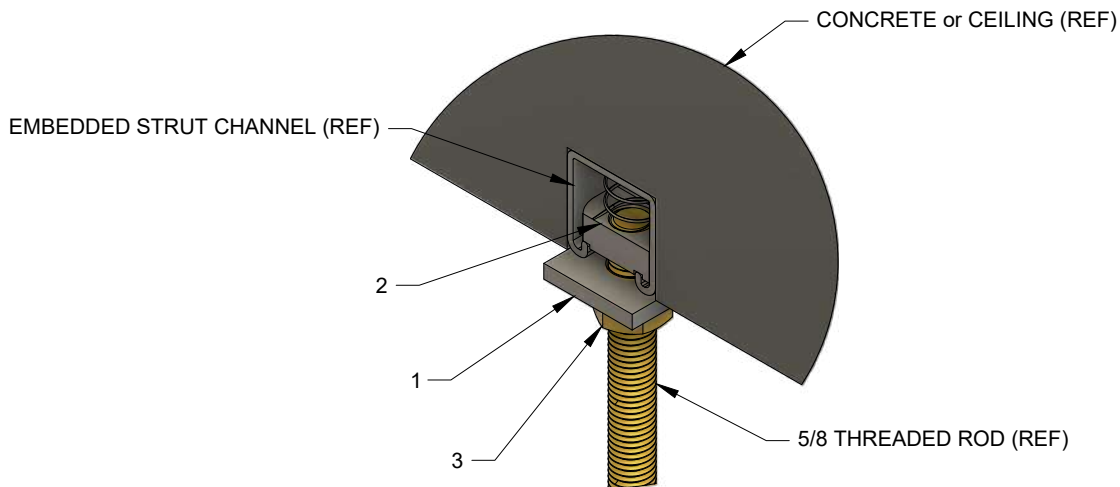
Moreng Telecom Products
973-237-2001
www.morengtel.com

ROD CEILING ANCHOR SHIELD IN CONCRETE



ITEM	DESCRIPTION	SFH-779
1	5/8-11 EXPANSION SHIELD (HILTI)	1
2	5/8-11 HEAVY HEX NUT, GRADE 5, ZY	1
3	5/8 STEEL FLAT WASHER, ZY	1

ROD CEILING ANCHOR INTO EMBEDDED CHANNEL PER GR-1275



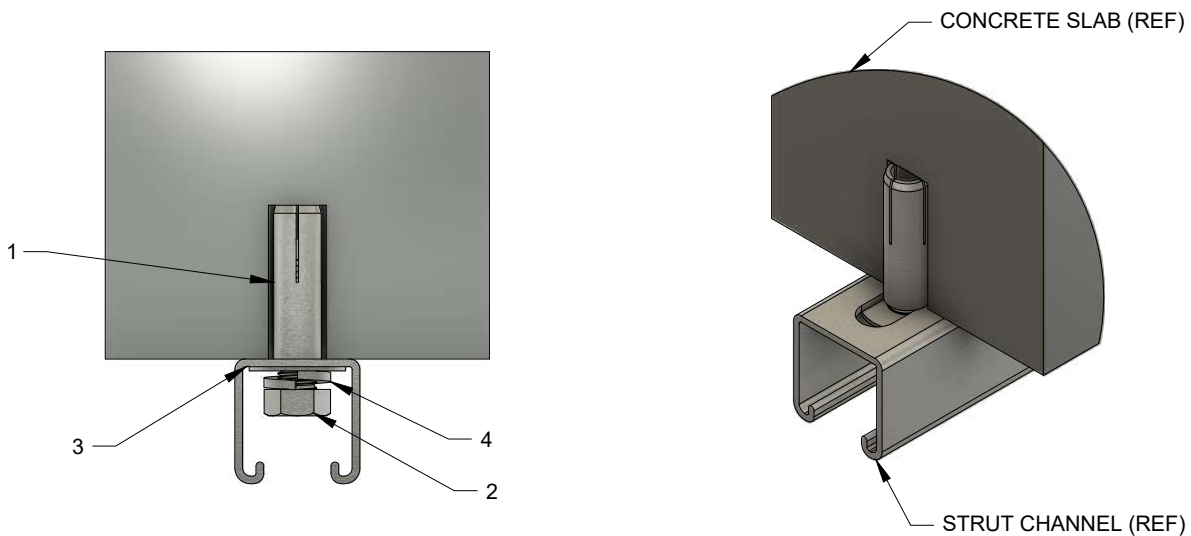
ITEM	DESCRIPTION	SFH-780
1	5/8-11 STRUT WASHER, ZC (1/4" SQUARE)	1
2	5/8 STRUT SPRING NUT	1
3	5/8-11 HEAVY HEX NUT, GRADE 5, ZY	1

(05/02/22)



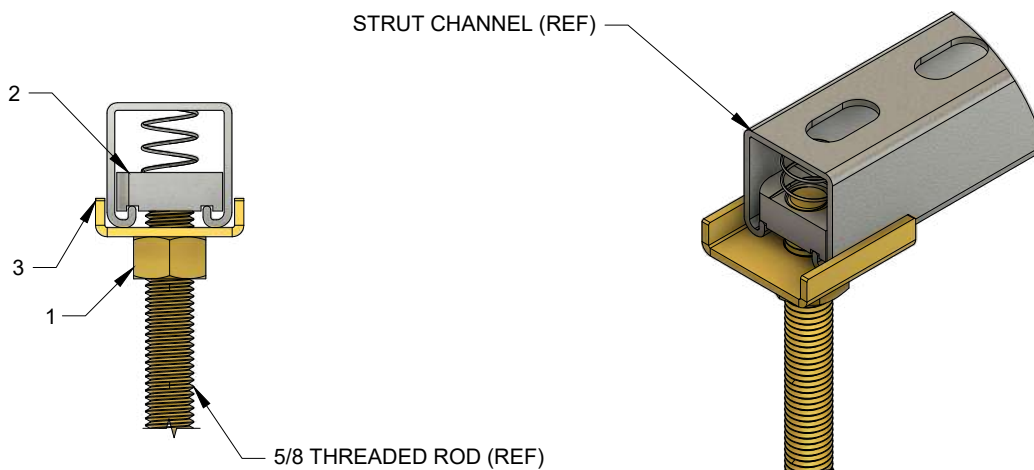
Moreng Telecom Products
973-237-2001
www.morengtel.com

STRUT CHANNEL ANCHOR KIT INTO CONCRETE SLAB



ITEM	DESCRIPTION	SFH-781
1	HILTI 1/2-13 ANCHOR	1
2	1/2-13 x 1-3/4 HEAVY HEX BOLT, GRADE 5, ZC	1
3	1/2 STEEL FLAT WASHER, ZC	1
4	1/2 STEEL SPRING LOCK WASHER, ZC	1

CONNECTION OF 5/8 ROD INTO 1-5/8" SQUARE STRUT



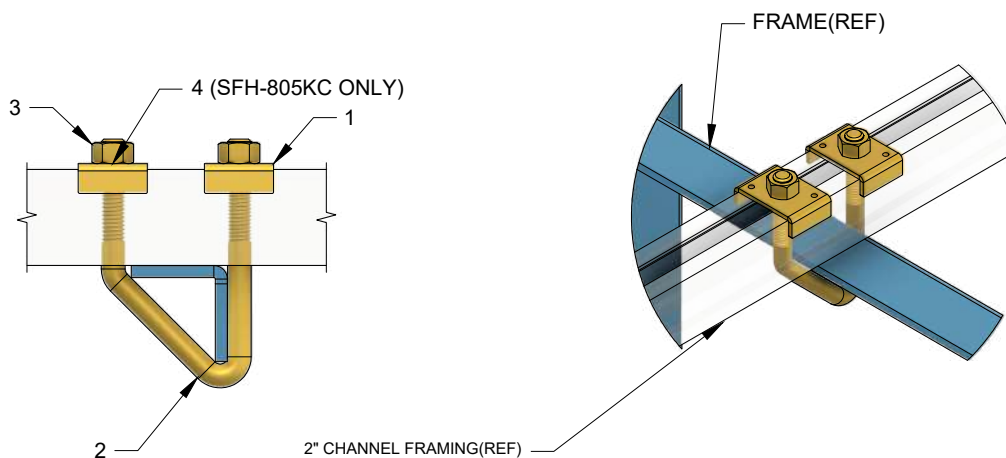
ITEM	DESCRIPTION	SFH-125K	SFH-125KS
1	5/8-11 HEAVY STEEL HEX NUT, GRADE 5, ZY	1	1
2	5/8 STRUT SPRING NUT		1
3	5/8 STRUT CLIP	1	1

(05/02/22)



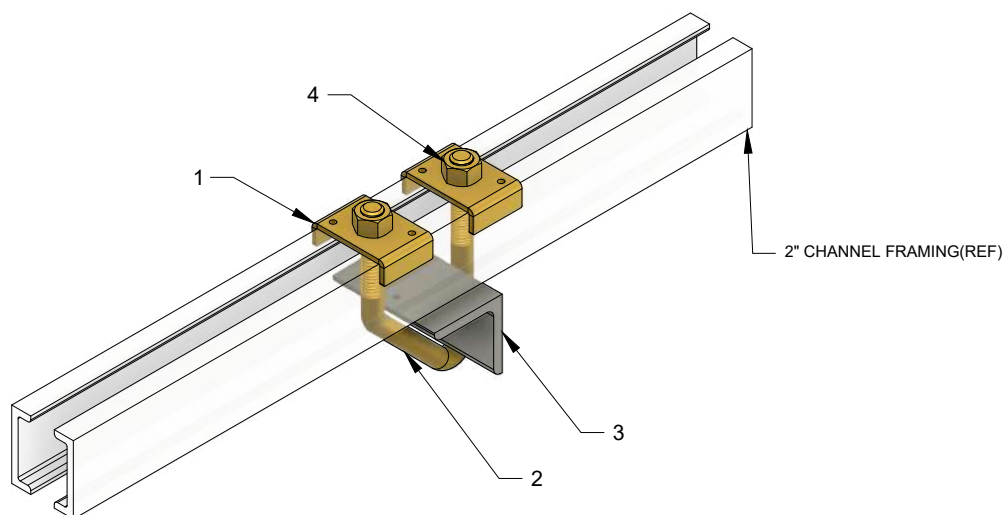
Moreng Telecom Products
973-237-2001
www.morengtel.com

FRAMEWORK ANGLE CONNECTION TO 2" CHANNEL FRAMING



ITEM	DESCRIPTION	SFH-805K	SFH-805KC
1	2" x 1/2 CHANNEL CLIP	2	2
2	1/2 x 5" V BOLT	1	1
3	1/2-13 HEAVY STEEL HEX NUT, ZY	2	2
4	1/2 EXTERNAL TOOTH LOCK WASHER, ZY		2

SUPPORT PIPE CONNECTION TO CHANNEL FRAMING(FUTURE FRAME LOCATION)



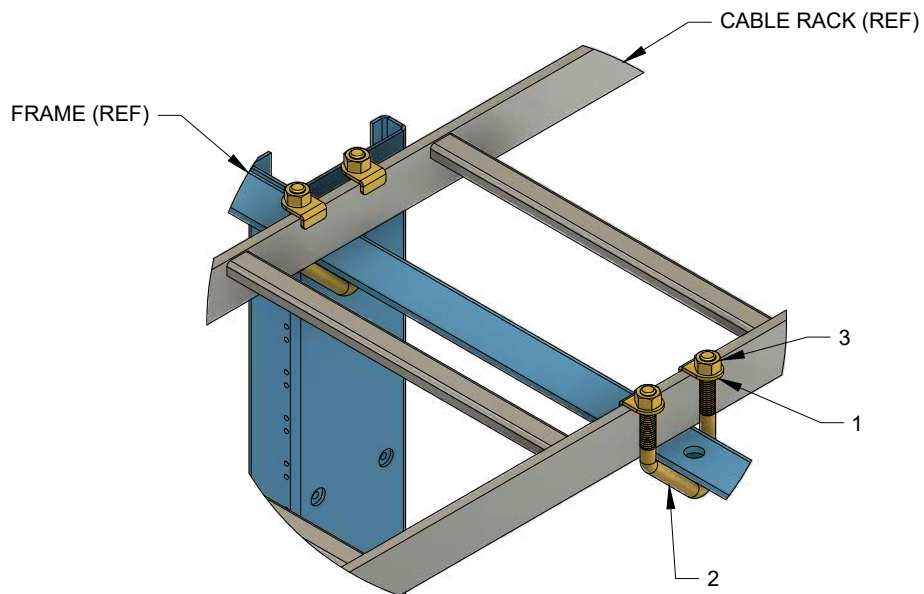
ITEM	DESCRIPTION	SFH-805KB
1	2" x 1/2 CHANNEL CLIP	2
2	1/2 x 5" V BOLT	1
3	ANGLE SPACER	1
4	1/2-13 HEAVY STEEL HEX NUT, ZY	2

(04/05/24)



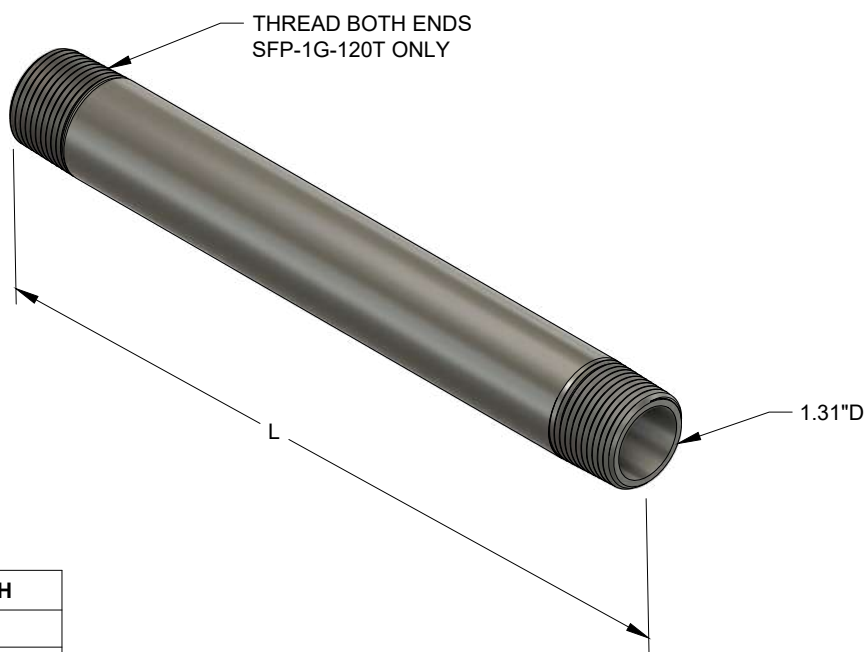
Moreng Telecom Products
973-237-2001
www.morengtel.com

FRAMEWORK ANGLE CONNECTION TO PERPENDICULAR CABLE RACK



ITEM	DESCRIPTION	SFH-805K3
1	1/2 CABLE RACK CLIP	4
2	1/2 x 5" V BOLT	2
3	1/2-13 HEAVY STEEL HEX NUT, ZY	4

FRAME JUNCTION PIPE



PART #	L	FINISH
SFP-1-120-1	10'	GRAY
SFP-1-120-3	10'	BLUE
SFP-1G-120	10'	GALVANIZED
SFP-1G-120T	10'	GALVANIZED

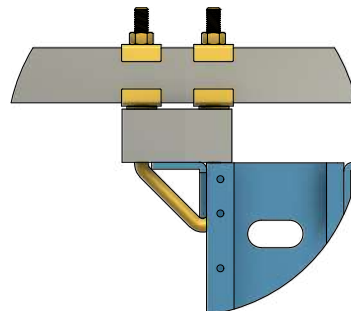
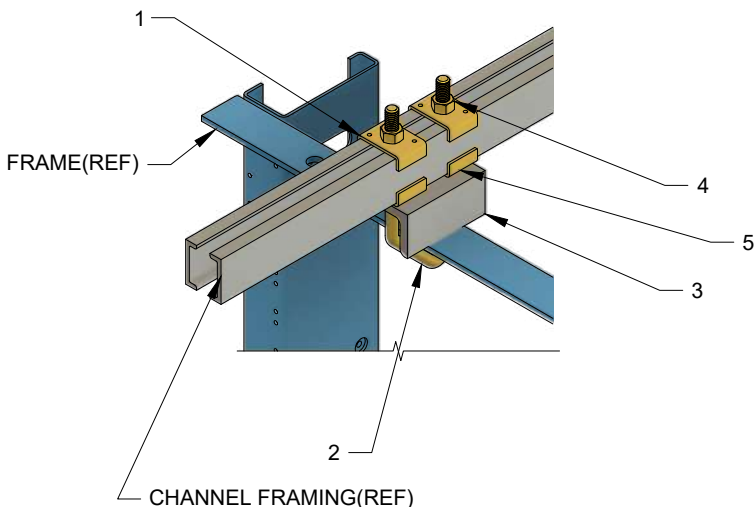
MATERIAL: 1" STEEL PIPE

(05/02/22)



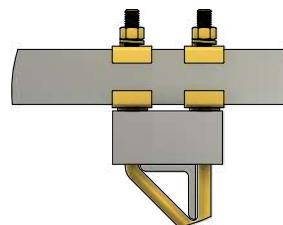
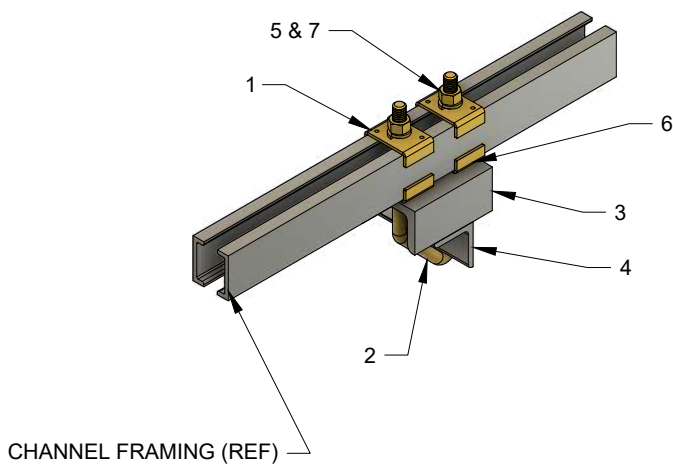
Moreng Telecom Products
 973-237-2001
 www.morengtel.com

CONNECTION OF FRAMEWORK ANGLE TO 2" CHANNEL FRAMING W/ 2" SPACER



ITEM	DESCRIPTION	SFH-808K
1	2" x 1/2" CHANNEL CLIP	4
2	1/2" x 8" V-BOLT	1
3	2" CHANNEL SPACER	1
4	1/2-13 HEAVY STEEL HEX NUT, ZY	2
5	1/2 STEEL FLAT WASHER, ZY	6

CONNECTION OF SUPPORT PIPE TO 2" CHANNEL FRAMING W/ 2" SPACER (FUTURE FRAME LOCATION)

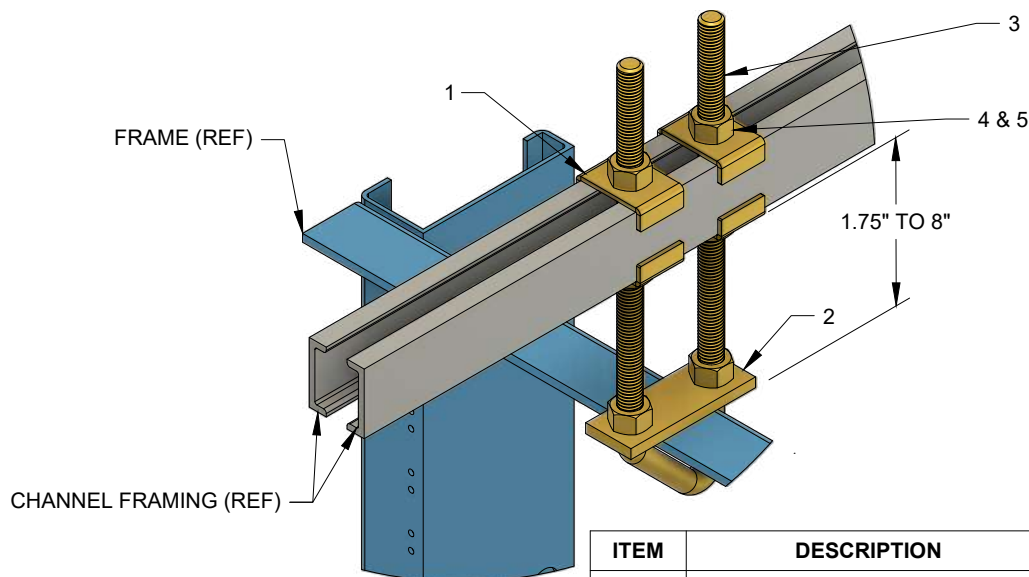


ITEM	DESCRIPTION	SFH-808KB
1	2" x 1/2" CHANNEL CLIP	4
2	1/2" x 8" V-BOLT	1
3	2" CHANNEL SPACER	1
4	ANGLE SPACER	1
5	1/2-13 HEAVY STEEL HEX NUT, ZY	2
6	1/2 STEEL FLAT WASHER, ZY	6
7	1/2 STEEL SPRING LOCK WASHER, ZY	2

(04/05/24)

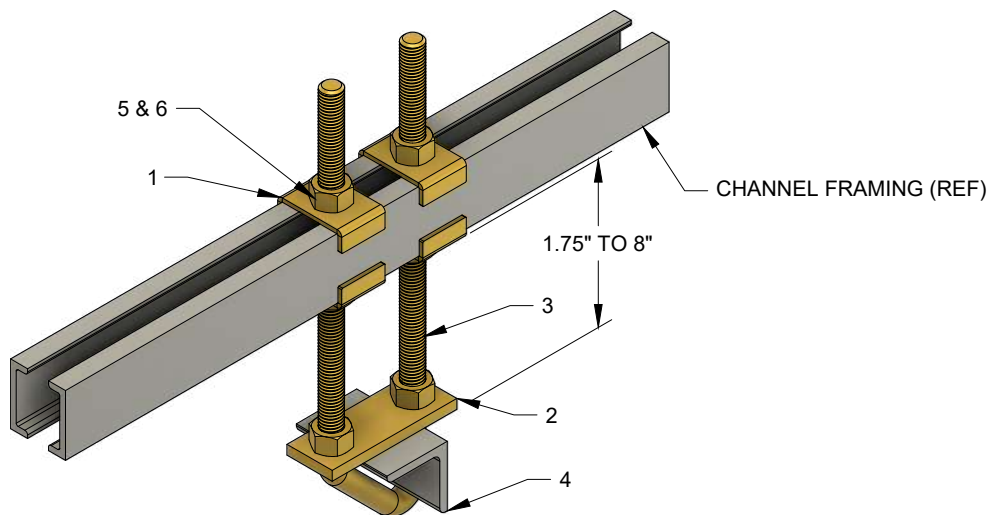


CONNECTION OF FRAMEWORK ANGLE TO 2" CHANNEL FRAMING (ADJUSTABLE)



ITEM	DESCRIPTION	SFH-913K	SFH-913KE
1	2" x 5/8" CHANNEL CLIP	4	4
2	PLATE FOR V-BOLT	1	1
3	5/8 V-BOLT	1	1
4	5/8-11 STEEL HEX NUT, ZY	6	6
5	5/8 EXTERNAL TOOTH LOCK WASHER, ZY		6

CONNECTION OF SUPPORT PIPE TO 2" CHANNEL FRAMING (ADJUSTABLE) (FUTURE FRAME LOCATION)

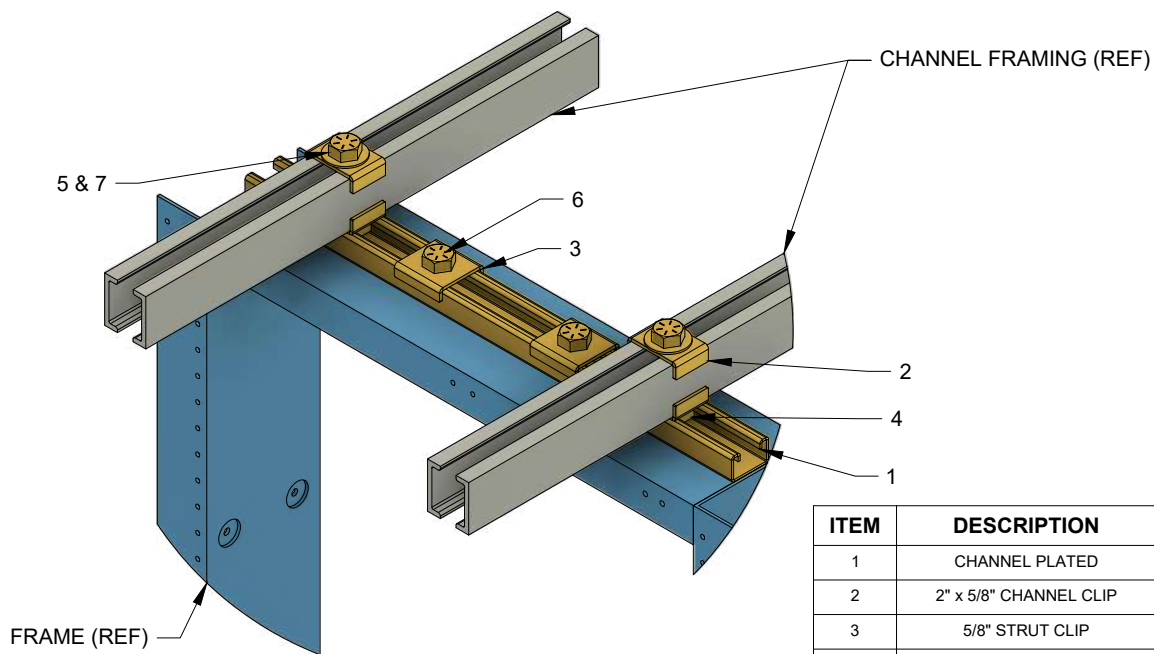


ITEM	DESCRIPTION	SFH-913KB	SFH-913KBE
1	2" x 5/8" CHANNEL CLIP	4	4
2	PLATE FOR V-BOLT	1	1
3	5/8 V-BOLT	1	1
4	ANGLE FILLER	1	1
5	5/8-11 STEEL HEX NUT, ZY	6	6
6	5/8 EXTERNAL TOOTH LOCK WASHER, ZY		6

(05/02/22)

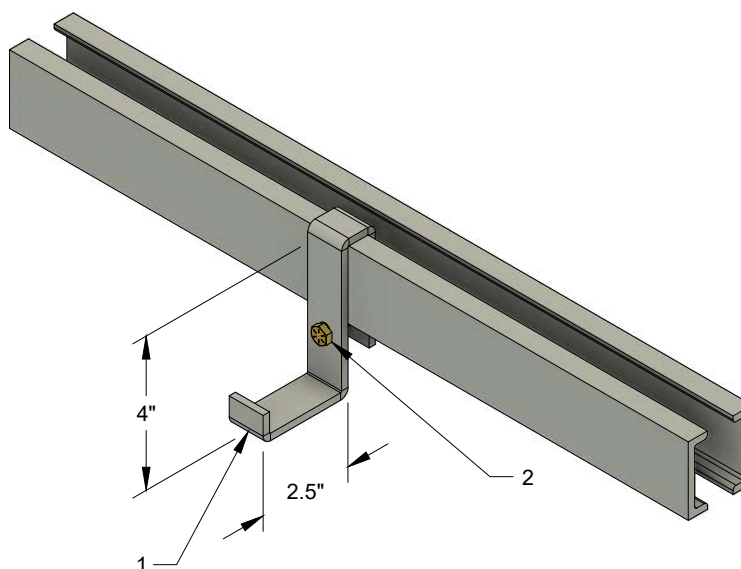


CONNECTION OF TOP OF 7' x 23" BAY TO 2" CHANNEL FRAMING (1" OFFSET)



ITEM	DESCRIPTION	SFH-123
1	CHANNEL PLATED	1
2	2" x 5/8" CHANNEL CLIP	4
3	5/8" STRUT CLIP	2
4	5/8-11 STRUT NUT	2
5	5/8-11 x 3" HEX BOLT, ZY	2
6	5/8-11 x 2" HEX BOLT, ZY	2
7	5/8 STEEL FLAT WASHER, ZY	2

CONNECTION OF CABLE BRACKET TO 2" CHANNEL FRAMING (2" UNDER)



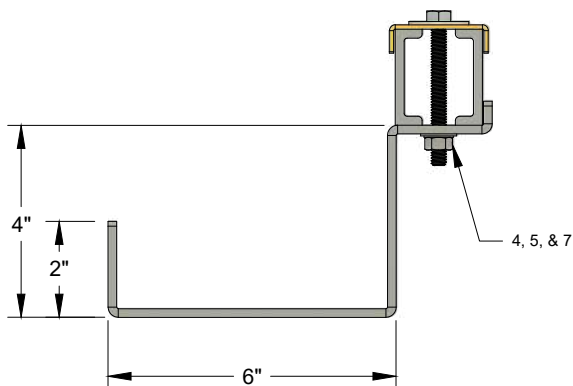
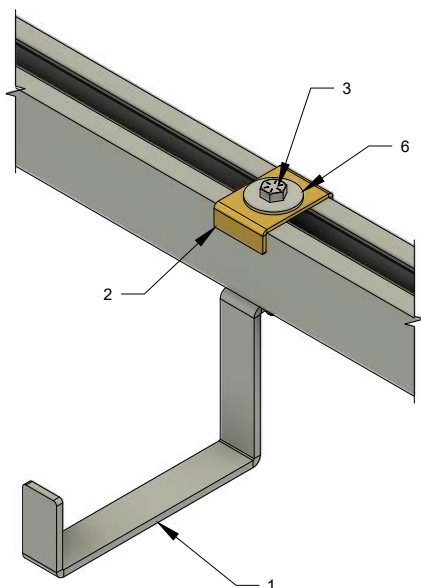
ITEM	DESCRIPTION	SFH-644K
1	CABLE BRACKET	1
2	1/4-20 x 1 HEX BOLT, ZY	1

(05/02/22)



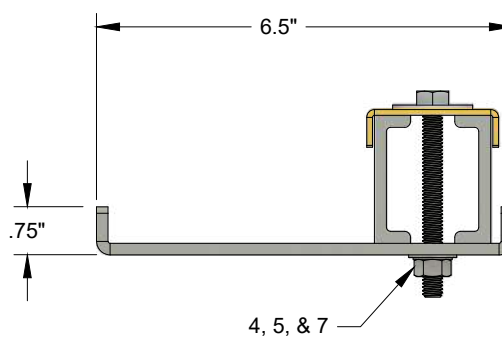
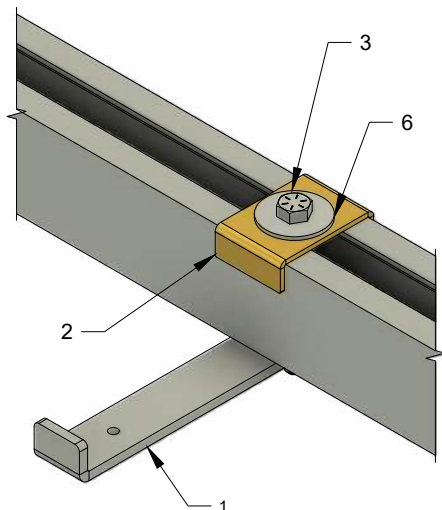
Moreng Telecom Products
973-237-2001
www.morengtel.com

CONNECTION OF CABLE BRACKET TO 2" CHANNEL FRAMING (4" UNDER)



ITEM	DESCRIPTION	SFH-641K
1	POWER CABLE BRACKET, MTP GRAY	1
2	2" x 3/8" CHANNEL CLIP	1
3	5/16-18 x 3" HEX BOLT, ZC	1
4	5/16-18 HEX NUT, ZC	1
5	5/16 FLAT WASHER, ZC	1
6	5/16 x 1-1/4 FENDER WASHER, ZC	1
7	5/16 INTERNAL TOOTH LOCK WASHER, ZC	1

CONNECTION OF CABLE BRACKET TO 2" CHANNEL FRAMING



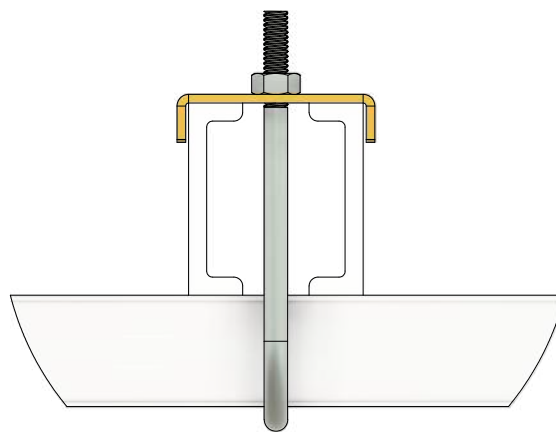
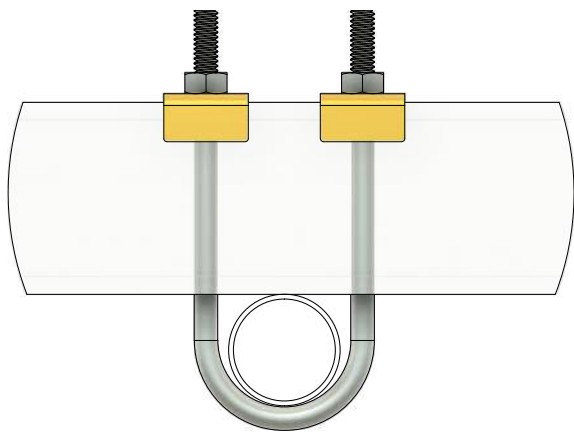
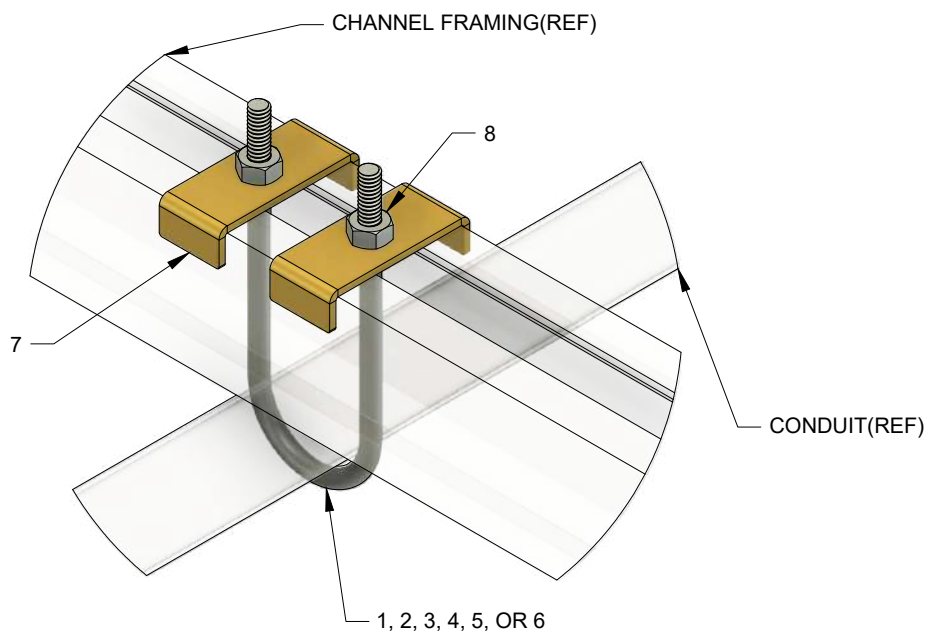
ITEM	DESCRIPTION	SFH-643K
1	CABLE BRACKET, MTP GRAY	1
2	2" x 3/8" CHANNEL CLIP	1
3	5/16-18 x 3" HEX BOLT, ZC	1
4	5/16-18 HEX NUT, ZC	1
5	5/16 FLAT WASHER, ZC	1
6	5/16 x 1-1/4 FENDER WASHER, ZC	1
7	5/16 INTERNAL TOOTH LOCK WASHER, ZC	1

(05/02/22)



Moreng Telecom Products
973-237-2001
www.morengtel.com

CONNECTION OF 1/2" THRU 2" RIGID CONDUIT TO 2" PERPENDICULAR CHANNEL FRAMING

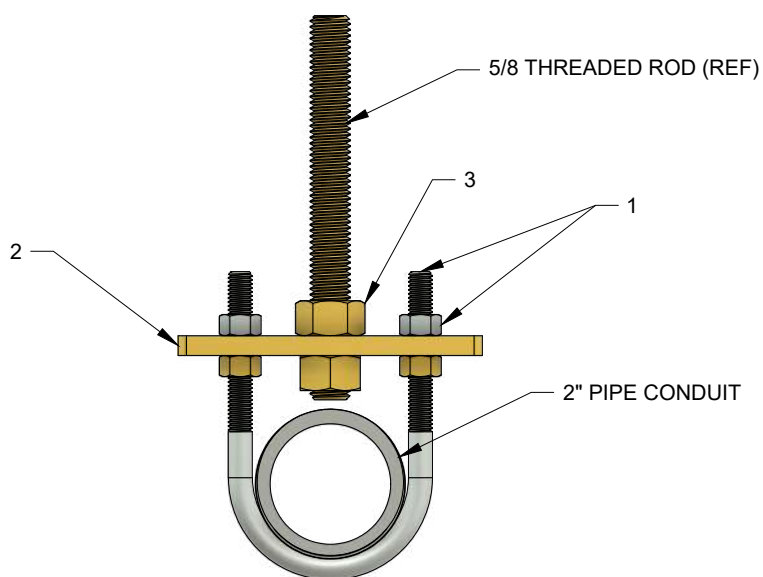
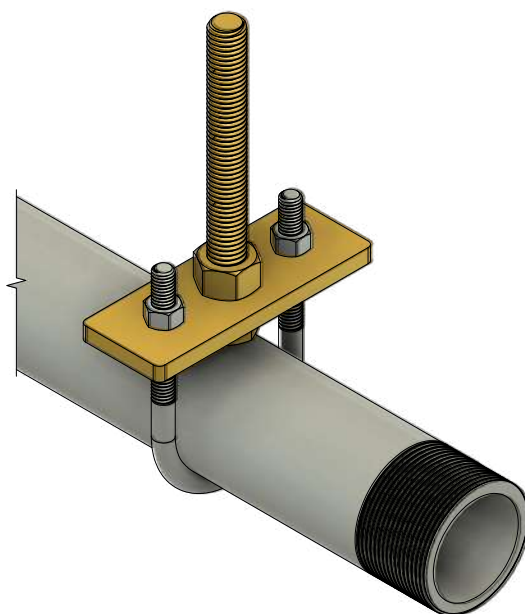


ITEM	DESCRIPTION	SFH-812	SFH-813	SFH-814	SFH-815	SFH-816	SFH-817
1	U-BOLT FOR 1/2" CONDUIT	1					
2	U-BOLT FOR 3/4" CONDUIT		1				
3	U-BOLT FOR 1" CONDUIT			1			
4	U-BOLT FOR 1-1/4" CONDUIT				1		
5	U BOLT FOR 1-1/2" CONDUIT					1	
6	U BOLT FOR 2" CONDUIT						1
7	U-BOLT CLIP	2	2	2	2	2	2
8	1/4-20 HEX NUT, ZY	2	2	2	2	2	2

(07/14/23)



CONNECTION OF 2" CONDUIT TO 5/8 HANGER ROD



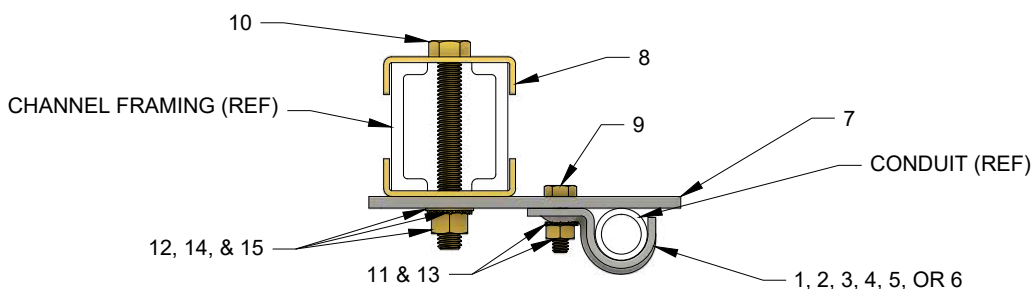
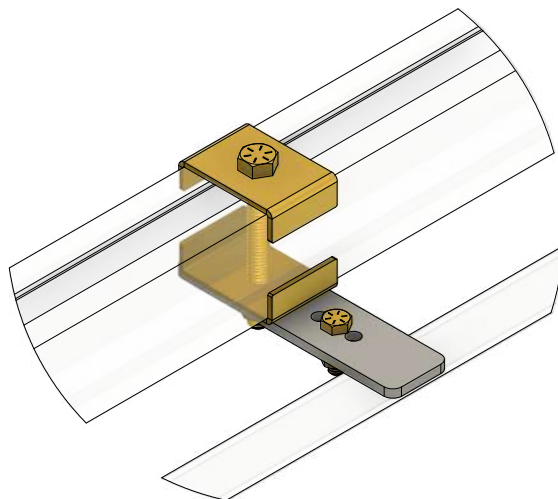
ITEM	DESCRIPTION	SFH-831K
1	U-BOLT KIT	1
2	NUT PLATE ASSEMBLY	1
3	5/8-11 STEEL HEX NUT, ZY	1

(01/23/23)



Moreng Telecom Products
973-237-2001
www.morengtel.com

CONNECTION OF 1/2", 3/4", & 1" CONDUIT TO 2" PARALLEL CHANNEL FRAMING

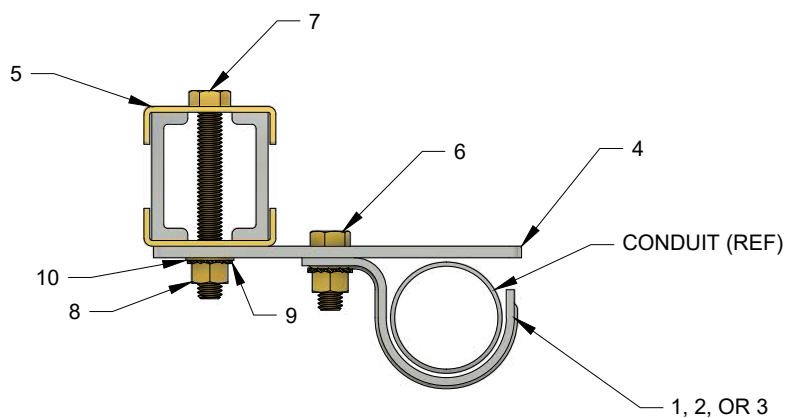
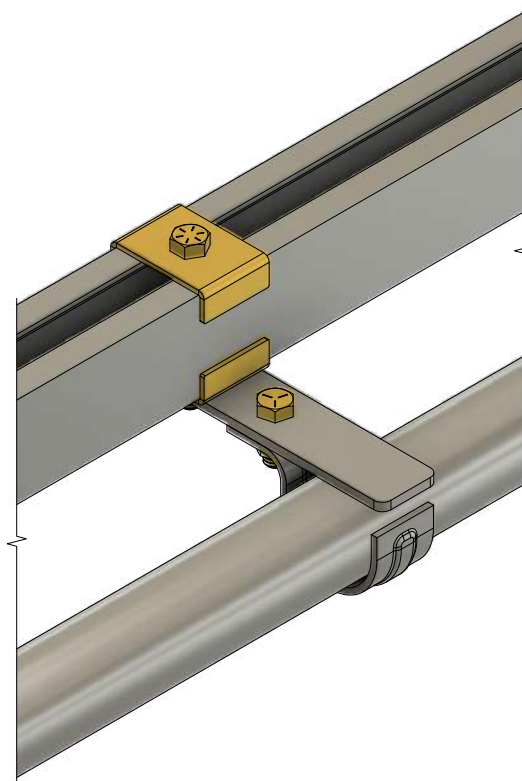


ITEM	DESCRIPTION	SFH-841K	SFH-842K	SFH-843K	SFH-841TK	SFH-842TK	SFH-843TK
1	MOUNTING STRAP FOR 1/2" IPS CONDUIT	1					
2	MOUNTING STRAP FOR 3/4" IPS CONDUIT		1				
3	MOUNTING STRAP FOR 1" IPS CONDUIT			1			
4	MOUNTING STRAP FOR 1/2" EMT CONDUIT				1		
5	MOUNTING STRAP FOR 3/4" EMT CONDUIT					1	
6	MOUNTING STRAP FOR 1" EMT CONDUIT						1
7	CONNECTION BAR	1	1	1	1	1	1
8	2" x 3/8" CHANNEL CLIP	2	2	2	2	2	2
9	1/4-20 x 7/8" HEX BOLT, ZY	1	1	1	1	1	1
10	3/8-16 x 3" HEX BOLT, ZY	1	1	1	1	1	1
11	1/4-20 HEX NUT, ZY	1	1	1	1	1	1
12	3/8-16 HEX NUT, ZY	1	1	1	1	1	1
13	1/4 EXTERNAL TOOTH LOCK WASHER, ZY	1	1	1	1	1	1
14	3/8 EXTERNAL TOOTH LOCK WASHER, ZY	1	1	1	1	1	1
15	3/8 FLAT WASHER, ZY	1	1	1	1	1	1

(04/05/24)



CONNECTION OF 1-1/4" & 1-1/2" CONDUIT TO 2" PARALLEL CHANNEL FRAMING



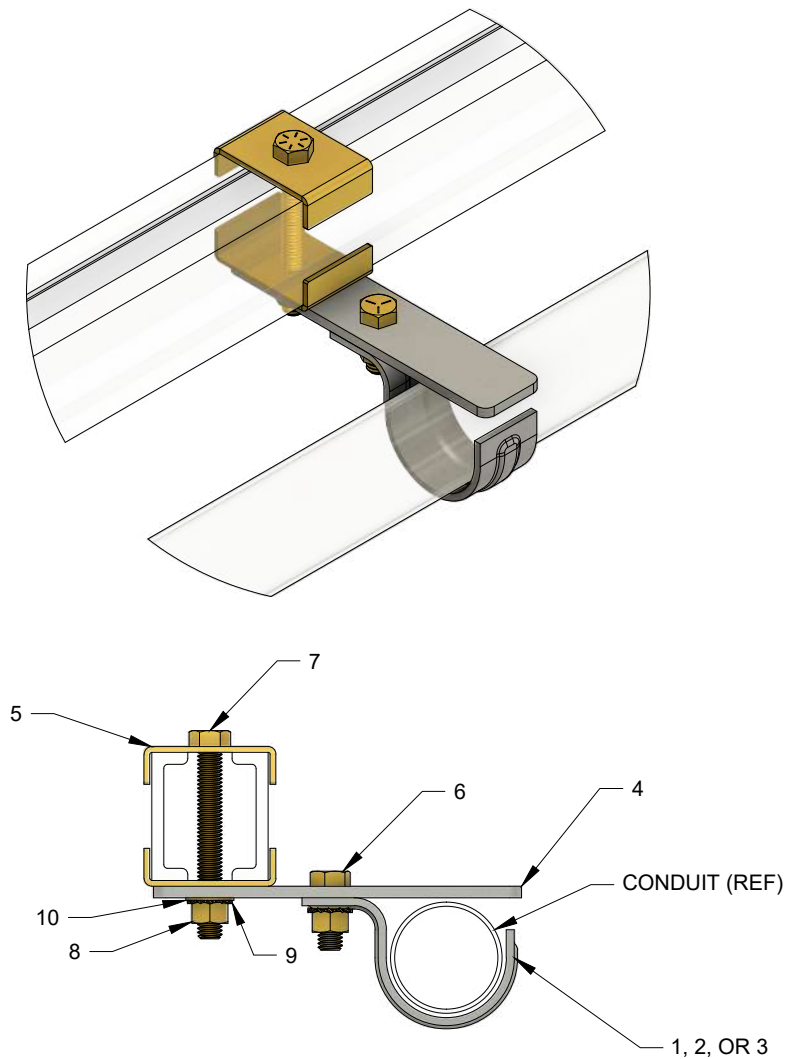
ITEM	DESCRIPTION	SFH-844K	SFH-845K	SFH-844TK
1	MOUNTING STRAP FOR 1-1/4" IPS CONDUIT	1		
2	MOUNTING STRAP FOR 1-1/2" IPS CONDUIT		1	
3	MOUNTING STRAP FOR 1-1/4" EMT CONDUIT			1
4	CONNECTION BAR	1	1	1
5	2" x 3/8" CHANNEL CLIP	2	2	2
6	3/8-16 x 1" HEX BOLT, ZY	1	1	1
7	3/8-16 x 3" HEX BOLT, ZY	1	1	1
8	3/8-16 HEX NUT, ZY	2	2	2
9	3/8 EXTERNAL TOOTH LOCK WASHER, ZY	2	2	2
10	3/8 FLAT WASHER, ZY	1	1	1

(04/05/24)



Moreng Telecom Products
973-237-2001
www.morengtel.com

CONNECTION OF 1-1/4" & 1-1/2" CONDUIT TO 2" PARALLEL CHANNEL FRAMING



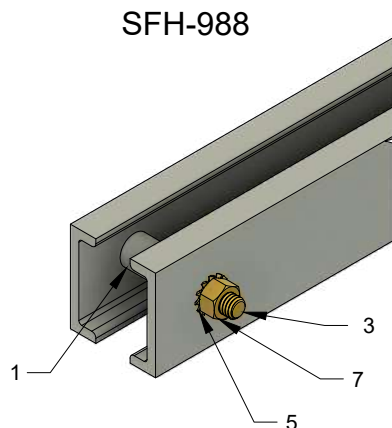
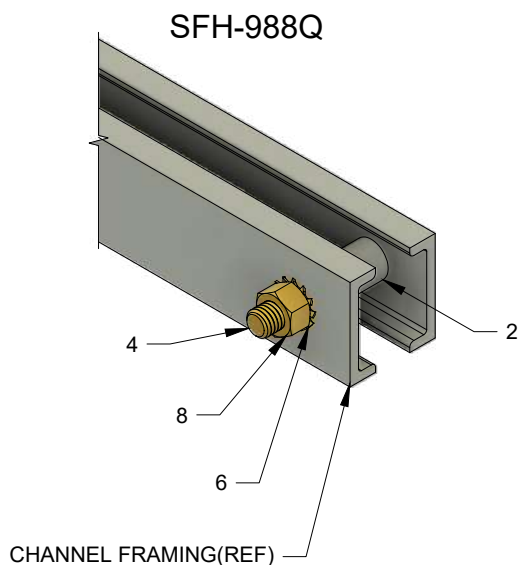
ITEM	DESCRIPTION	SFH-844K	SFH-845K	SFH-844TK
1	MOUNTING STRAP FOR 1-1/4" IPS CONDUIT	1		
2	MOUNTING STRAP FOR 1-1/2" IPS CONDUIT		1	
3	MOUNTING STRAP FOR 1-1/4" EMT CONDUIT			1
4	CONNECTION BAR	1	1	1
5	2" x 3/8" CHANNEL CLIP	2	2	2
6	3/8-16 x 1" HEX BOLT, ZY	1	1	1
7	3/8-16 x 3" HEX BOLT, ZY	1	1	1
8	3/8-16 HEX NUT, ZY	2	2	2
9	3/8 EXTERNAL TOOTH LOCK WASHER, ZY	2	2	2
10	3/8 FLAT WASHER, ZY	1	1	1

(04/05/24)



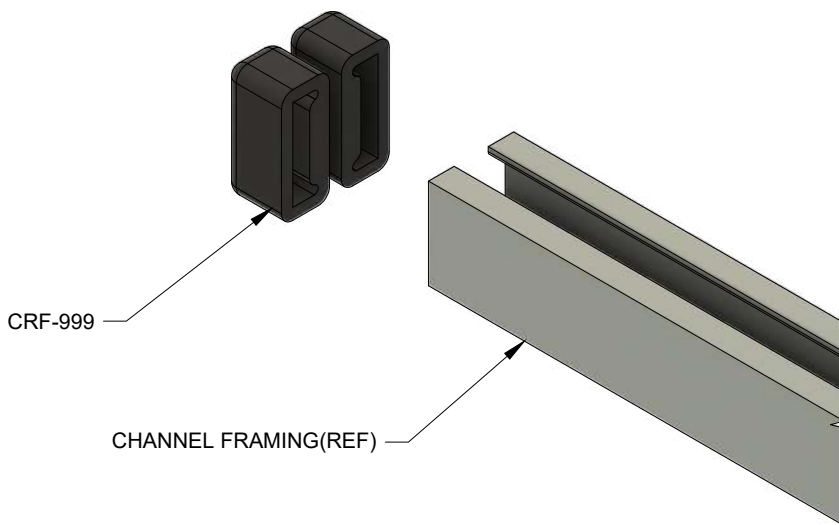
Moreng Telecom Products
973-237-2001
www.morengtel.com

Z-4 END BOLT KIT FOR CHANNEL FRAMING



ITEM	DESCRIPTION	SFH-988	SFH-988Q
1	SPACER FOR 3/8" BOLT	1	
2	SPACER FOR 1/2" BOLT		1
3	3/8-16 x 2-1/2" HEX BOLT, ZY	1	
4	1/2-13 x 2-3/4" HEX BOLT, ZY		1
5	3/8 EXTERNAL TOOTH LOCK WASHER, ZY	1	
6	1/2 EXTERNAL TOOTH LOCK WASHER, ZY		1
7	3/8-16 HEX NUT, ZY	1	
8	1/2-13 HEX NUT, ZY		1

UNIVERSAL RUBBER END CAPS FOR 2" AUX CHANNEL OR BAR FRAMING



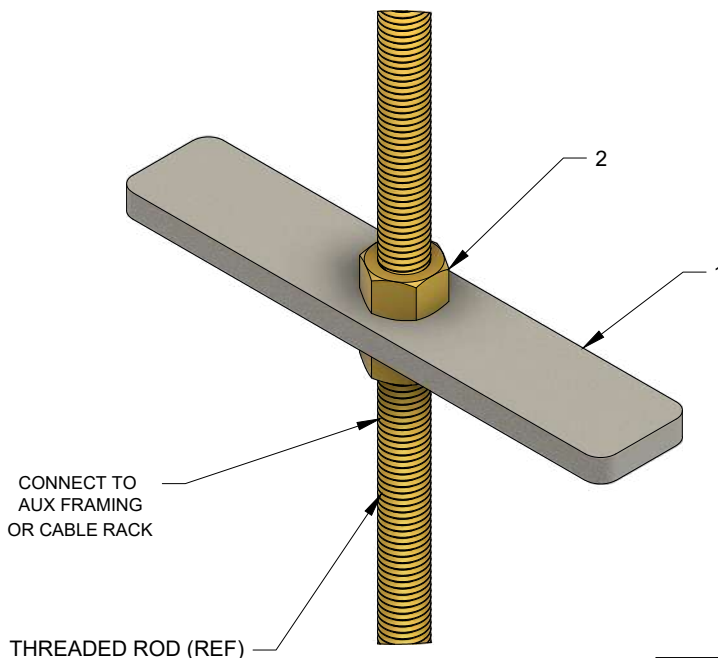
NEW PART #	CRF-999
OLD PART #	SFH-999

(05/02/22)



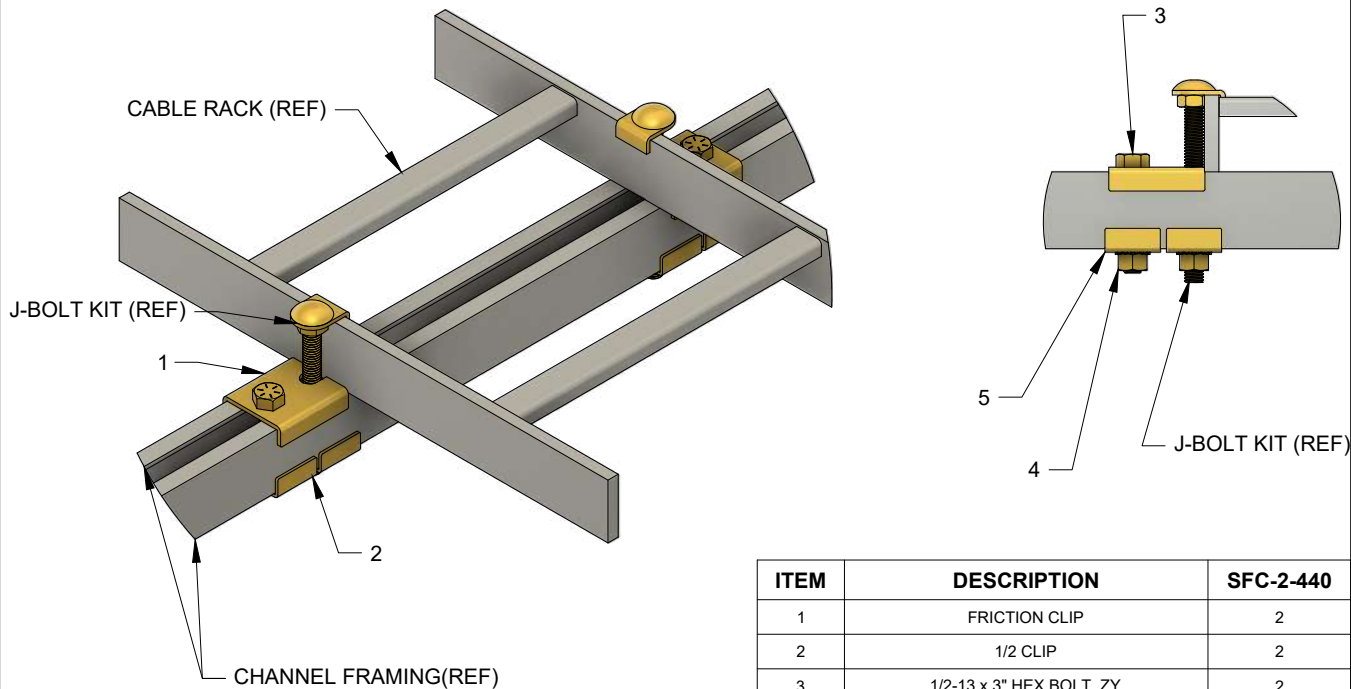
Moreng Telecom Products
973-237-2001
www.morengtel.com

CABLE SUPPORT PLATE KIT FROM AUX FRAMING OR CABLE RACK



ITEM	DESCRIPTION	SFH-627
1	CABLE SUPPORT PLATE	1
2	5/8 HEX NUT, ZY	2

FRICTION CLIP KIT FOR CABLE RACK TO 2" AUX CHANNEL



ITEM	DESCRIPTION	SFC-2-440
1	FRICTION CLIP	2
2	1/2 CLIP	2
3	1/2-13 x 3" HEX BOLT, ZY	2
4	1/2-13 HEX NUT, ZY	2
5	1/2 EXTERNAL TOOTH LOCK WASHER, ZY	2

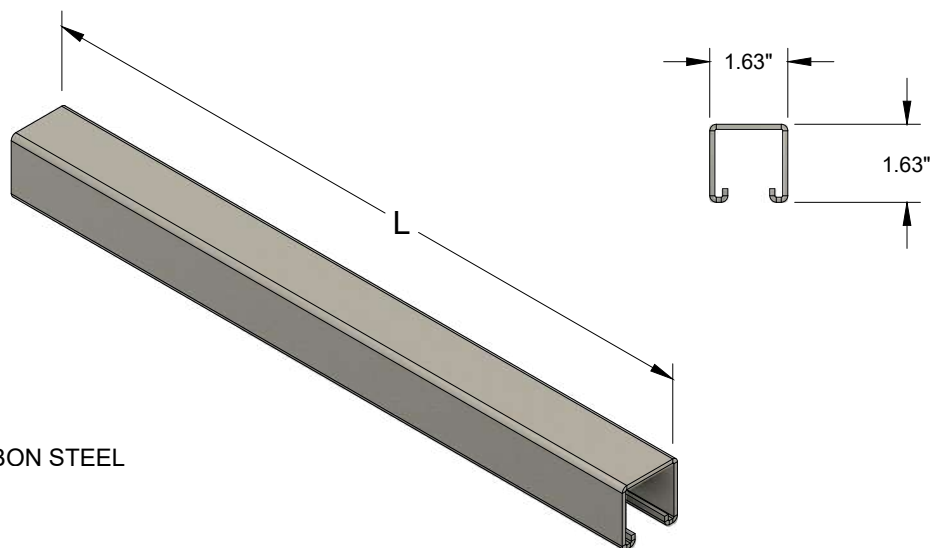
(05/02/22)



Moreng Telecom Products
 973-237-2001
 www.morengtel.com

STEEL STRUT (1-5/8 SQ)

(NO HOLES)



MATERIAL: 0.105 CARBON STEEL

FINISH: SEE TABLE

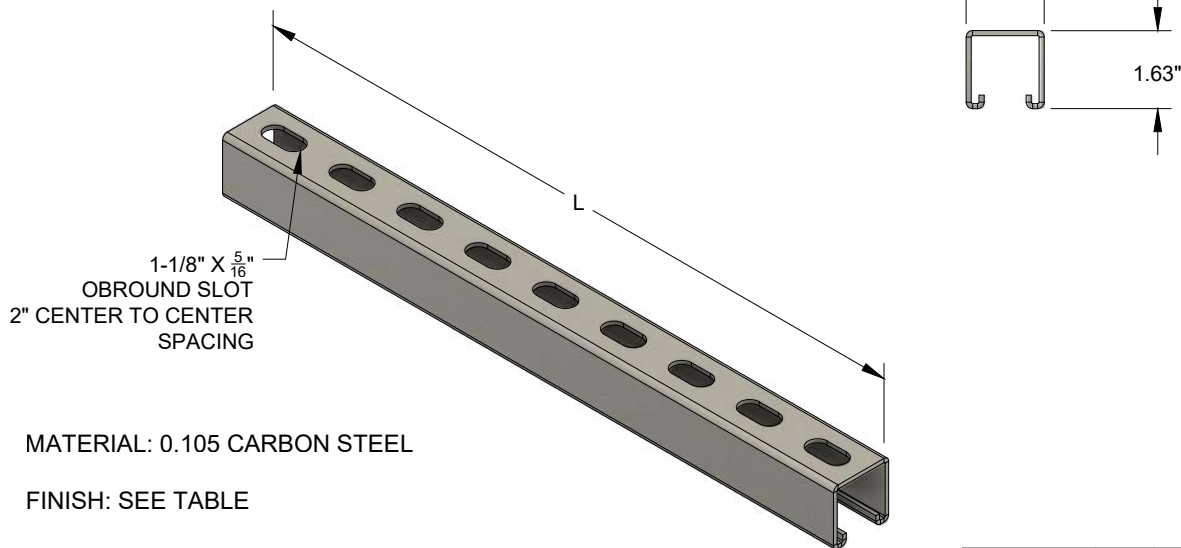
OPTIONS:

- MAY BE ORDERED WITH SPECIAL FINISH
- SPLICES & HANGER CLAMPS AVAILABLE

FINISH	L	PART #
GRAY	120"	SC200120
BLACK	120"	SC200120B

STEEL STRUT (1-5/8 SQ)

(SLOTTED)



MATERIAL: 0.105 CARBON STEEL

FINISH: SEE TABLE

OPTIONS:

- MAY BE ORDERED WITH SPECIAL FINISH
- SPLICES & HANGER CLAMPS AVAILABLE

FINISH	L	PART #
GRAY	120"	SC200120SS
BLACK	120"	SC200120SSB
WHITE	120"	SC200120SSW
ZINC YELLOW	120"	SC200120SSY

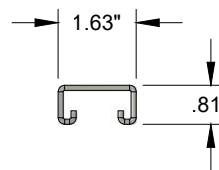
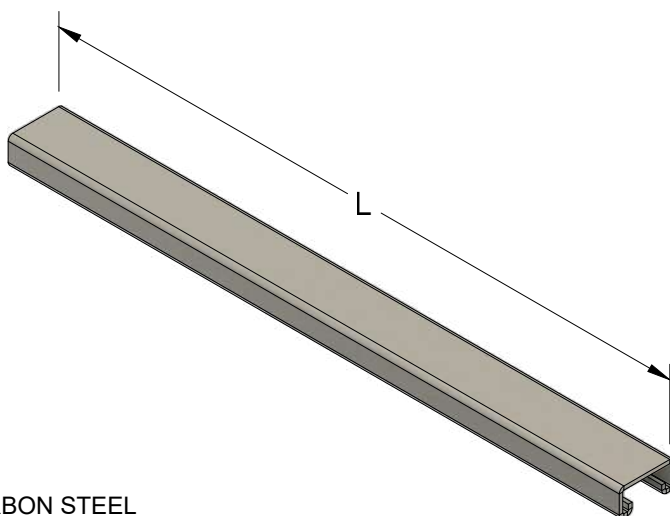
(10/08/24)



Moreng Telecom Products
973-237-2001
www.morengtel.com

STEEL STRUT(1-5/8 x 13/16)

(NO HOLES)



MATERIAL: 0.075 CARBON STEEL

FINISH: SEE TABLE

OPTIONS:

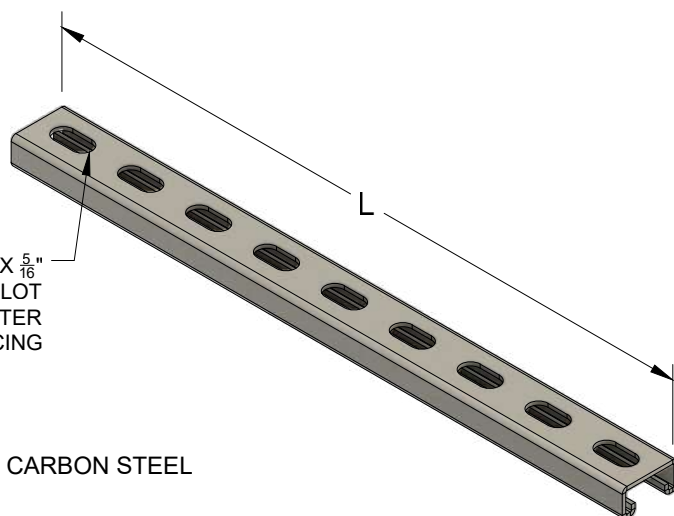
-MAY BE ORDERED WITH SPECIAL FINISH

-SPLICES & HANGER CLAMPS AVAILABLE

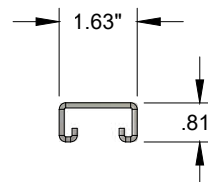
FINISH	L	PART #
GRAY	120"	SC500120
BLACK	120"	SC500120B

STEEL STRUT(1-5/8 x 13/16)

(SLOTTED)



1-1/8" X $\frac{5}{16}$ "
OBROUND SLOT
2" CENTER TO CENTER
SPACING



MATERIAL: 0.075 CARBON STEEL

FINISH: SEE TABLE

OPTIONS:

-MAY BE ORDERED WITH SPECIAL FINISH

-SPLICES & HANGER CLAMPS AVAILABLE

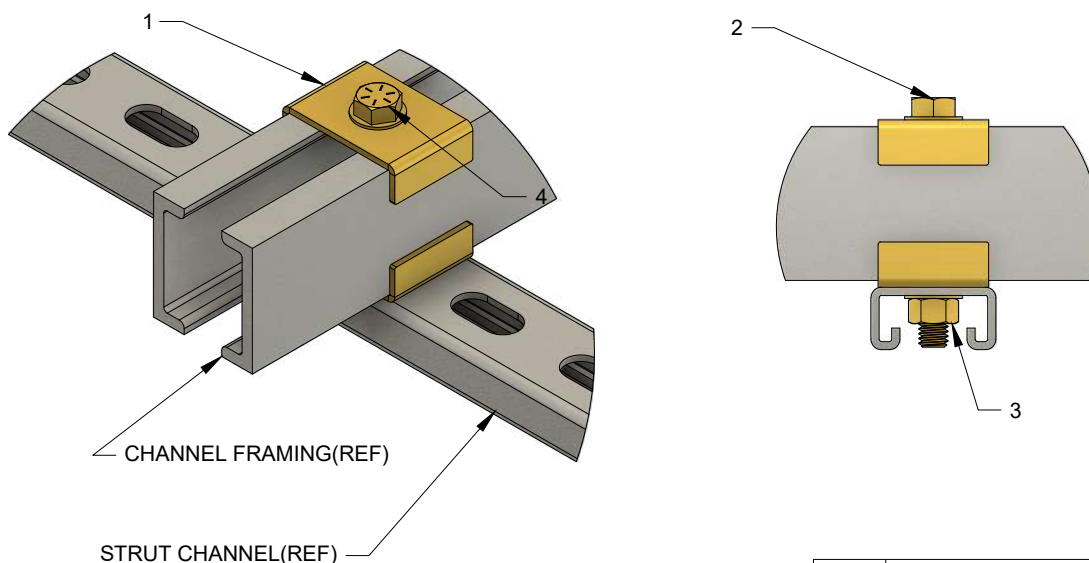
FINISH	L	PART #
GRAY	120"	SC500120SS
BLACK	120"	SC500120SSB
WHITE	120"	SC500120SSW
ZINC YELLOW	120"	SC500120SSY

(10/08/24)



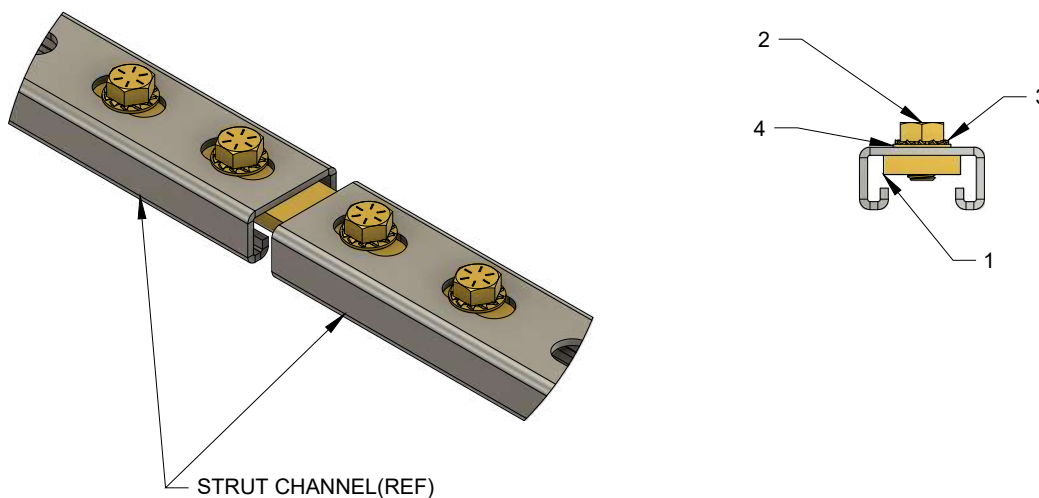
Moreng Telecom Products
973-237-2001
www.morengtel.com

13/16" HIGH STRUT CHANNEL TO 2" FRAMING CHANNEL



ITEM	DESCRIPTION	SFH-783D
1	2" x 3/8" CHANNEL CLIP	2
2	3/8-16 x 3" HEX BOLT, ZY	1
3	3/8-16 HEX NUT, ZY	1
4	3/8 FLAT WASHER, ZY	2

WEB SPLICE KIT FOR 1-5/8" WIDE SLOTTED STRUT



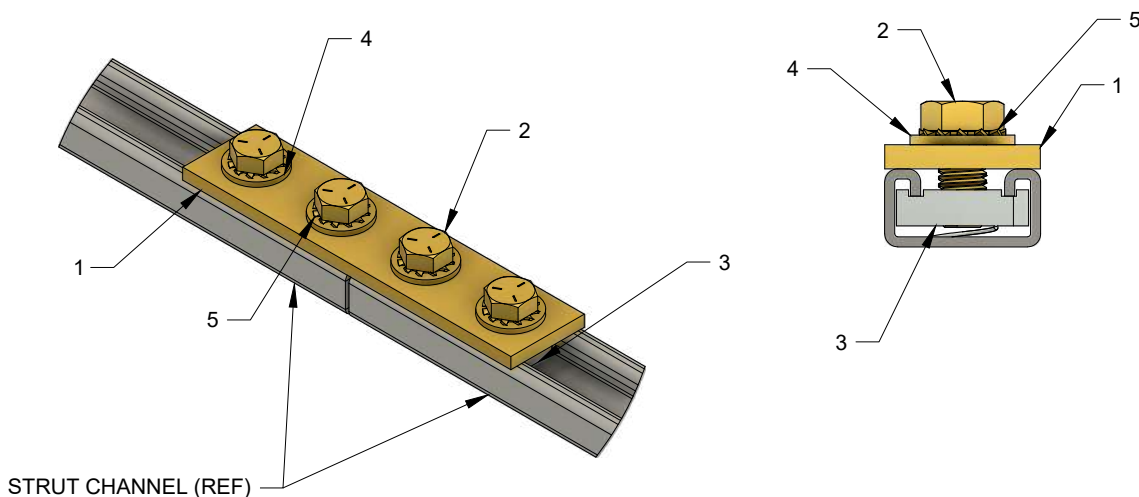
ITEM	DESCRIPTION	SFH-784K
1	1" x 8" SPLICE BAR	1
2	3/8-16 x 1/2" HEX BOLT, ZY	4
3	3/8 EXTERNAL TOOTH LOCK WASHER, ZY	4
4	3/8 FLAT WASHER, ZY	4

(04/08/24)



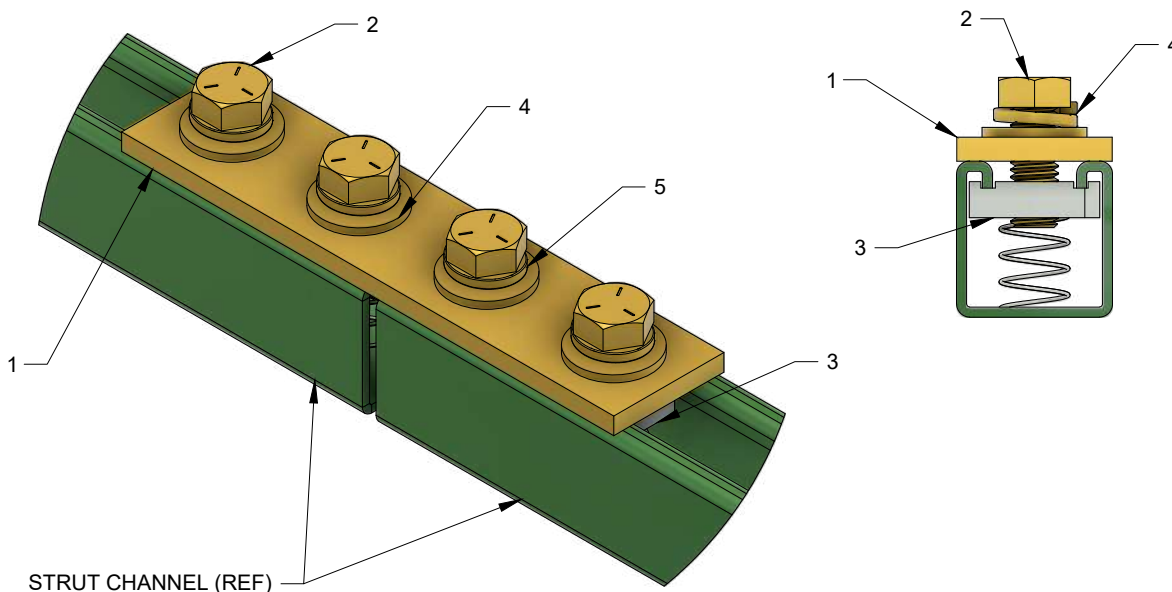
Moreng Telecom Products
 973-237-2001
 www.morengtel.com

SPLICE KIT FOR 1-5/8" x 0.81" STRUT



ITEM	DESCRIPTION	SFH-785K
1	1-5/8" x 7-1/4" SPLICE BAR	1
2	1/2-13 x 1" HEX BOLT, ZY	4
3	1/2-20 STRUT NUT, SHORT SPRING	4
4	1/2 FLAT WASHER, ZY	4
5	1/2 EXTERNAL TOOTH LOCK WASHER	4

SPLICE KIT FOR 1-5/8" x 1-5/8" STRUT



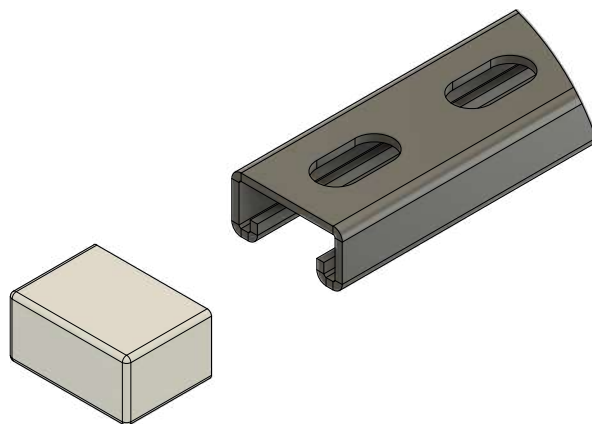
ITEM	DESCRIPTION	SFH-786K
1	1-5/8" x 7-1/4" SPLICE BAR	1
2	1/2-13 x 1-1/4" HEX BOLT, ZY	4
3	1/2 STRUT SPRING NUT	4
4	1/2 FLAT WASHER	4
5	1/2 SPRING LOCK WASHER	4

(09/27/23)



Moreng Telecom Products
973-237-2001
www.morengtel.com

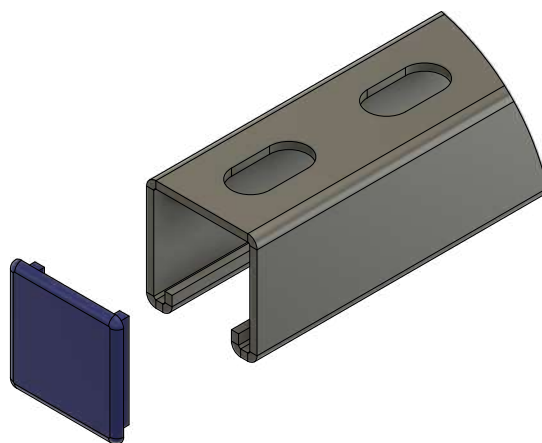
PLASTIC END CAP FOR
1.63" X .82" STRUT & 1.63" X 1.63"



COLOR: WHITE

W	H	PART#
1.63"	.88"	SC500EC-W
1.63"	1.63"	SC200EC-W

PLASTIC END CAP FOR
1.63" X 1.63" STRUT



COLOR: BLUE

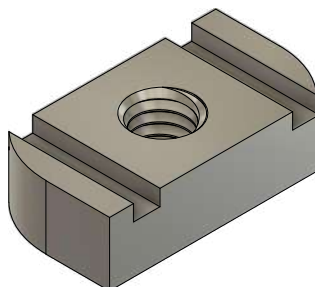
W	H	PART#
1.63"	1.63"	SFH-131

(05/24/23)



Moreng Telecom Products
973-237-2001
www.morengtel.com

STRUT CHANNEL NUTS

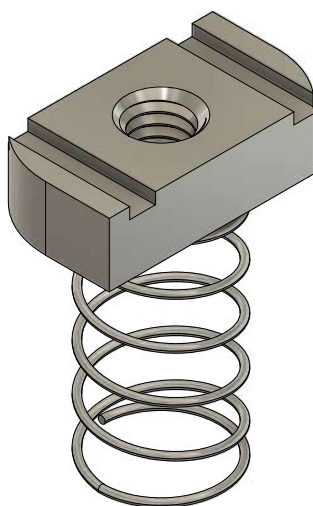


MATERIAL: MILD STEEL BAR

FINISH: ELECTRO-GALVANIZED

HOLE SIZE	PART #
1/4-20	NUS02520
3/8-16	NUS03716
1/2-13	NUS05013
5/8-11	NUS06211

STRUT CHANNEL NUTS WITH SPRING



MATERIAL: MILD STEEL BAR

FINISH: ELECTRO-GALVANIZED

HOLE SIZE	SPRING	PART #
1/4-20	LONG	NUS02520S
3/8-16	SHORT	NUS03716SS
3/8-16	LONG	NUS03716S
1/2-13	SHORT	NUS05013SS
1/2-13	LONG	NUS05013S
5/8-11	SHORT	NUS06211SS
5/8-11	LONG	NUS06211S

(05/02/22)



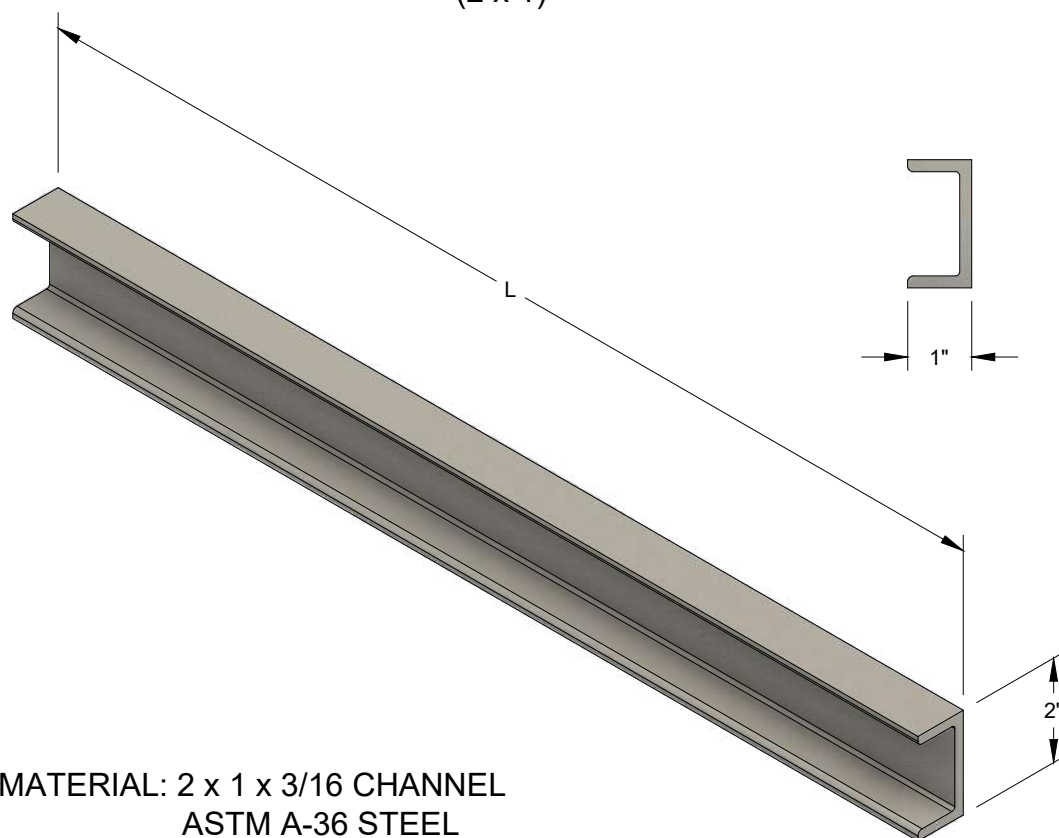
Moreng Telecom Products
973-237-2001
www.morengtel.com

FRAMING (2" x 1" CHANNEL)



2" CHANNEL FRAMING

(2 x 1)



**MATERIAL: 2 x 1 x 3/16 CHANNEL
ASTM A-36 STEEL**

FINISH: MTP GRAY

OPTIONS:

- MAY BE ORDERED TO ANY LENGTH BY
USING LAST 3 DIGITS OF PART NUMBER AS
REQUIRED LENGTH (IN INCHES)

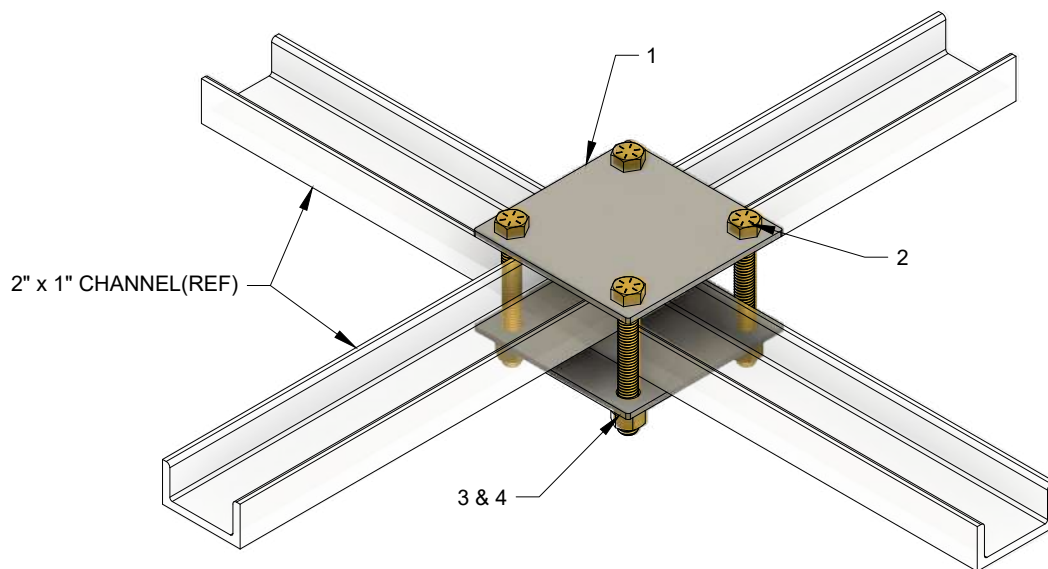
PART #	L
SFC-21-024	2'
SFC-21-048	4'
SFC-21-072	6'
SFC-21-096	8'
SFC-21-120	10'
SFC-21-144	12'
SFC-21-192	16'
SFC-21-240	20'
SFC-21-xxx	xxx"

(05/02/22)



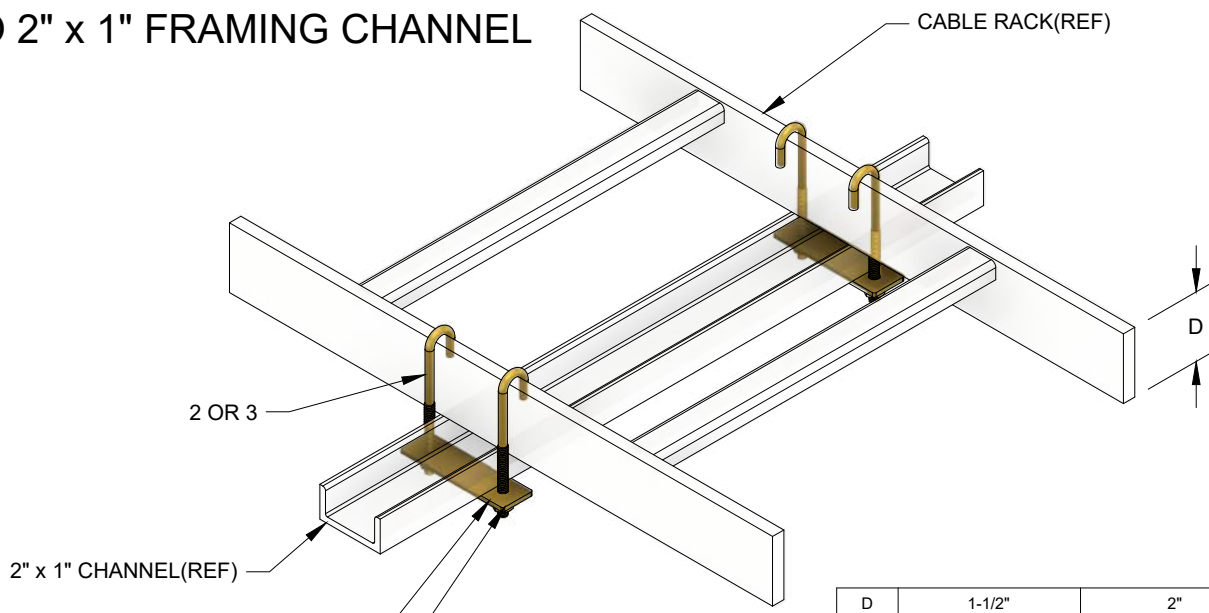
Moreng Telecom Products
973-237-2001
www.morengtel.com

X-OVER SPLICE KIT FOR 2" x 1" FRAMING CHANNEL



ITEM	DESCRIPTION	SFC-21-700KX
1	PLATE	2
2	3/8-16 x 3" HEX BOLT, ZY	4
3	3/8 SPRING LOCK WASHER, ZY	4
4	3/8-16 HEX NUT, ZY	4

CONNECTION OF CABLE RACK TO 2" x 1" FRAMING CHANNEL



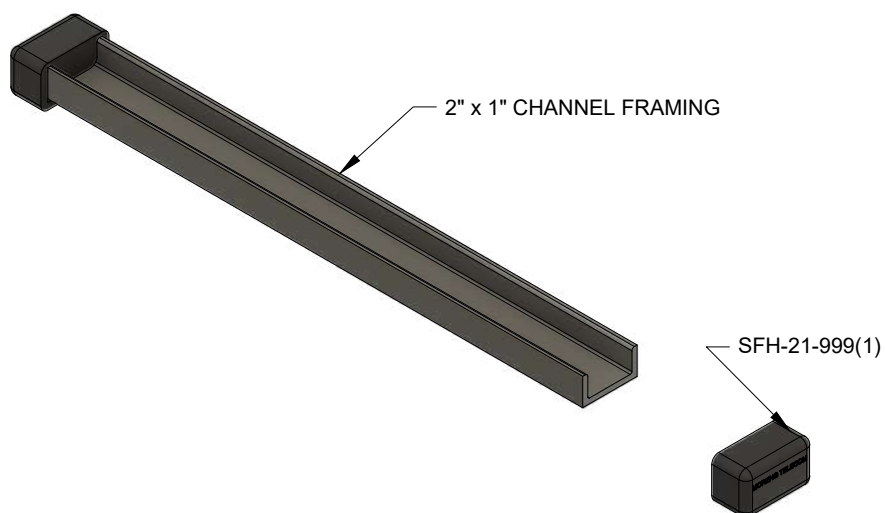
D IS DEPTH OF CABLE RACK SIDE BAR

ITEM	DESCRIPTION	D	1-1/2"	2"
		R2-205AK-CR1	R2-205AK-CR2	
1	PLATE	2	2	
2	3.25" J-BOLT	4		
3	3.75 J-BOLT		4	
4	1/4 SPRING LOCK WASHER, ZY	4	4	
5	1/4-20 HEX NUT, ZY	4	4	

(04/08/24)



RUBBER END CAP FOR 2" x 1" CHANNEL FRAMING



SFH-21-999

OTHER ACCESSORY KITS AVAIABLE FOR

2" x 1" x $\frac{3}{16}$ " AUX FRAMING SYSTEMS

PLEASE CONTACT OUR SALES DEPT

(05/02/22)

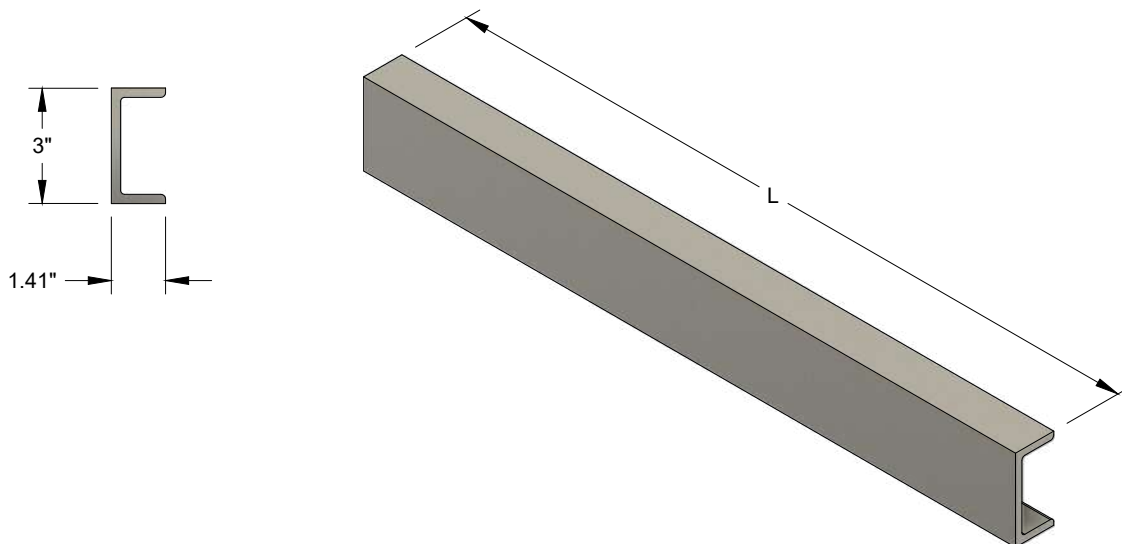


Moreng Telecom Products
973-237-2001
www.morengtel.com

FRAMING (3" CHANNEL)



3" FRAMING CHANNEL



MATERIAL: 3"-4.1# STEEL CHANNEL (ASTM A-36)

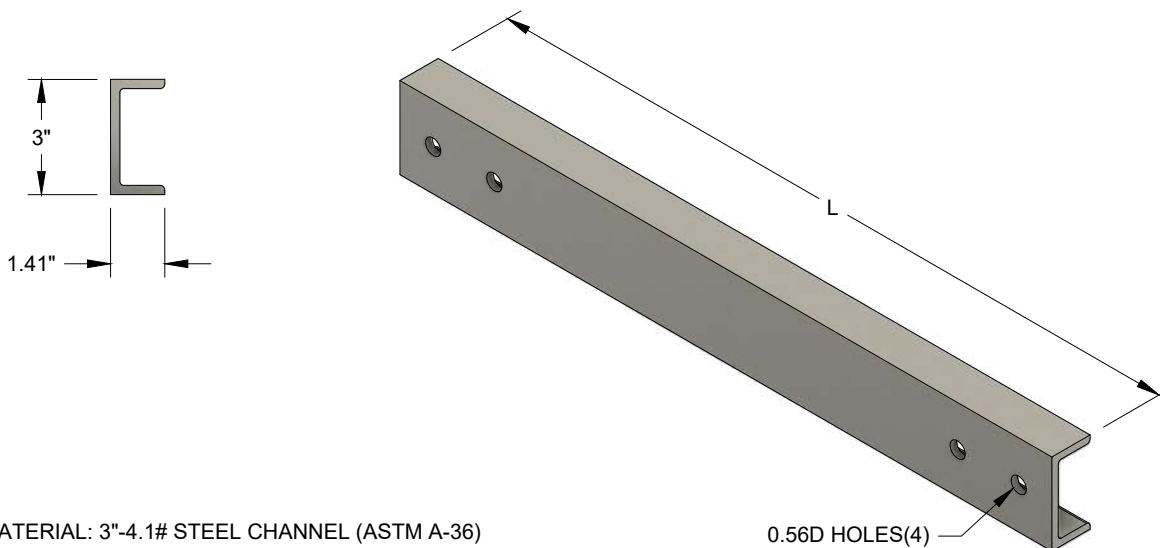
FINISH: MTP GRAY

OPTIONS:

- MAY BE ORDERED TO ANY LENGTH BY USING 3 DIGITS OF PART NUMBER AS REQUIRED LENGTH (IN INCHES)
- EX. 120" SECTION IS SFC-3-120

SFC-3-xxx

3" FRAMING CHANNEL (PREDRILLED AS SHOWN)



MATERIAL: 3"-4.1# STEEL CHANNEL (ASTM A-36)

FINISH: MTP GRAY

OPTIONS:

- MAY BE ORDERED TO ANY LENGTH BY USING 3 DIGITS OF PART NUMBER AS REQUIRED LENGTH (IN INCHES)
- EX. 120" SECTION IS SFC-3E-120

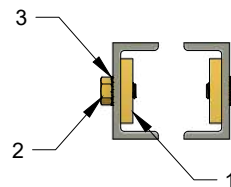
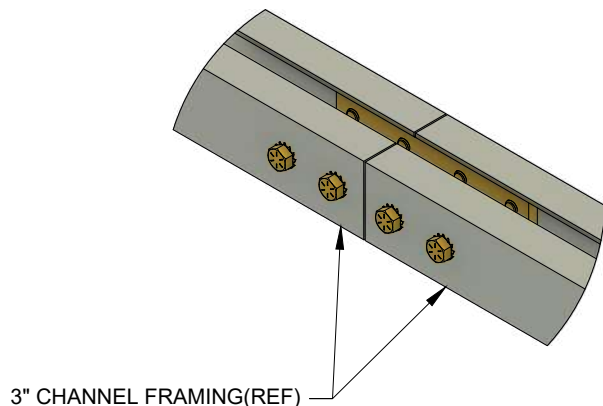
SFC-3E-xxx

(05/02/22)



Moreng Telecom Products
973-237-2001
www.morengtel.com

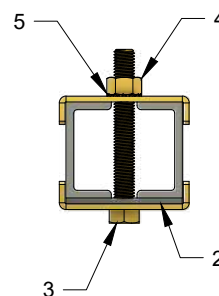
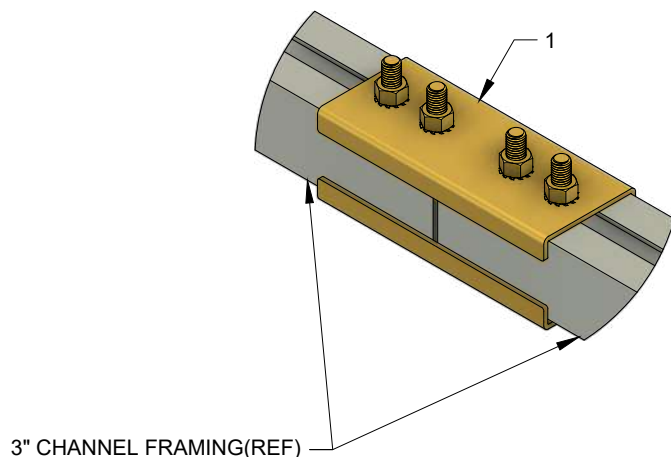
3" CHANNEL FRAMING SPLICE (BOLTED)



FINISH: ZINC PLATE & YELLOW CHROMATE

ITEM	DESCRIPTION	SFC-3-350
1	SPLICE PLATE FOR 3" CHANNEL	2
2	1/2-13 x 3/4" HEX BOLT, ZY	8
3	1/2 EXTERNAL TOOTH LOCK WASHER, ZY	8

3" CHANNEL FRAMING SPLICE (4 BOLT - FRICTION)



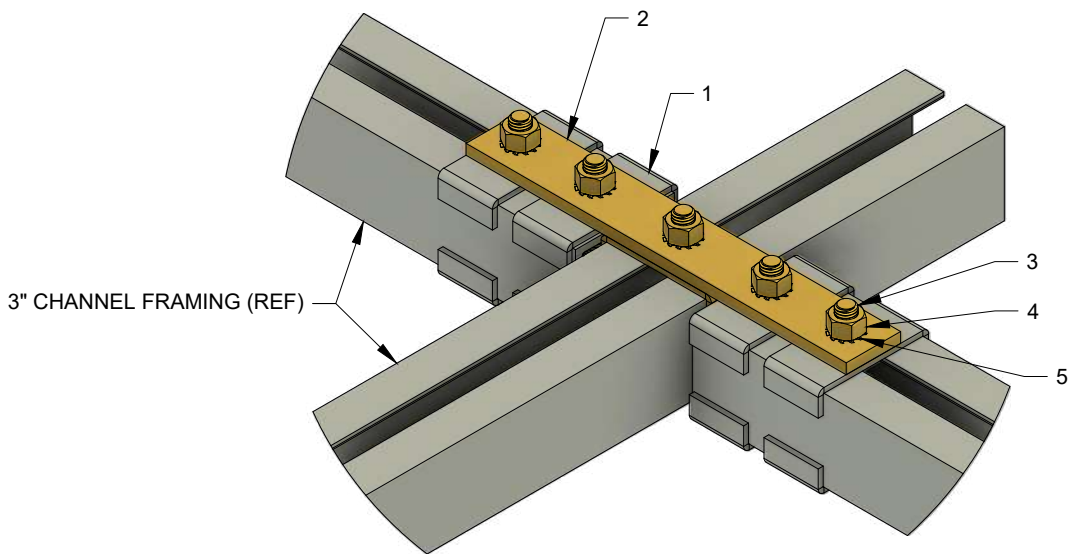
FINISH: ZINC PLATE & YELLOW CHROMATE

ITEM	DESCRIPTION	SFC-3-850
1	3" CHANNEL SPLICE, ZY	2
2	STIFFENING PLATE	4
3	5/8-11 x 5" HEX BOLT, ZY	4
4	5/8-11 HEX NUT, ZY	4
5	5/8 EXTERNAL TOOTH LOCK WASHER, ZY	4

(05/02/22)

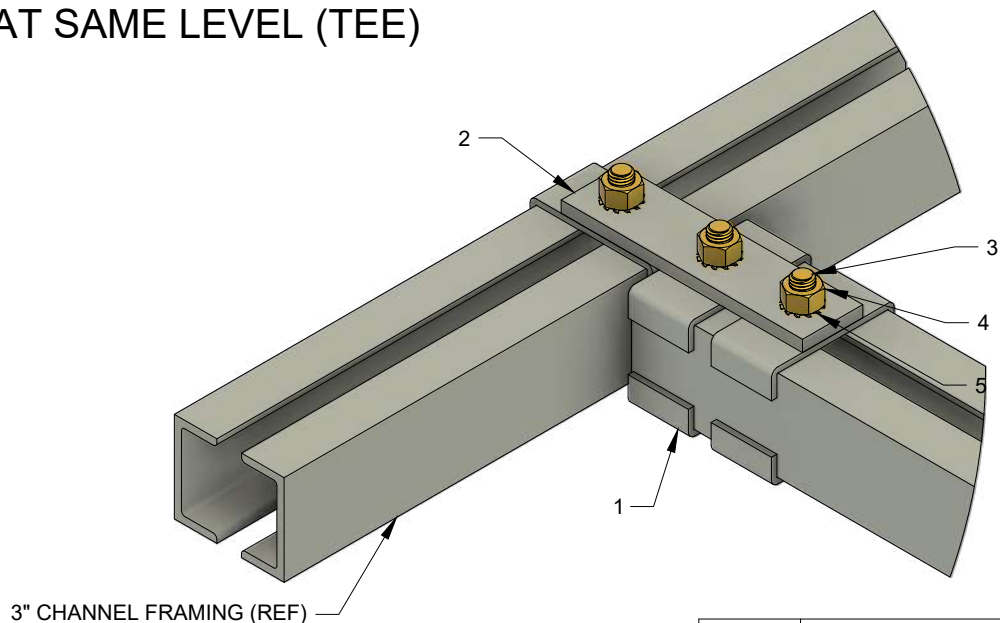


3" FRAMING CHANNEL SPLICE AT SAME LEVEL (CROSS)



ITEM	DESCRIPTION	SFC-3-820
1	3" CHANNEL CLIP	10
2	SPLICE BAR FOR 3" CHANNEL	2
3	5/8-11 x 5" HEX BOLT, ZY	5
4	5/8-11 HEX NUT, ZY	5
5	5/8 EXTERNAL TOOTH LOCK WASHER, ZY	5

3" FRAMING CHANNEL SPLICE AT SAME LEVEL (TEE)



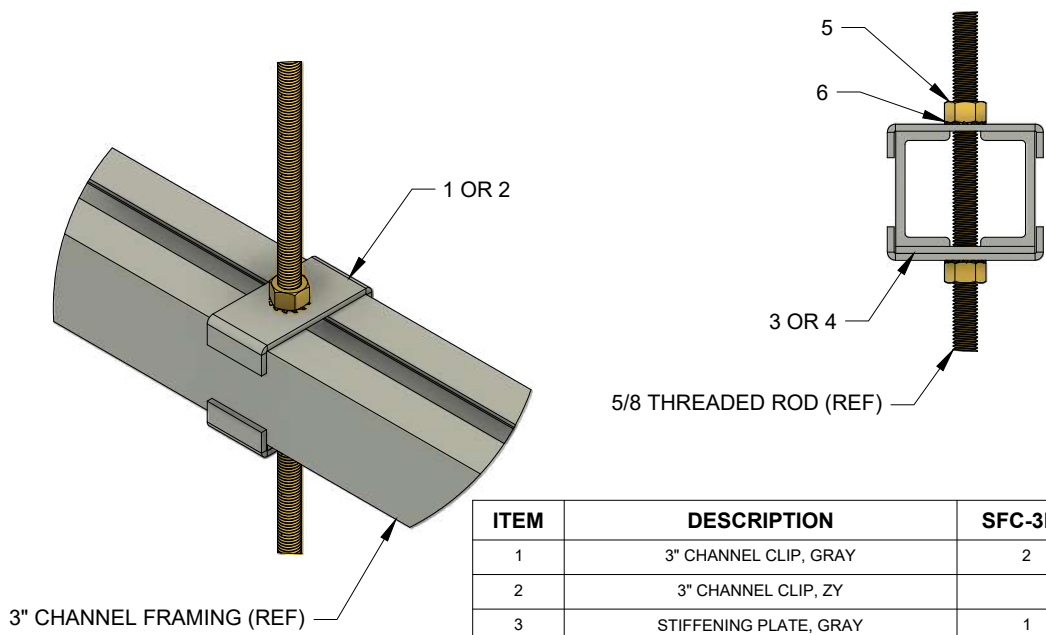
ITEM	DESCRIPTION	SFC-3-822
1	3" CHANNEL CLIP	6
2	SPLICE T-BAR FOR 3" CHANNEL	2
3	5/8-11 x 5" HEX BOLT, ZY	3
4	5/8-11 HEX NUT, ZY	3
5	5/8 EXTERNAL TOOTH LOCK WASHER, ZY	3

(05/02/22)



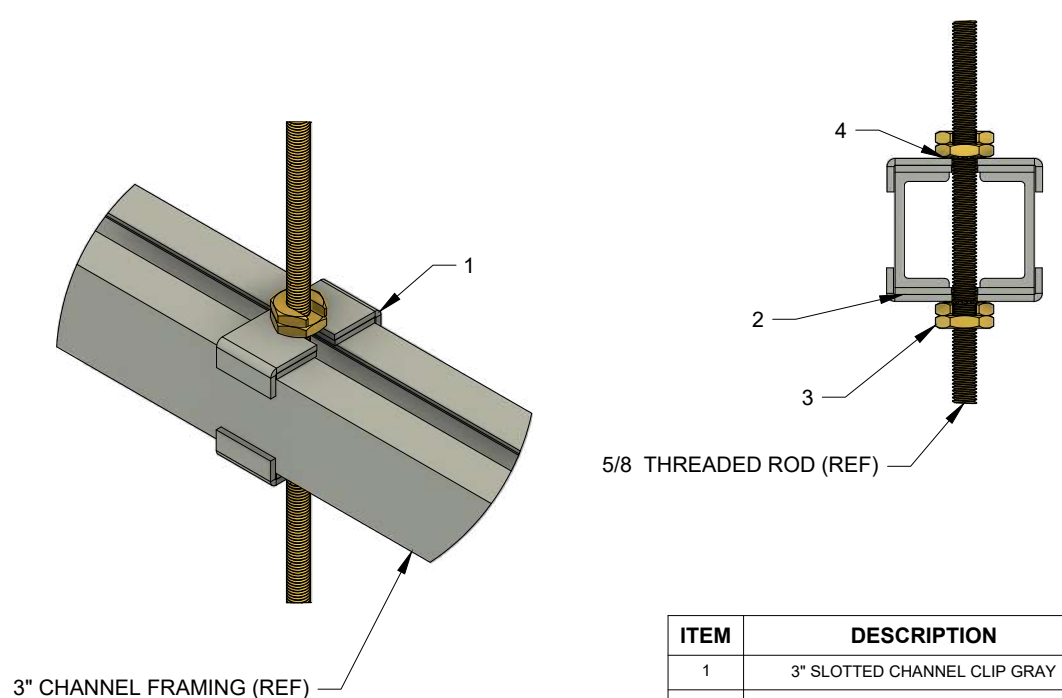
Moreng Telecom Products
 973-237-2001
www.morengtel.com

CONNECTION OF 5/8 HANGER ROD TO 3" CHANNEL FRAMING



ITEM	DESCRIPTION	SFC-3K2	SFC-3K2-Y
1	3" CHANNEL CLIP, GRAY	2	
2	3" CHANNEL CLIP, ZY		2
3	STIFFENING PLATE, GRAY	1	
4	STIFFENING PLATE, ZY		1
5	5/8-11 HEX NUT, ZY	2	2
6	5/8 EXTERNAL TOOTH LOCK WASHER, ZY	2	2

CONNECTION OF EXISTING 5/8 HANGER ROD TO 3" CHANNEL FRAMING

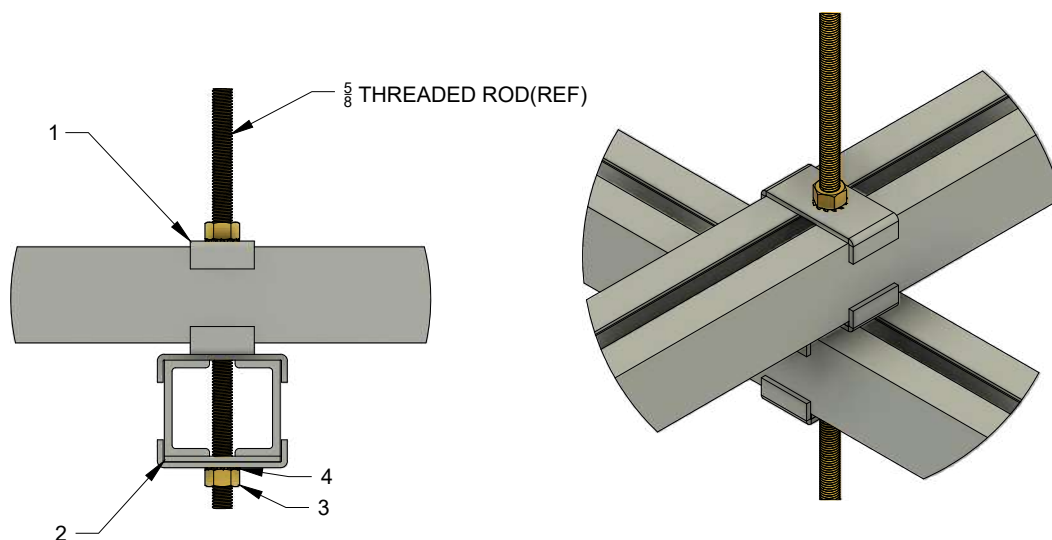


ITEM	DESCRIPTION	SFC-3K2M
1	3" SLOTTED CHANNEL CLIP GRAY	2
2	SLOTTED STIFFENING PLATE, GRAY	2
3	5/8-11 HEX NUT, ZY	2
4	5/8 EXTERNAL TOOTH LOCK WASHER, ZY	2

(05/02/22)

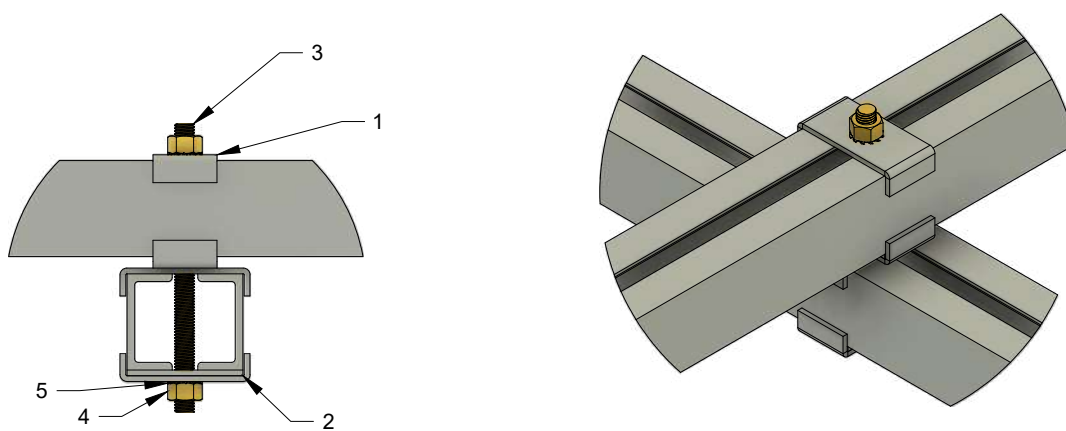


CONNECTION OF 5/8" HANGER ROD TO 3" CHANNEL FRAMING AT CROSS-OVER



ITEM	DESCRIPTION	SFC-3K4X
1	3" CHANNEL CLIP	4
2	STIFFENING PLATE	2
3	5/8-11 HEX NUT, ZY	2
4	5/8 EXTERNAL TOOTH LOCK WASHER, ZY	2

CONNECTION OF 3" CHANNELS AT CROSS OVER (NOT A POINT OF SUPPORT)



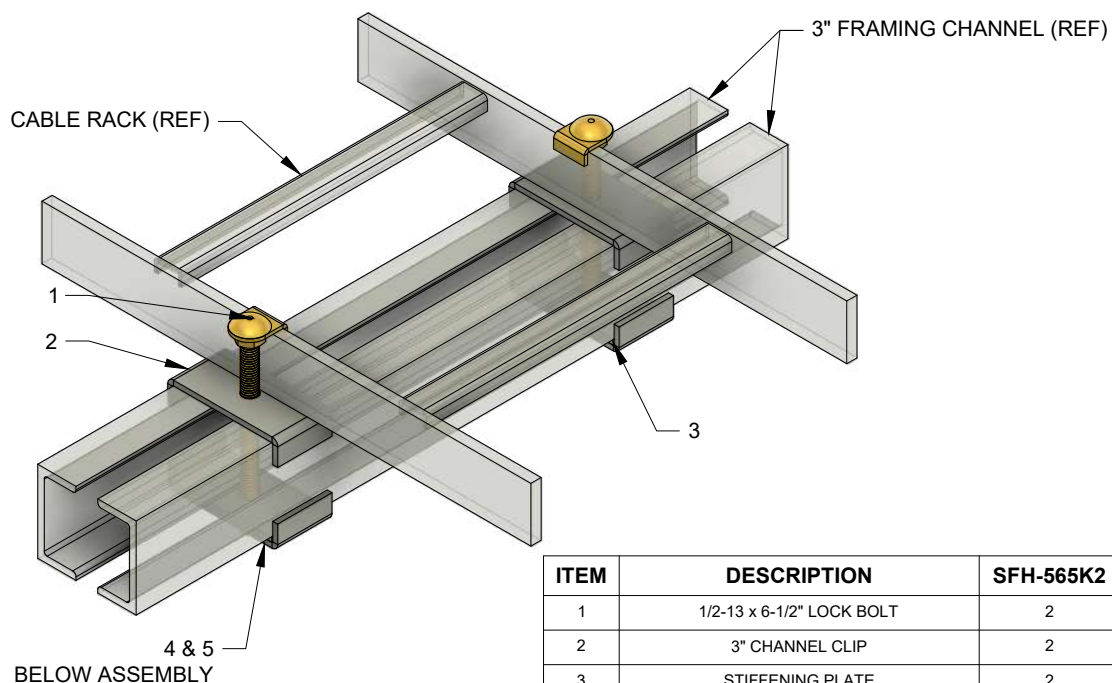
ITEM	DESCRIPTION	SFC-3K4X-9
1	3" CHANNEL CLIP	4
2	STIFFENING PLATE	2
3	5/8-11 x 9" THREADED ROD, ZY	1
4	5/8-11 HEX NUT, ZY	2
5	5/8 EXTERNAL TOOTH LOCK WASHER, ZY	2

(05/02/22)



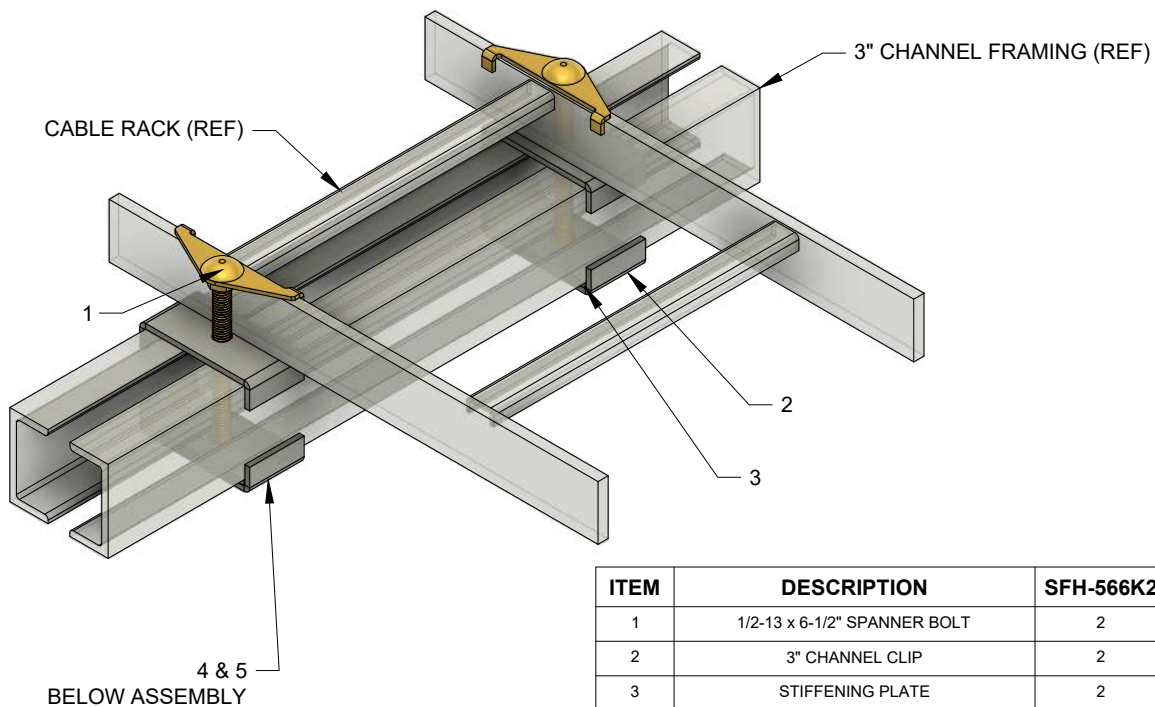
Moreng Telecom Products
 973-237-2001
 www.morengtel.com

SINGLE 2" CABLE RACK J-BOLT SUPPORT KIT OVER 3" FRAMING CHANNEL



ITEM	DESCRIPTION	SFH-565K2
1	1/2-13 x 6-1/2" LOCK BOLT	2
2	3" CHANNEL CLIP	2
3	STIFFENING PLATE	2
4	1/2-13 HEX NUT, ZY	2
5	1/2 EXTERNAL TOOTH LOCK WASHER, ZY	2

SINGLE 2" CABLE RACK SPANNER BOLT SUPPORT KIT OVER 3" FRAMING CHANNEL



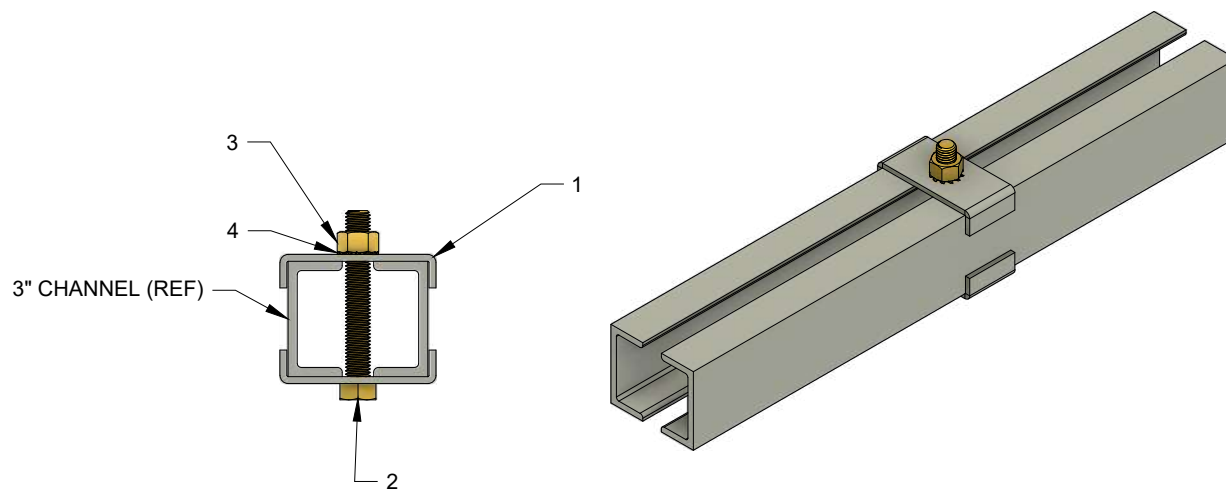
ITEM	DESCRIPTION	SFH-566K2
1	1/2-13 x 6-1/2" SPANNER BOLT	2
2	3" CHANNEL CLIP	2
3	STIFFENING PLATE	2
4	1/2-13 HEX NUT, ZY	2
5	1/2 EXTERNAL TOOTH LOCK WASHER, ZY	2

(05/02/22)



Moreng Telecom Products
973-237-2001
www.morengtel.com

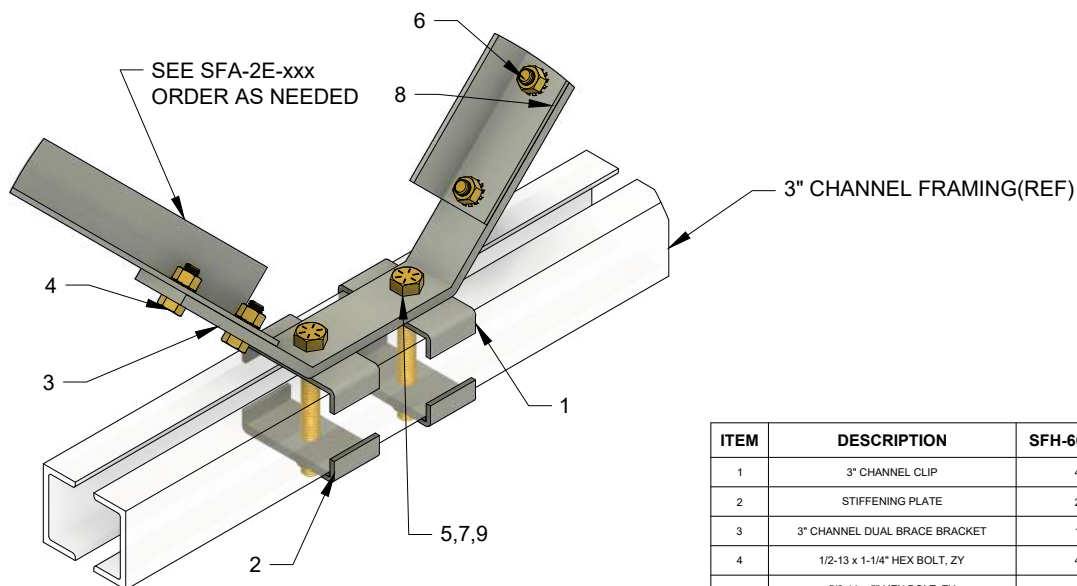
STIFFENING CLIP KITS FOR 3" CHANNEL FRAMING



ITEM	DESCRIPTION	SFC-3-112
1	3" CHANNEL CLIP	2
2	5/8-11 x 4-1/2" HEX BOLT, ZY	1
3	5/8-11 HEX NUT, ZY	1
4	5/8 EXTERNAL TOOTH LOCK WASHER, ZY	1

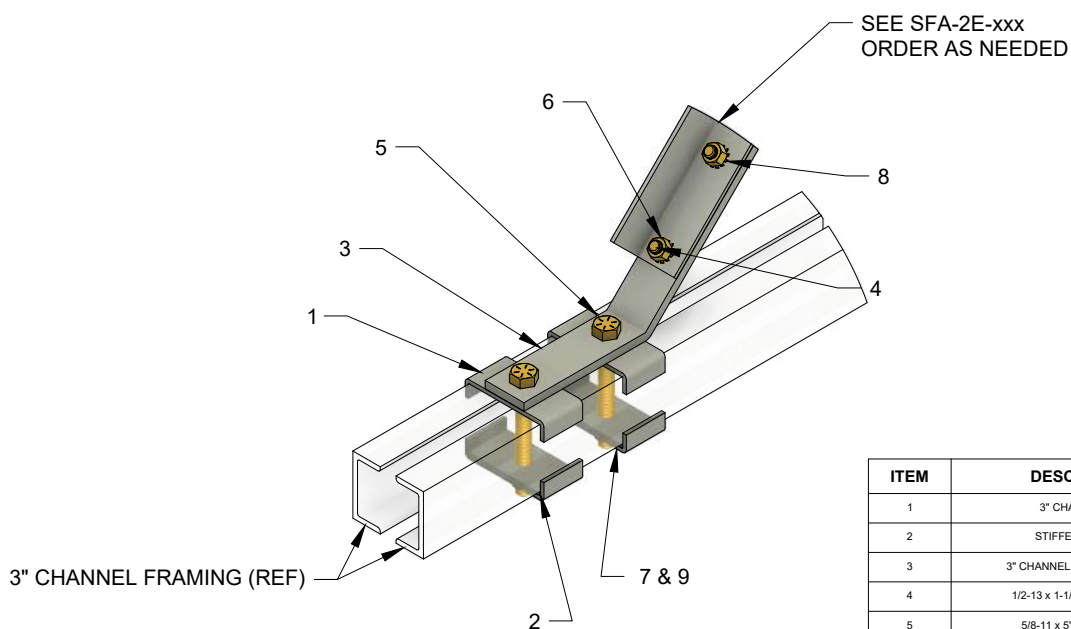


DOUBLE FRAMING BRACE KIT (Z4) (3" CHANNEL FRAMING)



ITEM	DESCRIPTION	SFH-662K3C
1	3" CHANNEL CLIP	4
2	STIFFENING PLATE	2
3	3" CHANNEL DUAL BRACE BRACKET	1
4	1/2-13 x 1-1/4" HEX BOLT, ZY	4
5	5/8-11 x 5" HEX BOLT, ZY	2
6	1/2-13 HEX NUT, ZY	4
7	5/8-11 HEX NUT, ZY	2
8	1/2 EXTERNAL TOOTH LOCK WASHER, ZY	4
9	5/8 EXTERNAL TOOTH LOCK WASHER, ZY	2

SINGLE FRAMING BRACE KIT (Z4) (3" CHANNEL FRAMING)



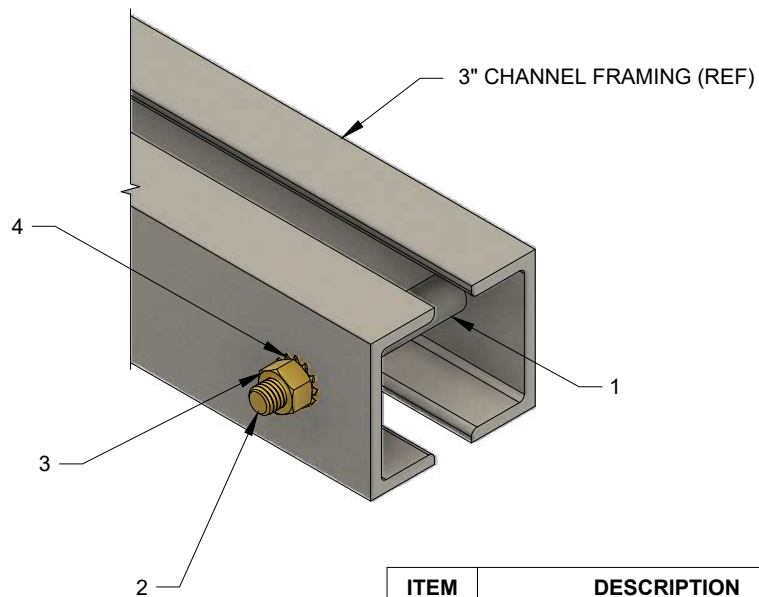
ITEM	DESCRIPTION	SFH-664K3C
1	3" CHANNEL CLIP	4
2	STIFFENING PLATE	2
3	3" CHANNEL BRACE BRACKET	1
4	1/2-13 x 1-1/4" HEX BOLT, ZY	2
5	5/8-11 x 5" HEX BOLT, ZY	2
6	1/2-13 HEX NUT, ZY	2
7	5/8-11 HEX NUT, ZY	2
8	1/2 EXTERNAL TOOTH LOCK WASHER, ZY	2
9	5/8 EXTERNAL TOOTH LOCK WASHER, ZY	2

(04/08/24)



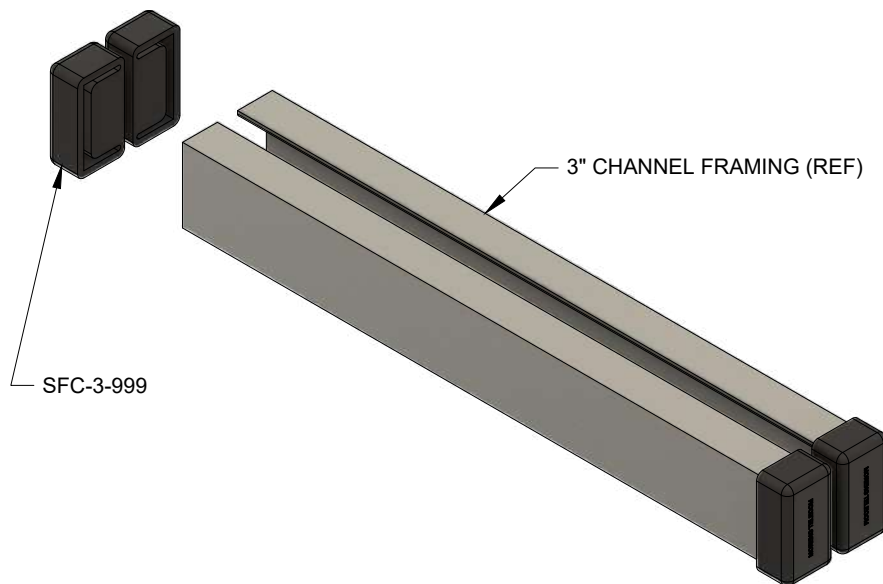
Moreng Telecom Products
973-237-2001
www.morengtel.com

END BOLT KIT CHANNEL FRAMING



ITEM	DESCRIPTION	SFC-3-988
1	1/2" SPACER	1
2	1/2-13 x 4-1/2" HEX BOLT, ZY	1
3	1/2-13 HEX NUT, ZY	1
4	1/2 EXTERNAL TOOTH LOCK WASHER, ZY	1

RUBBER END CAPS FOR 3" CHANNEL FRAMING (PR)



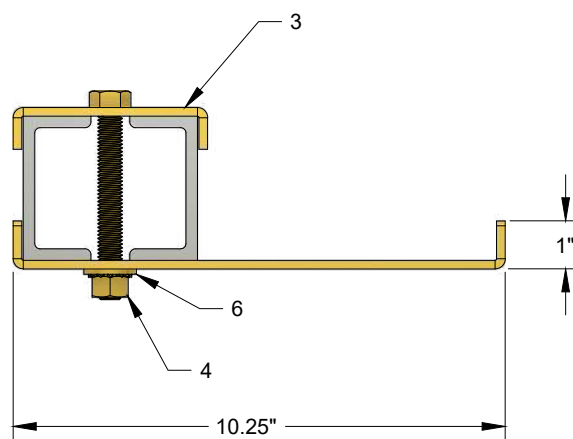
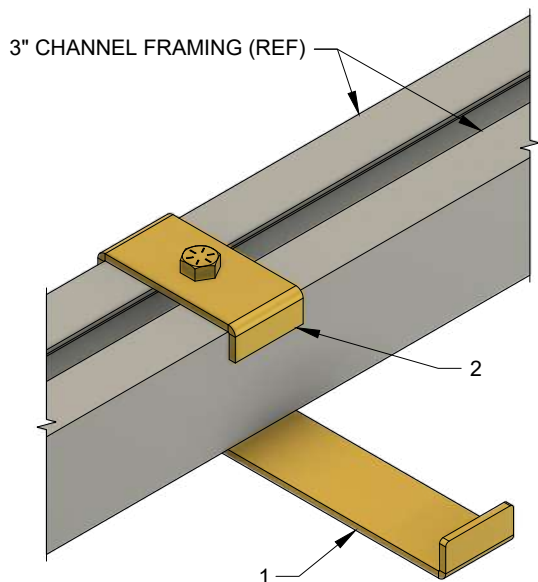
SFC-3-999

(05/02/22)



Moreng Telecom Products
 973-237-2001
 www.morengtel.com

CONNECTION OF CABLE BRACKET TO 3" CHANNEL FRAMING



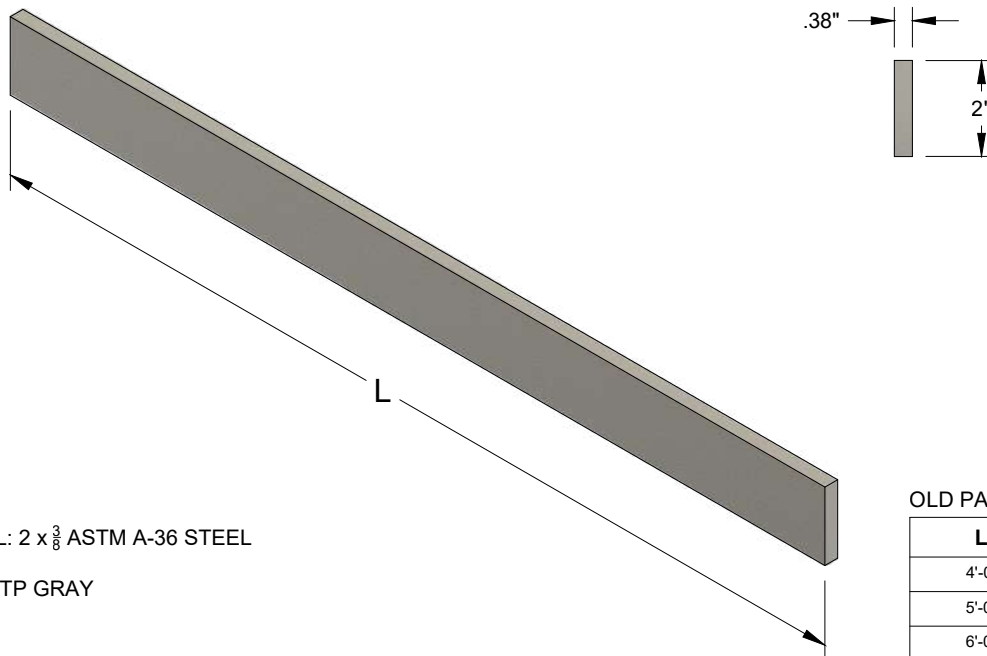
ITEM	DESCRIPTION	SFC-3-857K
1	10-1/4" CABLE BRACKET	1
2	3" CHANNEL CLIP, ZY	1
3	1/2-13 x 4" HEX BOLT, ZY	1
4	1/2-13 HEX NUT, ZY	1
5	1/2 FLAT WASHER, ZY	1
6	1/2 EXTERNAL TOOTH LOCK WASHER, ZY	1



FRAMING BAR (2 and 4" BAR)



FRAMING BAR - 2" x 3/8"



MATERIAL: 2 x $\frac{3}{8}$ ASTM A-36 STEEL

FINISH: MTP GRAY

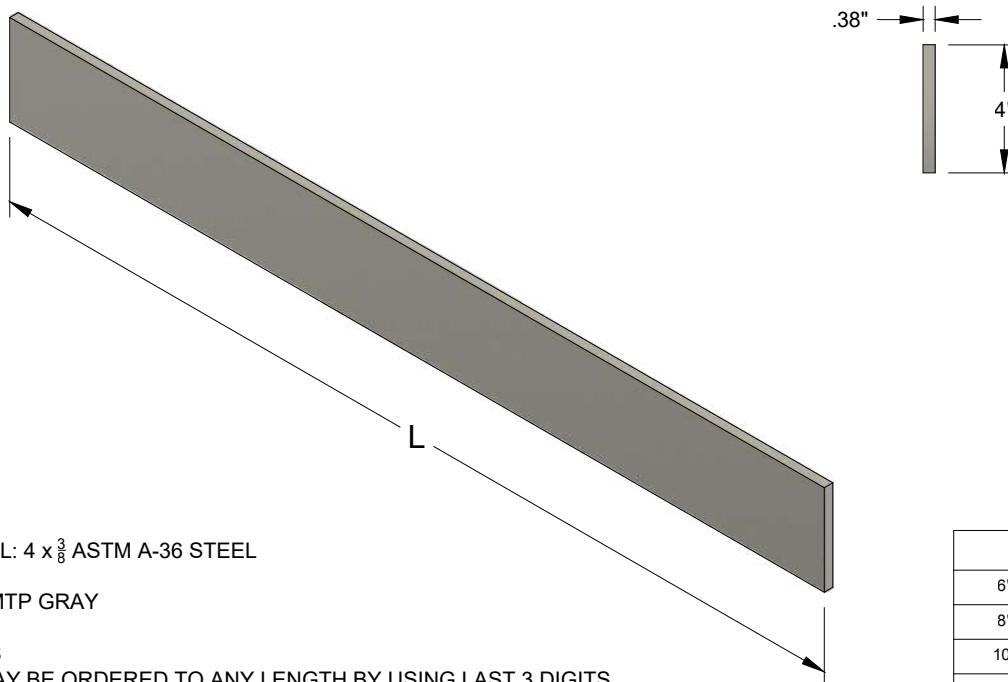
OPTIONS

- MAY BE ORDERED TO ANY LENGTH BY USING LAST 3 DIGITS OF PART NUMBER AS REQUIRED LENGTH (IN INCHES)
- FOR ZINC-YELLOW PLATED BARS ADD Y AT THE END OF PART #
- FOR ORANGE FINISH BARS ADD Y AT THE END OF PART #

OLD PART # WAS SFB-2-xxx

L	PART #
4'-0"	CRB-2-048
5'-0"	CRB-2-060
6'-0"	CRB-2-072
8'-0"	CRB-2-096
10'-0"	CRB-2-120
VARIABLE	CRB-2-xxx

FRAMING BAR - 4" x 3/8"



MATERIAL: 4 x $\frac{3}{8}$ ASTM A-36 STEEL

FINISH: MTP GRAY

OPTIONS

- MAY BE ORDERED TO ANY LENGTH BY USING LAST 3 DIGITS OF PART NUMBER AS REQUIRED LENGTH (IN INCHES)
- FOR ZINC-YELLOW PLATED BARS ADD Y AT THE END OF PART #

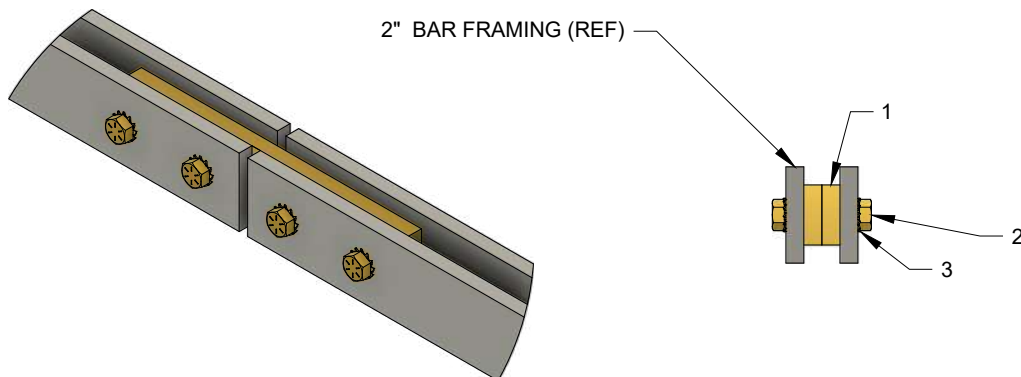
L	PART #
6'-0"	SFB-4-072
8'-0"	SFB-4-096
10'-0"	SFB-4-120
12'-0"	SFB-4-144
20'-0"	SFB-4-240
VARIABLE	SFB-4-xxx

(05/24/23)



Moreng Telecom Products
973-237-2001
www.morengtel.com

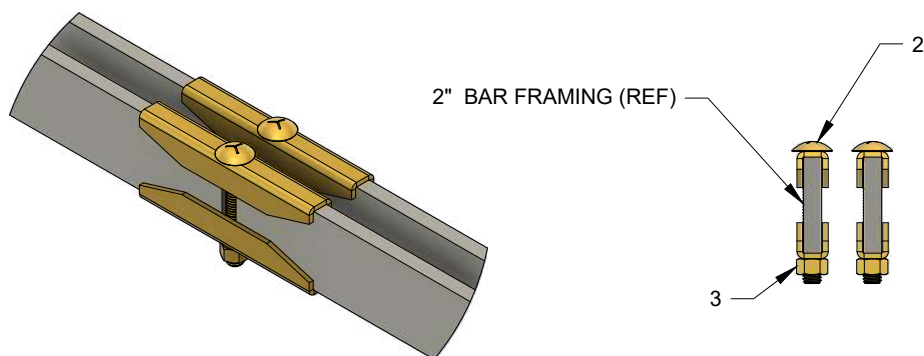
2" BAR FRAMING SPLICE (SEISMIC BOLTED-GR1275)



FINISH: ZINC PLATE & YELLOW CHROMATE

ITEM	DESCRIPTION	SFB-1-350
1	SPLICE PLATE	2
2	3/8-16 x 3/4" HEX BOLT, ZY	8
3	3/8 EXTERNAL TOOTH LOCK WASHER, ZY	8

2" BAR FRAMING SPLICE



FINISH: ZINC PLATE & YELLOW CHROMATE

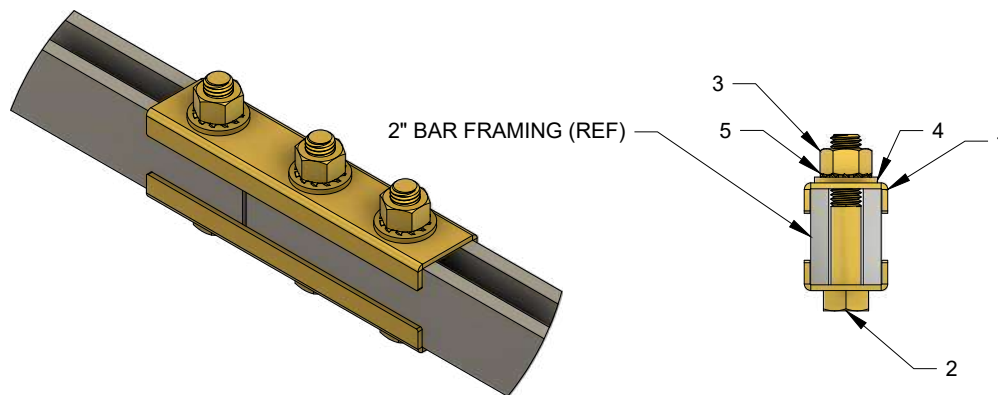
ITEM	DESCRIPTION	CR2-221
1	SPLICE BRACKET	4
2	3/8-16 x 2-3/4" CARRIAGE BOLT, ZY	2
3	3/8-16 HEX NUT, ZY	2

(04/08/24)



Moreng Telecom Products
973-237-2001
www.morengtel.com

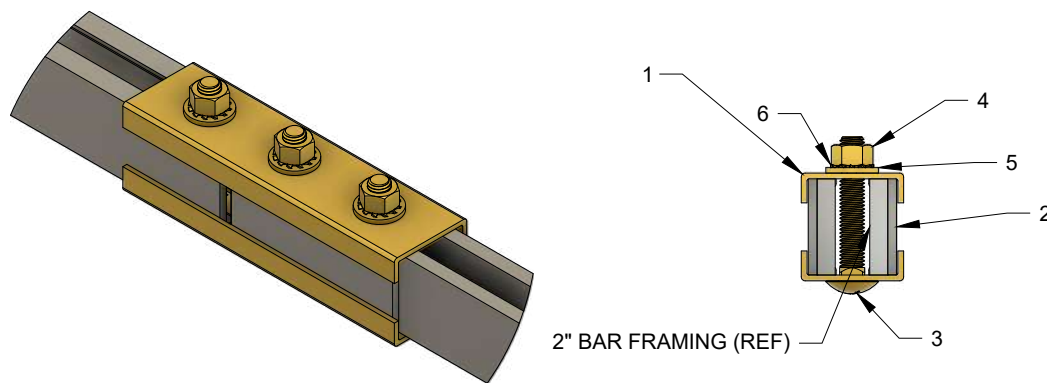
SPLICING OF 2" BAR FRAMING (3 BOLT)



FINISH: ZINC PLATE & YELLOW CHROMATE

ITEM	DESCRIPTION	SFB-1-815
1	SPLICE CHANNEL	2
2	5/8-11 x 3-1/4" HEX BOLT, ZY	3
3	5/8-11 HEX NUT, ZY	3
4	5/8 FLAT WASHER, ZY	3
5	5/8 EXTERNAL TOOTH LOCK WASHER, ZY	3

SPLICING OF 2" CHANNEL TO 2" BAR FRAMING (3 BOLT)



FINISH: ZINC PLATE & YELLOW CHROMATE

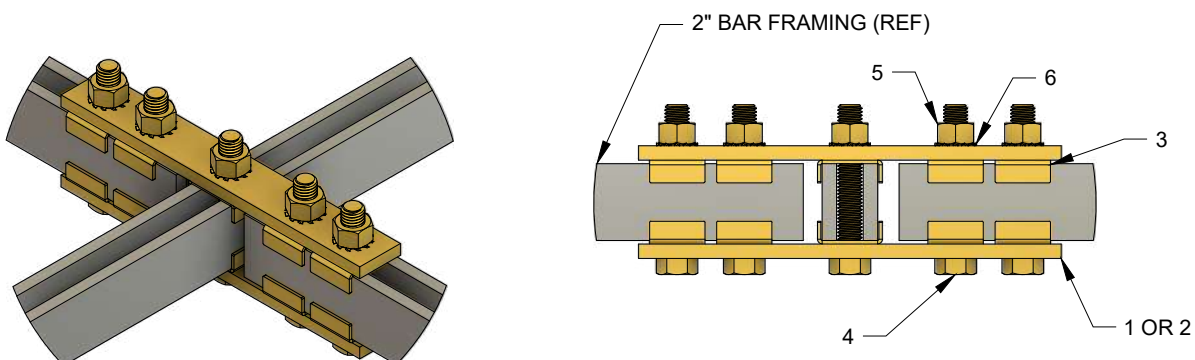
ITEM	DESCRIPTION	SFC-2-819
1	SPLICE CHANNEL	2
2	SHIM	2
3	1/2-13 x 3" CARRIAGE BOLT, ZY	3
4	1/2-13 HEX NUT, ZY	3
5	1/2 FLAT WASHER, ZY	3
6	1/2 EXTERNAL TOOTH LOCK WASHER, ZY	3

(04/08/24)



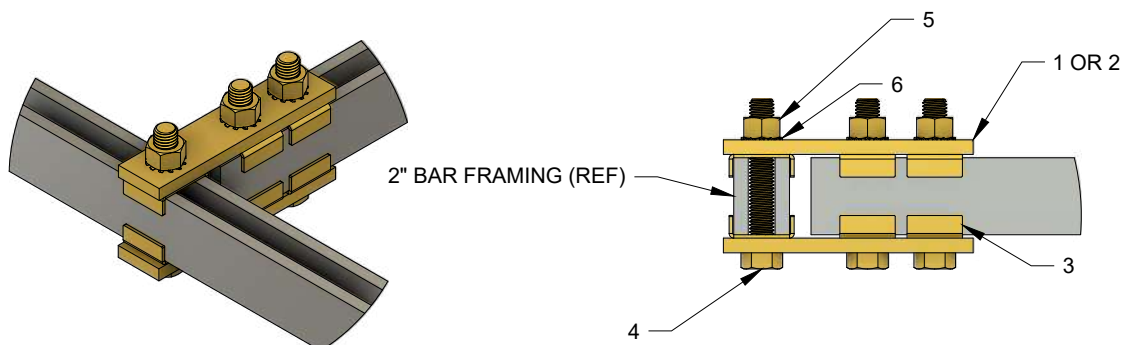
Moreng Telecom Products
973-237-2001
www.morengtel.com

2" BAR FRAMING SPLICE AT SAME LEVEL (CROSS) GR-1275-CORE



ITEM	DESCRIPTION	SFB-1-820	SFB-1-820Y
1	SPLICE BAR, GRAY	2	
2	SPLICE BAR, ZY		2
3	BAR CLIP	10	10
4	5/8-11 x 4" HEX BOLT, ZY	5	5
5	5/8-11 HEX NUT, ZY	5	5
6	5/8 EXTERNAL TOOTH LOCK WASHER, ZY	5	5

2" BAR FRAMING SPLICE AT THE SAME LEVEL (TEE) GR-1275-CORE



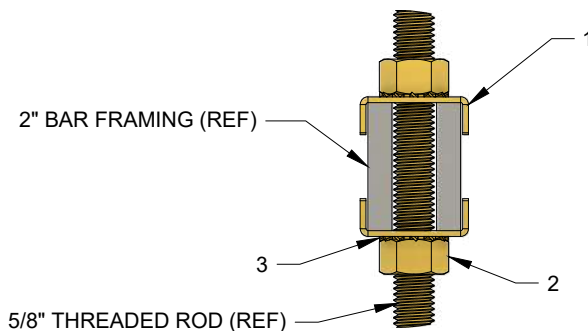
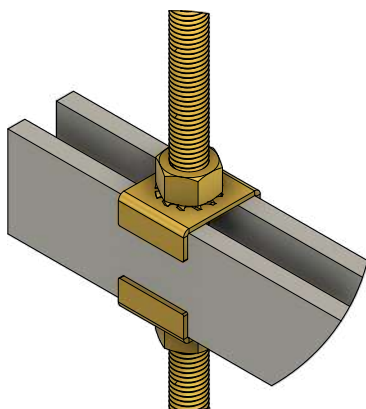
ITEM	DESCRIPTION	SFB-1-822	SFB-1-822Y
1	SPLICE BAR, GRAY	2	
2	SPLICE BAR, ZY		2
3	BAR CLIP	6	6
4	5/8-11 x 4" HEX BOLT, ZY	3	3
5	5/8-11 HEX NUT, ZY	3	3
6	5/8 EXTERNAL TOOTH LOCK WASHER, ZY	3	3

(04/08/24)



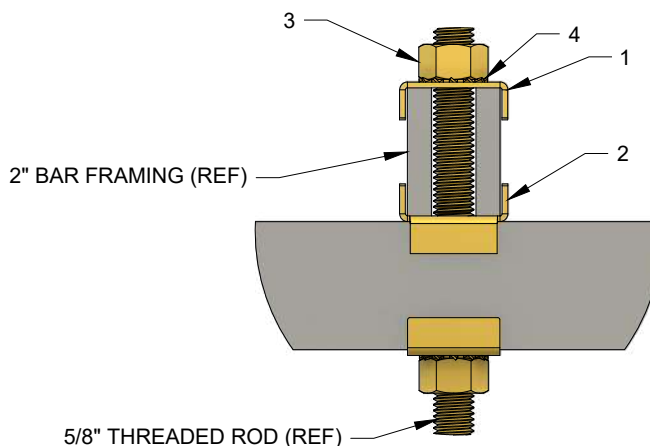
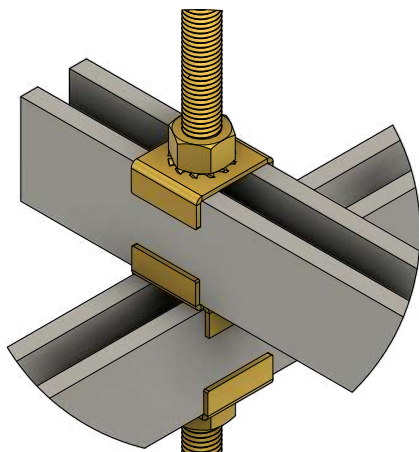
Moreng Telecom Products
973-237-2001
www.morengtel.com

CONNECTION OF $\frac{5}{8}$ " HANGER ROD TO 2" BAR FRAMING



ITEM	DESCRIPTION	SFB-1K2	SFB-1K2E
1	5/8 BAR CLIP	2	2
2	5/8-11 HEX NUT, ZY	2	2
3	5/8 EXTERNAL TOOTH LOCK WASHER, ZY		2

CONNECTION OF PERPENDICULAR 2" BAR FRAMING TO $\frac{5}{8}$ " HANGER ROD (2-1/8" ELEVATION DIFFERENCE)

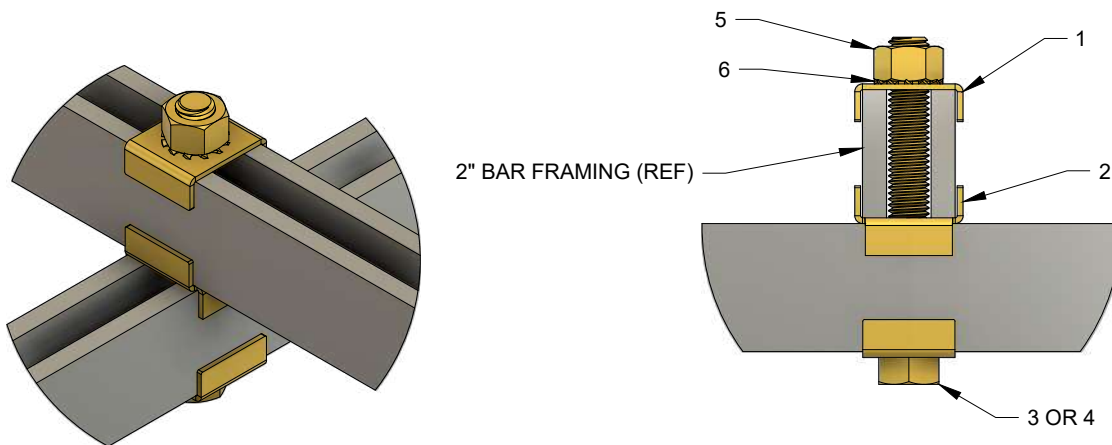


ITEM	DESCRIPTION	SFB-1KX	SFB-1KXE
1	5/8 BAR CLIP	2	2
2	5/8 CROSSOVER BAR CLIP	1	1
3	5/8-11 HEX NUT, ZY	2	2
4	5/8 EXTERNAL TOOTH LOCK WASHER, ZY		2

(04/08/24)



CONNECTION OF PERPENDICULAR 2" BAR FRAMING WITH 5/8" BOLT (2-1/8" ELEVATION DIFFERENCE)



ITEM	DESCRIPTION	SFB-107	SFB-107E
1	5/8" BAR CLIP	2	2
2	5/8" CROSSOVER BAR CLIP	1	1
3	5/8-11 x 5" HEX HEAD BOLT, ZY	1	
4	5/8-11 x 5-1/4" HEX HEAD BOLT, ZY		1
5	5/8-11 HEX NUT, ZY	1	1
6	5/8 EXTERNAL TOOTH LOCK WASHER, ZY		1

END CLIP KIT FOR 2" BAR FRAMING



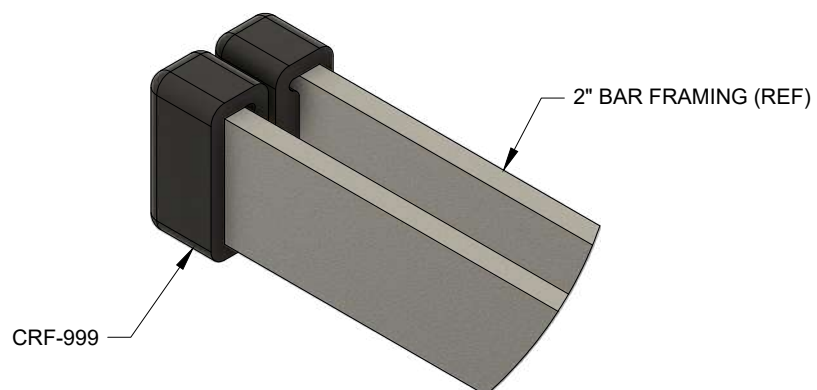
ITEM	DESCRIPTION	SFB-108
1	1/2" BAR CLIP	2
2	1/2-13 x 3" HEX HEAD BOLT, ZY	1
3	1/2-13 HEX NUT, ZY	1
4	1/2 SPRING LOCK WASHER, ZY	1

(04/08/24)



Moreng Telecom Products
 973-237-2001
 www.morengtel.com

UNIVERSAL RUBBER END CAPS FOR 2" AUX CHANNEL OR BAR FRAMING



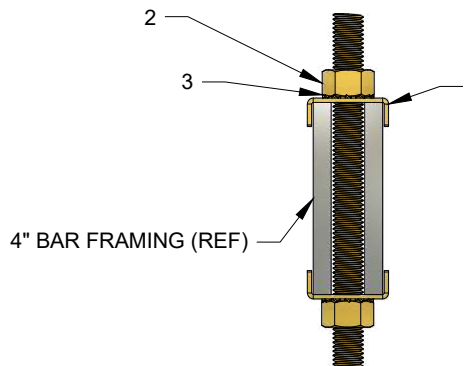
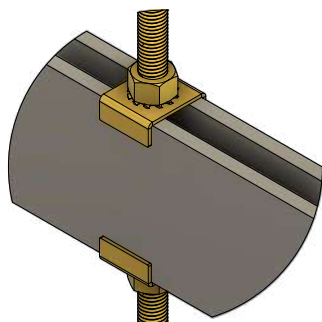
NEW PART #	CRF-999
OLD PART #	CR2-999

(05/24/23)



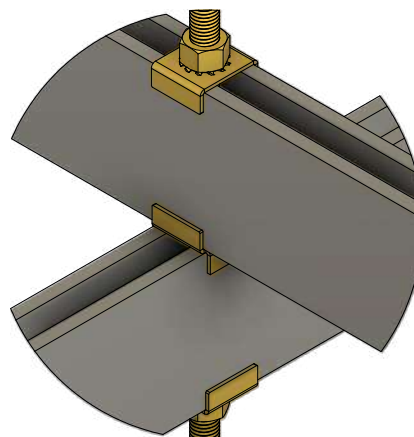
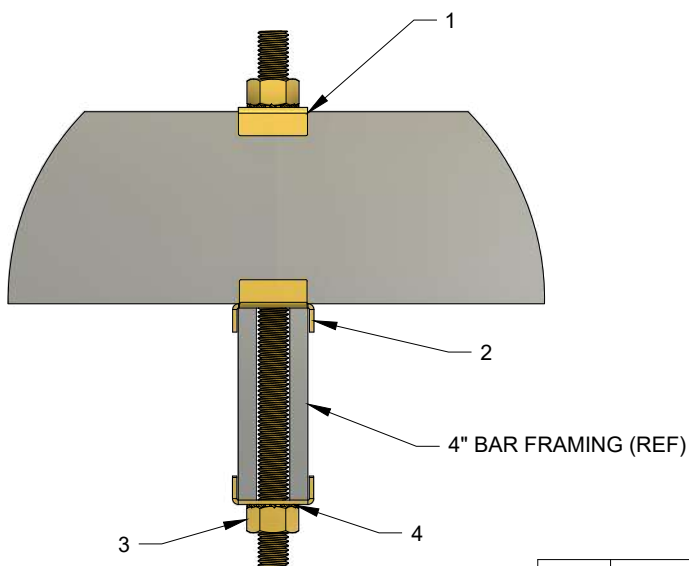
Moreng Telecom Products
973-237-2001
www.morengtel.com

CONNECTION OF $\frac{5}{8}$ " HANGER ROD TO 4" BAR FRAMING



ITEM	DESCRIPTION	SFB-4K2	SFB-4K2E
1	5/8" BAR CLIP	2	2
2	5/8-11 HEX NUT, ZY	2	2
3	5/8 EXTERNAL TOOTH LOCK WASHER, ZY		2

CONNECTION OF PERPENDICULAR 4" BAR FRAMING TO $\frac{5}{8}$ " HANGER ROD (2-1/8" ELEVATION DIFFERENCE)



ITEM	DESCRIPTION	SFB-4KX	SFB-4KXE
1	5/8" BAR CLIP	2	2
2	5/8" CROSSOVER BAR CLIP	1	1
3	5/8-11 HEX NUT, ZY	2	2
4	5/8 EXTERNAL TOOTH LOCK WASHER, ZY		2

(04/08/24)

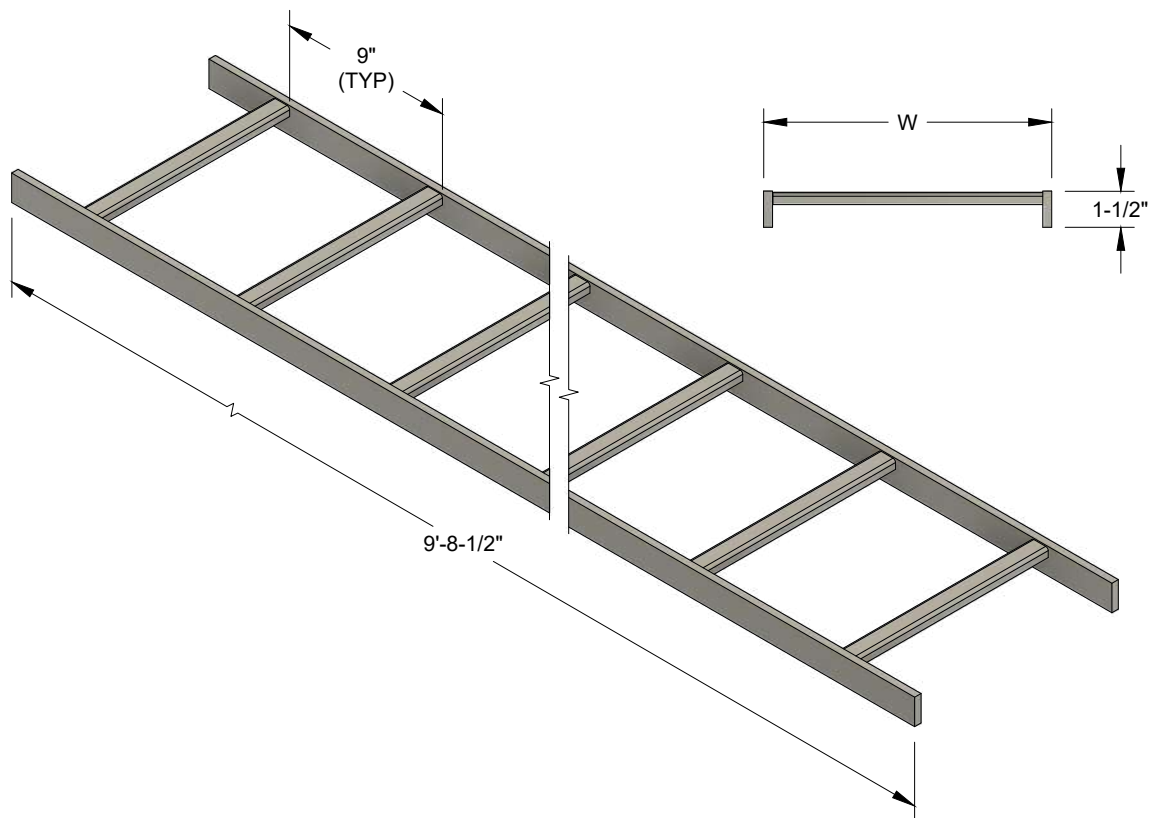


CABLE RACK



CABLE RACK - CR1 SERIES

1-1/2" SOLID SIDE BAR



MATERIAL: CARBON STEEL

- SIDE BARS: $\frac{3}{8}$ A-36
- RUNGS: 0.12 A-569

STANDARD FINISHES:

- MTP GRAY POWDER
- SAFETY ORANGE POWDER
- ZINC-TRIVALENT CHROMATE (ROHS)
- BATTERY CASE BLACK POWDER

OTHER SIZES/FINISHES AVAILABLE

W (INCHES)	FINISH			
	MTP GRAY	SAFETY ORANGE	ZY	BLACK
5	CR105120	CR105120-8	CR105120Y	CR105120B
6	CR106120	CR106120-8	CR106120Y	CR106120B
10	CR110120	CR110120-8	CR110120Y	CR110120B
12	CR112120	CR112120-8	CR112120Y	CR112120B
15	CR115120	CR115120-8	CR115120Y	CR115120B
18	CR118120	CR118120-8	CR118120Y	CR118120B
20	CR120120	CR120120-8	CR120120Y	CR120120B

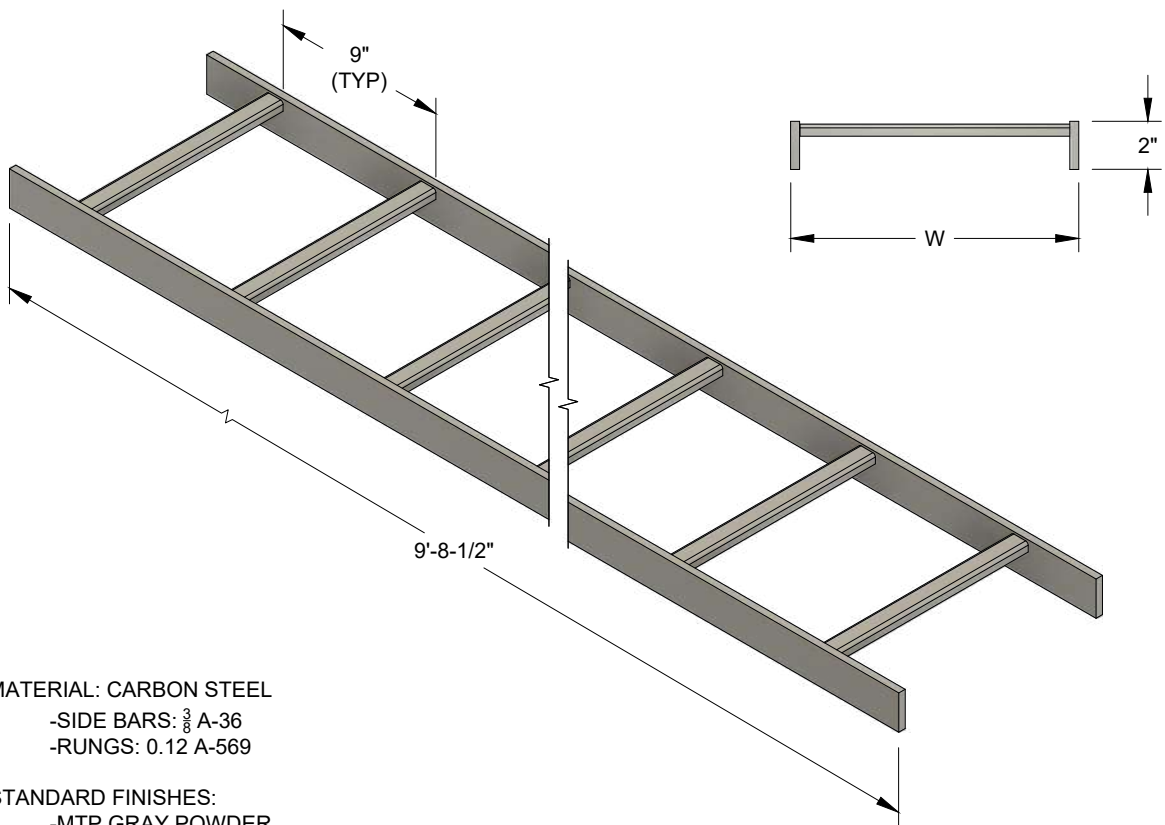
(03/30/23)



Moreng Telecom Products
973-237-2001
www.morengtel.com

CABLE RACK - CR2 SERIES

2" SOLID SIDE BAR



MATERIAL: CARBON STEEL

- SIDE BARS: 3/8 A-36
- RUNGS: 0.12 A-569

STANDARD FINISHES:

- MTP GRAY POWDER
- SAFETY ORANGE POWDER
- ZINC-TRIVALENT CHROMATE(ROHS)
- BATTERY CASE BLACK POWDER

OTHER SIZES/FINISHES AVAILABLE

CABLE RACK OVER 24" WIDE ARE REINFORCED WITH A WELDED BAR AT EVERY OTHER RUNG. AN "R" IS ADDED AT THE END OF THE PART # TO DESIGNATE

W (INCHES)	FINISH			
	MTP GRAY	SAFETY ORANGE	ZINC YELLOW	BLACK
5	CR205120	CR205120-8	CR205120Y	CR205120B
6	CR206120	CR206120-8		CR206120B
8	CR208120	CR208120-8		CR208120B
10	CR210120	CR210120-8	CR210120Y	CR210120B
12	CR212120	CR212120-8	CR212120Y	CR212120B
15	CR215120	CR215120-8	CR215120Y	CR215120B
18	CR218120	CR218120-8	CR218120Y	CR218120B
20	CR220120	CR220120-8	CR220120Y	CR220120B
24	CR224120	CR224120-8	CR224120Y	CR224120B
25	CR225120R	CR225120R-8		CR225120RB
30	CR230120R	CR230120R-8		CR230120RB
36	CR236120R	CR236120R-8		CR236120RB

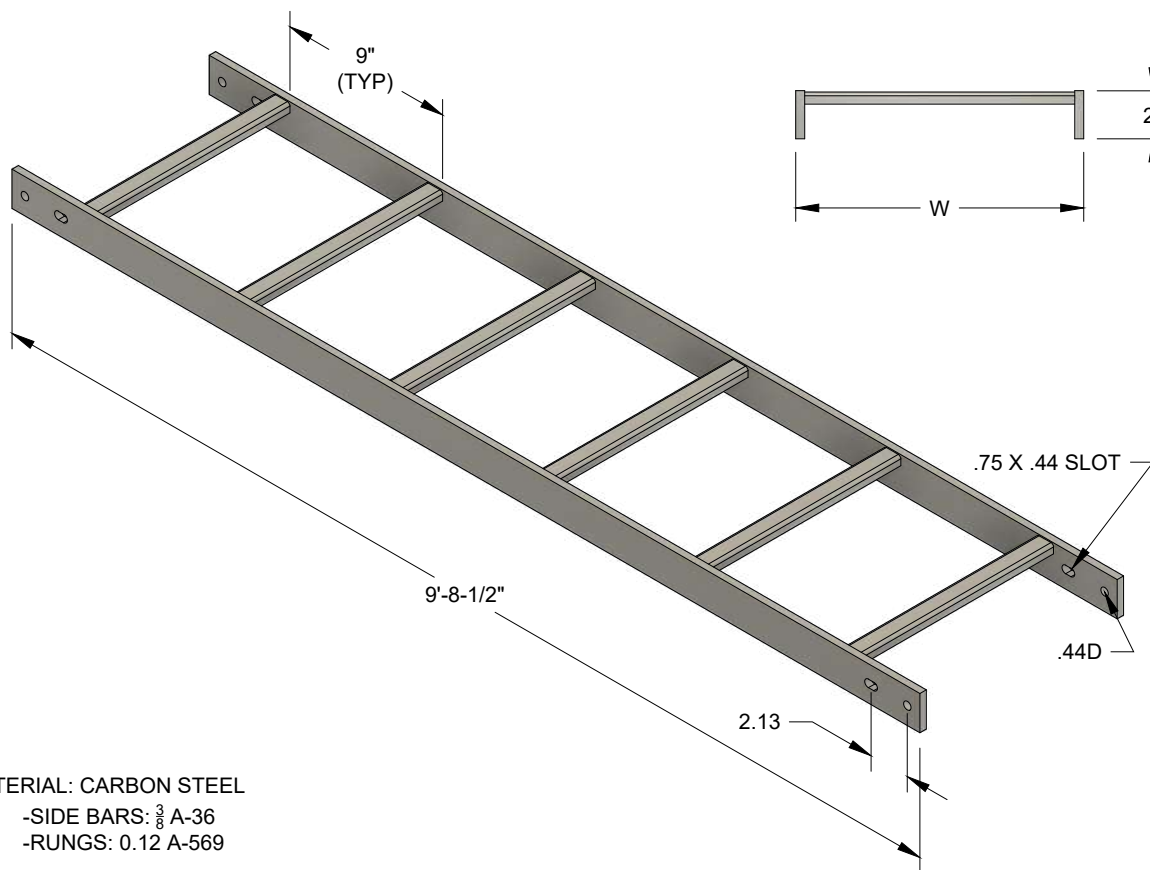
(03/30/23)



Moreng Telecom Products
 973-237-2001
 www.morengtel.com

CABLE RACK - CR2N SERIES

2" SSB FOR BOLTED SPLICES



MATERIAL: CARBON STEEL

- SIDE BARS: ³ A-36
- RUNGS: 0.12 A-569

STANDARD FINISHES:

- MTP GRAY POWDER
- SAFETY ORANGE POWDER
- ZINC-TRIVALENT CHROMATE(ROHS)

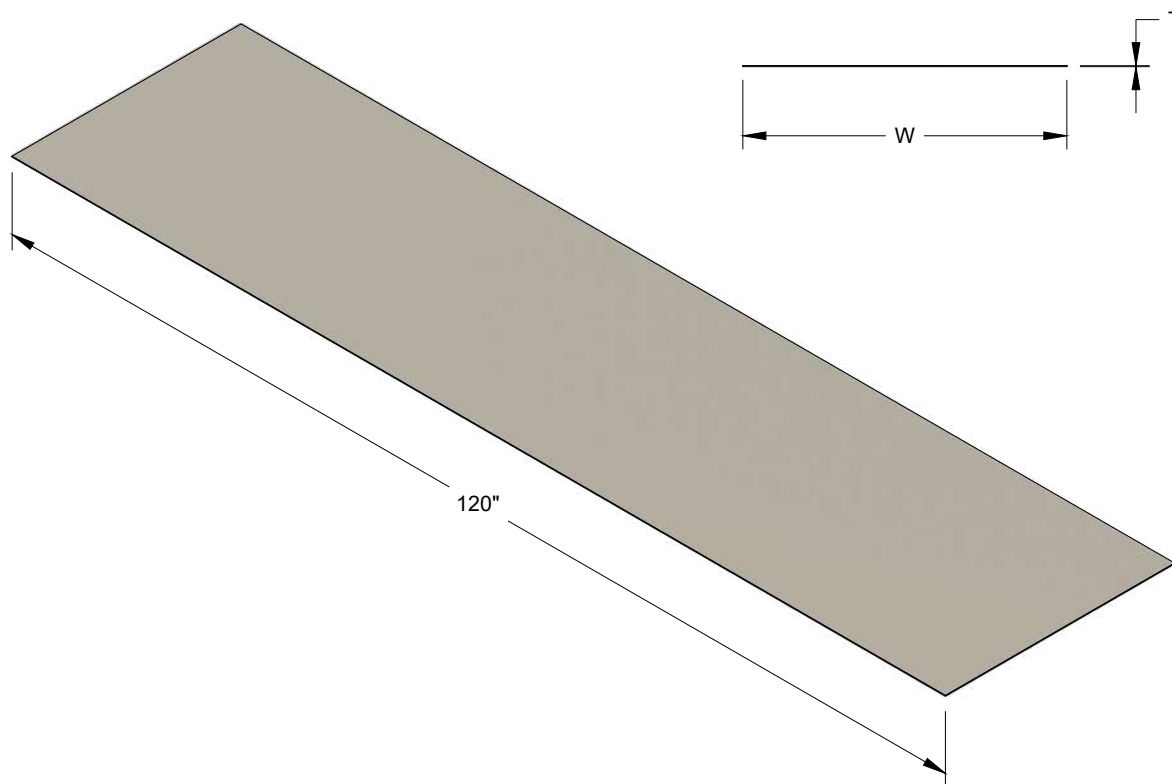
OTHER SIZES/FINISHES AVAILABLE

CABLE RACK OVER 24" WIDE ARE REINFORCED WITH A WELDED BAR AT EVERY OTHER RUNG. AN "R" IS ADDED AT THE END OF THE PART # TO DESIGNATE

W (INCHES)	FINISH	
	MTP GRAY	ZY
5	CR205120N	CR205120NY
10	CR210120N	CR210120NY
12	CR212120N	CR212120NY
15	CR215120N	CR215120NY
18	CR218120N	CR218120NY
20	CR220120N	CR220120NY
24	CR224120N	CR224120NY
25	CR225120RN	CR225120RNY
30	CR230120RN	CR230120RNY
36	CR236120RN	CR236120RNY



KYDEX CABLE RACK PANS



RACK SIZE (INCH)	W (PAN WIDTH) (INCH)	MATERIAL			
		KYDEX - GRAY		KYDEX - ORANGE	
		T=0.028	T=0.040	T=0.028	T=0.060
5	3.5	CPK05120-1	CPK051204-1	CPK05120-8	CPK051206-8
6	4.5	CPK06120-1	CPK061204-1	CPK06120-8	CPK061206-8
10	8.5	CPK10120-1	CPK101204-1	CPK10120-8	CPK101206-8
12	10.5	CPK12120-1	CPK121204-1	CPK12120-8	CPK121206-8
15	13.5	CPK15120-1	CPK151204-1	CPK15120-8	CPK151206-8
18	16.5	CPK18120-1	CPK181204-1	CPK18120-8	CPK181206-8
20	18.5	CPK20120-1	CPK201204-1	CPK20120-8	CPK201206-8
24	22.5	CPK24120-1	CPK241204-1	CPK24120-8	CPK241206-8
25	23.5	CPK25120-1	CPK251204-1	CPK25120-8	CPK251206-8
30	28.5	CPK30120-1	CPK301204-1	CPK30120-8	CPK301206-8
36	34.5	CPK36120-1	CPK361204-1	CPK36120-8	CPK361206-8

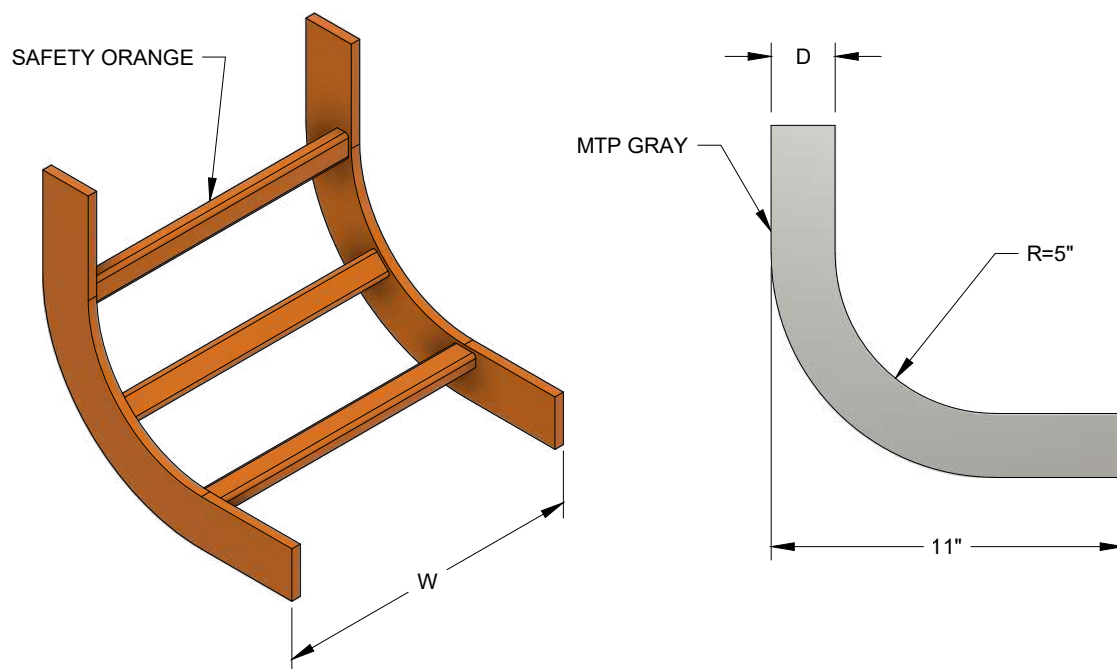
(07/24/24)



Moreng Telecom Products
973-237-2001
www.morengtel.com

CABLE RACK TURNS

(5" INSIDE RADIUS)



MATERIAL: CARBON STEEL (A-36 SIDE BARS)

STANDARD FINISHES:

- MTP GRAY POWDER
- SAFETY ORANGE POWDER

OTHER FINISHES AVAILABLE

D (INCH)	W (INCH)	FINISH	
		MTP GRAY	SAFETY ORANGE
1-1/2	5	CR105T05	CR105T05-8
1-1/2	10	CR110T05	CR110T05-8
1-1/2	12	CR112T05	CR112T05-8
1-1/2	15	CR115T05	CR115T05-8
1-1/2	18	CR118T05	CR118T05-8
1-1/2	20	CR120T05	CR120T05-8
2.00	5	CR205T05	CR205T05-8
2.00	10	CR210T05	CR210T05-8
2.00	12	CR212T05	CR212T05-8
2.00	15	CR215T05	CR215T05-8
2.00	18	CR218T05	CR218T05-8
2.00	20	CR220T05	CR220T05-8
2.00	24	CR224T05	CR224T05-8
2.00	25	CR225T05	CR225T05-8
2.00	30	CR230T05	CR230T05-8

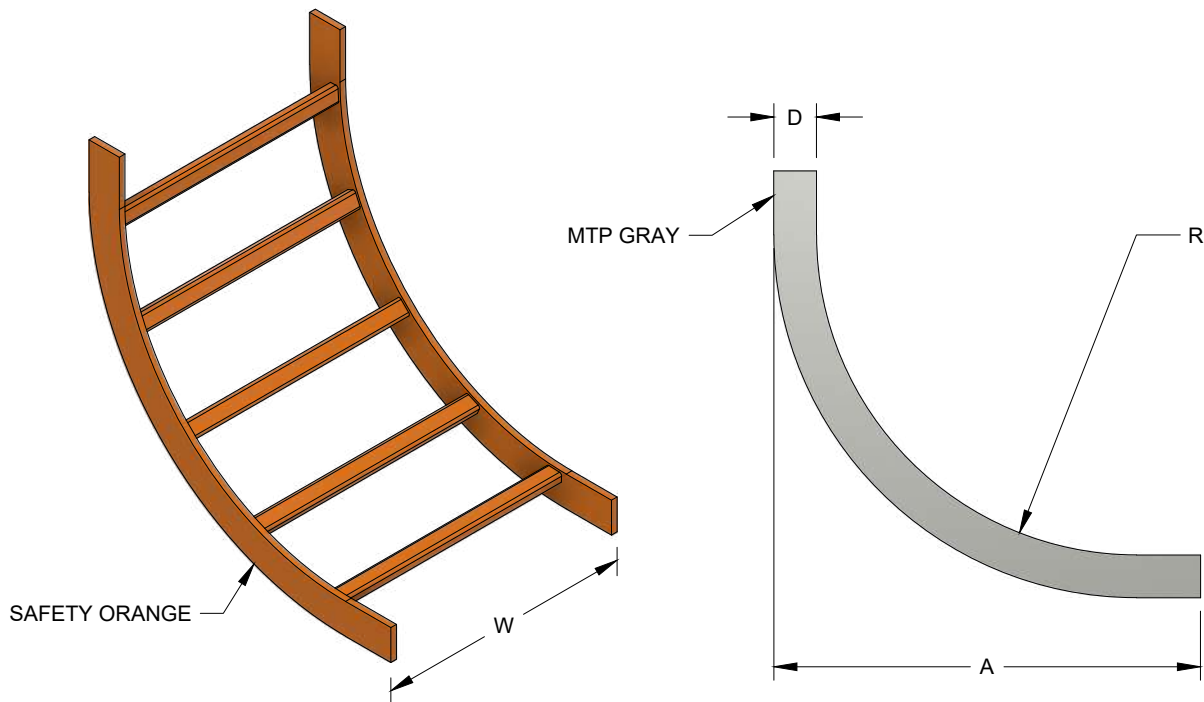
(03/30/23)



Moreng Telecom Products
973-237-2001
www.morengtel.com

CABLE RACK FALLS

(15" & 19" INSIDE RADII)



MATERIAL: CARBON STEEL (A-36 SIDE BARS)

RUNGS ARE REINFORCED FOR W=25" OR GREATER

STANDARD FINISHES:

-MTP GRAY POWDER

-SAFETY ORANGE POWDER

OTHER FINISHES AVAILABLE

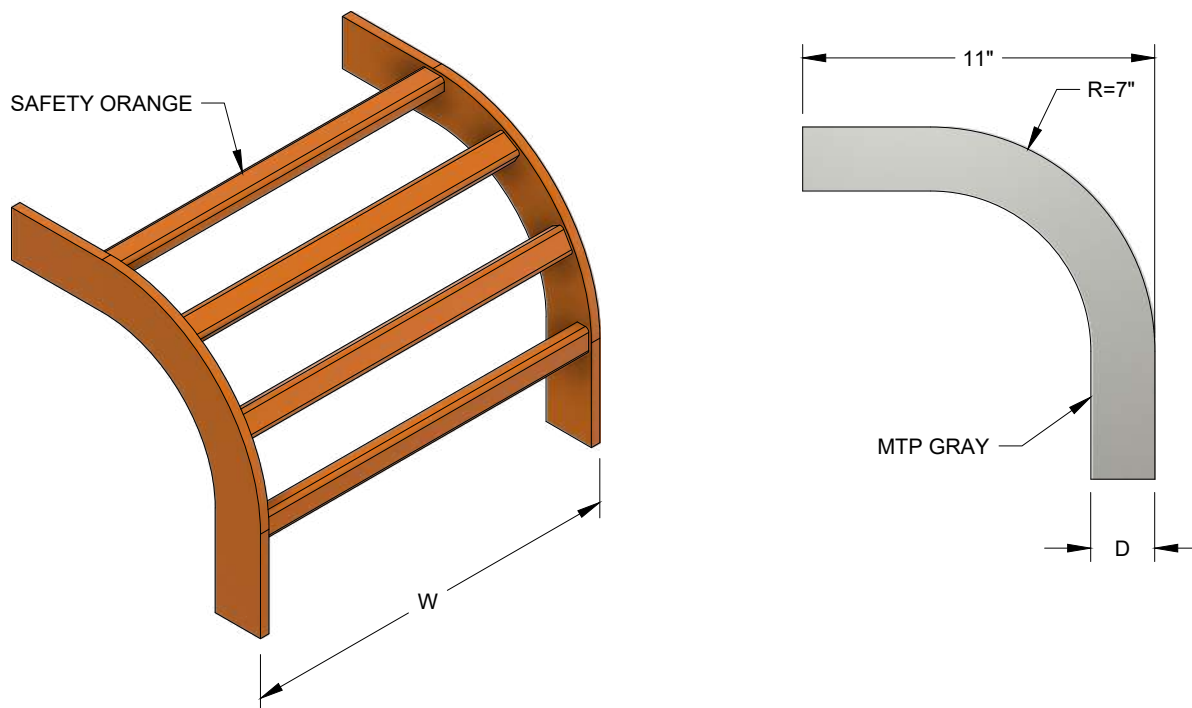
R (INCH)	D (INCH)	W (INCH)	A (INCH)	FINISH	
				MTP GRAY	SAFETY ORANGE
15.50	1-1/2	5	20	CR105FN15	CR105FN15-8
15.50	1-1/2	10	20	CR110FN15	CR110FN15-8
15.50	1-1/2	12	20	CR112FN15	CR112FN15-8
15.00	2.00	15	20	CR215FN15	CR215FN15-8
15.00	2.00	18	20	CR218FN15	CR218FN15-8
15.00	2.00	20	20	CR220FN15	CR220FN15-8
15.00	2.00	24	20	CR224FN15	CR224FN15-8
15.00	2.00	25	20	CR225FN15	CR225FN15-8
15.00	2.00	30	20	CR230FN15	CR230FN15-8
19.00	2.00	15	24	CR215FN19	CR215FN19-8
19.00	2.00	20	24	CR220FN19	CR220FN19-8
19.00	2.00	25	24	CR225FN19	CR225FN19-8
19.00	2.00	30	24	CR230FN19	CR230FN19-8

(03/30/23)



Moreng Telecom Products
973-237-2001
www.morengtel.com

CABLE RACK TURNS (7" OUTSIDE RADIUS)



MATERIAL: CARBON STEEL (A-36 SIDE BARS)

STANDARD FINISHES:

- MTP GRAY POWDER
- SAFETY ORANGE POWDER

OTHER FINISHES AVAILABLE

D (INCH)	W (INCH)	FINISH	
		MTP GRAY	SAFETY ORANGE
1-1/2	5	CR105T07	CR105T07-8
1-1/2	10	CR110T07	CR110T07-8
1-1/2	12	CR112T07	CR112T07-8
1-1/2	15	CR115T07	CR115T07-8
1-1/2	18	CR118T07	CR118T07-8
1-1/2	20	CR120T07	CR120T07-8
2	5	CR205T07	CR205T07-8
2	10	CR210T07	CR210T07-8
2	12	CR212T07	CR212T07-8
2	15	CR215T07	CR215T07-8
2	18	CR218T07	CR218T07-8
2	20	CR220T07	CR220T07-8
2	24	CR224T07	CR224T07-8
2	25	CR225T07	CR225T07-8
2	30	CR230T07	CR230T07-8

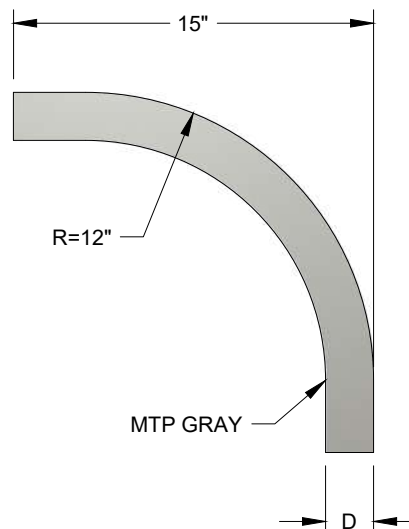
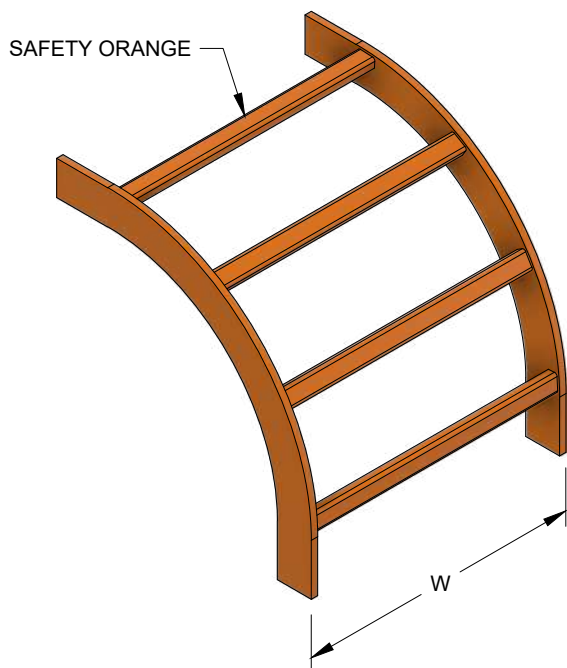
(01/24/24)



Moreng Telecom Products
973-237-2001
www.morengtel.com

CABLE RACK FALLS

(12" OUTSIDE RADIUS)



MATERIAL: CARBON STEEL (A-36 SIDE BARS)

RUNGS ARE REINFORCED FOR W=25 OR GREATER

STANDARD FINISHES:

- MTP GRAY POWDER
- SAFETY ORANGE POWDER

OTHER FINISHES AVAILABLE

D (INCH)	W (INCH)	FINISH	
		GRAY	SAFETY ORANGE
1-1/2	5	CR105FU12	CR105FU12-8
1-1/2	10	CR110FU12	CR110FU12-8
1-1/2	12	CR112FU12	CR212FU12-8
1-1/2	15	CR115FU12	CR115FU12-8
1-1/2	18	CR118FU12	CR118FU12-8
1-1/2	20	CR120FU12	CR120FU12-8
2.00	5	CR205FU12	CR205FU12-8
2.00	10	CR210FU12	CR210FU12-8
2.00	12	CR212FU12	CR212FU12-8
2.00	15	CR215FU12	CR215FU12-8
2.00	18	CR218FU12	CR218FU12-8
2.00	20	CR220FU12	CR220FU12-8
2.00	24	CR224FU12	CR224FU12-8
2.00	25	CR225FU12	CR225FU12-8
2.00	30	CR230FU12	CR230FU12-8

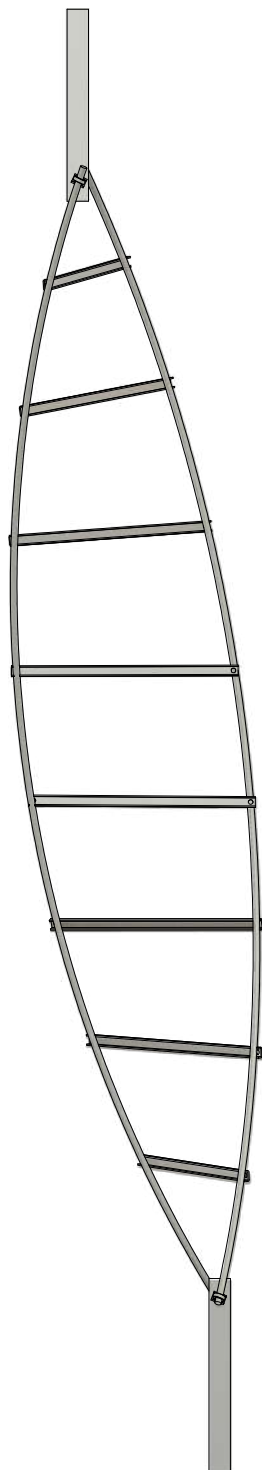
(03/30/23)



Moreng Telecom Products
973-237-2001
www.morengtel.com

CABLE RACK - SPIRAL

1-12" OR 2" SIDE BARS



USED TO TRANSITION HORIZONTAL CABLE RACK
TO VERTICAL CABLE RACK PER TELCORDIA
GR1275 ISS 10 FIGURES 10-93 THRU 10-96

MATERIAL:

STRINGERS: $\frac{5}{8}$ ROUND STEEL

CROSS BARS: 1 x $\frac{1}{2}$ x $\frac{1}{8}$ STEEL CHANNEL

ALL INSTALLATION HARDWARE IS INCLUDED

STANDARD FINISH: MTP GRAY POWDER

OPTIONAL FINISHED:

FOR SAFETY ORANGE, ADD -8 TO END OF PART#

FOR POWDER RED, ADD -9 TO END OF PART#

W = WIDTH OF CABLE RACK

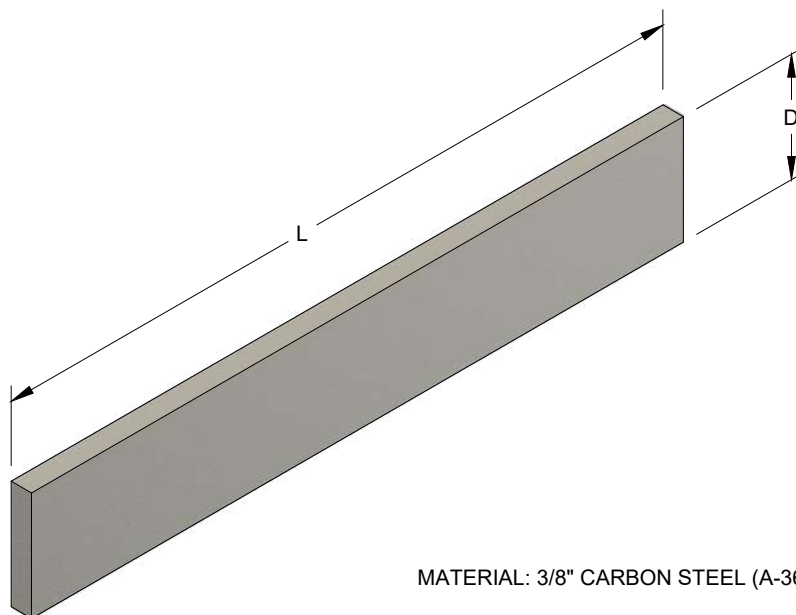
W	DEGREE	PART #
10	90	RSC10V90
10	180	RSC10V180
12	90	RSC12V90
12	180	RSC12V180
15	90	RSC15V90
15	180	RSC15V180
20	90	RSC20V90
20	180	RSC20V180
24	90	RSC24V90
24	180	RSC24V180
25	90	RSC25V90
25	180	RSC25V180
30	90	RSC30V90
30	180	RSC30V180

(04/28/23)



Moreng Telecom Products
973-237-2001
www.morengtel.com

CABLE RACK - END BARS



MATERIAL: 3/8" CARBON STEEL (A-36 SIDE BARS)

STANDARD FINISHES:
 -MTP GRAY POWDER
 -SAFETY ORANGE POWDER

OTHER FINISHES AVAILABLE

D = 1-1/2"

L (INCH)	FINISH	
	MTP GRAY	SAFETY ORANGE
5	CRB-1-005	CRB-1-005-8
6	CRB-1-006	CRB-1-006-8
10	CRB-1-010	CRB-1-010-8
12	CRB-1-012	CRB-1-012-8
15	CRB-1-015	CRB-1-015-8
18	CRB-1-018	CRB-1-018-8
20	CRB-1-020	CRB-1-020-8

D = 2.00"

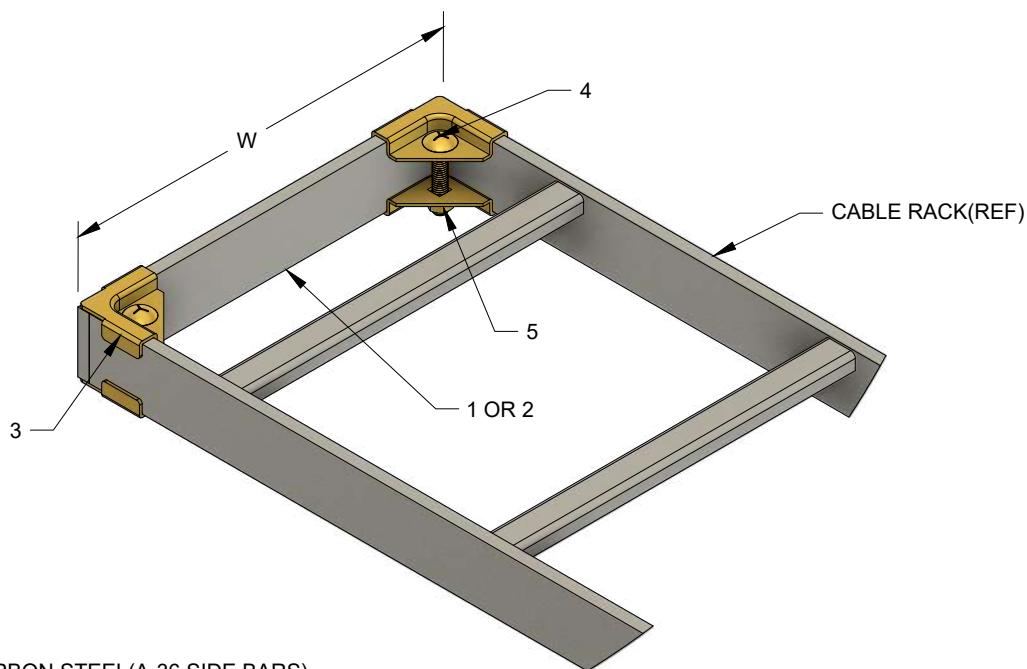
L (INCH)	FINISH	
	MTP GRAY	SAFETY ORANGE
5	CRB-2-005	CRB-2-005-8
10	CRB-2-010	CRB-2-010-8
12	CRB-2-012	CRB-2-012-8
15	CRB-2-015	CRB-2-015-8
18	CRB-2-018	CRB-2-018-8
20	CRB-2-020	CRB-2-020-8
24	CRB-2-024	CRB-2-024-8
25	CRB-2-025	CRB-2-025-8
30	CRB-2-030	CRB-2-030-8
36	CRB-2-036	CRB-2-036-8

(03/30/23)



Moreng Telecom Products
 973-237-2001
www.morengtel.com

CABLE RACK - END BAR KITS



MATERIAL: CARBON STEEL(A-36 SIDE BARS)

STANDARD FINISHES:

- MTP GRAY POWDER
- SAFETY ORANGE POWDER

OTHER FINISHES AVAILABLE

KITS ALSO AVAILABLE USING TUBULAR BARS
(CONTACT US)

ITEM	DESCRIPTION	CRB-1-xxxK	CRB-2-xxxK
1	1.5" END BAR	1	
2	2" END BAR		1
3	CORNER CLAMP	4	4
4	3/8-16 x 2" CARRIAGE BOLT, ZY	2	2
5	3/8-16 HEX NUT, ZY	2	2

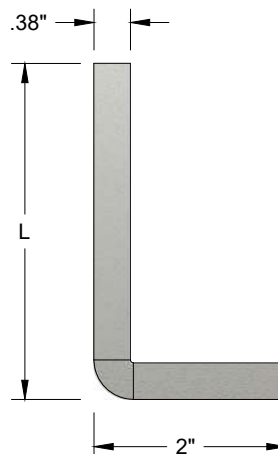
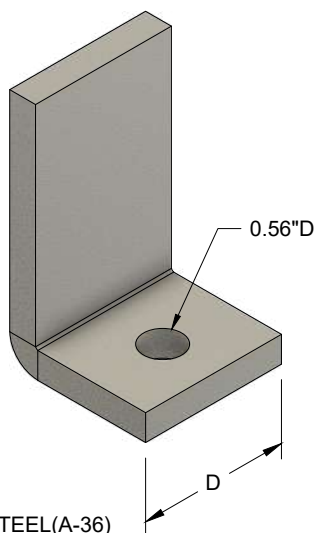
W	1-1/2" SIDE BAR		2" SIDE BAR	
	FINISH		FINISH	
(INCH)	MTP GRAY	SAFETY ORANGE	MTP GRAY	SAFETY ORANGE
5	CRB-1-005K	CRB-1-005K-8	CRB-2-005K	CRB-2-005K-8
6	CRB-1-006K	CRB-1-006K-8	CRB-2-006K	CRB-2-006K-8
9	CRB-1-009K	CRB-1-009K-8	CRB-2-009K	CRB-2-009K-8
10	CRB-1-010K	CRB-1-010K-8	CRB-2-010K	CRB-2-010K-8
12	CRB-1-012K	CRB-1-012K-8	CRB-2-012K	CRB-2-012K-8
15	CRB-1-015K	CRB-1-015K-8	CRB-2-015K	CRB-2-015K-8
18	CRB-1-018K	CRB-1-018K-8	CRB-2-018K	CRB-2-018K-8
20	CRB-1-020K	CRB-1-020K-8	CRB-2-020K	CRB-2-020K-8
24	CRB-1-024K	CRB-1-024K-8	CRB-2-024K	CRB-2-024K-8
25	CRB-1-025K	CRB-1-025K-8	CRB-2-025K	CRB-2-025K-8
30	CRB-1-030K	CRB-1-030K-8	CRB-2-030K	CRB-2-030K-8
36	CRB-1-036K	CRB-1-036K-8	CRB-2-036K	CRB-2-036K-8

(03/30/23)



Moreng Telecom Products
973-237-2001
www.morengtel.com

CABLE RACK FEET



MATERIAL: $\frac{3}{8}$ " CARBON STEEL(A-36)

STANDARD FINISHES:

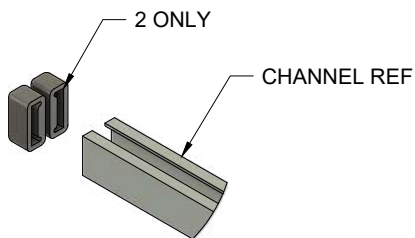
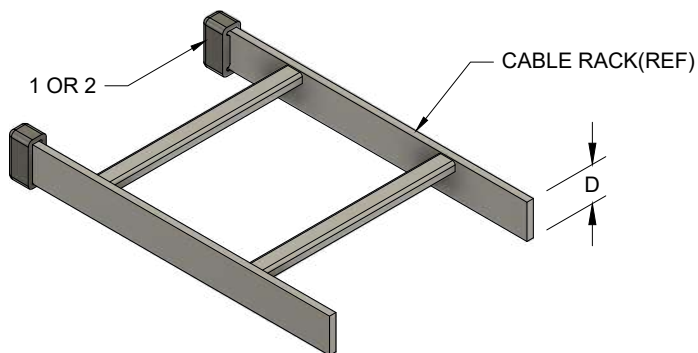
- MTP GRAY POWDER
- SAFETY ORANGE POWDER

OTHER FINISHES & LENGTHS AVAILABLE

FOR CABLE RACK FOOT KITS - SEE NEXT PAGE

D (INCH)	L (INCH)	FINISH	
		MTP GRAY	SAFETY ORANGE
1-1/2	3.50	CR1-863	CR1-863-8
1-1/2	6.00	CR1-864	CR1-864-8
2.00	3.50	CR2-863	CR2-863-8
2.00	3.00	CR2-864	CR2-864-8

RUBBER END CAPS FOR CABLE RACK



ITEM	DESCRIPTION	D	1-1/2"	2"
		CR1-999	CR2-999*	
1	1-1/2" CABLE RACK END CAPS	2		
2*	2" CABLE RACK END CAPS		2	

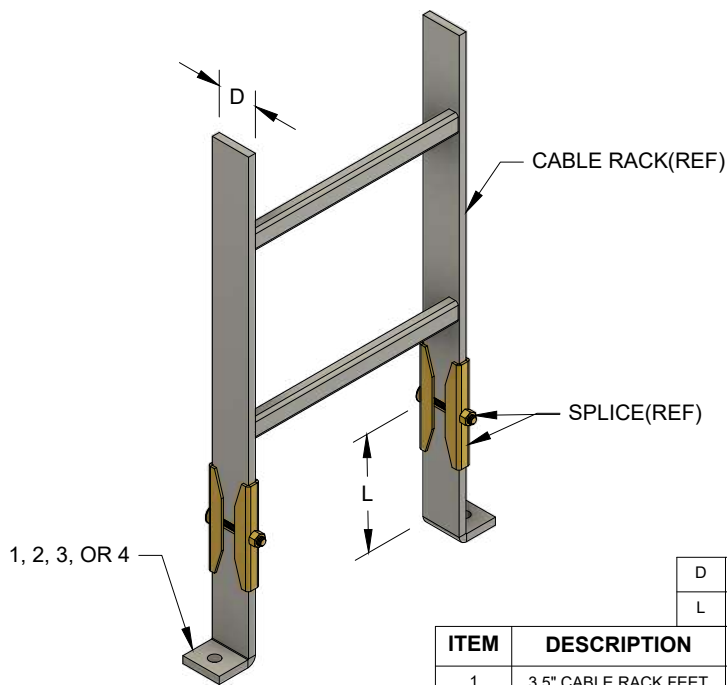
*Item 2 ALSO FITS AUX BAR (CHANNEL)

(03/30/23)



Moreng Telecom Products
973-237-2001
www.morengtel.com

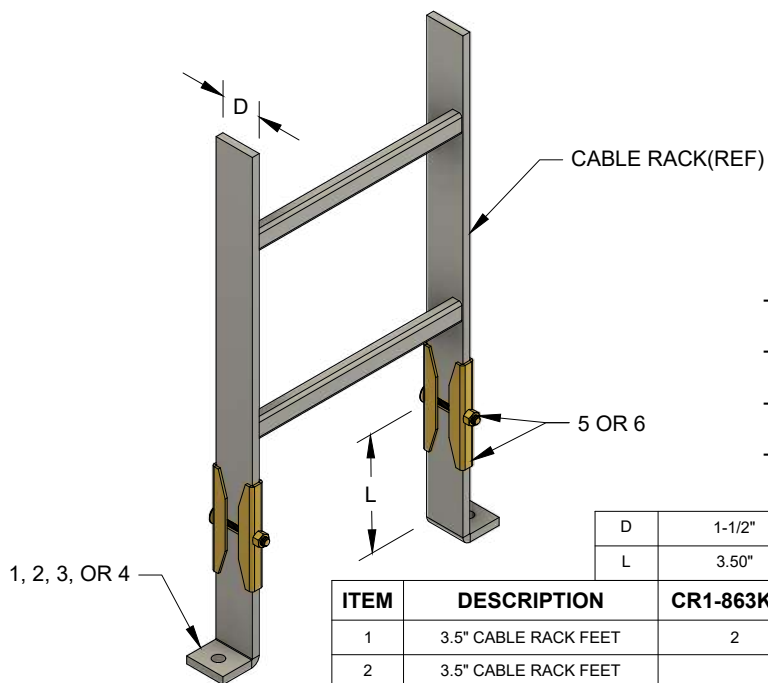
CABLE RACK FEET KITS



- D IS DEPTH OF CABLE RACK SIDE BAR
- FINISH: MTP GRAY POWDER
- OTHER FINISHES AVAILABLE
- CABLE RACK FEET WITH OTHER L AVAILABLE

		D	1-1/2"	2"	1-1/2"	2"
		L	3.50"	3.50"	6"	6"
ITEM	DESCRIPTION	CR1-863K2	CR2-863K2	CR1-864K2	CR2-864K2	
1	3.5" CABLE RACK FEET	2				
2	3.5" CABLE RACK FEET		2			
3	6" CABLE RACK FEET			2		
4	6" CABLE RACK FEET				2	

CABLE RACK FEET KITS WITH SPLICE



- D IS DEPTH OF CABLE RACK SIDE BAR
- FINISH: MTP GRAY POWDER
- OTHER FINISHES AVAILABLE
- CABLE RACK FEET WITH OTHER L AVAILABLE

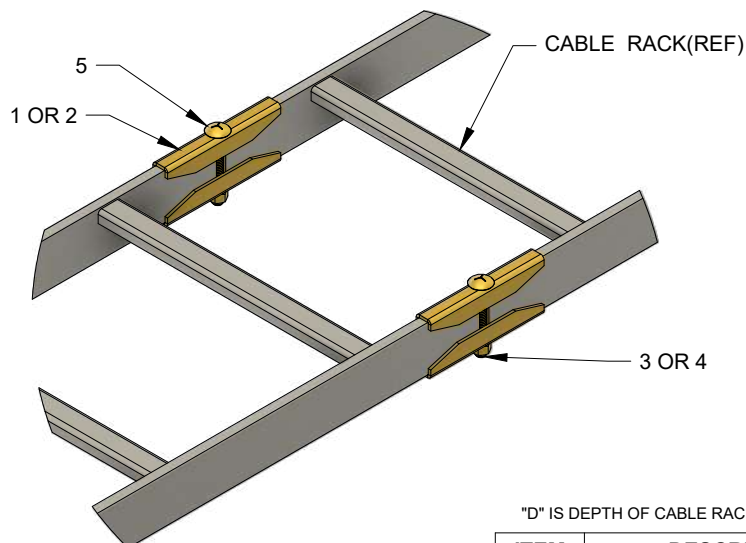
		D	1-1/2"	2"	1-1/2"	2"
		L	3.50"	3.50"	6"	6"
ITEM	DESCRIPTION	CR1-863K2S	CR2-863K2S	CR1-864K2S	CR2-864K2S	
1	3.5" CABLE RACK FEET	2				
2	3.5" CABLE RACK FEET		2			
3	6" CABLE RACK FEET			2		
4	6" CABLE RACK FEET				2	
5	SPLICE KIT(SEE PAGE 2-14)	2		2		
6	SPLICE KIT(SEE PAGE 2-14)		2		2	

(03/30/23)



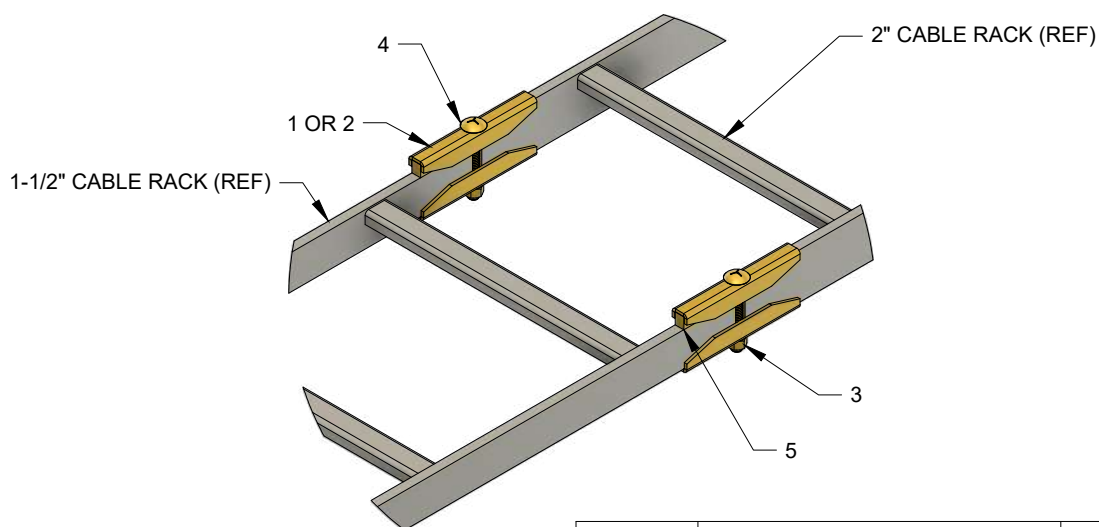
Moreng Telecom Products
 973-237-2001
 www.morengtel.com

CABLE RACK SPLICE KITS (PAIR)



		"D" IS DEPTH OF CABLE RACK SIDE BAR		
		D	1-1/2"	2"
ITEM	DESCRIPTION	CR1-221	CR2-221	
1	SPLICE CLAMP	4	4	
2	SPLICE CLAMP W/ GROUND HOLES			
3	3/8-16 x 2.25" CARRIAGE BOLT, ZY	2		
4	3/8-16 x 2.75" CARRIAGE BOLT, ZY		2	
5	3/8-16 HEX NUT, ZY	2	2	

CABLE RACK SPLICE KITS (PAIR) 1-1/2" TO 2" SIDE BAR



ITEM	DESCRIPTION	CR21-221	CR21-221G
1	SPLICE CLAMP	4	2
2	SPLICE CLAMP W/ GROUND HOLES		2
3	3/8-16 x 2.75" CARRIAGE BOLT, ZY	2	2
4	3/8-16 HEX NUT, ZY	2	2
5	CABLE RACK JUNCTION FILLER	2	1
6	1/4-20 x 1/4" SET SCREW, ZY		4

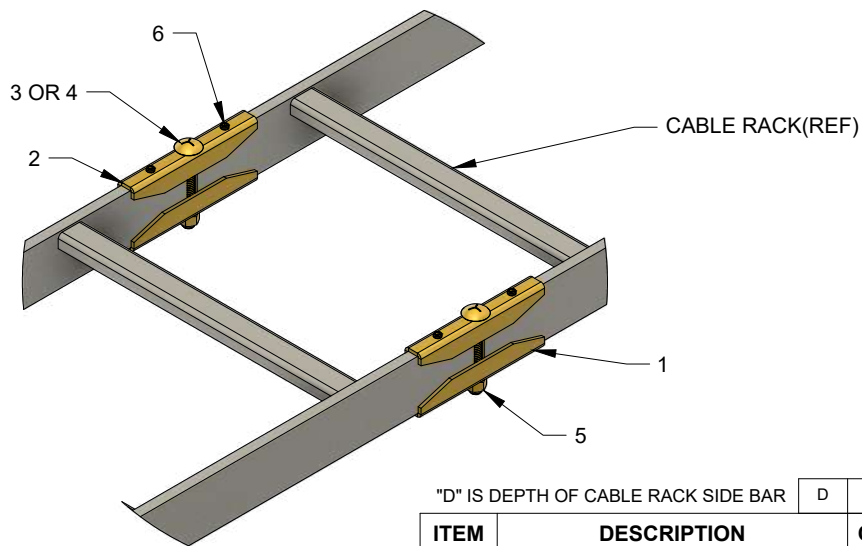
ITEM 6 USED WHEN GROUNDING SCREW IS NEEDED
SEE 2-16

(03/30/23)



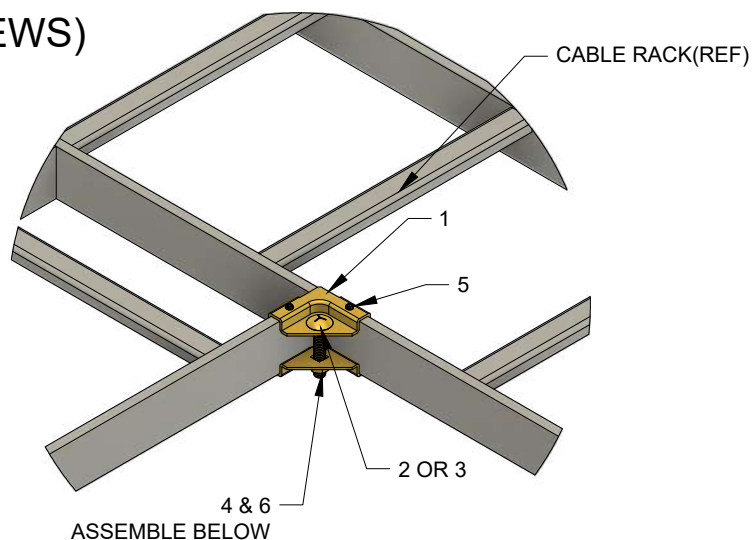
Moreng Telecom Products
973-237-2001
www.morengtel.com

CABLE RACK SPLICE KITS (PAIR) (w/ GROUNDING SCREWS)



"D" IS DEPTH OF CABLE RACK SIDE BAR		D	1-1/2"	2"
ITEM	DESCRIPTION	CR1-221G	CR2-221G	
1	SPLICE CLAMP	2	2	
2	SPLICE CLAMP WITH GROUNDING TAPS	2	2	
3	3/8-16 x 2.25" CARRIAGE BOLT, ZY	2		
4	3/8-16 x 2.75" CARRIAGE BOLT, ZY			2
5	3/8-16 HEX NUT, ZY	2	2	
6	1/4-20 x 1/4" SET SCREW	4	4	

CABLE RACK CORNER KIT (w/ GROUNDING SCREWS)



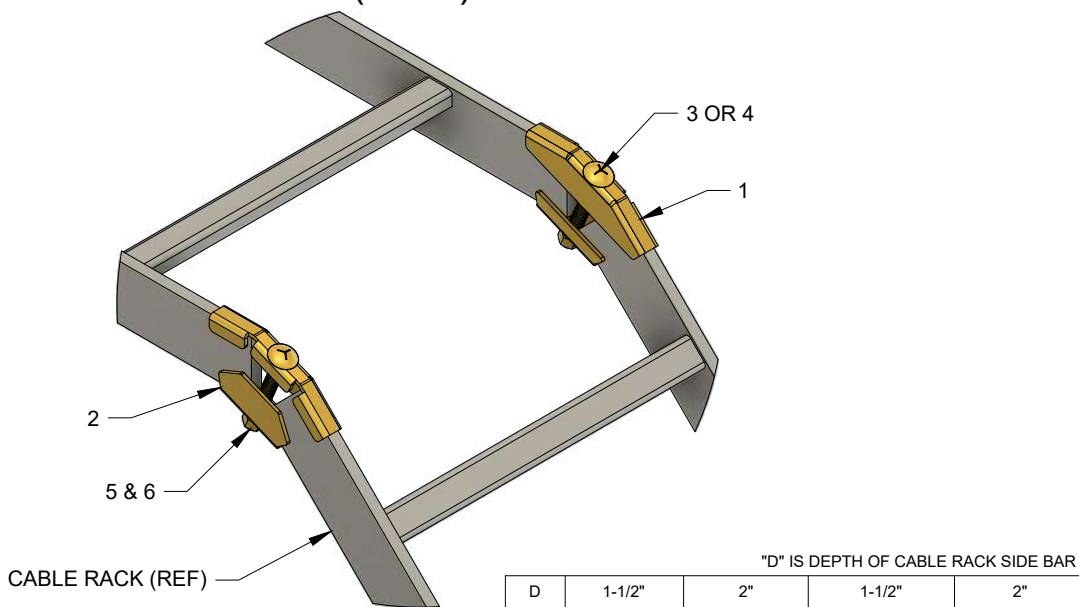
		"D" IS DEPTH OF CABLE RACK SIDE BAR				
		D	1-1/2"	2"	1-1/2"	2"
ITEM	DESCRIPTION	CR1-235K2G	CR2-235K2G	CR1-235K2GE	CR2-235K2GE	
1	CORNER CLAMP WITH GROUNDING TAPS	4	4	4	4	
2	3/8-16 x 1.5" CARRIAGE BOLT, ZY	2		2		
3	3/8-16 x 2" CARRIAGE BOLT, ZY		2			2
4	3/8-16 HEX NUT, ZY	2	2	2	2	
5	1/4-20 x 1/4" SET SCREW, ZY	4	4	4	4	
6	3/8" SPRING LW, ZY			2	2	

(03/30/23)



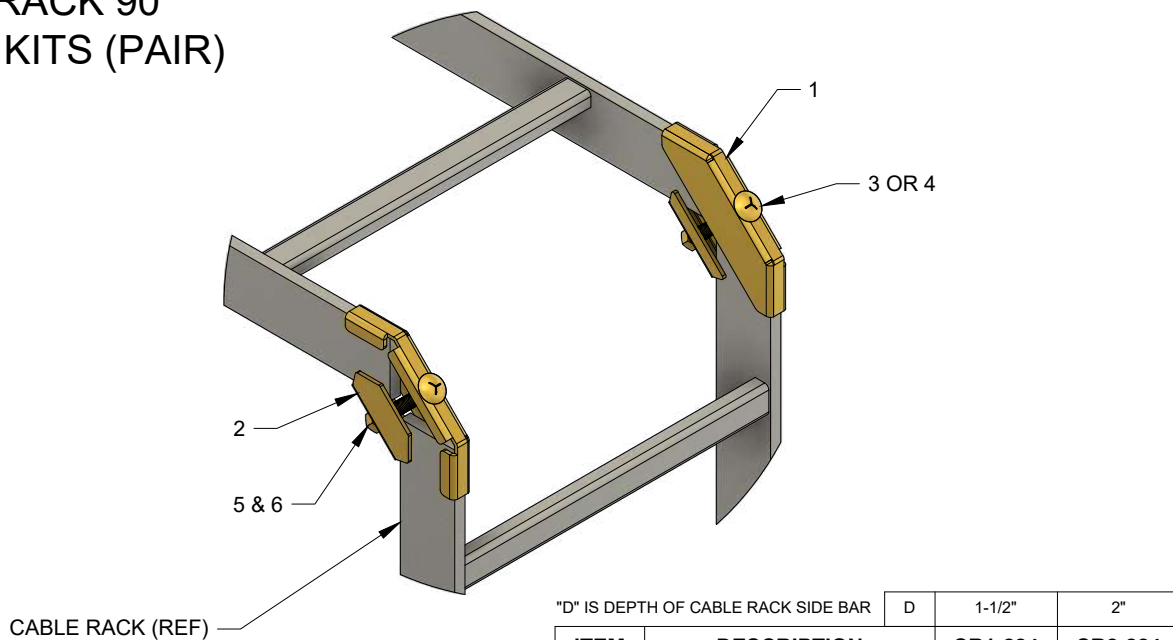
Moreng Telecom Products
973-237-2001
www.morengtel.com

CABLE RACK 45° SPLICE KITS (PAIR)



ITEM	DESCRIPTION	"D" IS DEPTH OF CABLE RACK SIDE BAR				
		D	1-1/2"	2"	1-1/2"	2"
1	45° SPLICE CLAMP - TOP		2	2	4	4
2	45° SPLICE CLAMP - BOTTOM		2	2	4	4
3	3/8-16 x 2.5" CARRIAGE BOLT, ZY		2		4	
4	3/8-16 x 3" CARRIAGE BOLT, ZY			2		4
5	3/8-16 HEX NUT, ZY		2	2	4	4
6	3/8 SPRING LOCK WASHER, ZY		2		4	

CABLE RACK 90° SPLICE KITS (PAIR)



ITEM	DESCRIPTION	"D" IS DEPTH OF CABLE RACK SIDE BAR		
		D	1-1/2"	2"
1	45° SPLICE CLAMP - TOP		2	2
2	45° SPLICE CLAMP - BOTTOM		2	2
3	3/8-16 x 2.5" CARRIAGE BOLT, ZY		2	
4	3/8-16 x 3" CARRIAGE BOLT, ZY			2
5	3/8-16 HEX NUT, ZY		2	2
6	3/8 SPRING LOCK WASHER, ZY		2	

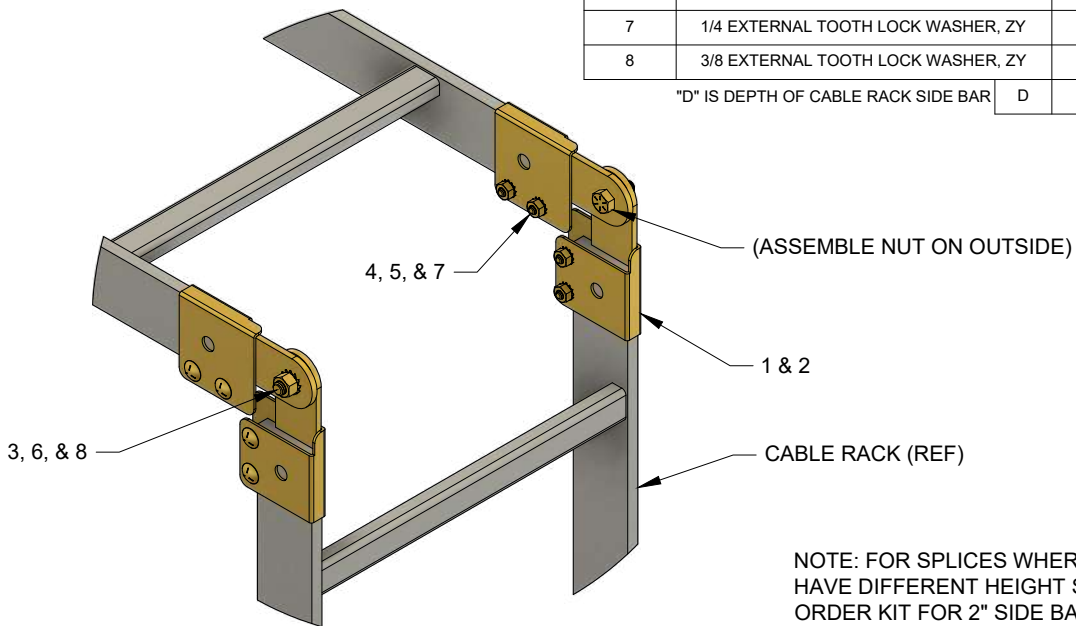
(03/30/23)



Moreng Telecom Products
973-237-2001
www.morengtel.com

ADJUSTABLE CABLE RACK SPLICE KITS

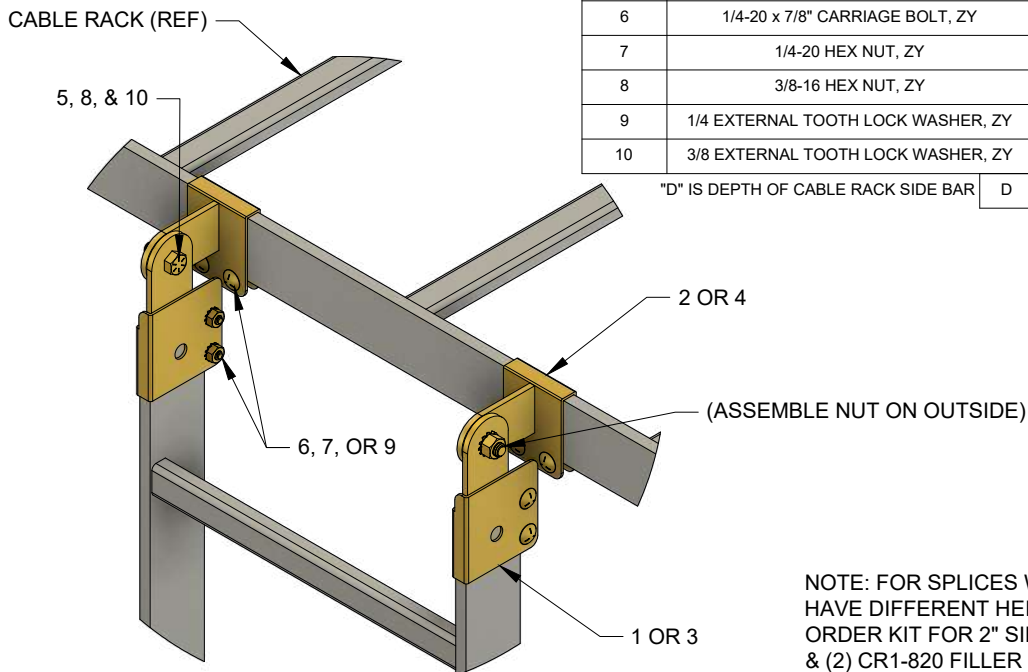
ITEM	DESCRIPTION	CR1-225	CR2-225
1	180° 1.5" ADJUSTABLE SPLICE BRACKET, ZY	4	
2	180° 2" ADJUSTABLE SPLICE BRACKET, ZY		4
3	3/8-16 x 7/8" HEX BOLT, ZY	2	2
4	1/4-20 x 7/8" CARRIAGE BOLT, ZY	8	8
5	1/4-20 HEX NUT, ZY	8	8
6	3/8-16 HEX NUT	2	2
7	1/4 EXTERNAL TOOTH LOCK WASHER, ZY	8	8
8	3/8 EXTERNAL TOOTH LOCK WASHER, ZY	2	2
"D" IS DEPTH OF CABLE RACK SIDE BAR		D	1-1/2" 2"



NOTE: FOR SPLICES WHERE CABLE RACKS HAVE DIFFERENT HEIGHT SIDE BARS: ORDER KIT FOR 2" SIDE BARS & (2) CR1-820 FILLER BARS

ADJUSTABLE CABLE RACK JUNCTION KITS

ITEM	DESCRIPTION	CR1-226	CR2-226
1	180° 1.5" ADJUSTABLE SPLICE BRACKET, ZY	2	
2	90° 1.5" ADJUSTABLE SPLICE BRACKET, ZY	2	
3	180° 2" ADJUSTABLE SPLICE BRACKET, ZY		2
4	90° 2" ADJUSTABLE SPLICE BRACKET, ZY		2
5	3/8-16 x 7/8" HEX BOLT, ZY	2	2
6	1/4-20 x 7/8" CARRIAGE BOLT, ZY	8	8
7	1/4-20 HEX NUT, ZY	8	8
8	3/8-16 HEX NUT, ZY	2	2
9	1/4 EXTERNAL TOOTH LOCK WASHER, ZY	8	8
10	3/8 EXTERNAL TOOTH LOCK WASHER, ZY	2	2
"D" IS DEPTH OF CABLE RACK SIDE BAR		D	1-1/2" 2"



NOTE: FOR SPLICES WHERE CABLE RACKS HAVE DIFFERENT HEIGHT SIDE BARS: ORDER KIT FOR 2" SIDE BARS & (2) CR1-820 FILLER BARS

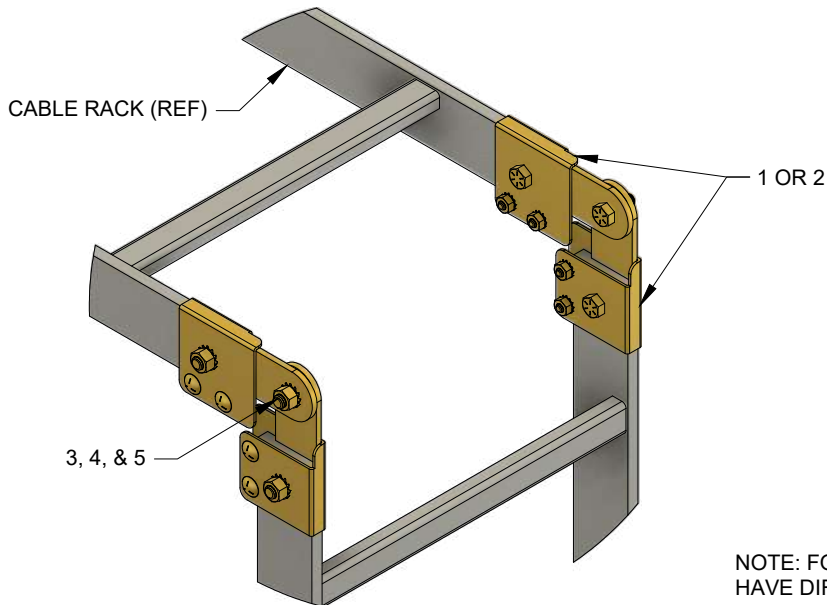
(03/30/23)



Moreng Telecom Products
973-237-2001
www.morengtel.com

ADJUSTABLE CABLE RACK SPLICE KITS(SEISMIC Z3 & 4)

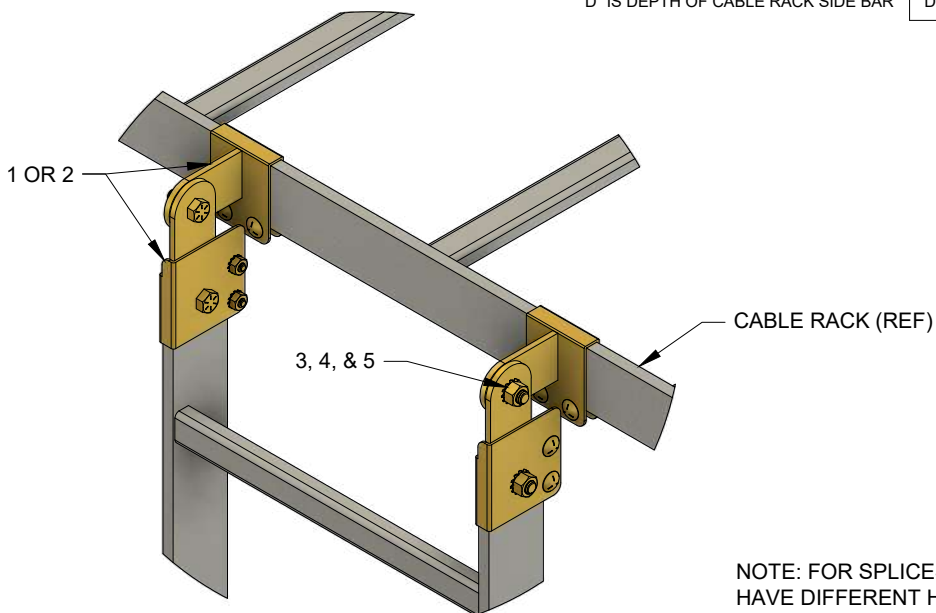
ITEM	DESCRIPTION	CR1-225E	CR2-225E
1	1.5" ADJUSTABLE SPLICE KIT, ZY(SEE 2-17)	1	
2	2" ADJUSTABLE SPLICE KIT, ZY(SEE 2-17)		1
3	3/8-16 x 1" HEX BOLT, ZY	4	4
4	3/8-16 HEX NUT	4	4
5	3/8 EXTERNAL TOOTH LOCK WASHER, ZY	4	4
"D" IS DEPTH OF CABLE RACK SIDE BAR		D	1-1/2" 2"



NOTE: FOR SPLICES WHERE CABLE RACKS HAVE DIFFERENT HEIGHT SIDE BARS:
ORDER KIT FOR 2" SIDE BARS
& (2) CR1-820 FILLER BARS

ADJUSTABLE CABLE RACK JUNCTION KITS (SEISMIC Z3 & 4)

ITEM	DESCRIPTION	CR1-226E	CR2-226E
1	1.5" ADJUSTABLE SPLICE KIT, ZY(SEE 2-17)	1	
2	2" ADJUSTABLE SPLICE KIT, ZY(SEE 2-17)		1
3	3/8-16 x 1" HEX BOLT, ZY	2	2
4	3/8-16 HEX NUT	2	2
5	3/8 EXTERNAL TOOTH LOCK WASHER, ZY	2	2
"D" IS DEPTH OF CABLE RACK SIDE BAR		D	1-1/2" 2"

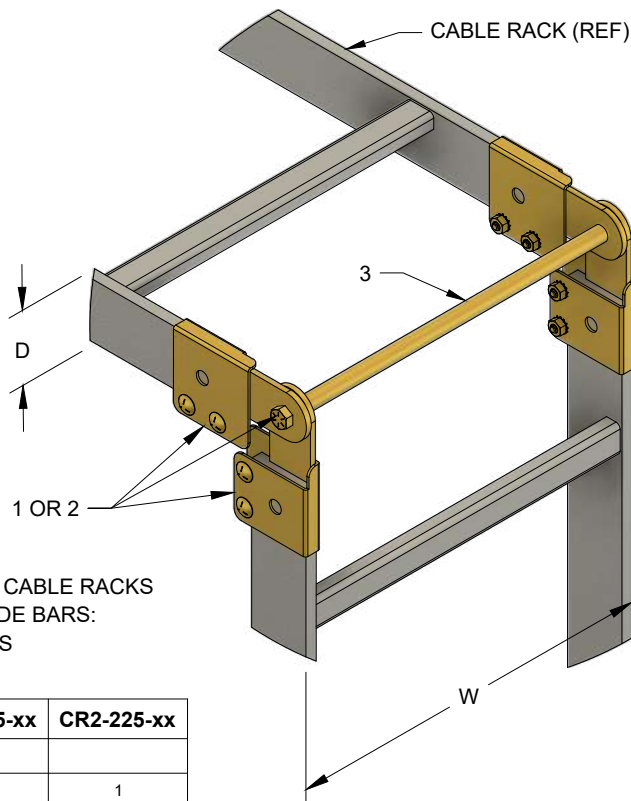


NOTE: FOR SPLICES WHERE CABLE RACKS HAVE DIFFERENT HEIGHT SIDE BARS:
ORDER KIT FOR 2" SIDE BARS
& (2) CR1-820 FILLER BARS



ADJUSTABLE CABLE RACK SPLICE KITS WITH SUPPORT ROD

PART #	D	W
CR1-225-05	1-1/2	5
CR1-225-10	1-1/2	10
CR1-225-12	1-1/2	12
CR1-225-15	1-1/2	15
CR1-225-20	1-1/2	20
CR2-225-05	2	5
CR2-225-10	2	10
CR2-225-12	2	12
CR2-225-15	2	15
CR2-225-18	2	18
CR2-225-20	2	20
CR2-225-24	2	24
CR2-225-25	2	25
CR2-225-30	2	30

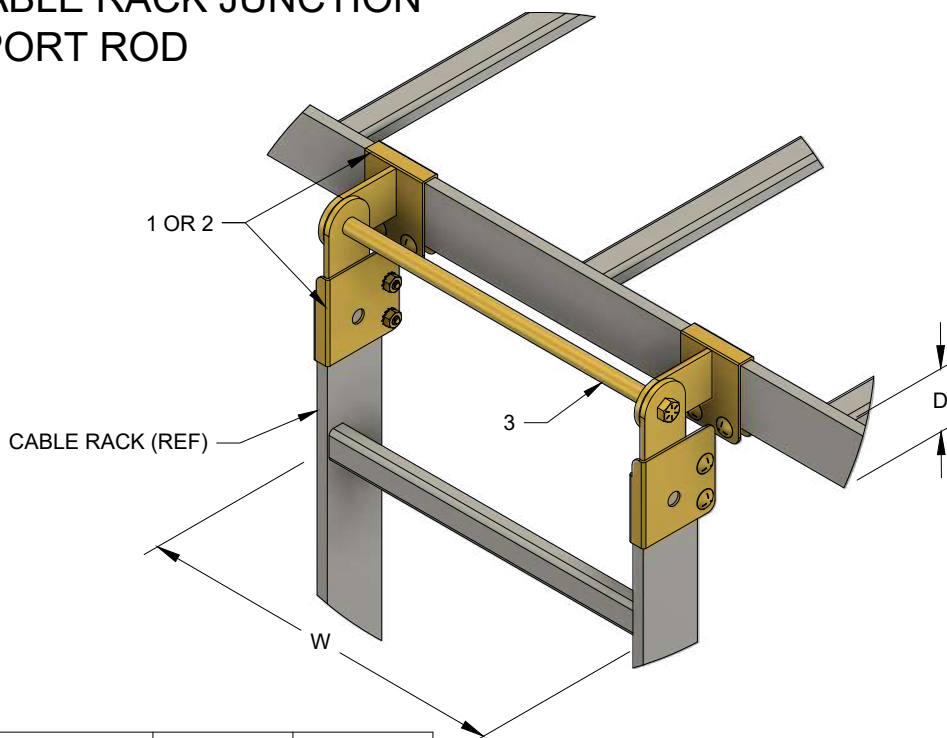


NOTE: FOR SPLICES WHERE CABLE RACKS HAVE DIFFERENT HEIGHT SIDE BARS:
ORDER KIT FOR 2" SIDE BARS
& (2) CR1-820 FILLER BARS

ITEM	DESCRIPTION	CR1-225-xx	CR2-225-xx
1	1.5" ADJUSTABLE SPLICE KIT, ZY(SEE 2-17)	1	
2	2" ADJUSTABLE SPLICE KIT, ZY(SEE 2-17)		1
3	xx" ADJUSTABLE CABLE RACK ROD, ZY	1	1

ADJUSTABLE CABLE RACK JUNCTION KITS WITH SUPPORT ROD

PART #	D	W
CR1-226-05	1-1/2	5
CR1-226-10	1-1/2	10
CR1-226-12	1-1/2	12
CR1-226-15	1-1/2	15
CR1-226-20	1-1/2	20
CR2-226-05	2	5
CR2-226-10	2	10
CR2-226-12	2	12
CR2-226-15	2	15
CR2-226-18	2	18
CR2-226-20	2	20
CR2-226-24	2	24
CR2-226-25	2	25
CR2-226-30	2	30



NOTE: FOR SPLICES WHERE CABLE RACKS HAVE DIFFERENT HEIGHT SIDE BARS:
ORDER KIT FOR 2" SIDE BARS
& (2) CR1-820 FILLER BARS

ITEM	DESCRIPTION	CR1-226-xx	CR2-226-xx
1	1.5" ADJUSTABLE SPLICE KIT, ZY(SEE 2-17)	1	
2	2" ADJUSTABLE SPLICE KIT, ZY(SEE 2-17)		1
3	xx" ADJUSTABLE CABLE RACK ROD, ZY	1	1

(03/30/23)

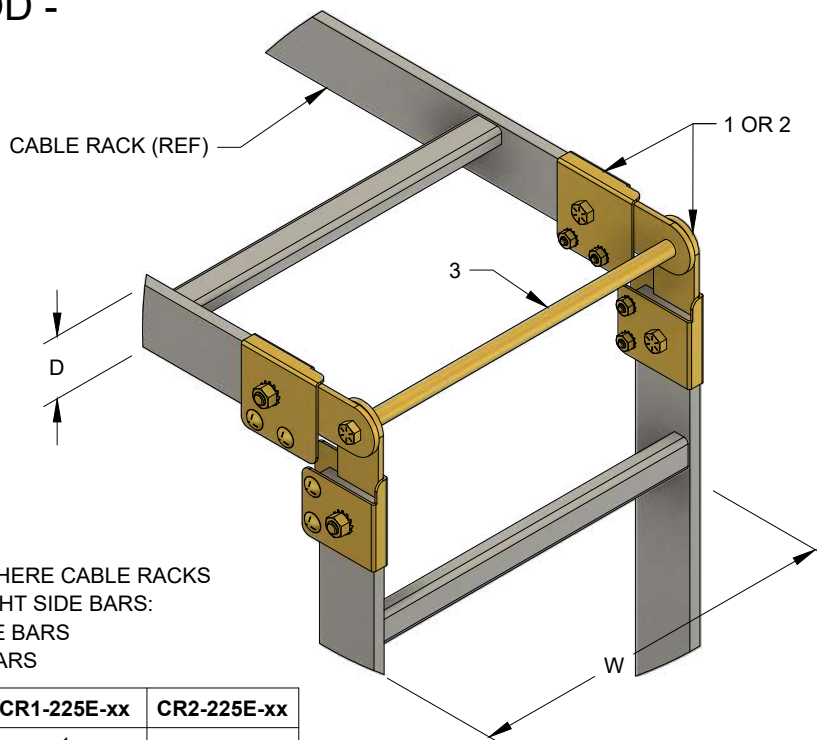


Moreng Telecom Products
973-237-2001
www.morengtel.com

180° ADJUSTABLE CABLE RACK SPLICE KITS WITH SUPPORT ROD - SEISMIC Z3 & 4

PART #	D	W
CR1-225E-05	1-1/2	5
CR1-225E-10	1-1/2	10
CR1-225E-12	1-1/2	12
CR1-225E-15	1-1/2	15
CR1-225E-20	1-1/2	20
CR1-225E-xx	1-1/2	xx
CR2-225E-05	2	5
CR2-225E-10	2	10
CR2-225E-12	2	12
CR2-225E-15	2	15
CR2-225E-20	2	20
CR2-225E-xx	2	xx

NOTE: FOR SPLICES WHERE CABLE RACKS HAVE DIFFERENT HEIGHT SIDE BARS:
ORDER KIT FOR 2" SIDE BARS
& (2) CR1-820 FILLER BARS

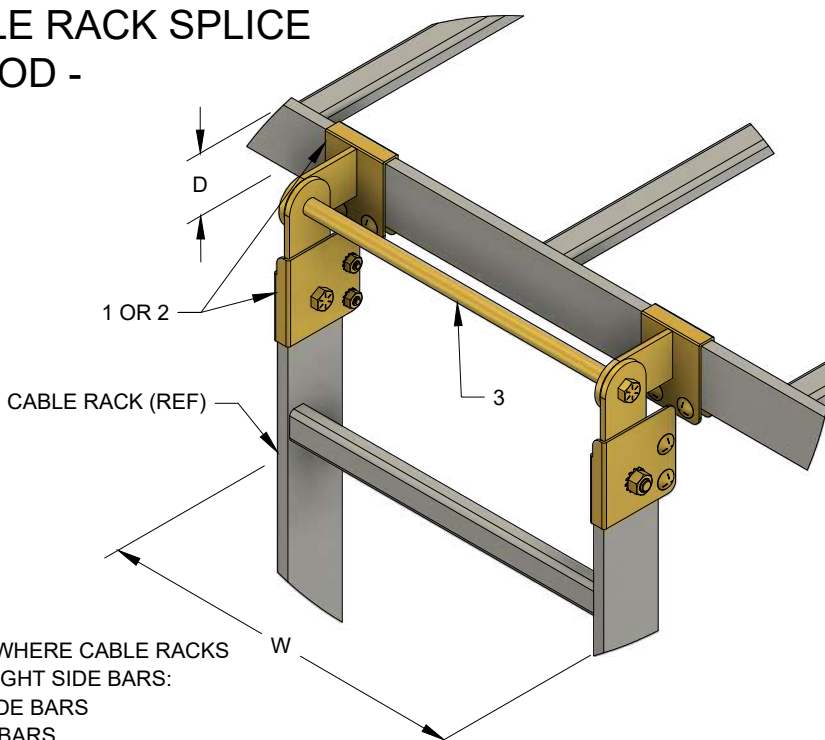


ITEM	DESCRIPTION	CR1-225E-xx	CR2-225E-xx
1	1.5" ADJUSTABLE SPLICE KIT, ZY(SEE 2-18)	1	
2	2" ADJUSTABLE SPLICE KIT, ZY(SEE 2-18)		1
3	10" ADJUSTABLE CABLE RACK ROD, ZY	1	1

90° ADJUSTABLE CABLE RACK SPLICE KITS WITH SUPPORT ROD - SEISMIC Z3 & 4

PART #	D	W
CR1-226E-05	1-1/2	5
CR1-226E-10	1-1/2	10
CR1-226E-12	1-1/2	12
CR1-226E-15	1-1/2	15
CR1-226E-20	1-1/2	20
CR1-226E-xx	1-1/2	xx
CR2-226E-05	2	5
CR2-226E-10	2	10
CR2-226E-12	2	12
CR2-226E-15	2	15
CR2-226E-20	2	20
CR2-226E-xx	2	xx

NOTE: FOR SPLICES WHERE CABLE RACKS HAVE DIFFERENT HEIGHT SIDE BARS:
ORDER KIT FOR 2" SIDE BARS
& (2) CR1-820 FILLER BARS



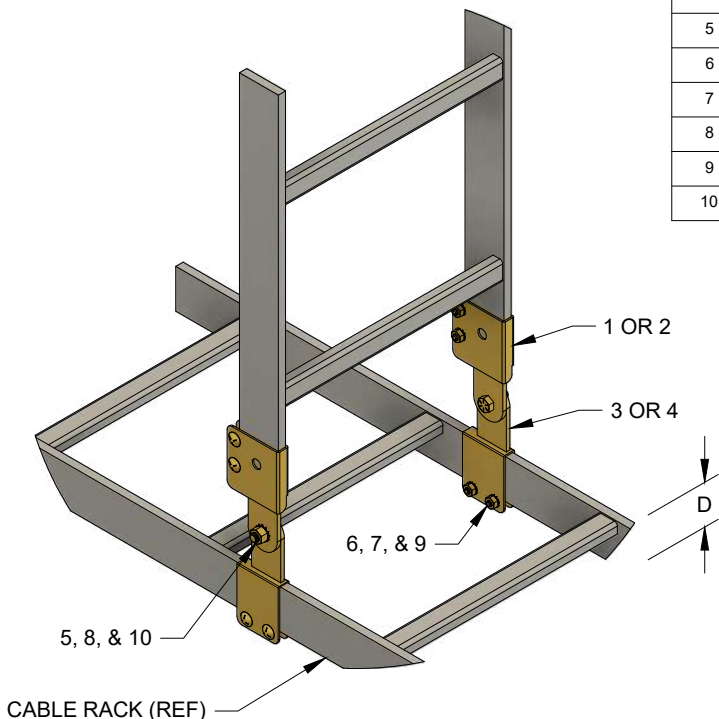
ITEM	DESCRIPTION	CR1-226E-xx	CR2-226E-xx
1	1.5" ADJUSTABLE SPLICE KIT, ZY(SEE 2-18)	1	
2	2" ADJUSTABLE SPLICE KIT, ZY(SEE 2-18)		1
3	xx" ADJUSTABLE CABLE RACK ROD, ZY	1	1

(03/30/23)



ADJUSTABLE CABLE RACK JUNCTION KITS

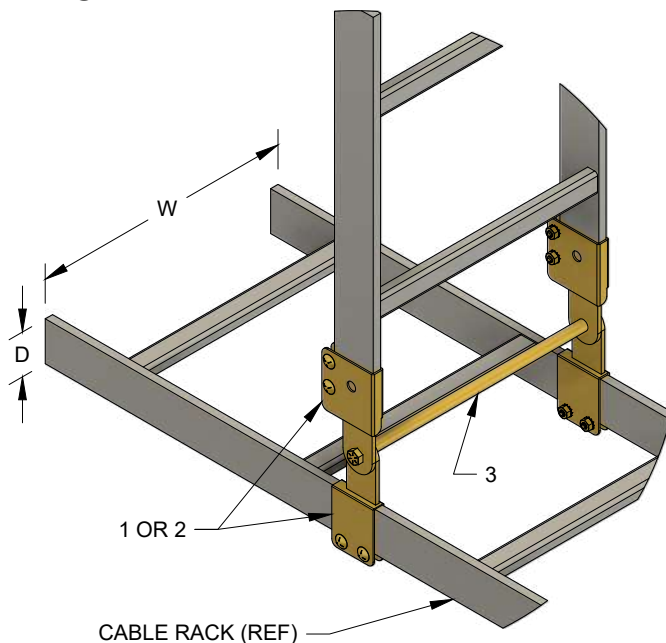
ITEM	DESCRIPTION	CR1-227	CR2-227
1	1.5" ADJUSTABLE SPLICE BRACKET, ZY	2	
2	2" ADJUSTABLE SPLICE BRACKET, ZY		2
3	1.5" PERPENDICULAR SPLICE BRACKET, ZY	2	
4	2" PERPENDICULAR SPLICE BRACKET, ZY		2
5	3/8-16 x 7/8" HEX BOLT, ZY	2	2
6	1/4-20 x 7/8" CARRIAGE BOLT, ZY	8	8
7	1/4-20 HEX NUT, ZY	8	8
8	3/8-16 HEX NUT, ZY	2	2
9	1/4 EXTERNAL TOOTH LOCK WASHER, ZY	8	8
10	3/8 EXTERNAL TOOTH LOCK WASHER, ZY	2	2
	D	1-1/2"	2"



NOTE: FOR SPLICES WHERE CABLE RACKS HAVE DIFFERENT HEIGHT SIDE BARS: ORDER KIT FOR 2" SIDE BARS & (2) CR1-820 FILLER BARS

ADJUSTABLE CABLE RACK JUNCTION KITS WITH SUPPORT ROD

PART #	D	W
CR1-227-05	1-1/2	5
CR1-227-10	1-1/2	10
CR1-227-12	1-1/2	12
CR1-227-15	1-1/2	15
CR1-227-20	1-1/2	20
CR1-227-xx	1-1/2	xx
CR2-227-05	2	5
CR2-227-10	2	10
CR2-227-12	2	12
CR2-227-15	2	15
CR2-227-20	2	20
CR2-227-xx	2	xx



NOTE: FOR SPLICES WHERE CABLE RACKS HAVE DIFFERENT HEIGHT SIDE BARS: ORDER KIT FOR 2" SIDE BARS & (2) CR1-820 FILLER BARS

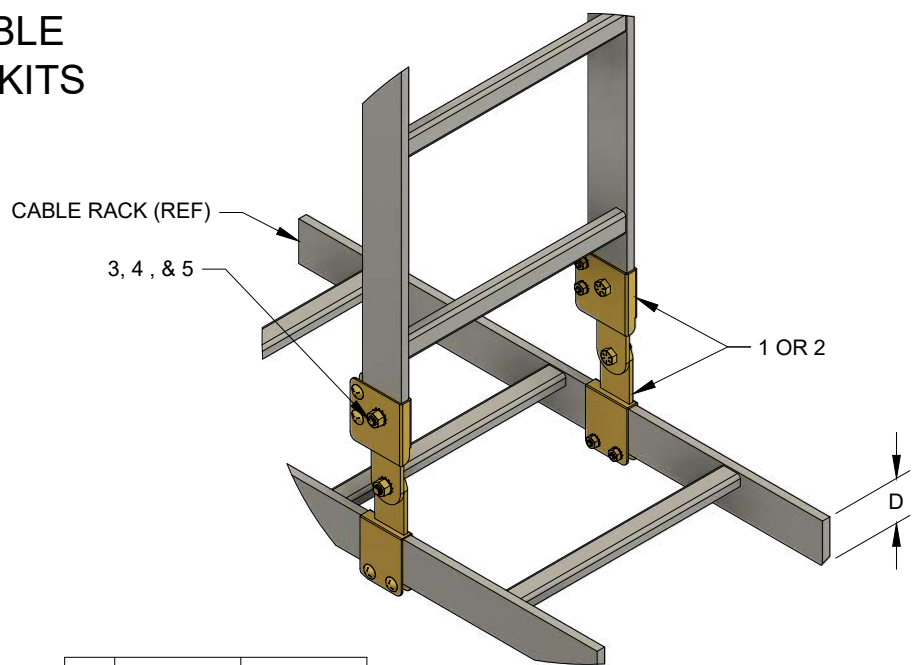
ITEM	DESCRIPTION	CR1-227-xx	CR2-227-xx
1	1.5" ADJUSTABLE SPLICE KIT, ZY(SEE ABOVE)	1	
2	2" ADJUSTABLE SPLICE KIT, ZY(SEE ABOVE)		1
3	xx" SUPPORT ROD, ZY	1	1

(03/30/23)



Moreng Telecom Products
973-237-2001
www.morengtel.com

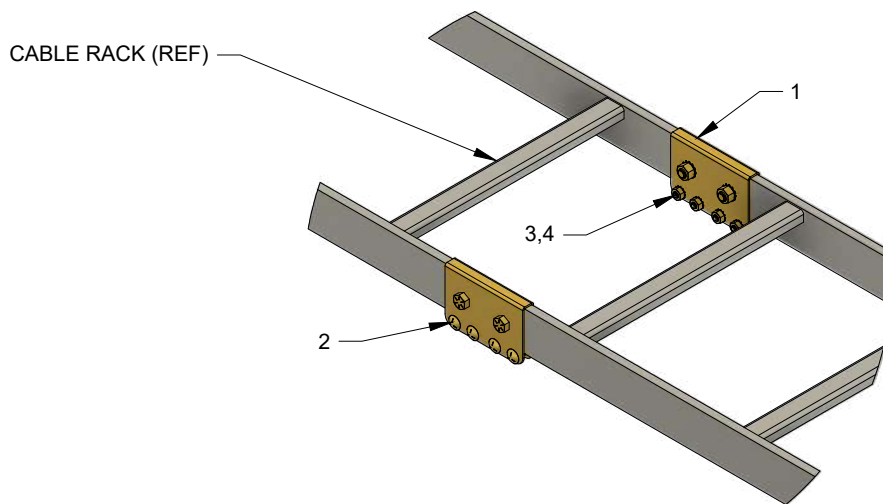
ADJUSTABLE CABLE RACK JUNCTION KITS SEISMIC Z3 & 4



ITEM	DESCRIPTION	D	
		1-1/2"	2"
1	1.5" ADJUSTABLE SPLICE KIT, ZY(SEE 2-21)	1	
2	2" ADJUSTABLE SPLICE KIT, ZY(SEE 2-21)		1
3	3/8-16 x 1" HEX BOLT, ZY	2	2
4	3/8-16 HEX NUT	2	2
5	3/8 SPRING LOCK WASHER, ZY	2	2

NOTE: FOR SPLICES WHERE CABLE RACKS HAVE DIFFERENT HEIGHT SIDE BARS: ORDER KIT FOR 2" SIDE BARS & (2) CR1-820 FILLER BARS

CABLE RACK SPLICE KITS(PR)



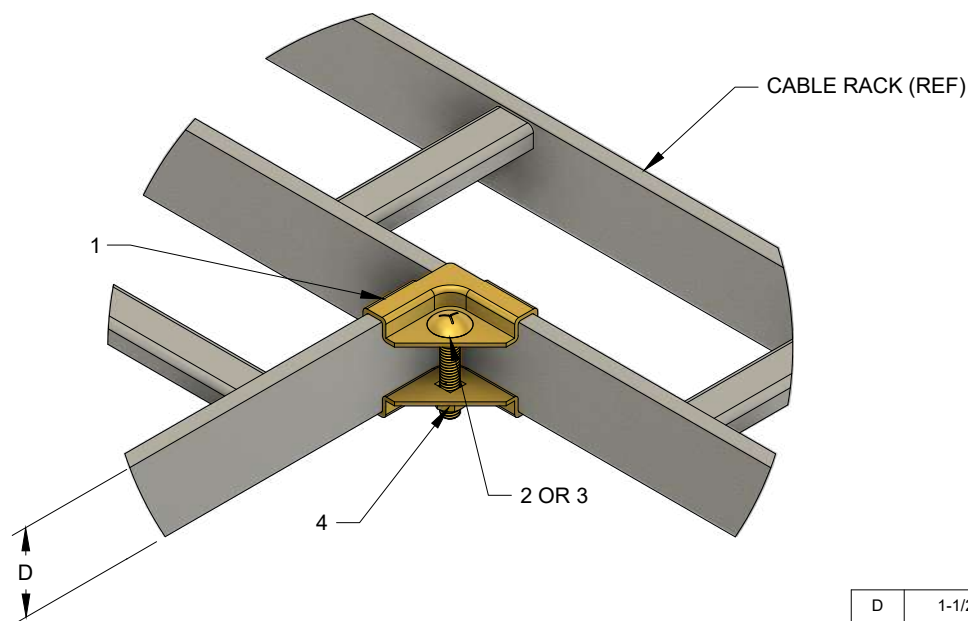
ITEM	DESCRIPTION	CR2-228
1	SPLICE BRACKET, ZY	2
2	1/4-20 x 7/8" CARRIAGE BOLT, ZY	8
3	1/4-20 HEX NUT, ZY	8
4	1/4 SPRING EXTERNAL LOCK WASHER, ZY	8

(03/30/23)



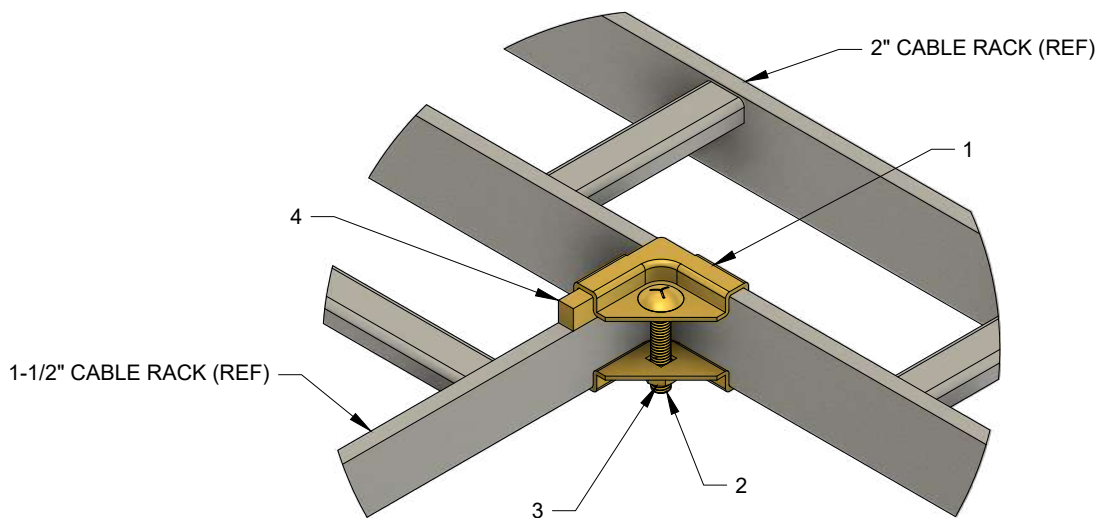
Moreng Telecom Products
973-237-2001
www.morengtel.com

CABLE RACK CORNER KIT



		D	1-1/2"	2"
ITEM	DESCRIPTION	CR1-235	CR2-235	
1	CORNER CLAMP, ZY	2	2	
2	3/8-16 x 1.5" CARRIAGE BOLT, ZY	1		
3	3/8-16 x 2" CARRIAGE BOLT, ZY			1
4	3/8-16 HEX NUT, ZY	1		1

CABLE RACK CORNER KIT 1-1/2" TO 2" SIDE BAR(w/ SPACERS)



ITEM	DESCRIPTION	CR21-235	CR21-235K2
1	CORNER CLAMP, ZY	2	4
2	3/8-16 x 2" CARRIAGE BOLT, ZY	1	2
3	3/8-16 HEX NUT, ZY	1	2
4	SPACER, ZY	1	2

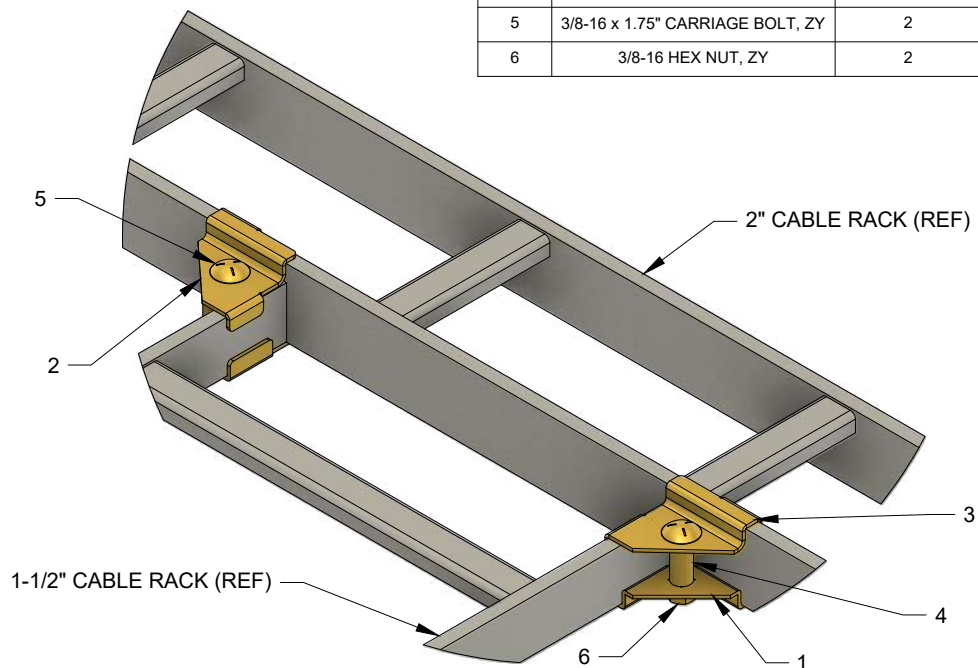
(06/05/24)



Moreng Telecom Products
973-237-2001
www.morengtel.com

CABLE RACK CORNER KIT 1-1/2" TO 2" SIDE BAR

ITEM	DESCRIPTION	CR21-235LR	CR21-235L	CR21-235R
1	CORNER CLAMP, ZY	2	1	1
2	LEFT CORNER CLAMP, ZY	1	1	
3	RIGHT CORNER CLAMP, ZY	1		1
4	SPACER TUBE	2	1	1
5	3/8-16 x 1.75" CARRIAGE BOLT, ZY	2	1	1
6	3/8-16 HEX NUT, ZY	2	1	1



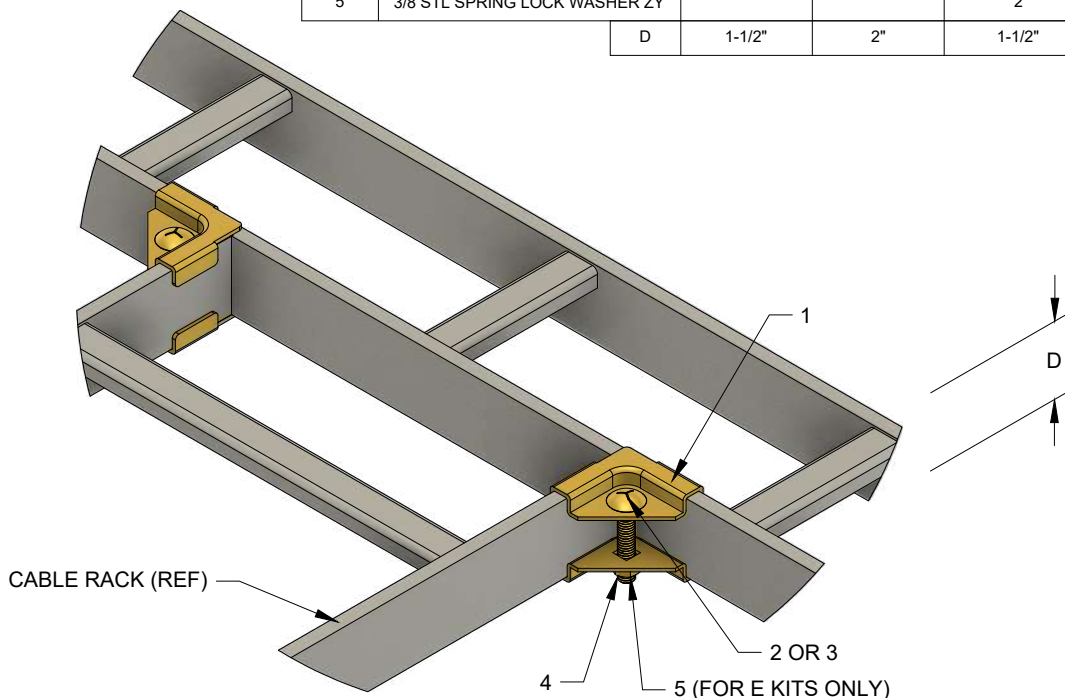
(03/30/23)



Moreng Telecom Products
973-237-2001
www.morengtel.com

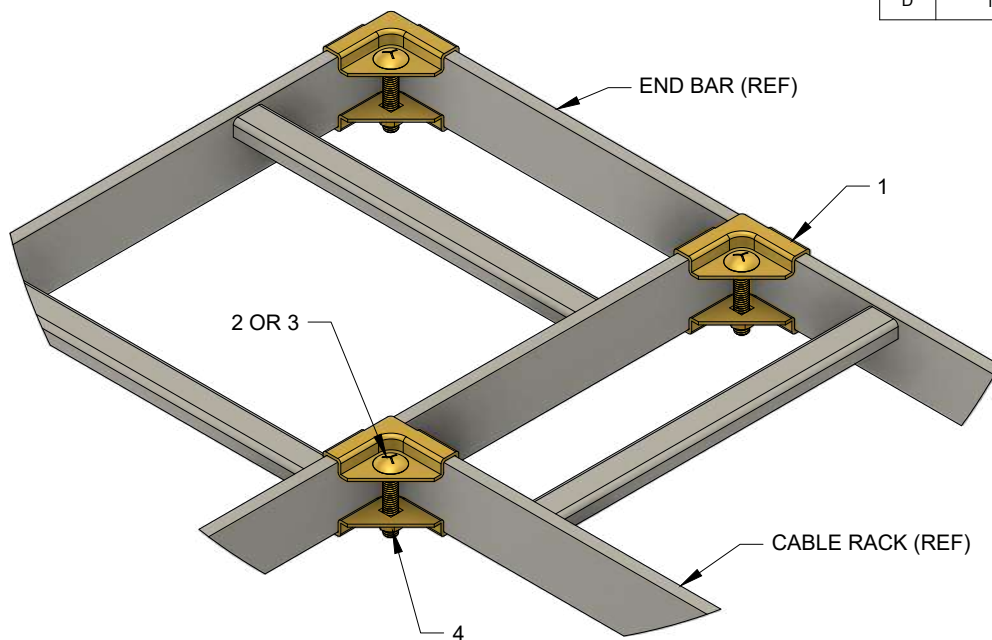
CABLE RACK CORNER KIT (2) PAIRS

ITEM	DESCRIPTION	CR1-235K2	CR2-235K2	CR1-235K2E	CR2-235K2E
1	CORNER CLAMP, ZY	4	4	4	4
2	3/8-16 x 1.5" CARRIAGE BOLT, ZY	2		2	
3	3/8-16 x 2" CARRIAGE BOLT, ZY		2		2
4	3/8-16 HEX NUT, ZY	2	2	2	2
5	3/8 STL SPRING LOCK WASHER ZY			2	2
D		1-1/2"	2"	1-1/2"	2"



CABLE RACK CORNER KIT (3) PAIRS

ITEM	DESCRIPTION	CR1-235K3	CR2-235K3
1	CORNER CLAMP, ZY	6	6
2	3/8-16 x 1.5" CARRIAGE BOLT, ZY	3	
3	3/8-16 x 2" CARRIAGE BOLT, ZY		3
4	3/8-16 HEX NUT, ZY	3	3
D		1-1/2"	2"



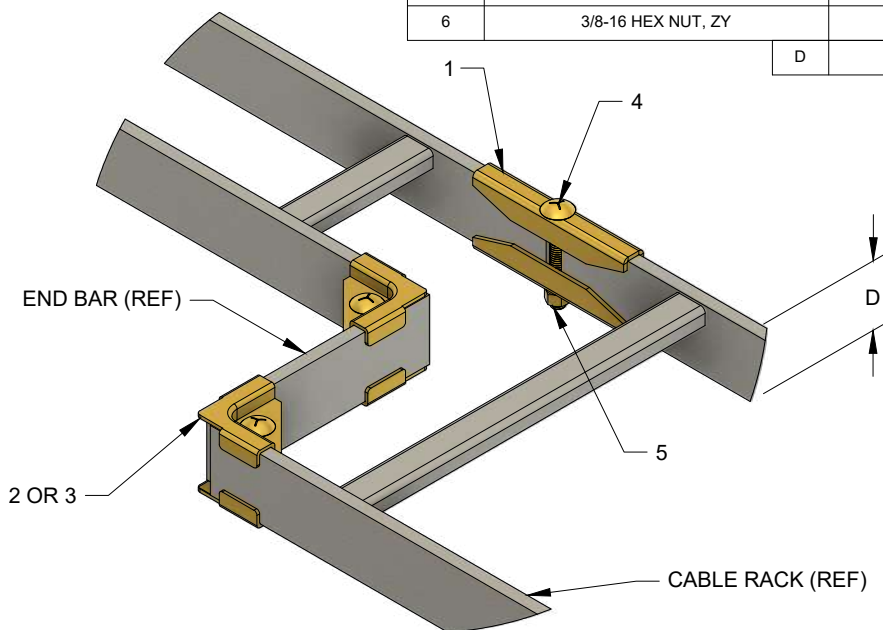
(03/30/23)



Moreng Telecom Products
973-237-2001
www.morengtel.com

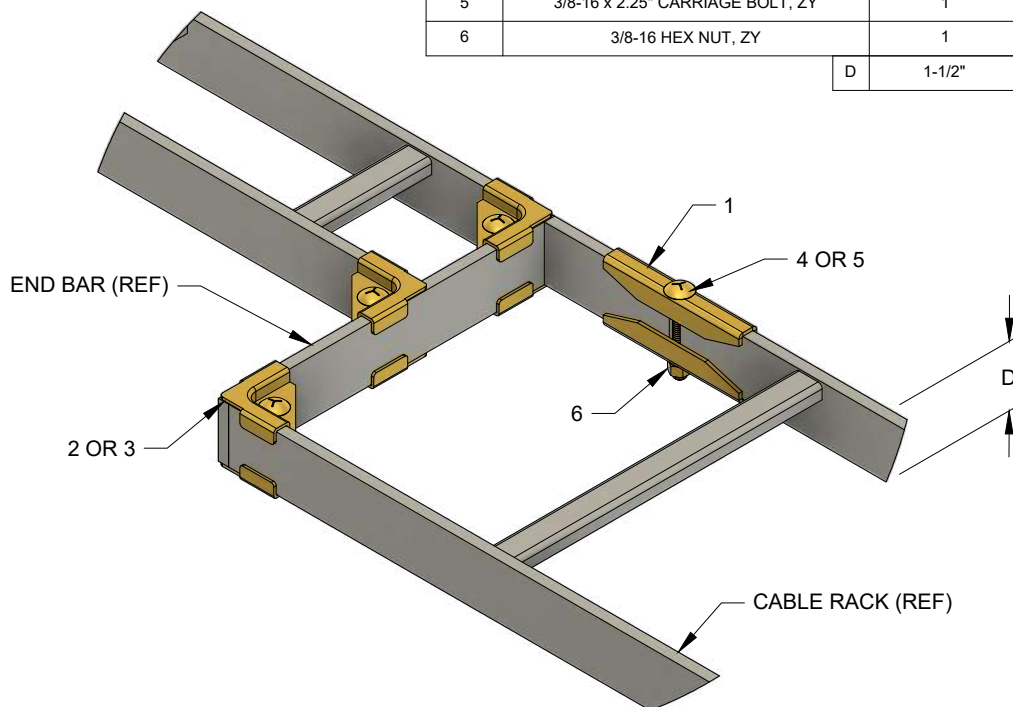
CABLE RACK LINE JUNCTION (CABLE RACK WIDTH NOT EQUAL)

ITEM	DESCRIPTION	CR1-235K2S	CR2-235K2S
1	SPLICE CLAMP, ZY	2	2
2	1.5" CABLE RACK CORNER KIT(SEE 2-25)	1	
3	2" CABLE RACK CORNER KIT(SEE 2-25)		1
4	3/8-16 x 2.75" CARRIAGE BOLT, ZY		1
5	3/8-16 x 2.25" CARRIAGE BOLT, ZY	1	
6	3/8-16 HEX NUT, ZY	1	1
	D	1-1/2"	2"



CABLE RACK LINE JUNCTION (CABLE RACK WIDTH NOT EQUAL)

ITEM	DESCRIPTION	CR1-235K3S	CR2-235K3S
1	SPLICE CLAMP, ZY	2	2
2	1.5" CABLE RACK CORNER KIT(SEE 2-23)	3	
3	2" CABLE RACK CORNER KIT(SEE 2-23)		3
4	3/8-16 x 2.75" CARRIAGE BOLT, ZY		1
5	3/8-16 x 2.25" CARRIAGE BOLT, ZY	1	
6	3/8-16 HEX NUT, ZY	1	1
	D	1-1/2"	2"

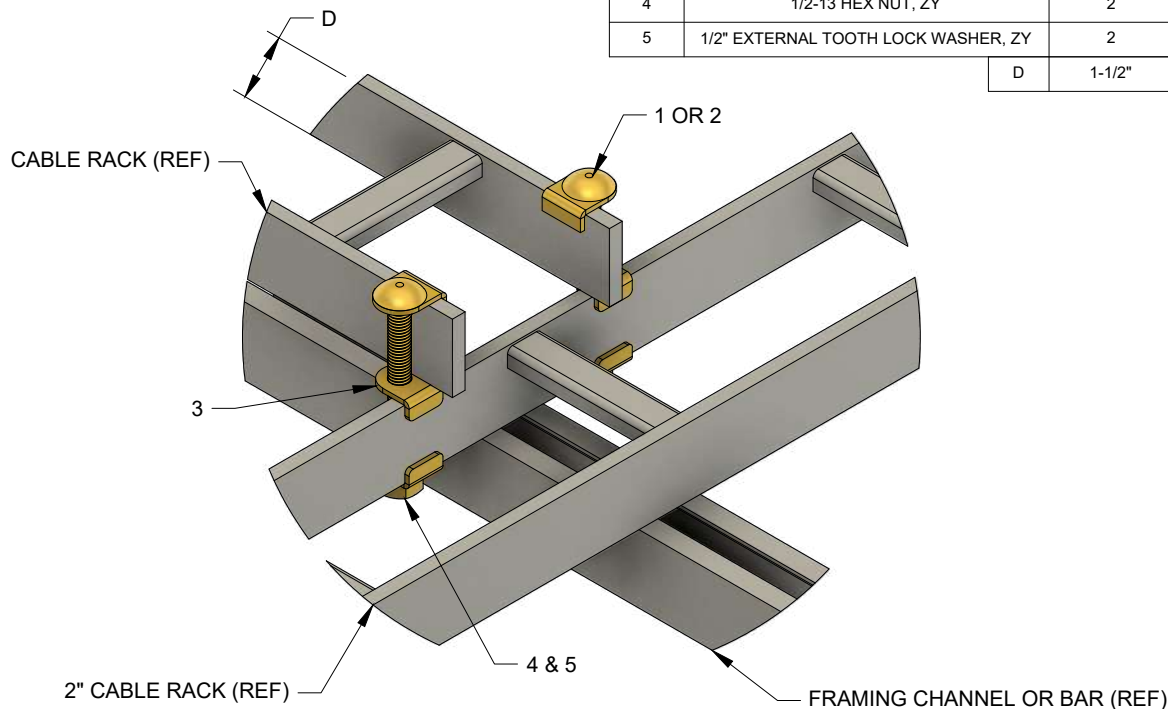


(03/30/23)



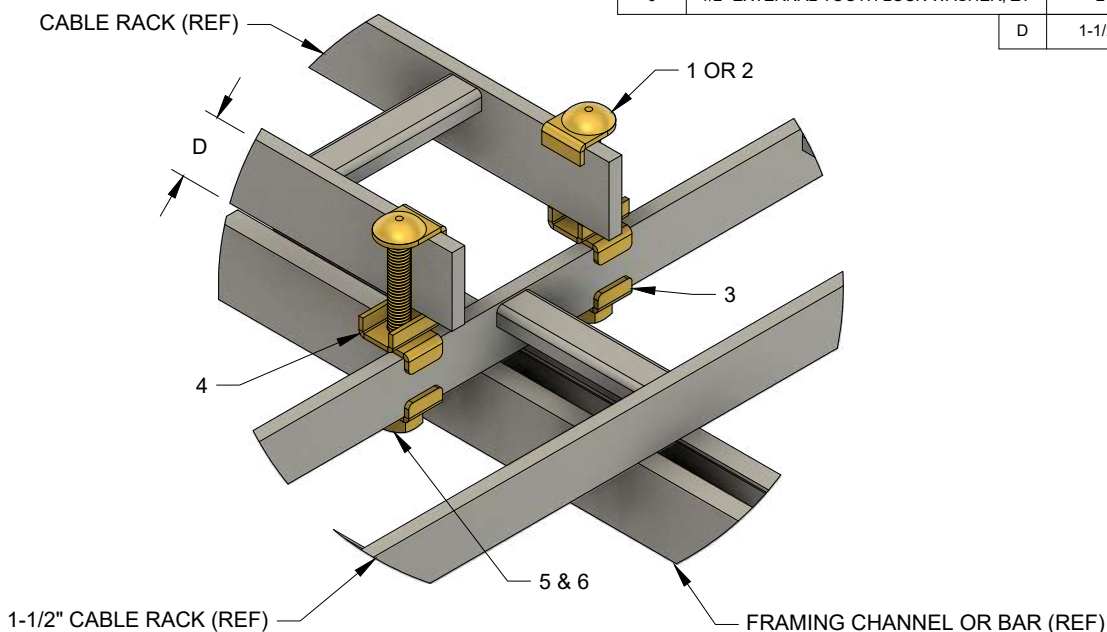
X-AISLE CABLE RACK JUNCTION KITS OVER 2" CABLE RACK & FRAMING

ITEM	DESCRIPTION	CR12-545	CR2-545
1	1/2-13 x 4.5" LOCK BOLT, ZY	2	
2	1/2-13 x 5" LOCK BOLT, ZY		2
3	CLIP, ZY	4	4
4	1/2-13 HEX NUT, ZY	2	2
5	1/2" EXTERNAL TOOTH LOCK WASHER, ZY	2	2
	D	1-1/2"	2"



X-AISLE CABLE RACK JUNCTION KITS OVER 1-1/2" CABLE RACK & FRAMING

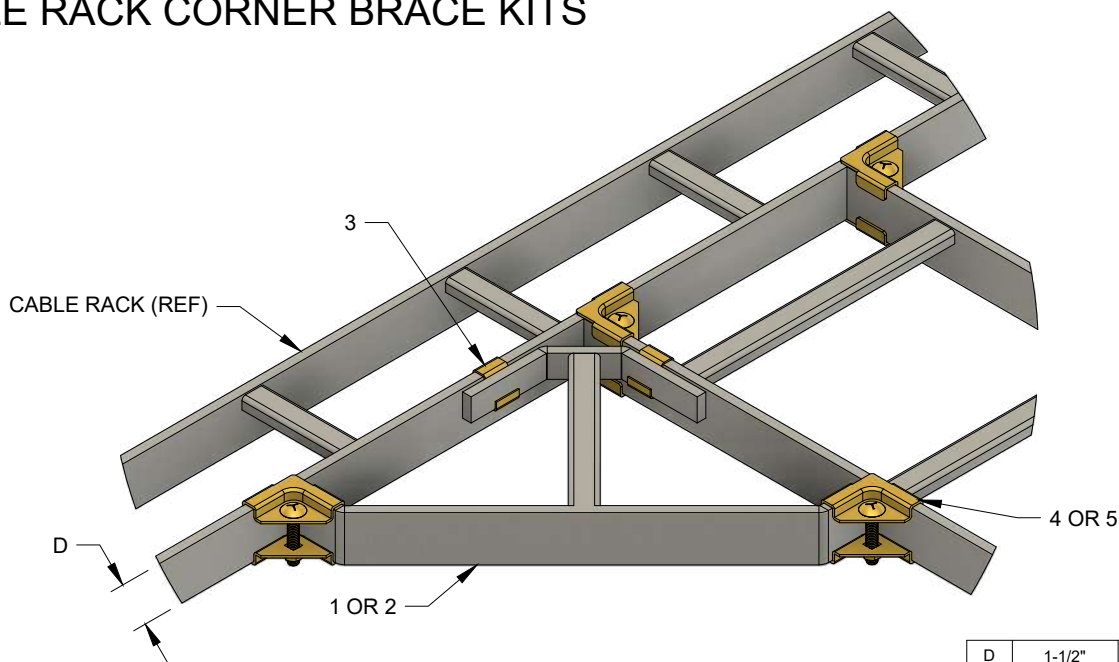
ITEM	DESCRIPTION	CR1-545	CR21-545
1	1/2-13 x 4.5" LOCK BOLT, ZY	2	
2	1/2-13 x 5" LOCK BOLT, ZY		2
3	CLIP, ZY	2	2
4	SPACER ASSEMBLY, ZY	2	2
5	1/2-13 HEX NUT, ZY	2	2
6	1/2" EXTERNAL TOOTH LOCK WASHER, ZY	2	2
	D	1-1/2"	2"



(03/30/23)



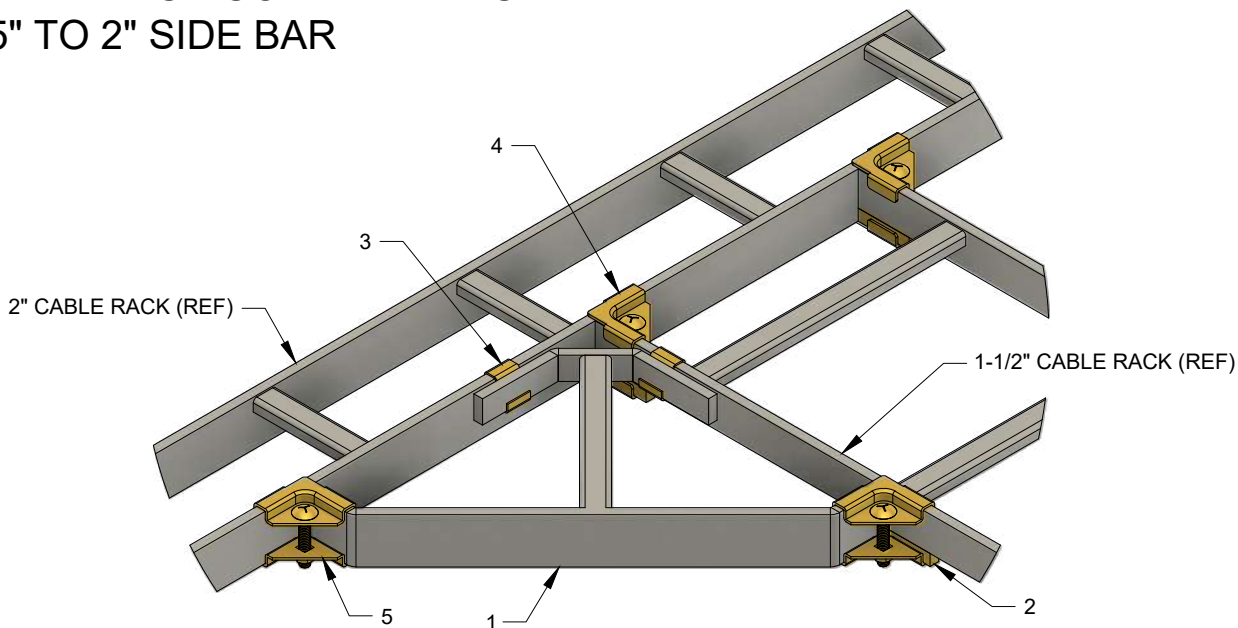
CABLE RACK CORNER BRACE KITS



- STANDARD FINISH TELECOM CRAY
- FOR ORANGE ADD -8 TO PART NUMBER
- FOR ZINC PLATE & YELLOW CHROMATE ADD Y TO PART NUMBER

		D	1-1/2"	2"
ITEM	DESCRIPTION	CR1-268	CR2-268	
1	1.5" CORNER BRACKET	1		
2	2" CORNER BRACKET			1
3	CORNER CLIP, ZY	1	1	
4	1.5" CABLE RACK CORNER KIT(SEE 2-23)	4		
5	2" CABLE RACK CORNER KIT(SEE 2-23)			4

CABLE RACK CORNER BRACE KITS 1.5" TO 2" SIDE BAR



- STANDARD FINISH TELECOM CRAY
- FOR ORANGE ADD -8 TO PART NUMBER
- FOR ZINC PLATE & YELLOW CHROMATE ADD Y TO PART NUMBER

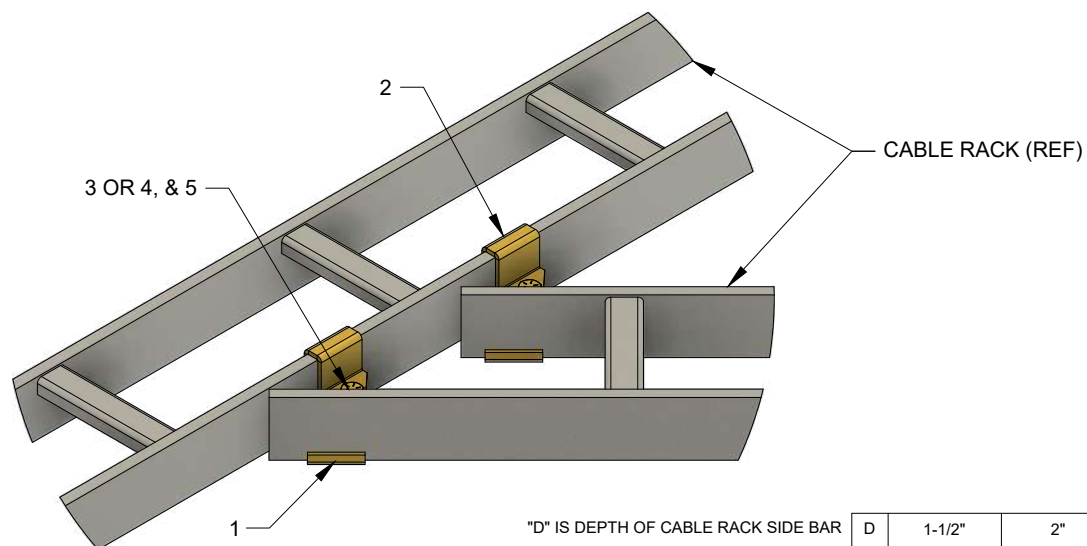
ITEM	DESCRIPTION	CR21-268
1	2" CORNER BRACKET	1
2	CABLE RACK JUCTION FILLER	3
3	CORNER CLIP, ZY	2
4	1.5" CABLE RACK CORNER KIT(SEE 2-23)	3
5	2" TO 1.5" CABLE RACK CORNER KIT(SEE 2-23)	1

(03/30/23)



Moreng Telecom Products
973-237-2001
www.morengtel.com

CABLE RACK CORNER CLAMPS HORIZONTAL - ADJUSTABLE



"D" IS DEPTH OF CABLE RACK SIDE BAR

		D	1-1/2"	2"
ITEM	DESCRIPTION	CR1-233	CR2-233	
1	CABLE RACK CORNER LOWER, ZY	2		2
2	CABLE RACK CORNER UPPER, ZY	2		2
3	3/8-16 x 1" HEX BOLT, ZY	2		2
4	3/8-16 x 2" HEX BOLT, ZY	2		
5	3/8-16 LOCK HEX NUT, ZY	2		2

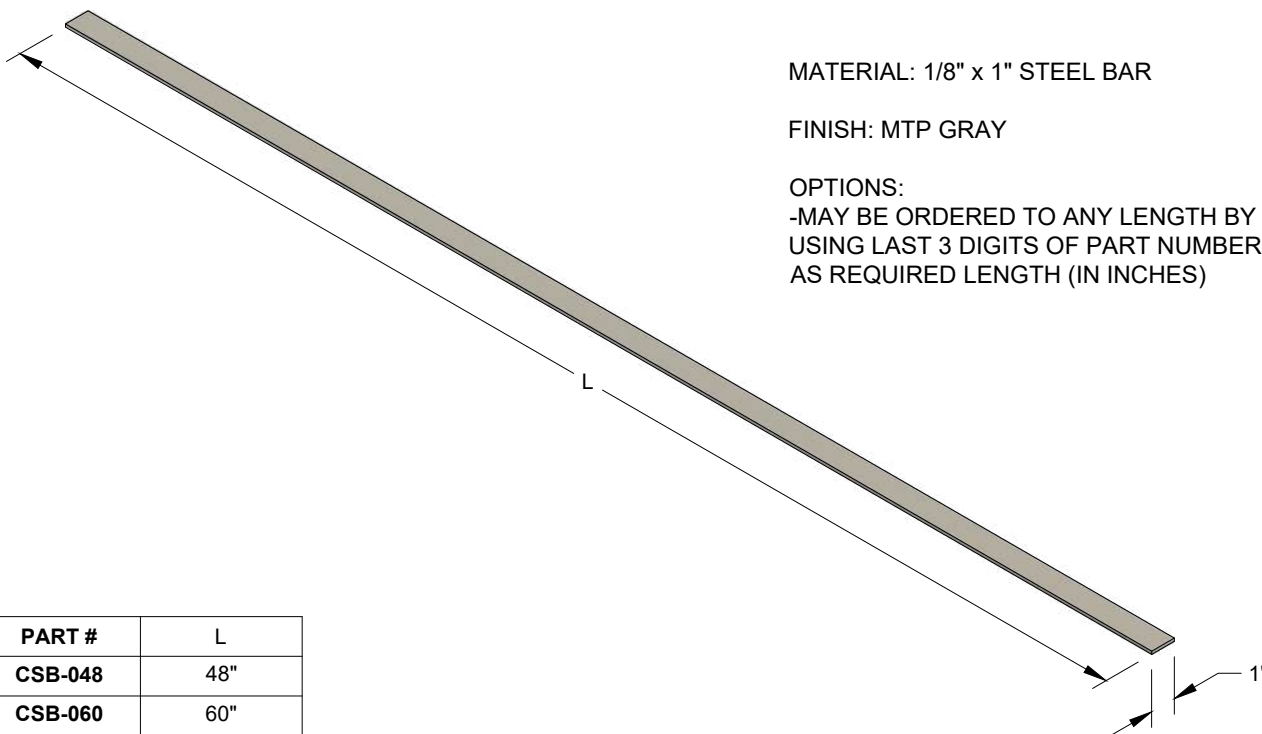
(03/30/23)



Moreng Telecom Products
973-237-2001
www.morengtel.com

CABLE SUPPORT BAR

(CABLE SAG PREVENTION - CR1275 - FIG 10-51)



MATERIAL: 1/8" x 1" STEEL BAR

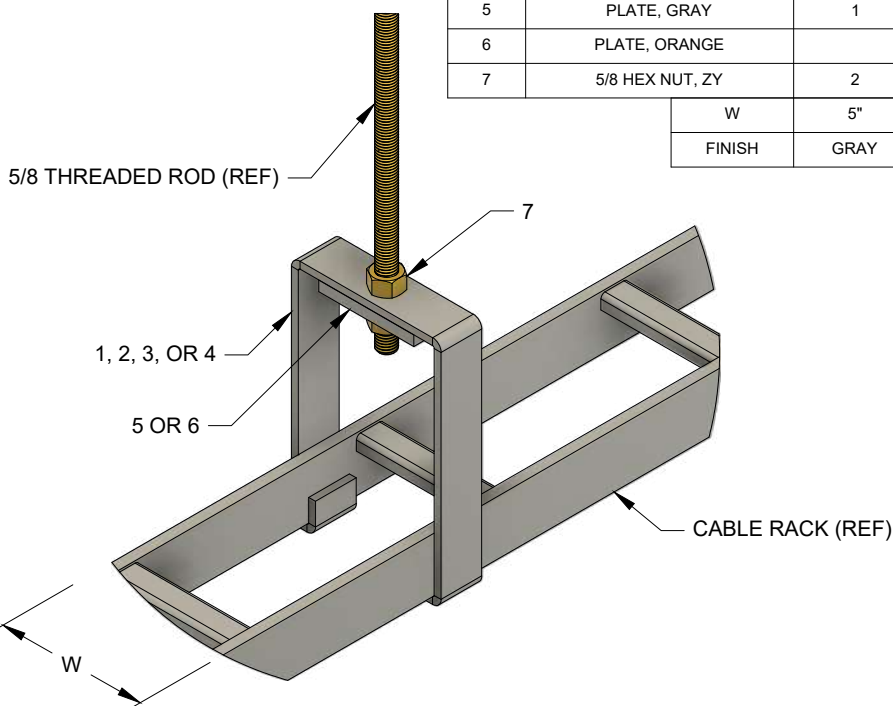
FINISH: MTP GRAY

OPTIONS:
 -MAY BE ORDERED TO ANY LENGTH BY
 USING LAST 3 DIGITS OF PART NUMBER
 AS REQUIRED LENGTH (IN INCHES)

PART #	L
CSB-048	48"
CSB-060	60"
CSB-120	120"

CABLE RACK HANGER BRACKET KITS (5" & 6" ONLY)

ITEM	DESCRIPTION	CR1-500	CR1-600	CR1-500-8	CR1-600-8
1	5" CABLE BRACKET, GRAY	1			
2	6" CABLE BRACKET, GRAY		1		
3	5" CABLE BRACKET, ORANGE			1	
4	6" CABLE BRACKET, ORANGE				1
5	PLATE, GRAY	1	1		
6	PLATE, ORANGE			1	1
7	5/8 HEX NUT, ZY	2	2	2	2
	W	5"	6"	5"	6"
	FINISH	GRAY	GRAY	ORANGE	ORANGE

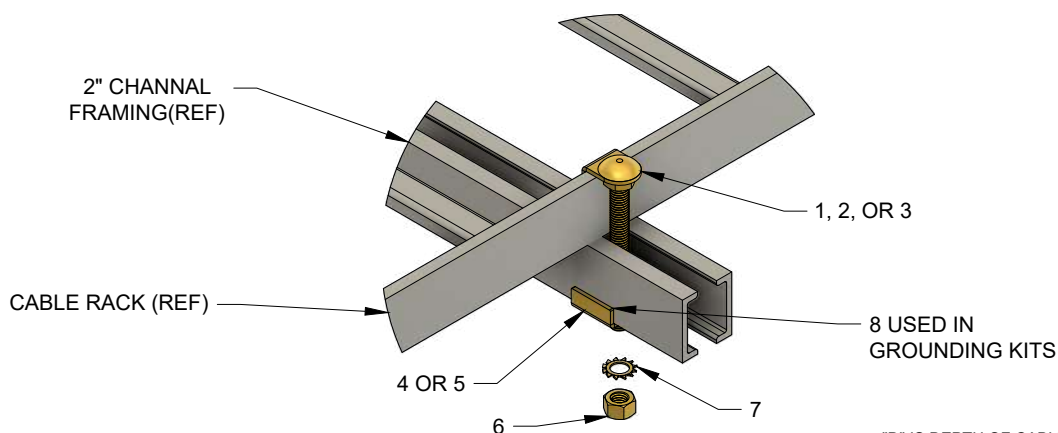


(03/30/23)



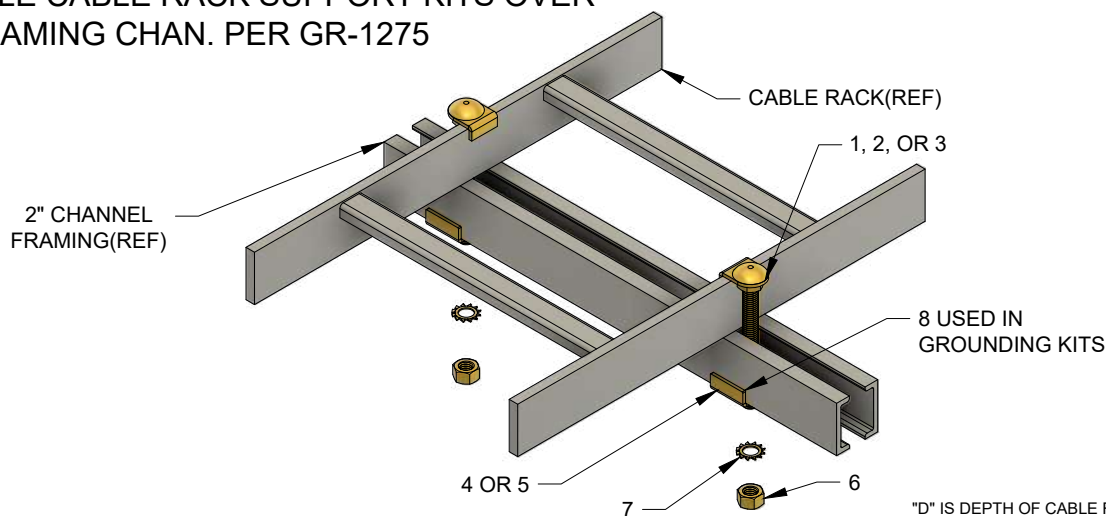
Moreng Telecom Products
 973-237-2001
 www.morengtel.com

SINGLE CABLE RACK SUPPORT KITS OVER 2" FRAMING CHANNEL. PER GR-1275



ITEM	DESCRIPTION	"D" IS DEPTH OF CABLE RACK SIDE BAR			
		D	1-1/2"	2"	2"
1	4.5" LOCK BOLT, ZY, G5		1		
2	5" LOCK BOLT, ZY G5			1	
3	5" LOCK BOLT GROUND, ZY G5				1
4	1/2" CHANNEL CLIP, ZY		1	1	
5	1/2" CHANNEL CLIP W/ GRND HOLES, ZY				1
6	1/2-13 NUT, ZY GR5		1	1	1
7	1/2-13 ET LOCK WASHER, ZY GR5		1	1	1
8	10-32 x 1/4" SET SCREW, ZY				3

SINGLE CABLE RACK SUPPORT KITS OVER 2" FRAMING CHAN. PER GR-1275



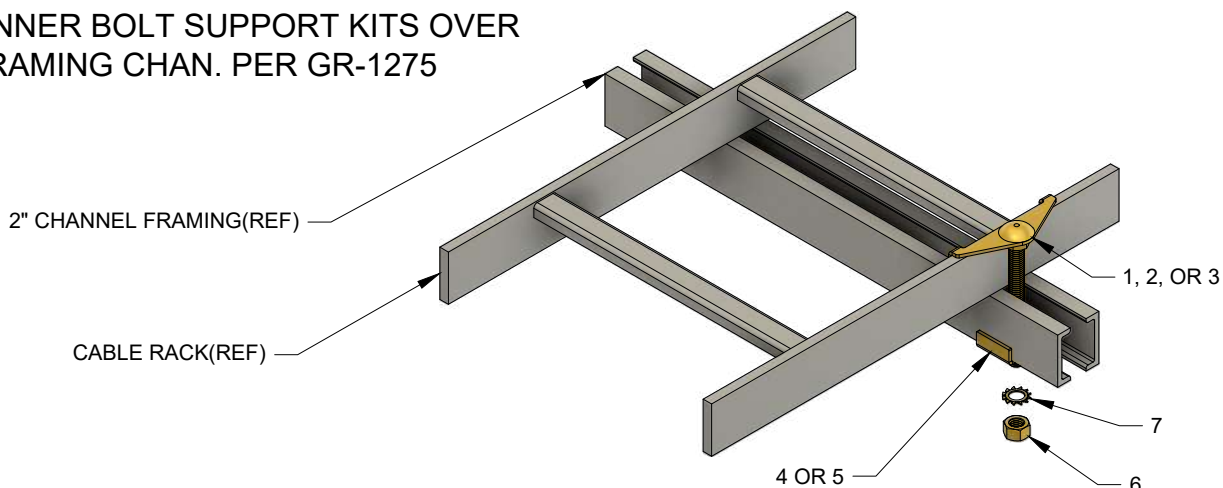
ITEM	DESCRIPTION	"D" IS DEPTH OF CABLE RACK SIDE BAR			
		D	1-1/2"	2"	2"
1	4.5" LOCK BOLT, ZY, G5		2		
2	5" LOCK BOLT, ZY G5			2	
3	5" LOCK BOLT GROUND, ZY G5				2
4	1/2" CHANNEL CLIP, ZY		2	2	
5	1/2" CHANNEL CLIP W/ GRND HOLES, ZY				2
6	1/2-13 NUT, ZY GR5		2	2	2
7	1/2-13 ET LOCK WASHER, ZY GR5		2	2	2
8	10-32 x 1/4" SET SCREW, ZY				6

(03/30/23)



Moreng Telecom Products
973-237-2001
www.morengtel.com

**SINGLE CABLE RACK
SPANNER BOLT SUPPORT KITS OVER
2" FRAMING CHAN. PER GR-1275**

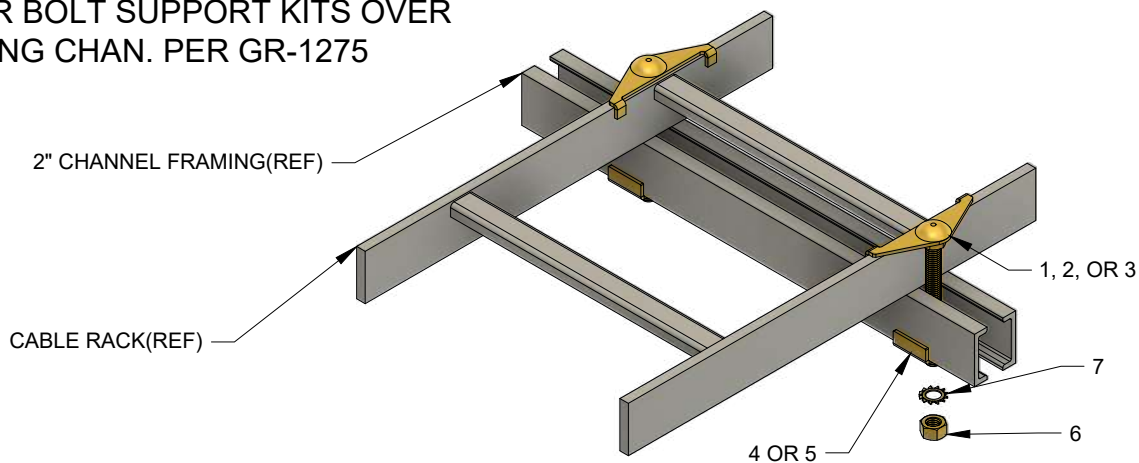


"D" IS DEPTH OF CABLE RACK SIDE BAR

ITEM	DESCRIPTION	D		
		1-1/2"	2"	2"
1	4.5" SPANNER BOLT, ZY G5	1		
2	5" SPANNER BOLT, ZY G5		1	
3	5" SPANNER BOLT W/ FRND HOLES, ZY G5			1
4	1/2" CHANNEL CLIP, ZY	1	1	
5	1/2" CHANNEL CLIP W/ GRND HOLES, ZY			1
6	1/2-13 NUT, ZY GR5	1	1	1
7	1/2-13 ET LOCK WASHER, ZY GR5	1	1	1
8	10-32 x 1/4" SET SCREW, ZY			2

LINE 8 USED FOR GROUNDING

**SINGLE CABLE RACK
SPANNER BOLT SUPPORT KITS OVER
2" FRAMING CHAN. PER GR-1275**



"D" IS DEPTH OF CABLE RACK SIDE BAR

ITEM	DESCRIPTION	D		
		1-1/2"	2"	2"
1	4.5" SPANNER BOLT, ZY G5	2		
2	5" SPANNER BOLT, ZY G5		2	
3	5" SPANNER BOLT W/ GRND HOLES, ZY G5			2
4	1/2" CHANNEL CLIP, ZY	2	2	
5	1/2" CHANNEL CLIP W/ GRND HOLES, ZY			2
6	1/2-13 NUT, ZY GR5	2	2	2
7	1/2-13 ET LOCK WASHER, ZY GR5	2	2	2
8	10-32 x 1/4" SET SCREW, ZY			4

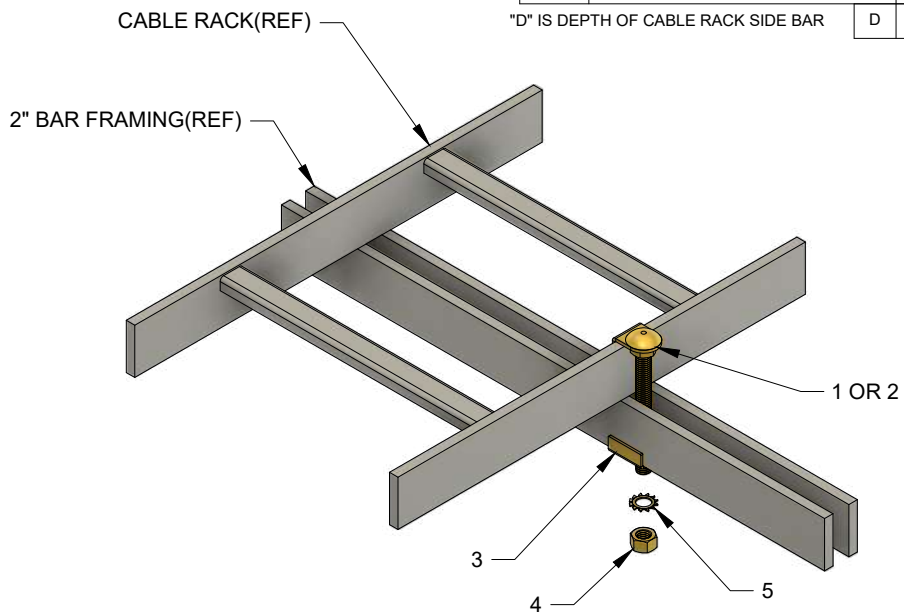
LINE 8 USED FOR GROUNDING

(03/30/23)



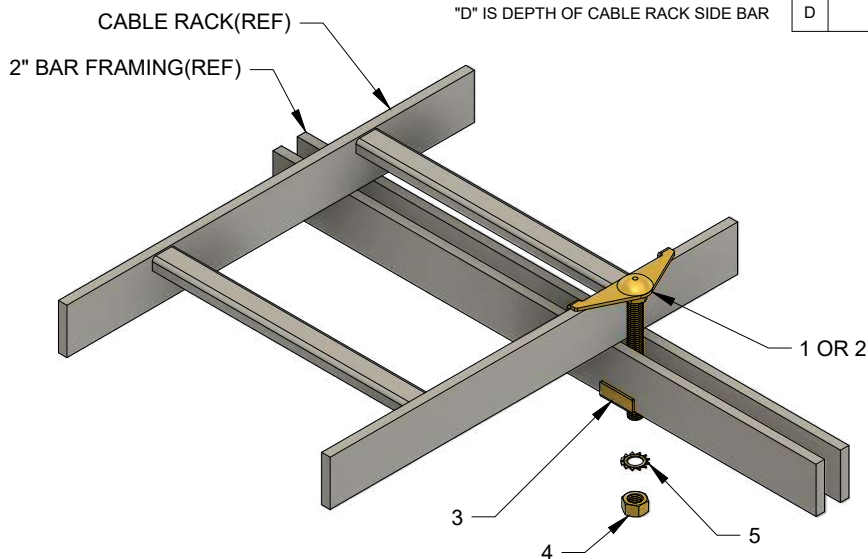
**SINGLE CABLE RACK SUPPORT
KITS OVER 2" FRAMING BARS**

ITEM	DESCRIPTION	SFH-545KB	SFH-550KB
1	4.5" LOCK BOLT, ZY GR5	1	
2	5" LOCK BOLT, ZY GR5		1
3	1/2" BAR CLIP, ZY	1	1
4	1/2" HEX NUT, ZY GR5	1	1
5	1/2" EXTERNAL LOCK WASHER, ZY	1	1
"D" IS DEPTH OF CABLE RACK SIDE BAR		D	1-1/2" 2"



**SINGLE CABLE RACK SPANNER BOLT
SUPPORT KITS OVER 2" FRAMING BARS**

ITEM	DESCRIPTION	SFH-546KB	SFH-551KB
1	4.5" SPANNER BOLT, ZY G5	1	
2	5" SPANNER BOLT, ZY G5		1
3	1/2" BAR CLIP, ZY	1	1
4	1/2" HEX NUT, ZY GR5	1	1
5	1/2" EXTERNAL LOCK WASHER, ZY	1	1
"D" IS DEPTH OF CABLE RACK SIDE BAR		D	1-1/2" 2"



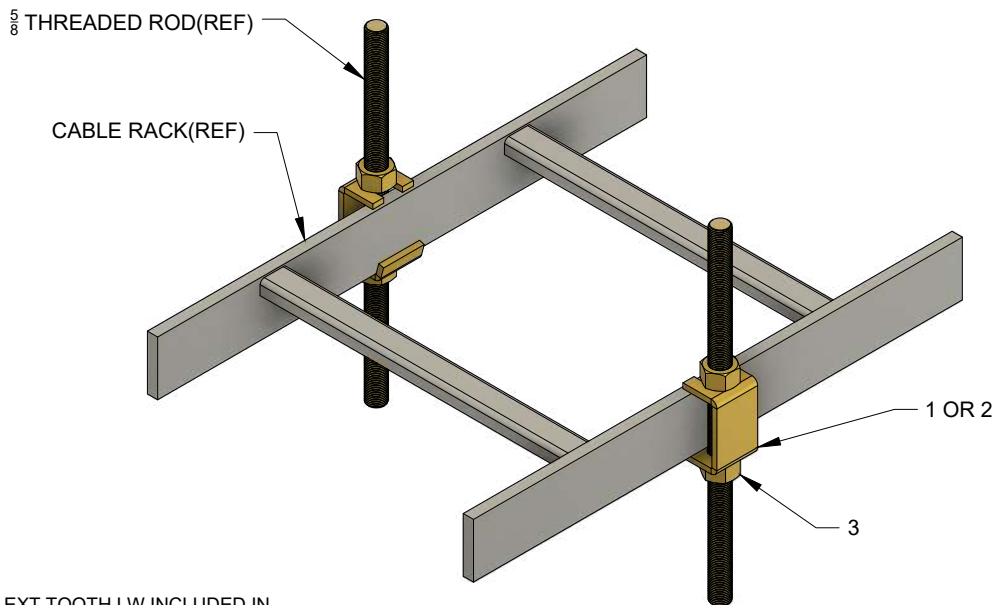
(03/30/23)



Moreng Telecom Products
973-237-2001
www.morengtel.com

SINGLE CABLE RACK HANGER SUPPORT KITS

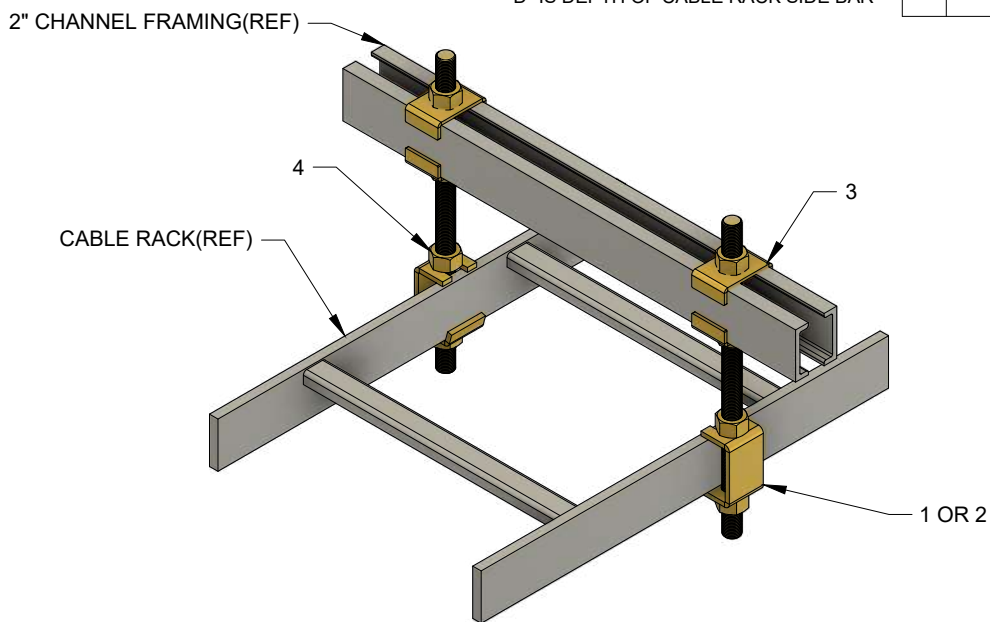
ITEM	DESCRIPTION	CR1-115K2	CR2-115K2
1	1.5" CABLE RACK HANGER BRACKET, 5/8, ZY	2	
2	2" CABLE RACK HANGER BRACKET, 5/8, ZY		2
3	5/8" HEX NUT, ZY GR5	4	4
"D" IS DEPTH OF CABLE RACK SIDE BAR		D	1-1/2"
			2"



* (4) 5/8 EXT TOOTH LW INCLUDED IN 'E' KITS: CR1-115K2E, CR2-115K2E

SINGLE CABLE RACK SUPPORT KITS UNDER 2" FRAMING CHANNEL

ITEM	DESCRIPTION	CR1-115K2C	CR2-115K2C
1	1.5" CABLE RACK HANGER BRACKET, 5/8, ZY	2	
2	2" CABLE RACK HANGER BRACKET, 5/8, ZY		2
3	5/8" CHANNEL CLIP, ZY	4	4
4	5/8" HEX NUT, ZY GR5	8	8
"D" IS DEPTH OF CABLE RACK SIDE BAR		D	1-1/2"
			2"



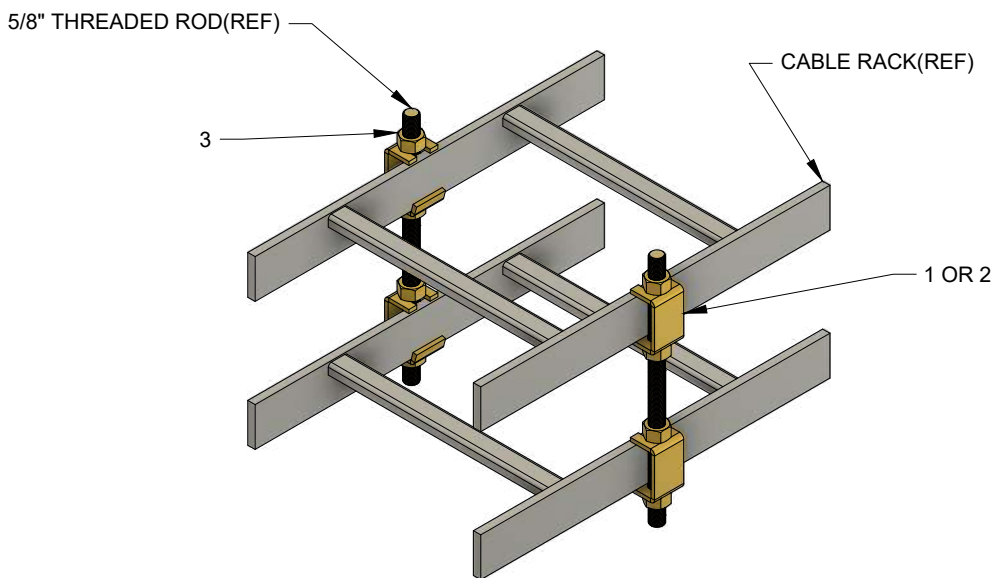
* (8) 5/8 EXT TOOTH LW INCLUDED IN 'E' KITS: CR1-115K2CE, CR2-115K2CE

(03/30/23)



DOUBLE CABLE RACK HANGER SUPPORT KITS

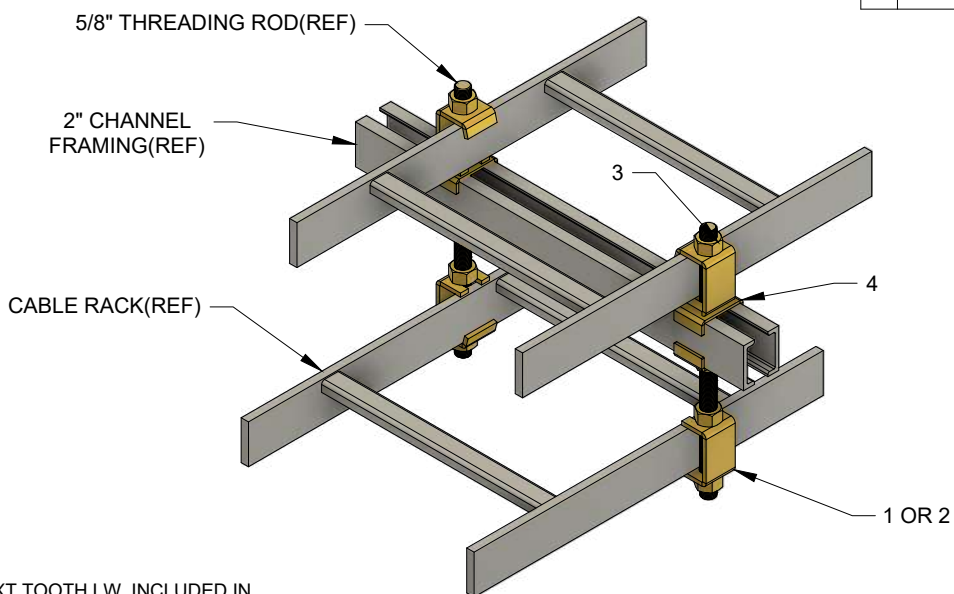
ITEM	DESCRIPTION	CR1-115K4	CR2-115K4
1	1.5" CABLE RACK HANGER BRACKET, 5/8, ZY	4	
2	2" CABLE RACK HANGER BRACKET, 5/8, ZY		4
3	5/8" HEX NUT, ZY GR5	8	8
"D" IS DEPTH OF CABLE RACK SIDE BAR		D	1.5"
			2"



* (8) 5/8 EXT TOOTH LW INCLUDED IN 'E' KITS: CR1-115K4E, CR2-115K4E

DOUBLE CABLE RACK SUPPORT KITS OVER & UNDER 2" FRAMING CHANNEL

ITEM	DESCRIPTION	CR1-115K4C	CR2-115K4C
1	1.5" CABLE RACK HANGER BRACKET, 5/8, ZY	4	
2	2" CABLE RACK HANGER BRACKET, 5/8, ZY		4
3	5/8" HEX NUT, ZY GR5	8	8
4	5/8" CHANNEL CLIP, ZY	4	4
"D" IS DEPTH OF CABLE RACK SIDE BAR		D	1.5"
			2"



* (8) 5/8 EXT TOOTH LW INCLUDED IN 'E' KITS: CR1-115K4CE, CR2-115K4CE

(03/30/23)

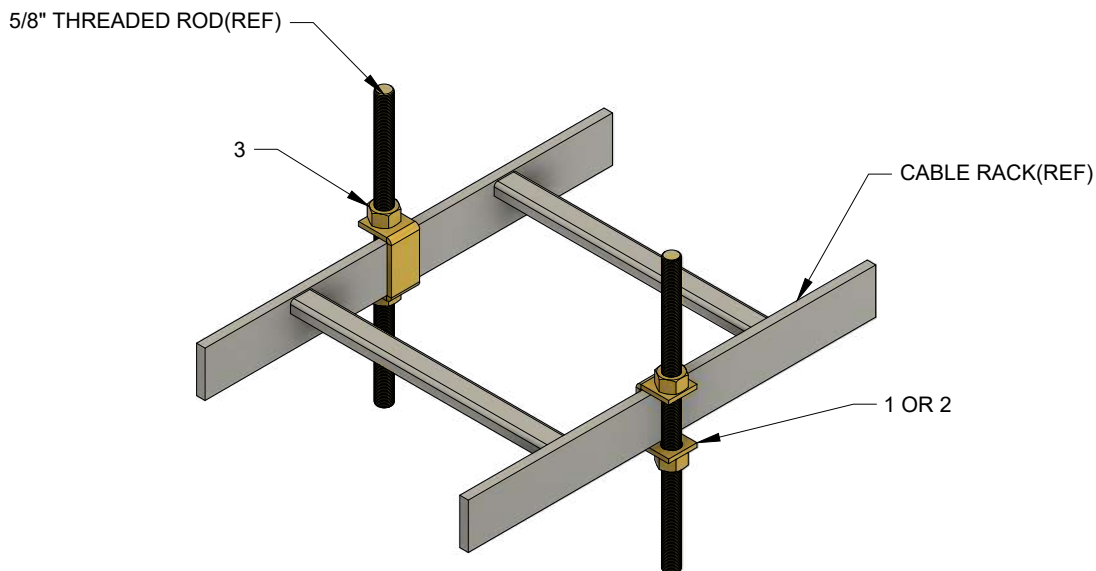


Moreng Telecom Products
973-237-2001
www.morengtel.com

**SINGLE CABLE RACK
C-CLIP SUPPORT KITS**

ITEM	DESCRIPTION	CR1-116K2	CR2-116K2
1	1.5" CABLE RACK HANGER BRACKET, 5/8, ZY	2	
2	2" CABLE RACK HANGER BRACKET, 5/8, ZY		2
3	5/8" HEX NUT, ZY GR5	4	4
	D	1-1/2"	2"

"D" IS DEPTH OF CABLE RACK SIDE BAR

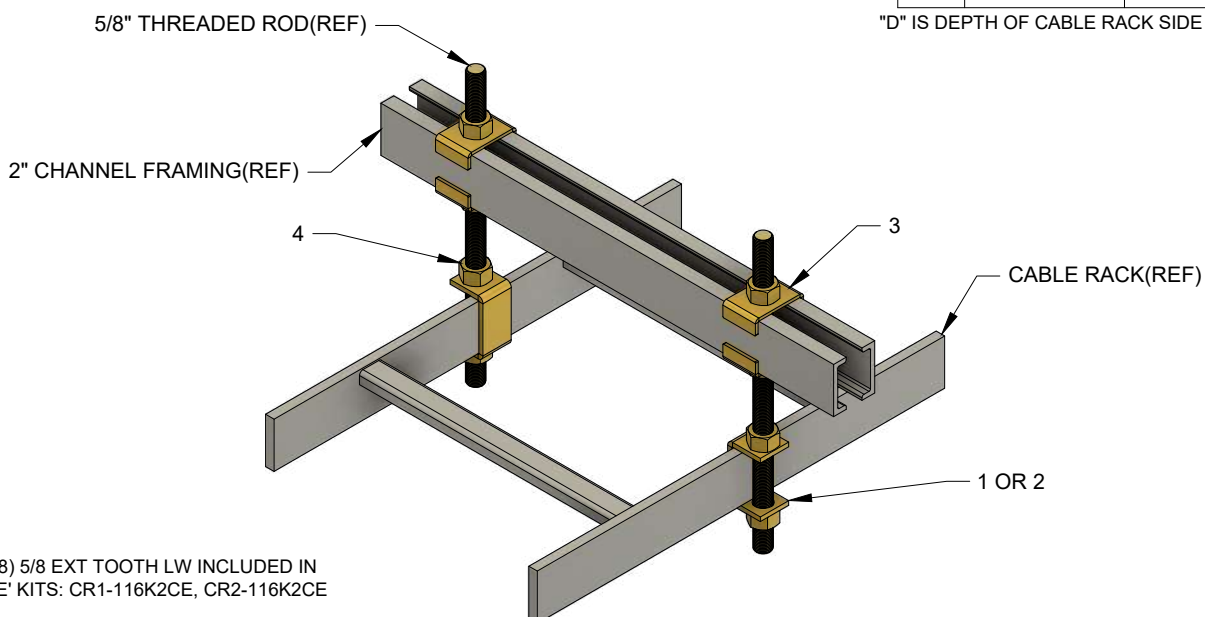


* (4) 5/8 EXT TOOTH LW INCLUDED IN 'E' KITS: CR1-116K2E, CR2-116K2E

**SINGLE CABLE RACK C-CLIP
SUPPORT KITS OVER/UNDER 2"
FRAMING CHANNEL**

ITEM	DESCRIPTION	CR1-116K2C	CR2-116K2C
1	1.5" CABLE RACK HANGER BRACKET, 5/8, ZY	2	
2	2" CABLE RACK HANGER BRACKET, 5/8, ZY		2
3	5/8" CHANNEL CLIP, ZY	4	4
4	5/8" HEX NUT, ZY GR5	8	8
	D	1-1/2"	2"

"D" IS DEPTH OF CABLE RACK SIDE BAR



* (8) 5/8 EXT TOOTH LW INCLUDED IN 'E' KITS: CR1-116K2CE, CR2-116K2CE

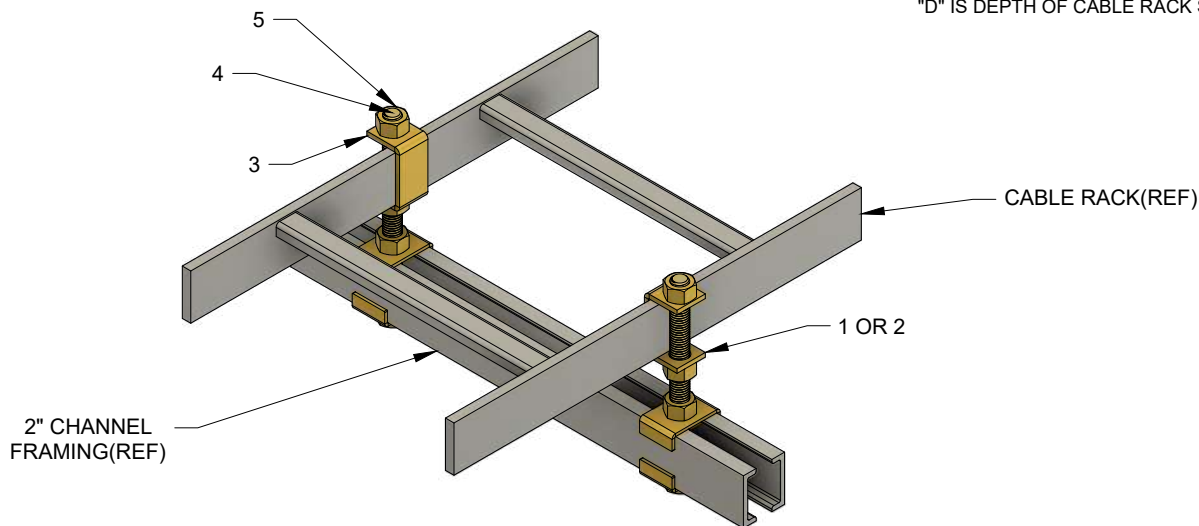
(03/30/23)



**SINGLE CABLE RACK
C-CLIP SUPPORT KITS
OVER 2" FRAMING CHANNEL
PER GR1275: FIG 10-72**

ITEM	DESCRIPTION	CR1-116K2CR	CR2-116K2CR
1	1.5" CABLE RACK HANGER BRACKET, 5/8, ZY	2	
2	2" CABLE RACK HANGER BRACKET, 5/8, ZY		2
3	5/8" CLIP, ZY	4	4
4	5/8" HEX NUT, ZY GR5	8	8
5	5/8-11 x 8" THREADED ROD, ZY GR5	2	2
	D	1-1/2"	2"

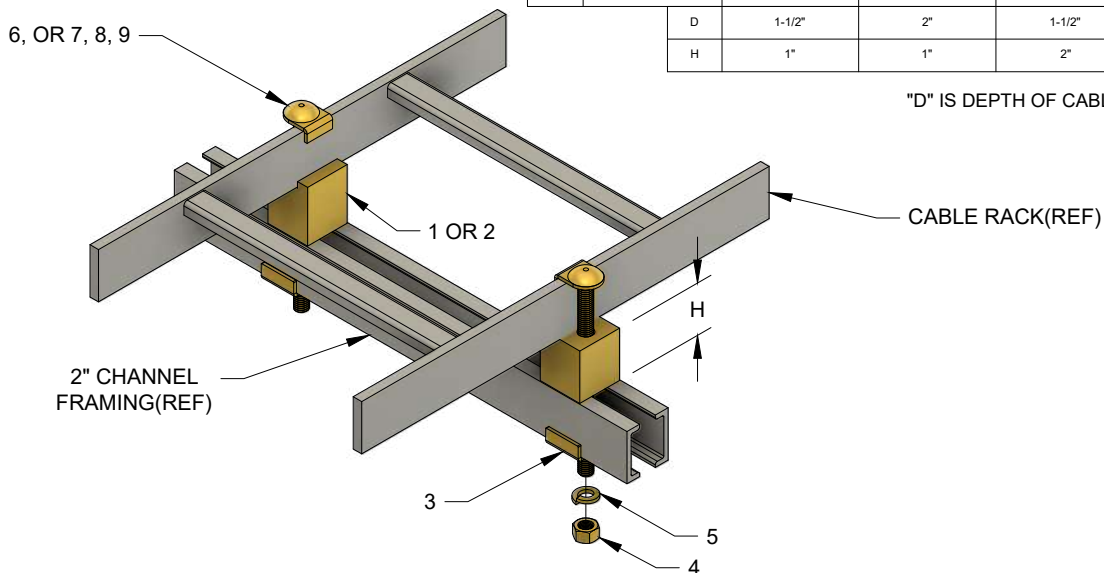
"D" IS DEPTH OF CABLE RACK SIDE BAR



**CABLE RACK SUPPORTED
OVER FRAMING w/ 1" OR 2"
SPACER**

ITEM	DESCRIPTION	CR-231K2CR1	CR-231K2CR2	CR-232K2CR1	CR-232K2CR2
1	1" SPACER, ZY	2	2		
2	2" SPACER, ZY			2	2
3	FRAMING 1/2" CLIP	2	2	2	2
4	5/8" HEX NUT, ZY GR5	2	2	2	2
5	1/2" ET LOCK WASHER, ZY	2	2	2	2
6	5.5" LOCK BOLT, ZY	2			
7	6" LOCK BOLT, ZY		2		
8	6.5" LOCK BOLT, ZY			2	
9	7" LOCK BOLT, ZY				2
	D	1-1/2"	2"	1-1/2"	2"
	H	1"	1"	2"	2"

"D" IS DEPTH OF CABLE RACK SIDE BAR



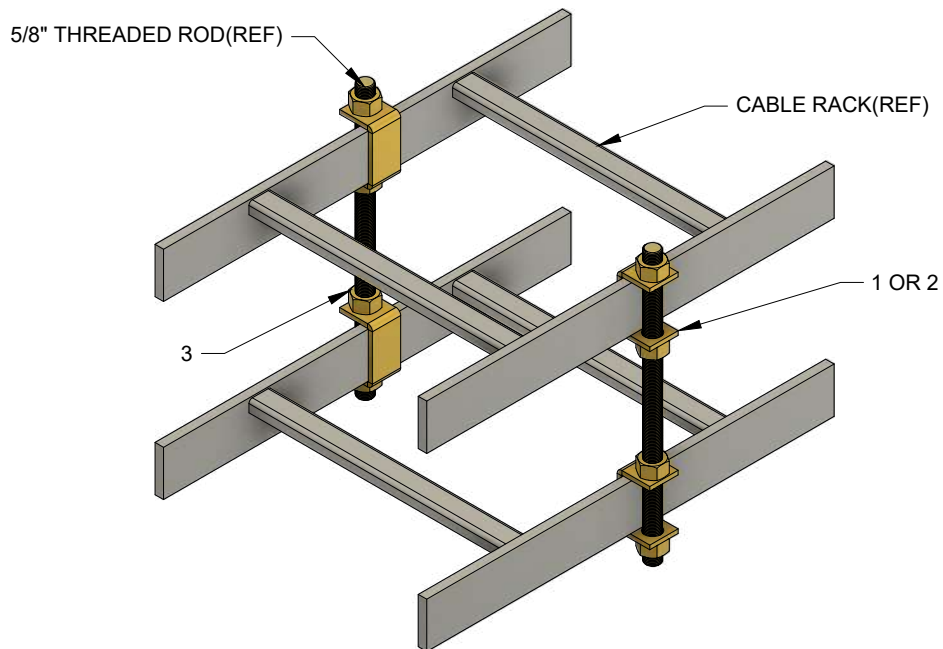
(03/30/23)



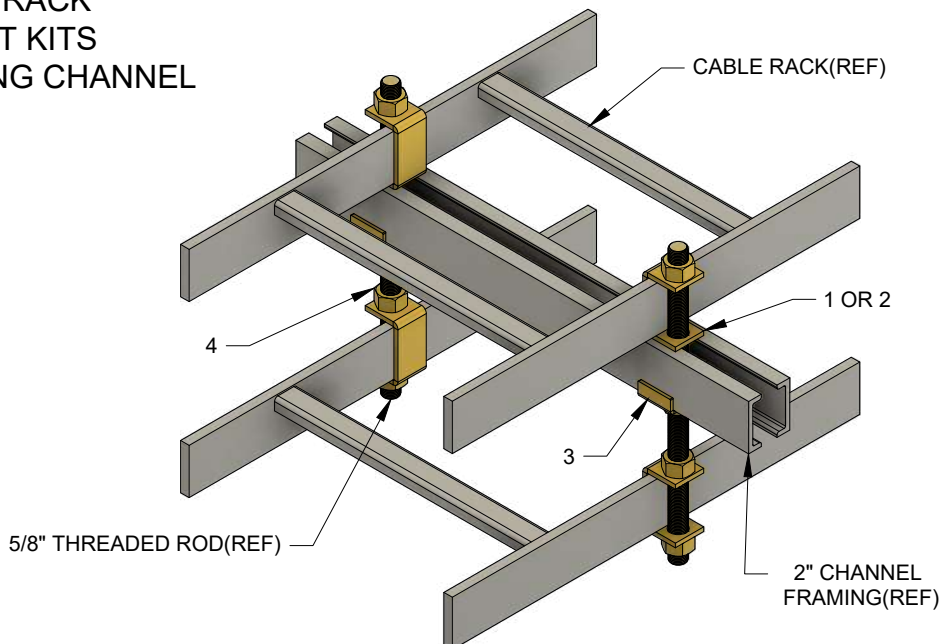
**DOUBLE CABLE RACK
C-CLIP SUPPORT KITS**

ITEM	DESCRIPTION	CR1-116K4	CR2-116K4
1	1.5" CABLE RACK HANGER BRACKET, 5/8, ZY	4	
2	2" CABLE RACK HANGER BRACKET, 5/8, ZY		4
3	5/8" HEX NUT, ZY GR5	8	8
	D	1-1/2"	2"

"D" IS DEPTH OF CABLE RACK SIDE BAR



**DOUBLE CABLE RACK
C-CLIP SUPPORT KITS
OVER 2" FRAMING CHANNEL**



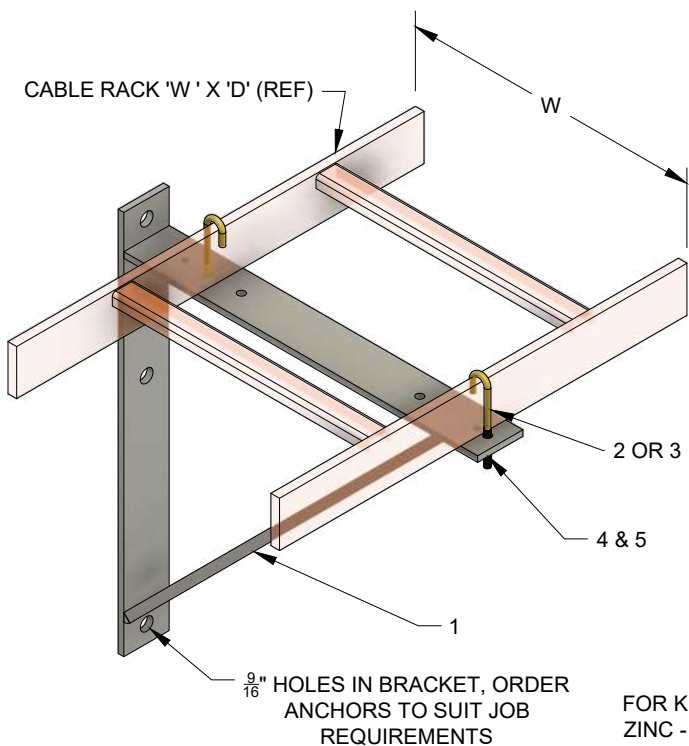
ITEM	DESCRIPTION	CR1-116K4C	CR2-116K4C	CR21-116K4C
1	1.5" CABLE RACK HANGER BRACKET, 5/8, ZY	4		2
2	2" CABLE RACK HANGER BRACKET, 5/8, ZY		4	2
3	5/8" CLIP, ZY	2	2	2
4	5/8" HEX NUT, ZY GR5	8	8	8

(03/30/23)



Moreng Telecom Products
973-237-2001
www.morengtel.com

WALL BRACKET KITS FOR PARALLEL CABLE RACK



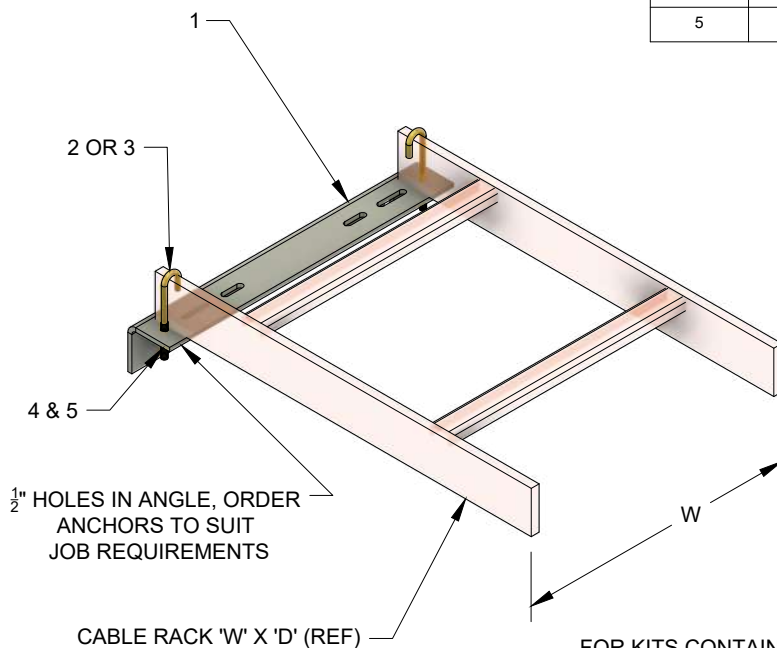
Item	DESCRIPTION	CR1-xx-140	CR2-xx-140
1	BRACKET, XX = WIDTH	1	1
2	J BOLT, 1-1/2 G5	2	
3	J BOLT, 2 G5		2
4	NUT, 1/4 GR5	2	2
5	SPRING LW, 1/4 G5	2	2

"D" IS DEPTH OF CABLE RACK SIDE BAR
MAXIMUM "W" = 15'

"D"	"W"	PART#
1-1/2"	5"	CR1-05-140
1-1/2"	6"	CR1-06-140
1-1/2"	10"	CR1-10-140
1-1/2"	12"	CR1-12-140
1-1/2"	15"	CR1-15-140
2"	5"	CR2-05-140
2"	6"	CR2-06-140
2"	10"	CR2-10-140
2"	12"	CR2-12-140
2"	15"	CR2-15-140

FOR KITS CONTAINING ANGLE w/
ZINC - YELLOW PLATING: ADD "Y"
AT END OF PART #
ADD "B" AT END FOR BLACK FINISH

WALL BRACKETS KITS FOR PERPENDICULAR CABLE RACK



ITEM	DESCRIPTION	CR1-xx-150	CR2-xx-150
1	ANGLE, XX = WIDTH	1	1
2	J BOLT, 1-1/2" G5	2	
3	J BOLT, 2" G5		2
4	NUT, 1/4 GR5	2	2
5	SPRING LW, 1/4 G5	2	2

"D" DEPTH OF CABLE RACK SIDE BAR

"D"	"W"	PART#
1-1/2"	5"	CR1-05-150
1-1/2"	6"	CR1-06-150
1-1/2"	10"	CR1-10-150
1-1/2"	12"	CR1-12-150
1-1/2"	15"	CR1-15-150
1-1/2"	18"	CR1-18-150
1-1/2"	20"	CR1-20-150
1-1/2"	24"	CR1-24-150
2"	5"	CR2-05-150
2"	6"	CR2-06-150
2"	10"	CR2-10-150
2"	12"	CR2-12-150
2"	15"	CR2-15-150
2"	18"	CR2-18-150
2"	20"	CR2-20-150
2"	24"	CR2-24-150
2"	25"	CR2-25-150

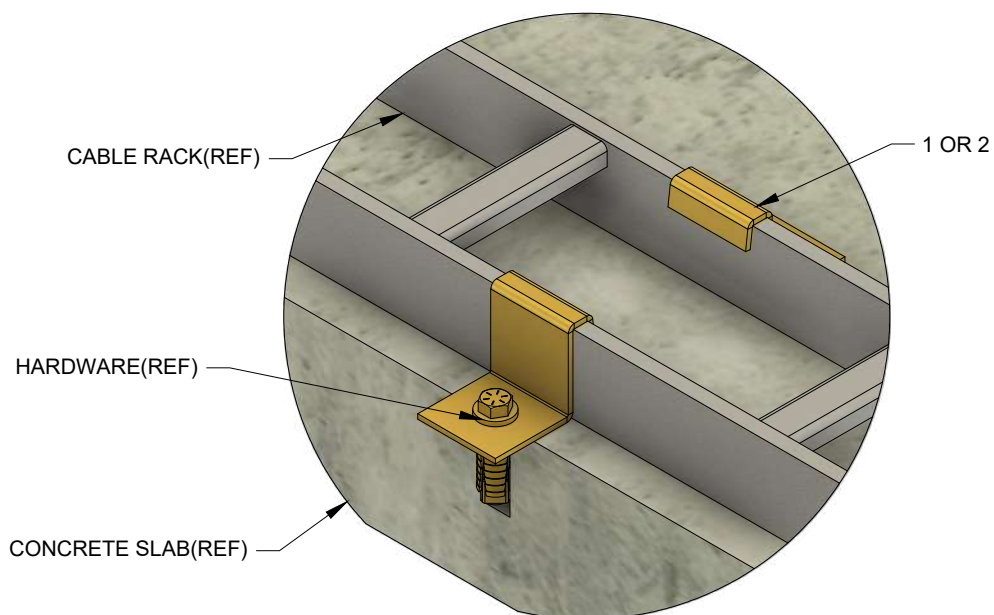
FOR KITS CONTAINING ANGLE w/
ZINC - YELLOW PLATING: ADD "Y"
AT END OF PART #
ADD "B" AT END FOR BLACK FINISH

(03/30/23)



Moreng Telecom Products
973-237-2001
www.morengtel.com

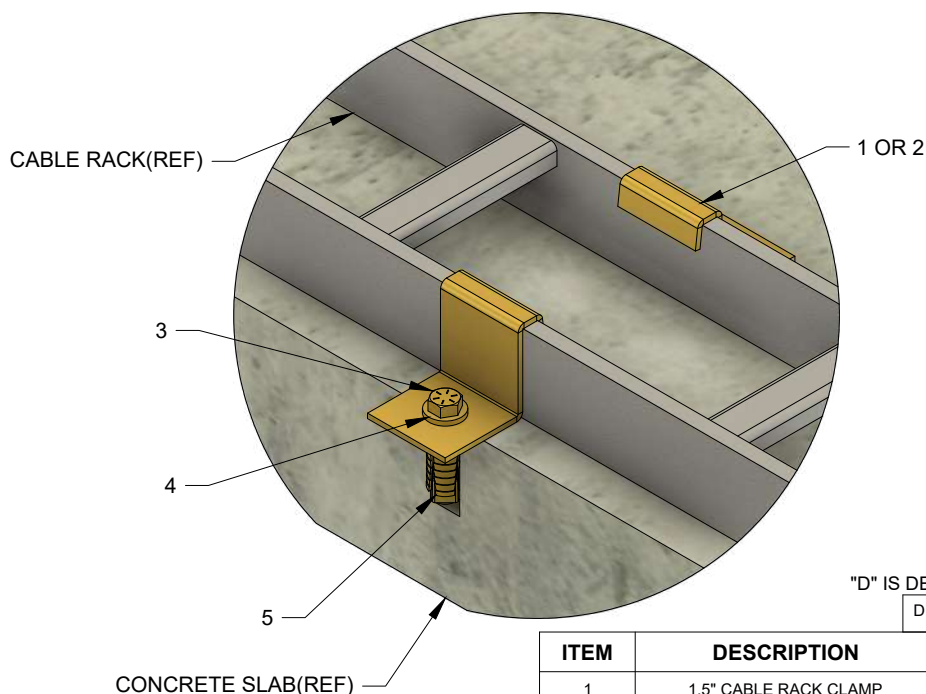
CABLE RACK ANCHOR KIT WITHOUT MTG HARDWARE



"D" IS DEPTH OF CABLE RACK SIDE BAR

		D	1-1/2"	2"
ITEM	DESCRIPTION			
1	1.5" CABLE RACK CLAMP		2	
2	2" CABLE RACK CLAMP			2

CABLE RACK ANCHOR KIT INTO CONCRETE SLAB



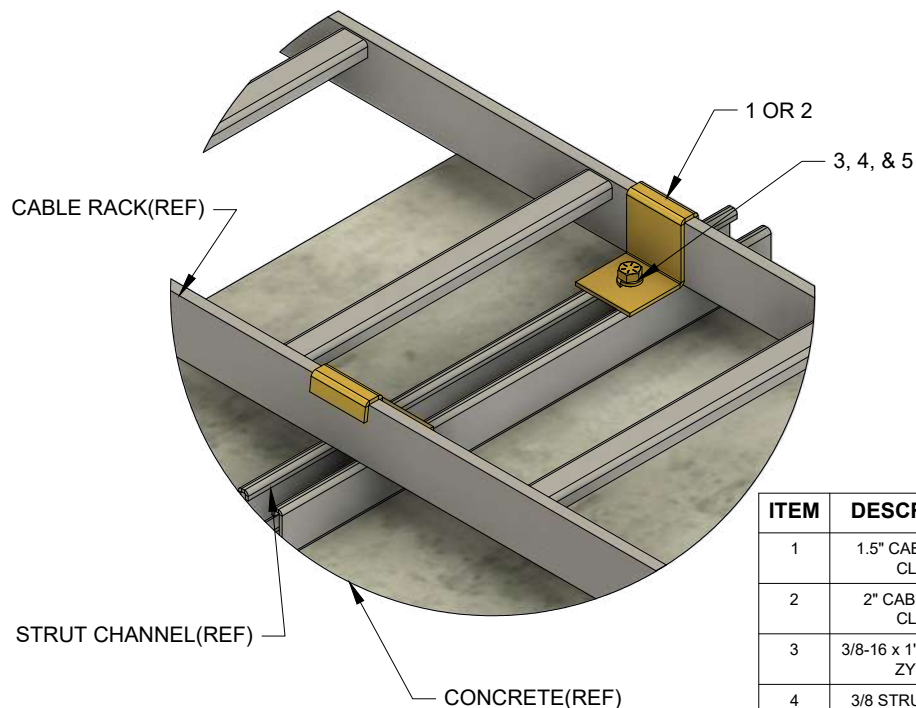
"D" IS DEPTH OF CABLE RACK SIDE BAR

		D	1-1/2"	2"
ITEM	DESCRIPTION			
1	1.5" CABLE RACK CLAMP		2	
2	2" CABLE RACK CLAMP			2
3	3/8-16 x 1.75" HEX BLOT, ZY GR5		2	2
4	3/8" FLAT WASHER, ZY		2	2
5	3/8-16 EXPANSION SHIELD		2	2

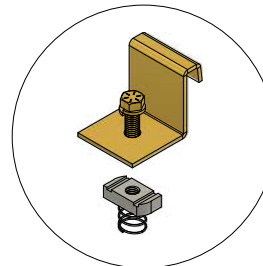
(03/30/23)



CABLE RACK ANCHOR KIT TO EXISTING STRUT CHANNEL



ITEM 1 OR 2,3,4,5 SHOWN

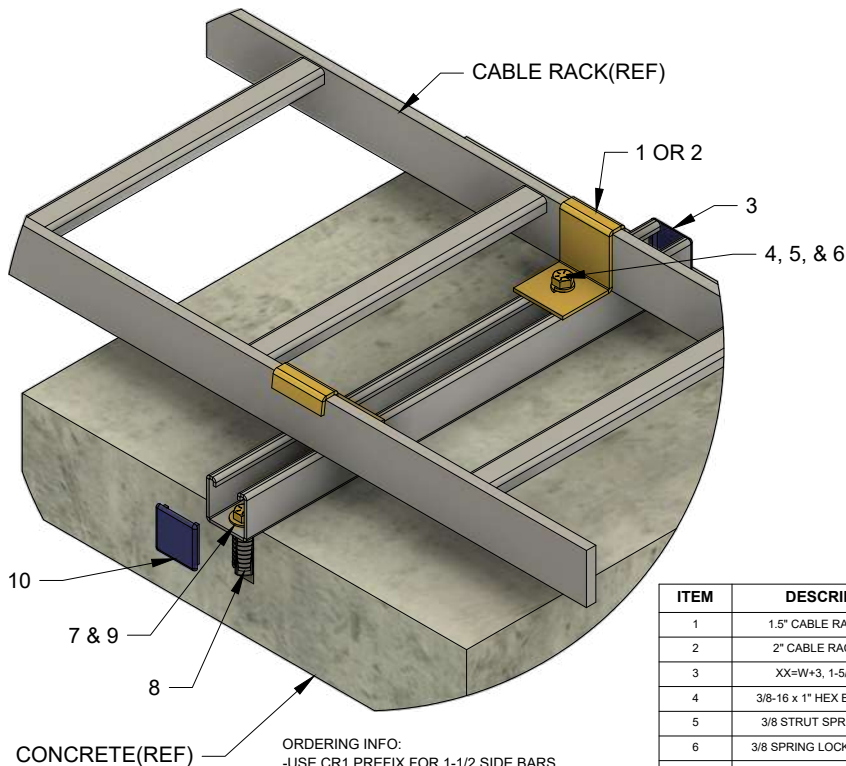


"D" IS DEPTH OF CABLE RACK SIDE BAR

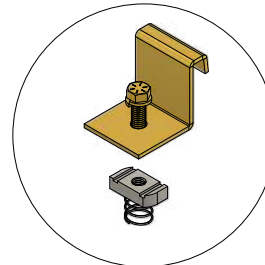
ITEM	DESCRIPTION	"D" IS DEPTH OF CABLE RACK SIDE BAR	
		1-1/2"	2"
1	1.5" CABLE RACK CLAMP	2	
2	2" CABLE RACK CLAMP		2
3	3/8-16 x 1" HEX BOLT, ZY GR5	2	2
4	3/8 STRUT SPRING NUT, ZY	2	2
5	3/8 SPRING LOCK WASHER, ZY	2	2

D IS DEPTH OF CABLE RACK SIDE BAR

CABLE RACK ANCHOR KIT TO NEW STANDOFF STRUT



ITEM 1 OR 2,4,5,6 SHOWN



"W" IS WIDTH OF CABLE RACK

"D" IS DEPTH OF CABLE RACK SIDE BAR

ITEM	DESCRIPTION	"W" IS WIDTH OF CABLE RACK	
		xx	xx
1	1.5" CABLE RACK CLAMP	2	
2	2" CABLE RACK CLAMP		2
3	XX=W+3, 1-5/8" STRUT	1	1
4	3/8-16 x 1" HEX BOLT, ZY GR5	2	2
5	3/8 STRUT SPRING NUT, ZY	2	2
6	3/8 SPRING LOCK WASHER, ZY	2	2
7	3/8-16 x 1.75" HEX BOLT, ZY GR5	2	2
8	3/8-16 EXPANSION SHIELD	2	2
9	3/8 FLAT WASHER, ZY	2	2
10	STRUT END CAP	2	2

CONCRETE(REF)

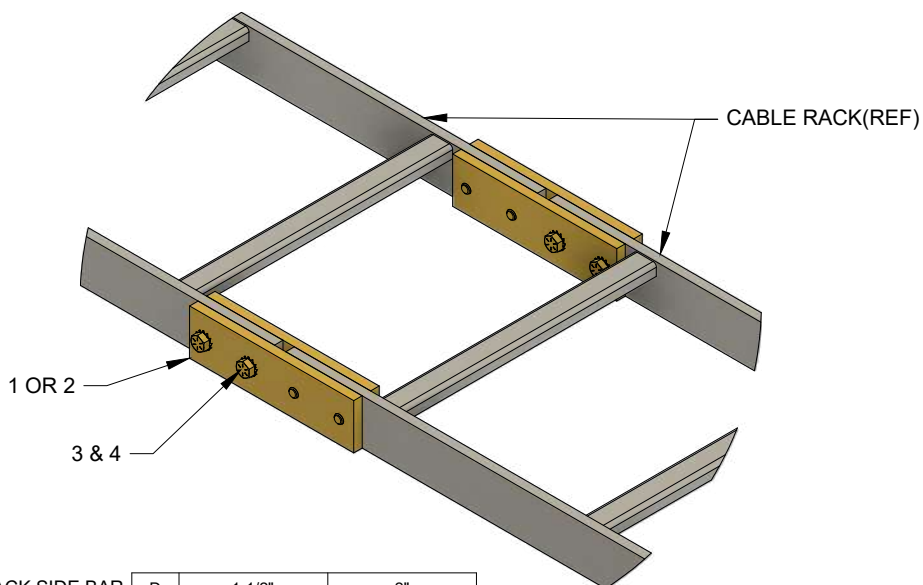
ORDERING INFO:
 -USE CR1 PREFIX FOR 1-1/2" SIDE BARS
 -USE CR2 PREFIX FOR 2" SIDE BARS
 -USE WIDTH OF CABLE RACK FOR SUFFIX
 -FOR EXAMPLE, FOR 15" CABLE RACK WITH 2" SIDES: ORDER CR2-239KS-15

(03/30/23)



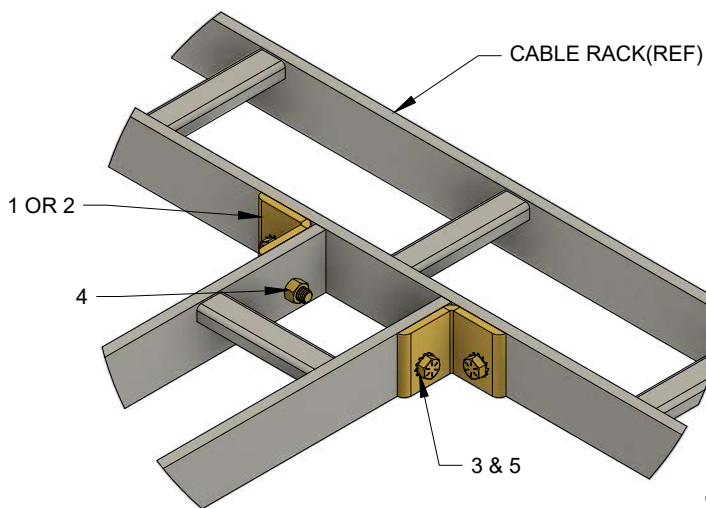
Moreng Telecom Products
 973-237-2001
www.morengtel.com

2" SOLID SIDE CABLE RACK SPLICE (ZONE 4 BOLTED)



"D" IS DEPTH OF CABLE RACK SIDE BAR		D	1-1/2"	2"
ITEM	DESCRIPTION		CR1-250NK4	CR2-250NK4
1	1.5" CABLE RACK SPLICE BAR, ZY		4	
2	2" CABLE RACK SPLICE BAR, ZY			4
3	3/8-16 x 1.25" HEX BOLT, ZY GR5		8	8
4	3/8 EXTERNAL TOOTH LW, ZY		8	8

CABLE RACK CORNER KITS (ZONE 4 BOLTED) SOLID SIDES



"D" IS DEPTH OF CABLE RACK SIDE BAR

		D	1-1/2"	2"
ITEM	DESCRIPTION		CR1-238K2	CR2-237K2
1	1.5" CABLE RACK CORNER ANGLE		2	
2	2" CABLE RACK CORNER ANGLE			2
3	3/8-16 x 1.25" HEX BOLT, ZY GR5		4	4
4	3/8-16 HEX NUT, ZY GR5		4	4
5	3/8 INTERNAL TOOTH LW, ZY		4	4

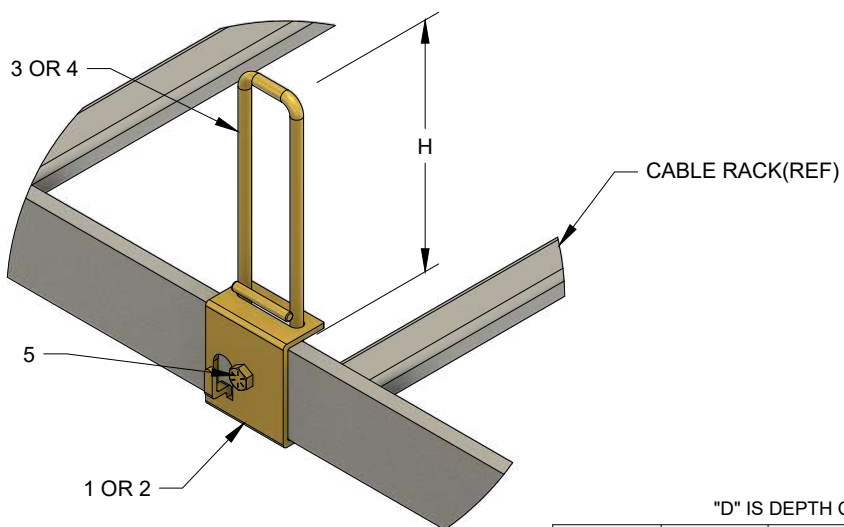
(03/30/23)



Moreng Telecom Products
973-237-2001
www.morengtel.com

STRAIGHT WIRE HORN KITS

ZINC-YELLOW CHROMATE FINISH



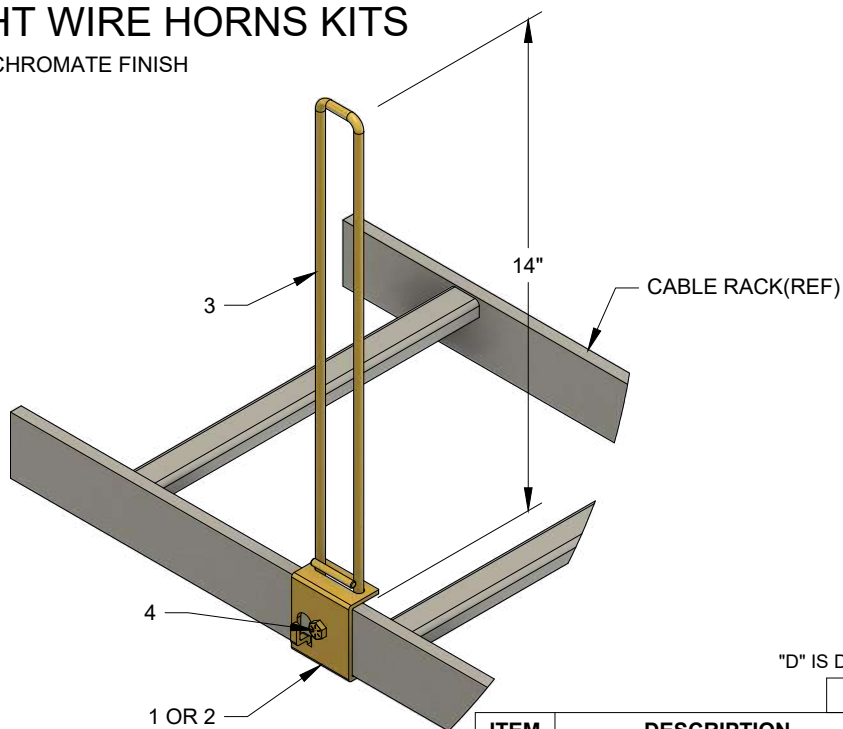
"D" IS DEPTH OF CABLE RACK SIDE BAR

D	1-1/2"	2"	1-1/2"	2"
H	8"	8"	5"	5"

ITEM	DESCRIPTION	CR1-772	CR2-772	CR1-772-05	CR2-772-05
1	1.5" CABLE RACK HORN BRACKET, ZY	1		1	
2	2" CABLE RACK HORN BRACKET, ZY		1		1
3	5" WIRE HORN			1	1
4	8" WIRE HORN	1	1		
5	1/4-20 x 1/2" HEX BOLT, ZY	1	1	1	1

STRAIGHT WIRE HORNS KITS

ZINC-YELLOW CHROMATE FINISH



"D" IS DEPTH OF CABLE RACK SIDE BAR

D	1-1/2"	2"
---	--------	----

ITEM	DESCRIPTION	CR1-772-14	CR2-772-14
1	1.5" CABLE RACK HORN BRACKET, ZY	1	
2	2" CABLE RACK HORN BRACKET, ZY		1
3	14" WIRE HORN	1	1
4	1/4-20 x 1/2" HEX BOLT, ZY	1	1

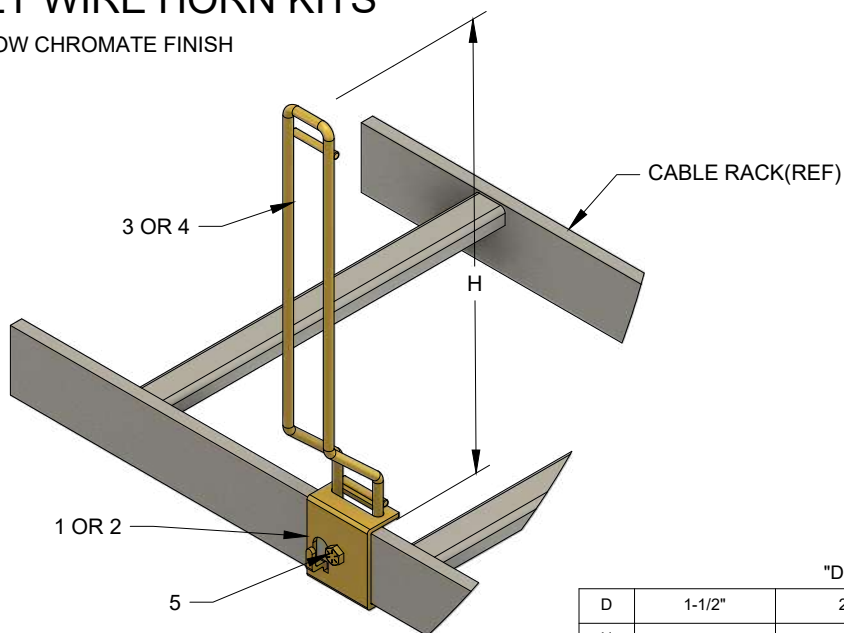
(03/30/23)



Moreng Telecom Products
973-237-2001
www.morengtel.com

OFFSET WIRE HORN KITS

ZINC-YELLOW CHROMATE FINISH



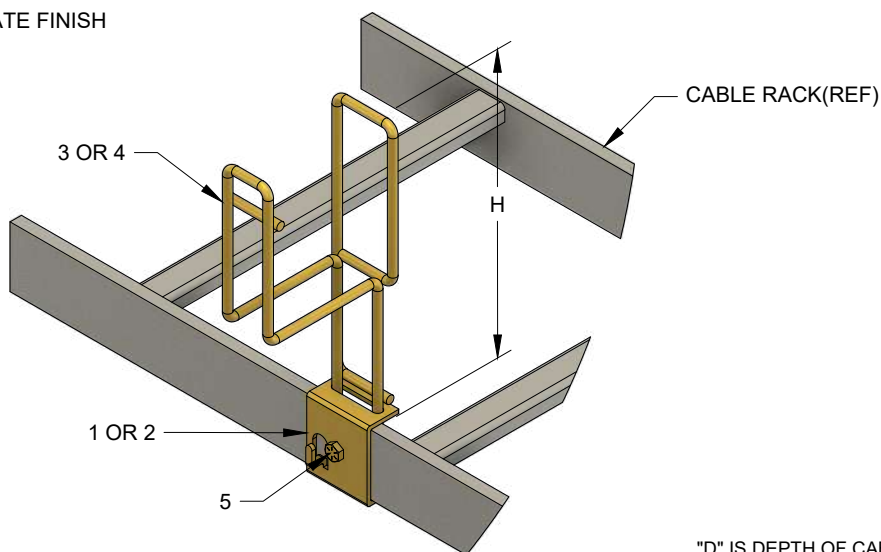
"D" IS DEPTH OF CABLE RACK SIDE BAR

D	1-1/2"	2"	1-1/2"	2"
H	12"	12"	8"	8"

ITEM	DESCRIPTION	CR1-775-12	CR2-775-12	CR1-775	CR2-775
1	1.5" CABLE RACK HORN BRACKET, ZY	1		1	
2	2" CABLE RACK HORN BRACKET, ZY		1		1
3	12" OFFSET WIRE HORN	1	1		
4	8" OFFSET WIRE HORN			1	1
5	1/4-20 x 1/2" HEX BOLT, ZY	1	1	1	1

OFFSET WIRE HORN KITS

ZINC-YELLOW CHROMATE FINISH



"D" IS DEPTH OF CABLE RACK SIDE BAR

D	1-1/2"	2"	1-1/2"	2"
H	12"	12"	8"	8"

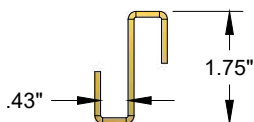
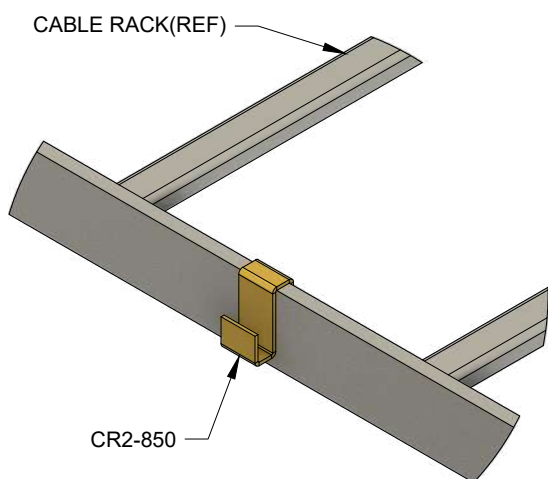
ITEM	DESCRIPTION	CR1-778-12	CR2-778-12	CR1-778	CR2-778
1	1.5" CABLE RACK HORN BRACKET, ZY	1		1	
2	2" CABLE RACK HORN BRACKET, ZY		1		1
3	12" OFFSET WIRE HORN	1	1		
4	8" WIRE HORN			1	1
5	1/4-20 x 1/2" HEX BOLT, ZY	1	1	1	1

(03/30/23)



Moreng Telecom Products
973-237-2001
www.morengtel.com

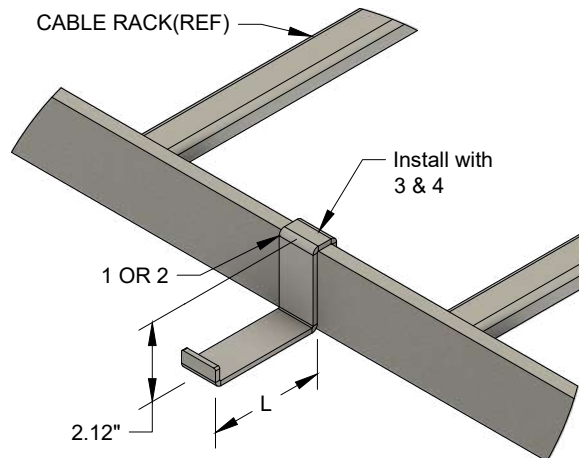
CABLE RACK CABLE CLIP



MATERIAL: 1/8 x 1/2" CRS
FINISH: ZINC-YELLOW

CR2-850

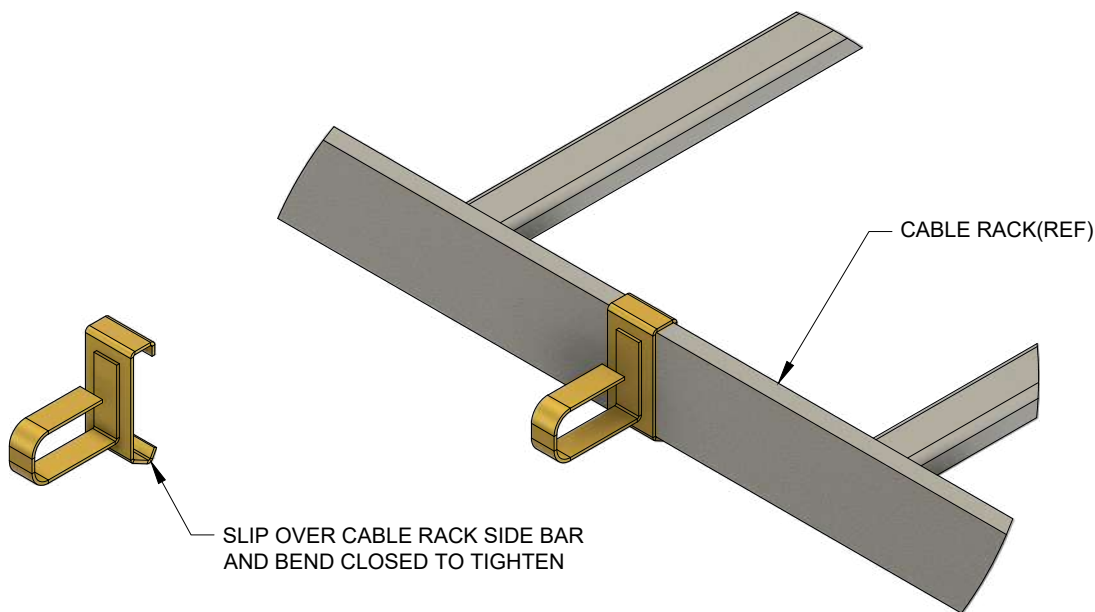
POWER CABLE BRACKET



MATERIAL: 1/8 x 1" CRS
FINISH: MTP GRAY
ADD Y TO PART # FOR ZY

		L	3"	5"
ITEM	DESCRIPTION	CR2-852	CR2-853	
1	3" POWER CABLE BRACKET	1		
2	5" POWER CABLE BRACKET			1
3	10-32 x 1/2" PHMS, ZY	1	1	
4	10-32 HEX NUT, ZY	1	1	

CABLE RACK RING(SMALL WIRES)



MATERIAL: STEEL
FINISH: ZINC-YELLOW

"D" IS DEPTH OF CABLE RACK SIDE BAR

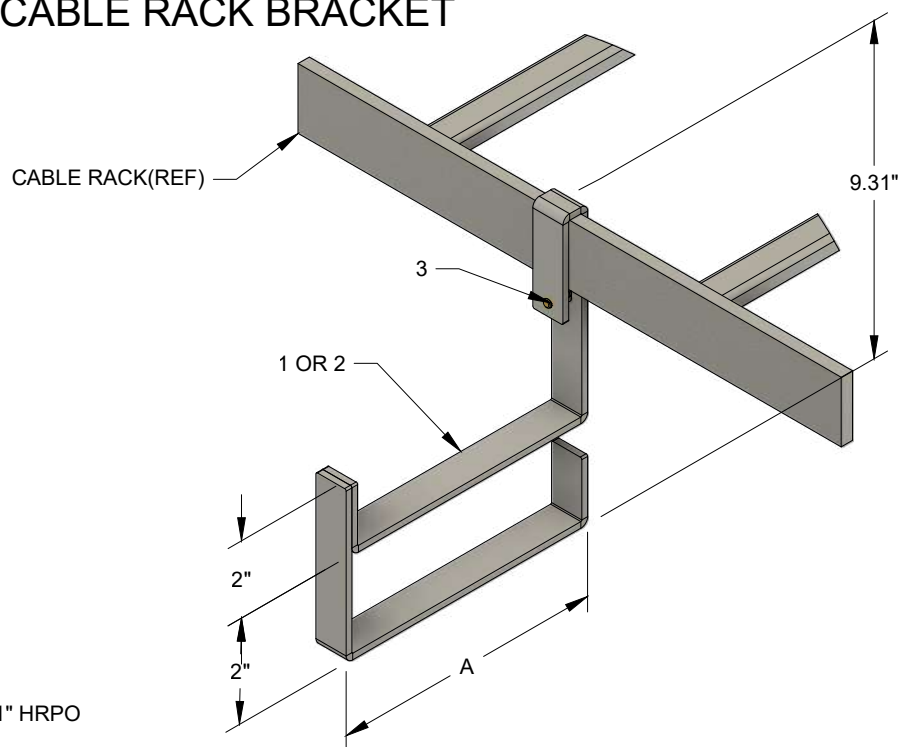
D	PART #
1-1/2"	CR1-851Y
2"	CR2-851Y

(03/30/23)



Moreng Telecom Products
973-237-2001
www.morengtel.com

DOUBLE CABLE RACK BRACKET



MATERIAL: $\frac{3}{16}$ " x 1" HRPO

FINISH: MTP GRAY POWDER
FOR ZINC YELLOW CHROMATE
ADD Y AT END OF PART #

FOR USE UNDER 1-1/2" OR 2" SIDE BARS

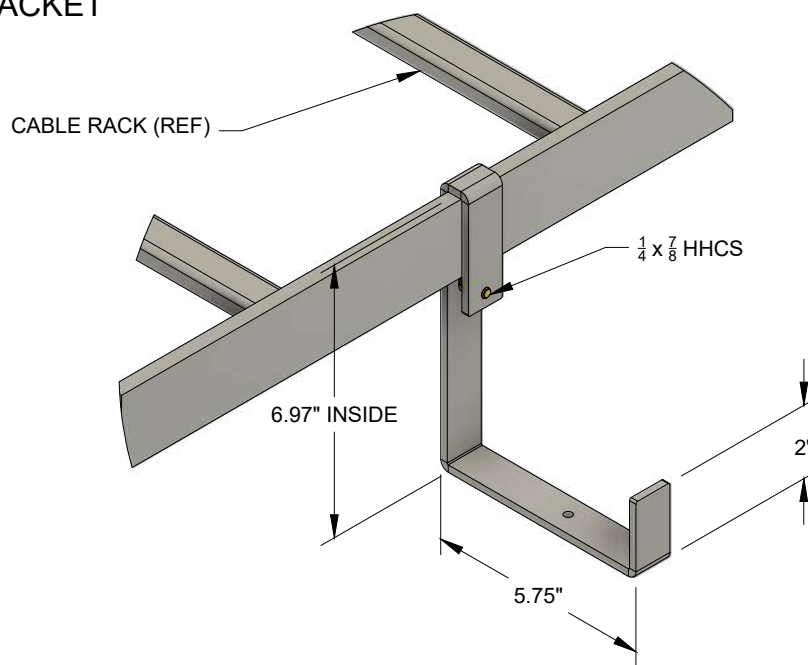
ITEM	DESCRIPTION	CR2-871
1	DOUBLE CABLE RACK BRACKET	1
2	1/4-20 x 7/8" HEX BOLT, ZY GR5	1

(11/21/24)



Moreng Telecom Products
973-237-2001
www.morengtel.com

POWER CABLE BRACKET



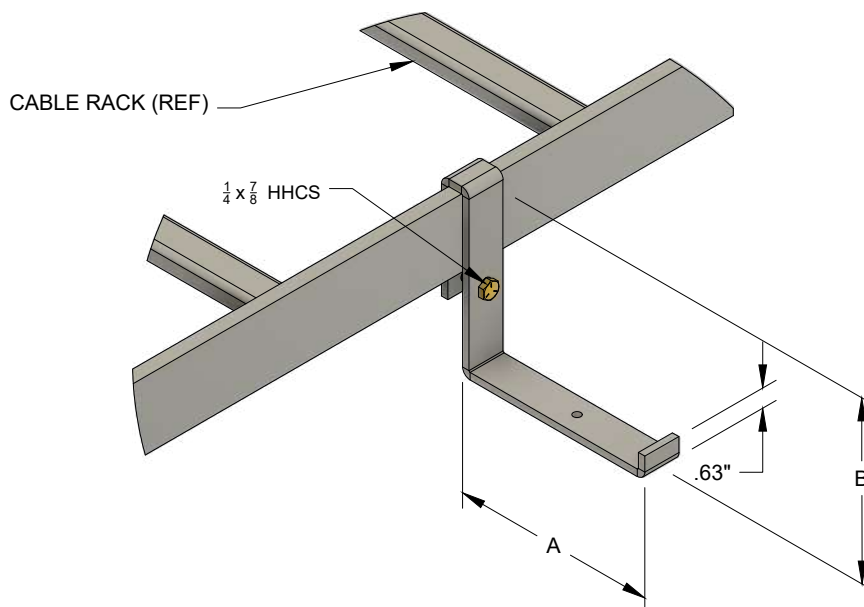
MATERIAL: $\frac{3}{16}$ " x 1" HRPO

FINISH: MTP GRAY POWDER
FOR ZINC YELLOW CHROMATE
ADD Y AT END OF PART #

FOR USE UNDER 1-1/2" OR 2" SIDE BARS

CR2-872

POWER CABLE BRACKET



MATERIAL: $\frac{3}{16}$ " x 1" HRPO

FINISH: MTP GRAY POWDER
FOR ZINC YELLOW CHROMATE
ADD Y AT END OF PART #

FOR USE UNDER 1-1/2" OR 2" SIDE BARS

"A"	"B"	PART #
5.38	4.81	CR2-873
3.87	6.19	CR2-873A
5.38	6.19	CR2-873C

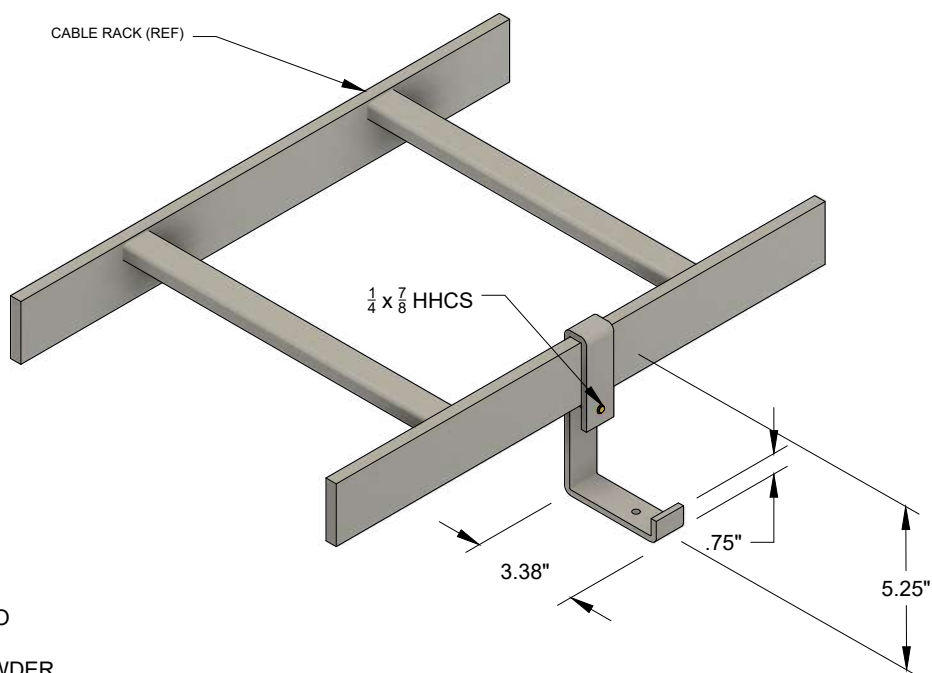
(03/30/23)



Moreng Telecom Products
973-237-2001
www.morengtel.com

CABLE BRACKETS CAN BE MADE TO
YOUR SPECS- PLEASE CONTACT US

POWER CABLE BRACKET



MATERIAL: $\frac{3}{16}$ " x 1" HRPO

FINISH: MTP GRAY POWDER
FOR ZINC YELLOW CHROMATE
ADD Y AT END OF PART #

FOR USE UNDER 1-1/2" OR 2" SIDE BARS

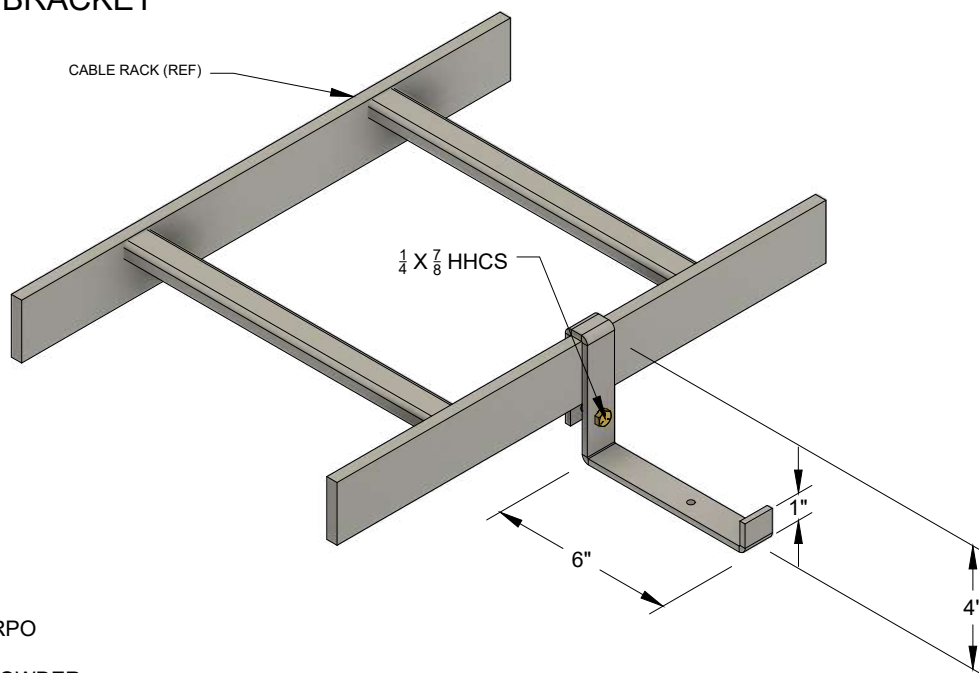
CR2-876

(03/30/23)



Moreng Telecom Products
973-237-2001
www.morengtel.com

POWER CABLE BRACKET



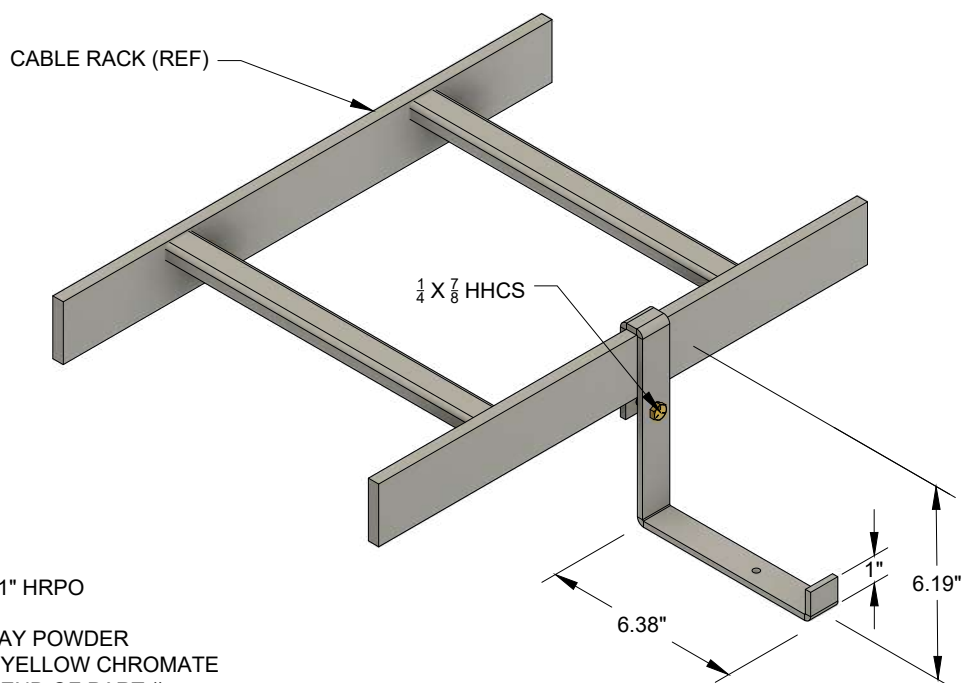
MATERIAL: $\frac{3}{16}$ " x 1" HRPO

FINISH: MTP GRAY POWDER
FOR ZINC YELLOW CHROMATE
ADD Y AT END OF PART #

FOR USE UNDER 1-1/2" OR 2" SIDE BARS

CR2-877

POWER CABLE BRACKET



MATERIAL: $\frac{3}{16}$ " x 1" HRPO

FINISH: MTP GRAY POWDER
FOR ZINC YELLOW CHROMATE
ADD Y AT END OF PART #

FOR USE UNDER 1-1/2" OR 2" SIDE BARS

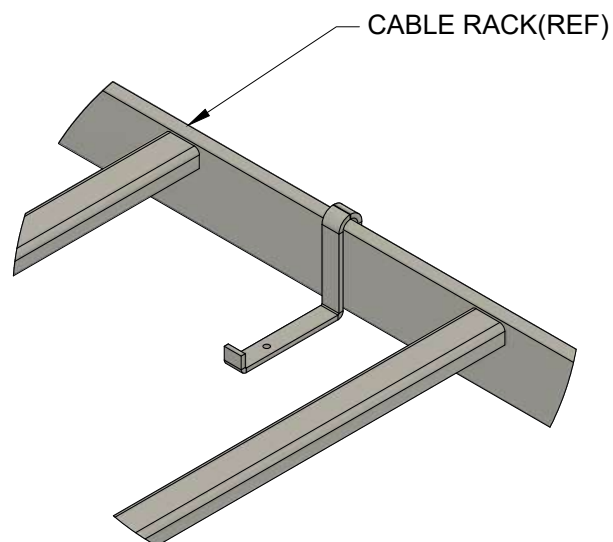
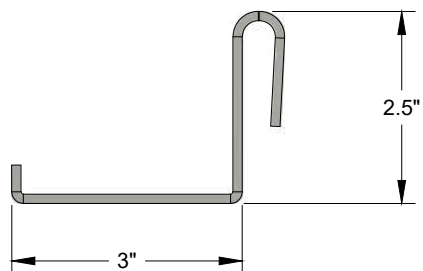
CR2-878

(03/30/23)



Moreng Telecom Products
973-237-2001
www.morengtel.com

GROUND WIRE CABLE BRACKET



MATERIAL: $\frac{1}{8} \times \frac{1}{2}$ HRPO

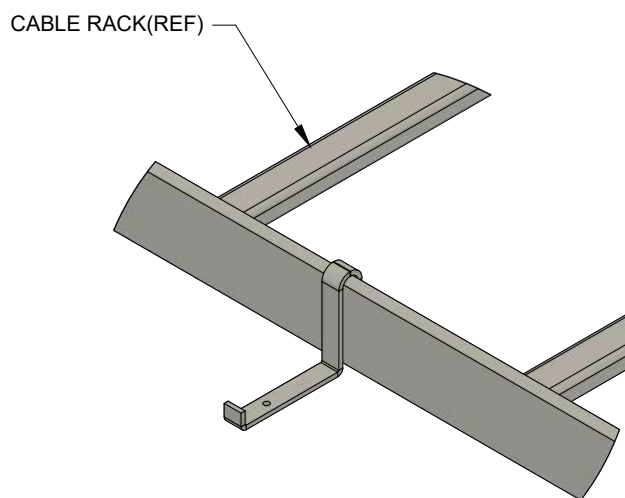
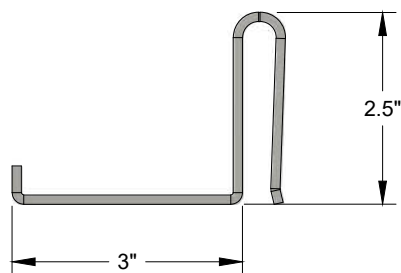
FINISH: MTP GRAY POWDER
FOR ZINC-YELLOW CHROMATE, ADD 'Y' AT END OF PART #

FOR USE UNDER 2" SIDE BARS ONLY

*NOTE:
THIS BRACKET WILL MOUNT ON EITHER
INSIDE OR OUTSIDE OF 2" SSB RACK

CR2-879

GROUND WIRE CABLE BRACKET



MATERIAL: $\frac{1}{8} \times \frac{1}{2}$ HRPO

FINISH: MTP GRAY POWDER
FOR ZINC-YELLOW, ADD 'Y' AT END OF PART #

FOR USE BESIDES 2" SIDE BARS

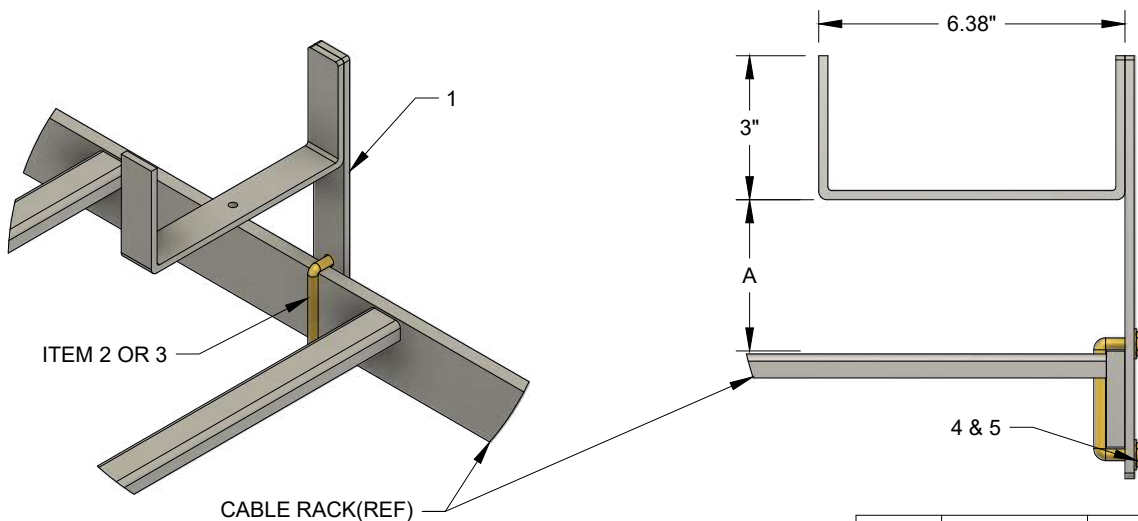
CR2-879A

(12/05/23)



Moreng Telecom Products
973-237-2001
www.morengtel.com

CABLE BRACKET (OVER CABLE RACK)



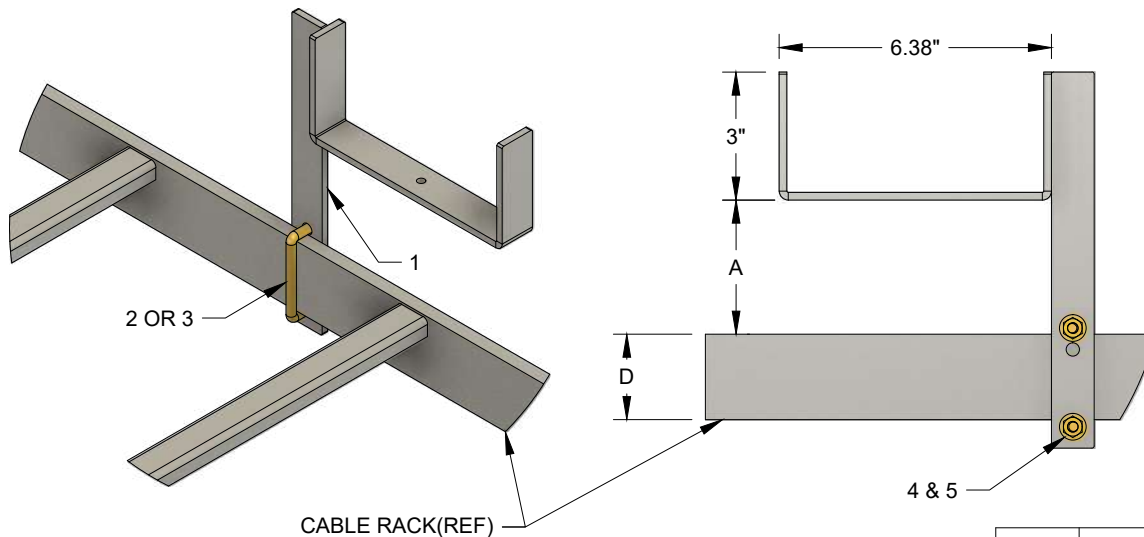
MATERIAL: $\frac{3}{16}$ x 1 HRPO

FINISH: MTP GRAY POWDER

"D" IS THE DEPTH OF CABLE RACK SIDE BAR

ITEM	DESCRIPTION	CR1-880K	CR2-880K
		1	OVERHEAD BRACKET
2	U-BOLT 1.5" CABLE RACK	1	
3	U-BOLT 2" CABLE RACK		1
4	1/4 STEEL FLAT WASHER	2	2
5	1/4-20 STEEL HEX NUT	2	2

CABLE BRACKET (90 DEG. OVER CABLE RACK)



MATERIAL: $\frac{3}{16}$ x 1 HRPO

FINISH: MTP GRAY POWDER

"D" IS THE DEPTH OF CABLE RACK SIDE BAR

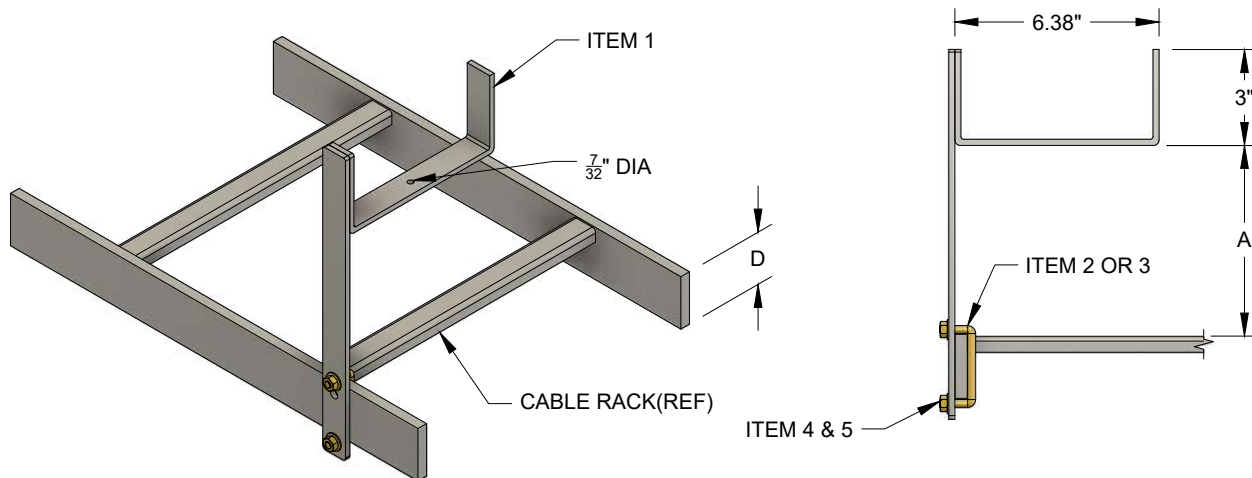
ITEM	DESCRIPTION	CR1-881K	CR2-881K
		1	OVERHEAD BRACKET
2	U-BOLT 1.5" CABLE RACK	1	
3	U-BOLT 2" CABLE RACK		1
4	1/4 STEEL FLAT WASHER	2	2
5	1/4-20 STEEL HEX NUT	2	2

(03/30/23)



Moreng Telecom Products
973-237-2001
www.morengtel.com

CABLE BRACKET (OVER CABLE RACK)



D	1-1/2"	2"
A	6.5"	6"

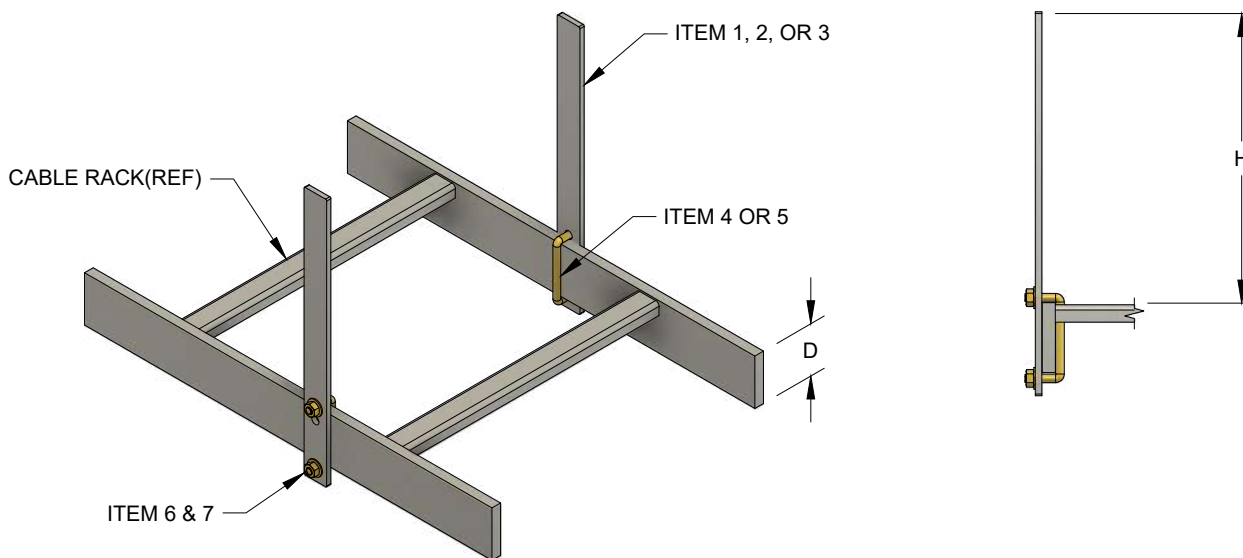
MATERIAL: $\frac{3}{16}$ x 1 HRPO

FINISH: MTP GRAY POWDER

"D" IS THE DEPTH OF CABLE RACK SIDE BAR

ITEM	DESCRIPTION	CR1-882K	CR2-882K
1	OVERHEAD BRACKET	1	1
2	U-BOLT 1.5" CABLE RACK	1	
3	U-BOLT 2" CABLE RACK		1
4	1/4 STEEL FLAT WASHER	2	2
5	1/4-20 STEEL HEX NUT	2	2

CABLE RACK HORNS



D	1-1/2"	2"	1-1/2"	2"
H	8.75"	8.25"	6.56"	6.06"

MATERIAL: $\frac{3}{16}$ x 1 HRPO

FINISH: MTP GRAY POWDER

"D" IS THE DEPTH OF CABLE RACK SIDE BAR

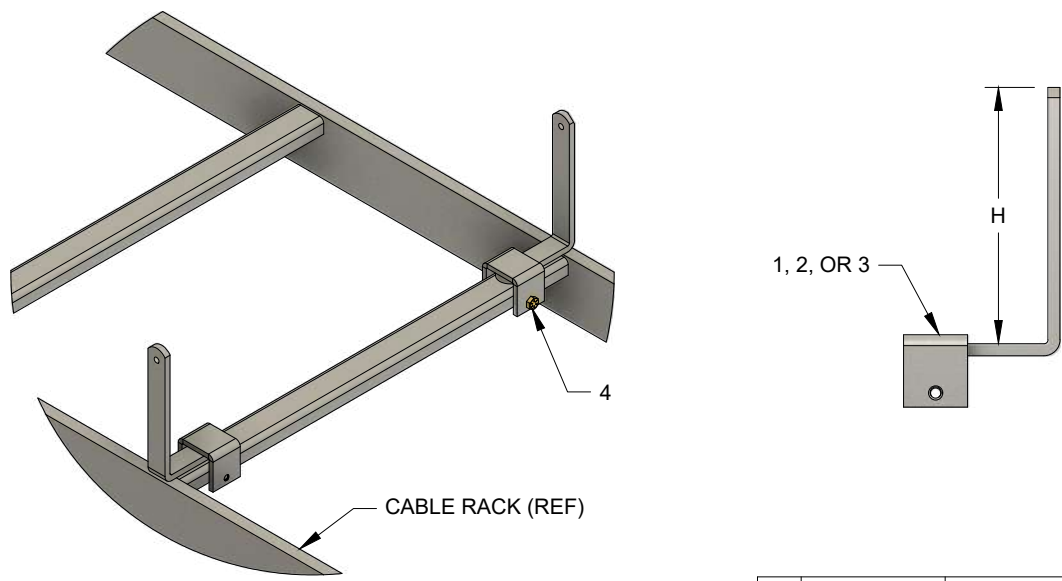
ITEM	DESCRIPTION	CR1-884K2	CR2-884K2	CR1-886K2	CR2-886K2
1	HORNS	2	2		
2	U-BOLT 1.5" CABLE RACK	2		2	
3	U-BOLT 2" CABLE RACK		2		2
4	1/4 STEEL FLAT WASHER	4	4	4	4
5	1/4-20 STEEL HEX NUT	4	4	4	4

(03/30/23)



Moreng Telecom Products
973-237-2001
www.morengtel.com

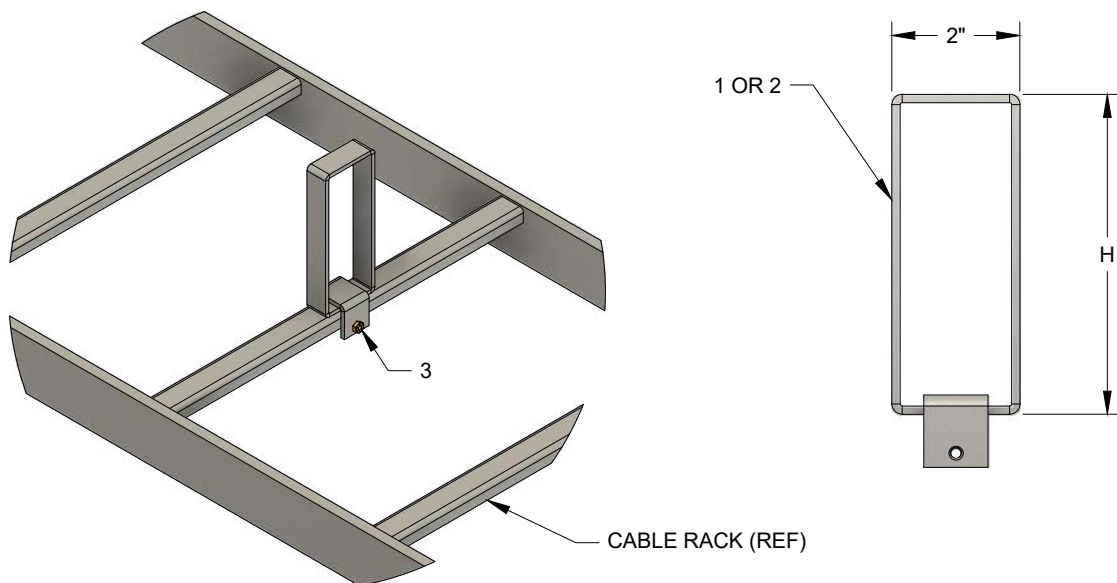
CABLE RACK HORNS (HEAVY DUTY)



MATERIAL: CARBON STEEL
 FINISH: MTP GRAY POWDER

	H	4"	6"	8"
ITEM	DESCRIPTION	CR1-894K2	CR1-896K2	CR1-898K2
1	4" CABLE RACK HORNS	2		
2	6" CABLE RACK HORNS		2	
3	8" CABLE RACK HORNS			2
4	10-32 x 1.5" STEEL HEX HEAD BOLT	2	2	2

CABLE SEPARATORS (AT&T)



MATERIAL: CARBON STEEL
 FINISH: MTP GRAY POWDER

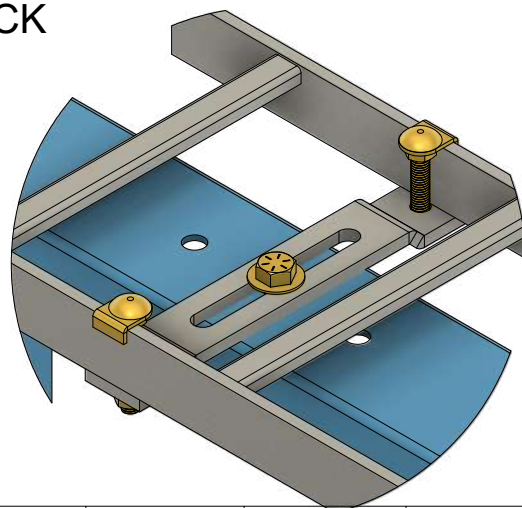
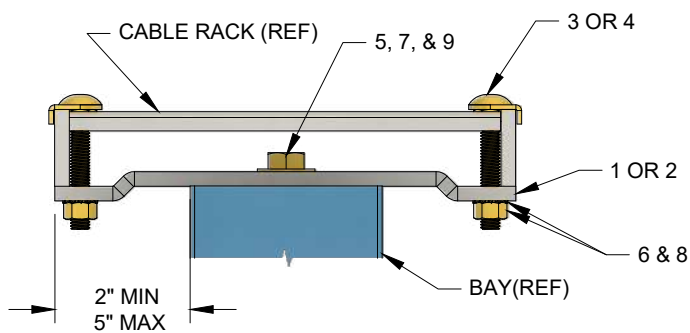
	H	5"	8"
ITEM	DESCRIPTION	CR1-905K	CR1-908K
1	5" CABLE RACK SEPARATORS	2	
2	8" CABLE RACK SEPARATORS		2
3	10-32 x 1.5" STEEL HEX HEAD BOLT	2	2

(03/30/23)



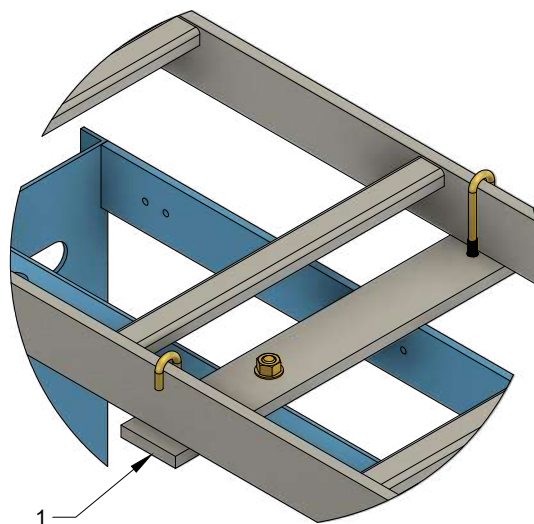
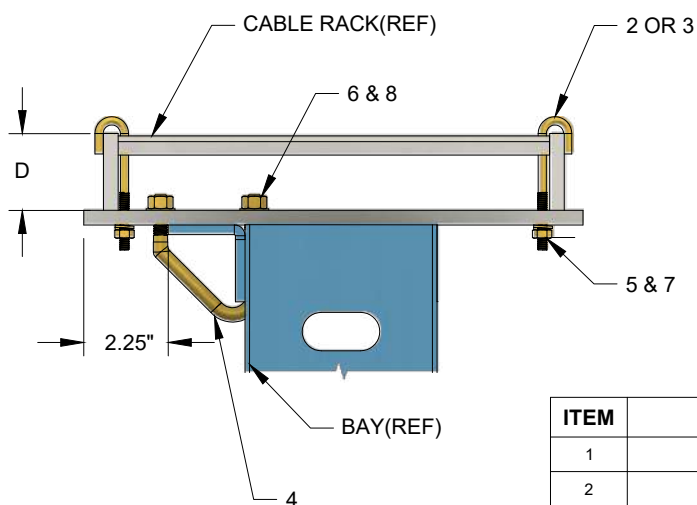
Moreng Telecom Products
 973-237-2001
 www.morengtel.com

CONNECTON OF 12" OR 15" CABLE RACK TO TOP OF RELAY RACK



ITEM	DESCRIPTION	CABLE RACK SIZE			
		12" x 1.50"	12" x 2.00"	15" x 1.50"	15" x 2.00"
1	12" SUPPORT BRACKET	1		1	
2	15" SUPPORT BRACKET		1		1
3	2-5/8" LOCK BOLT	2		2	
4	3-1/8" LOCK BOLT		2		2
5	5/8-11 x 1-3/4 HHCS, ZY	1	1	1	1
6	1/2-13 HEAVY STEEL HEX NUT, ZY	2	2	2	2
7	5/8-11 HEAVY STEEL HEX NUT, ZY	1	1	1	1
8	1/2 EXTERNAL TOOTH LOCK WASHER, ZY	2	2	2	2
9	5/8 STEEL FLAT WASHER, ZY	2	2	2	2

CONNECTION OF 12" CABLE RACK TO TOP OF RELAY RACK

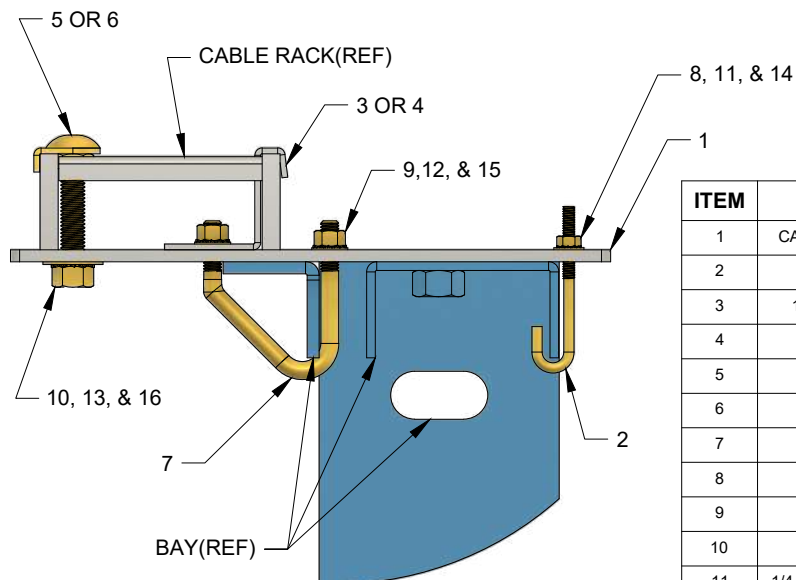


ITEM	DESCRIPTION	D	
		1.50"	2"
1	12" SUPPORT BRACKET	1	1
2	1/4" x 3-1/4" J BOLT		2
3	1/4" x 2-3/4" J BOLT	2	
4	V-BOLT	1	1
5	1/4-20 HEAVY STEEL HEX NUT, ZY	2	2
6	3/8-16 HEAVY STEEL HEX NUT, ZY	2	2
7	1/4 STEEL SPRING LOCK WASHER, ZY	2	2
8	3/8 STEEL FLAT WASHER, ZY	2	2

(03/30/23)

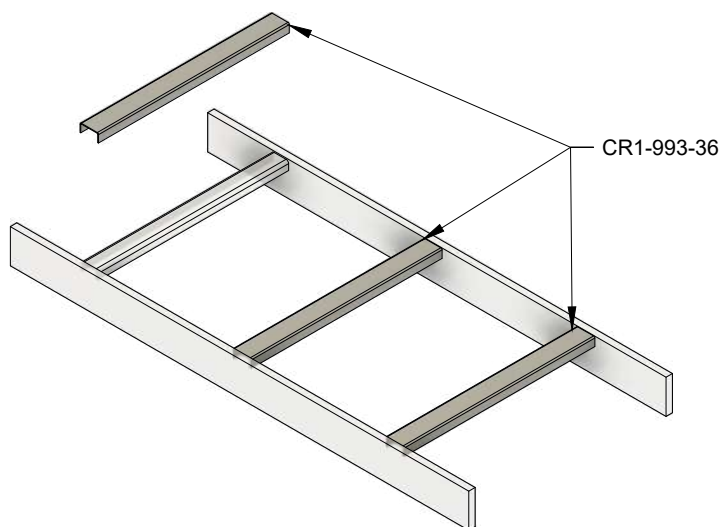


CONNECTION OF 5" CABLE RACK TO TOP OF RELAY RACK



ITEM	DESCRIPTION	"D" IS DEPTH OF CABLE RACK SIDE BAR	
		D	
		1-1/2"	2"
1	CABLE RACK SUPPORT BAR	1	1
2	1/4-20 x 3-1/4 J-BOLT	1	1
3	1.5" CABLE RACK CLAMP	1	
4	2" CABLE RACK CLAMP		1
5	4.5" LOCK BOLT	1	
6	5" LOCK BOLT		1
7	3/8-16 V-BOLT	1	1
8	1/4-20 STEEL HEX NUT	1	1
9	3/8-16 STEEL HEX NUT	2	2
10	1/2-13 STEEL HEX NUT	1	1
11	1/4 EXTERNAL LOCK WASHER	1	1
12	3/8 EXTERNAL LOCK WASHER	2	2
13	1/2 EXTERNAL LOCK WASHER	1	1
14	1/4 STEEL FLAT WASHER	1	1
15	3/8 STEEL FLAT WASHER	2	2
16	1/2 STEEL FLAT WASHER	1	1

CABLE RACK RUNG COVER FOR ALL CABLE RACK SIZES



CR1-993-36" LONG, INSTALLER TO CUT TO FIT CABLE RACK RUNG

(PLASTIC UL94V - LIGHT GRAY)

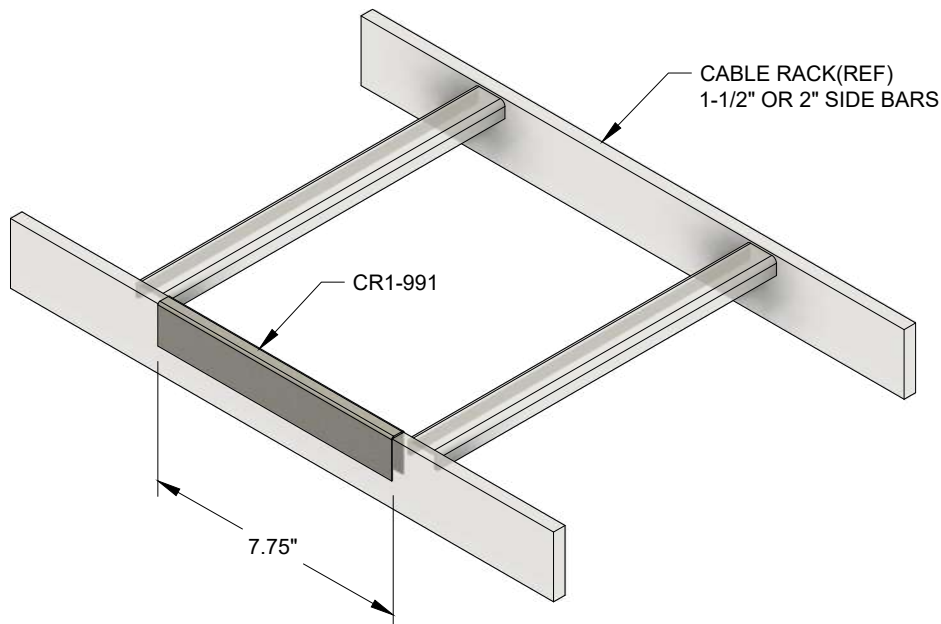
CR1-993-36

(03/30/23)



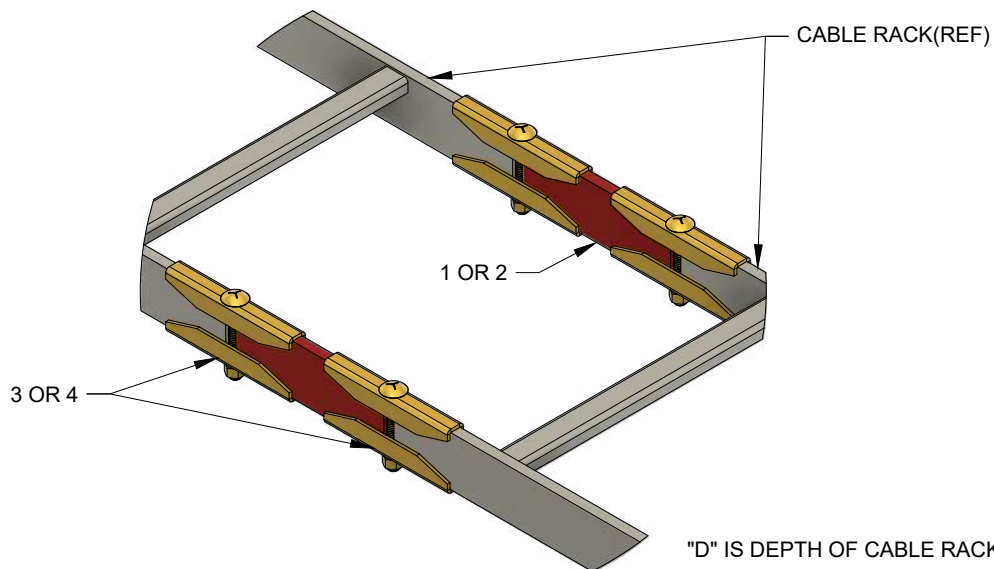
Moreng Telecom Products
973-237-2001
www.morengtel.com

PLASTIC EDGE PROTECTION FOR CABLE RACK SIDE BARS



CR1-991

CABLE RACK SPLICE KITS WITH INSULATING BARS



ITEM	DESCRIPTION	D	1-1/2"	2"
		CR1-221IN	CR2-221IN	
1	1.5" x 6" INSULATING BAR	2		
2	2" x 6" INSULATING BAR		2	
3	1.5" CABLE RACK SPLICE KIT	2		
4	2" CABLE RACK SPLICE KIT			2

(03/30/23)

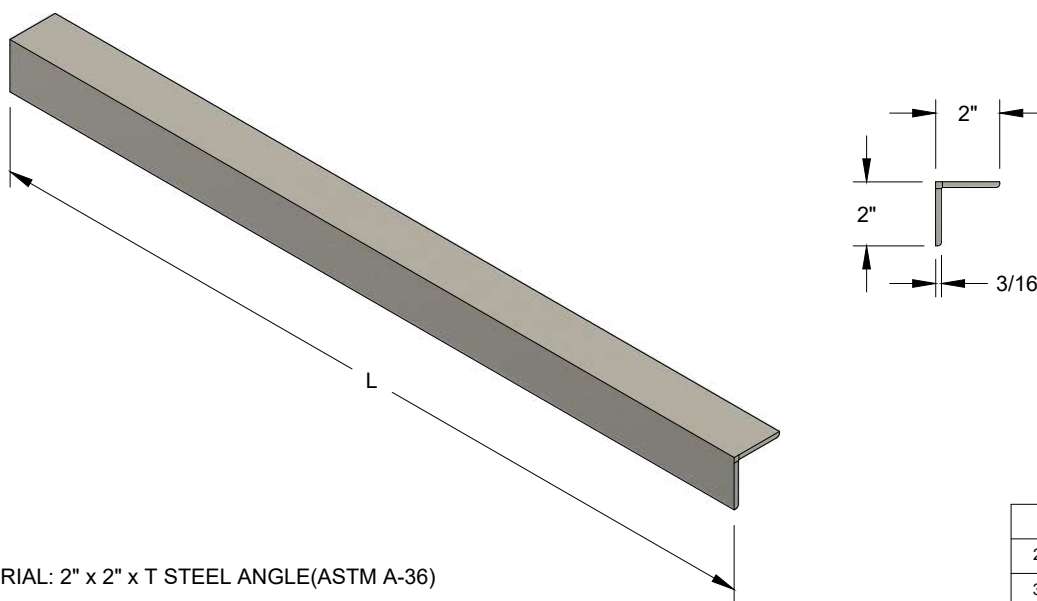


Moreng Telecom Products
973-237-2001
www.morengtel.com

BRACING



2" FRAMING BRACE ANGLE



MATERIAL: 2" x 2" x T STEEL ANGLE(ASTM A-36)

STANDARD FINISH: MTP GRAY

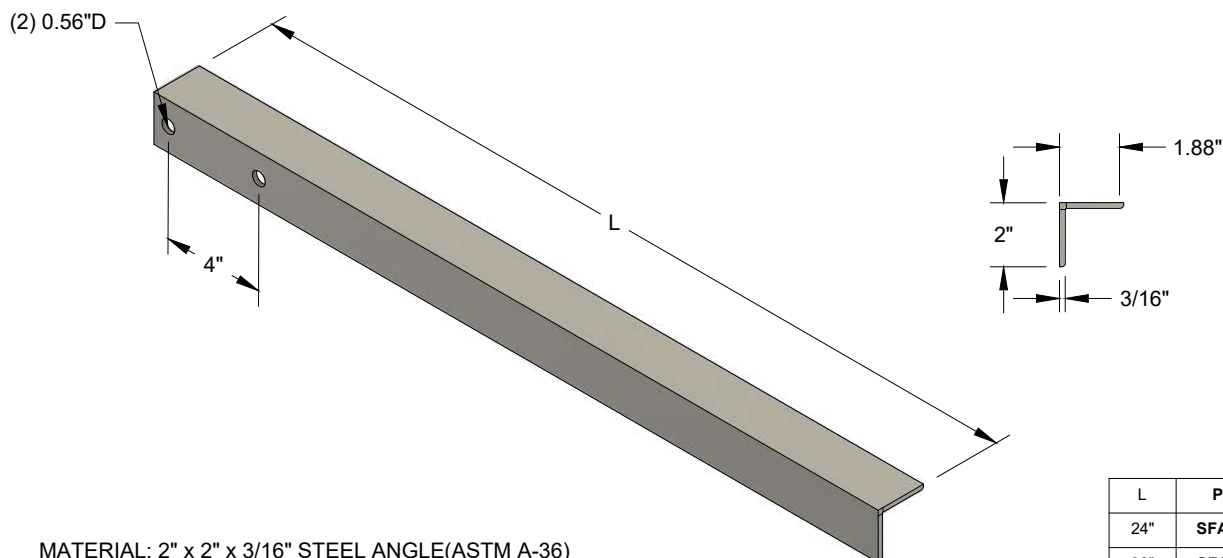
OPTIONAL FINISH: ZINC YELLOW(ADD Y AT END OF PART #)

MAY BE ORDERED TO ANY LENGTH BY USING LAST 3 DIGITS OF PART NUMBER AS REQUIRED LENGTH (INCHES)

L	PART #
24"	SFA-2-024
36"	SFA-2-036
48"	SFA-2-048
60"	SFA-2-060
72"	SFA-2-072
96"	SFA-2-096
120"	SFA-2-120
240"	SFA-2-240

2" FRAMING BRACE ANGLE

(PREDRILLED AS SHOWN)



MATERIAL: 2" x 2" x 3/16" STEEL ANGLE(ASTM A-36)

STANDARD FINISH: MTP GRAY

OPTIONAL FINISH: ZINC YELLOW(ADD Y AT END OF PART #)

MAY BE ORDERED TO ANY LENGTH BY USING LAST 3 DIGITS OF PART NUMBER AS REQUIRED LENGTH (INCHES)

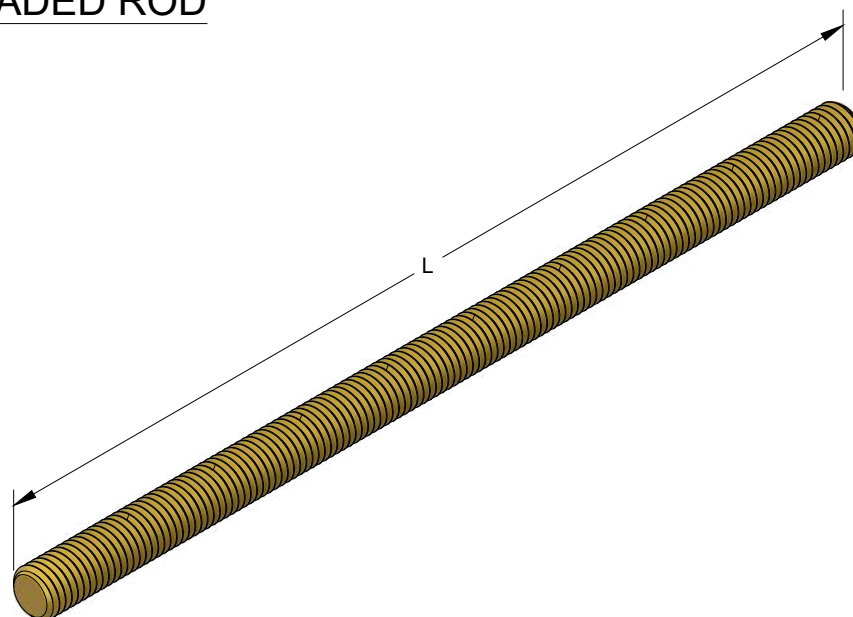
L	PART #
24"	SFA-2E-024
32"	SFA-2E-032
36"	SFA-2E-036
48"	SFA-2E-048
60"	SFA-2E-060
72"	SFA-2E-072
96"	SFA-2E-096
120"	SFA-2E-120

(02/01/24)



Moreng Telecom Products
973-237-2001
www.morengtel.com

5/8 THREADED ROD



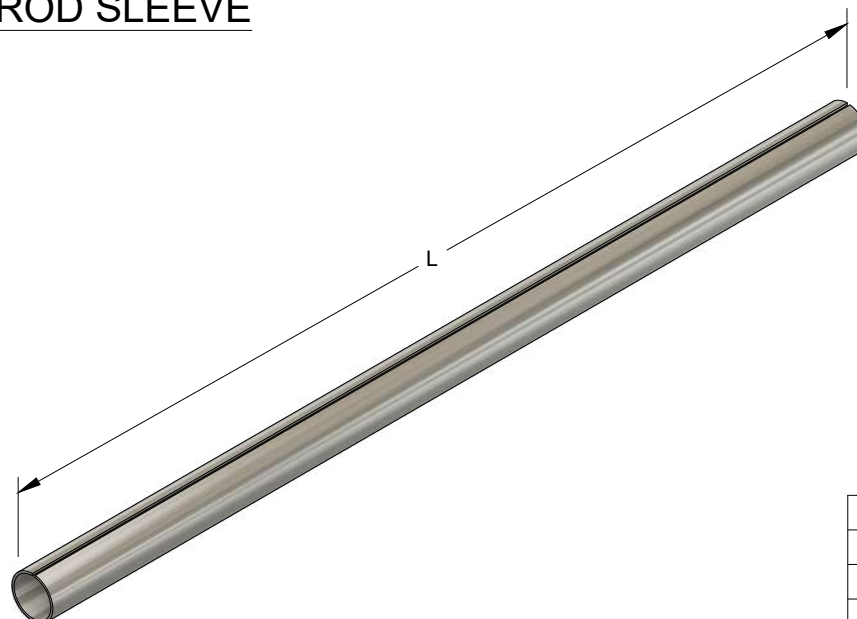
MAX L = 144"

L	PART #
12	SHR-5-012
18	SHR-5-018
24	SHR-5-024
36	SHR-5-036
48	SHR-5-048
60	SHR-5-060
72	SHR-5-072
96	SHR-5-096
120	SHR-5-120
144	SHR-5-144
xxx	SHR-5-xxx

MATERIAL: 5/8-11 THREADED ROD B-7

FINISH: ZINC & YELLOW PLATED (ROHS COMPLIANT)

5/8 SPLIT ROD SLEEVE



MAX L = 120"

L	PART #
12	SHRP-5-012
18	SHRP-5-018
24	SHRP-5-024
36	SHRP-5-036
48	SHRP-5-048
60	SHRP-5-060
72	SHRP-5-072
96	SHRP-5-096
120	SHRP-5-120
xxx	SHRP-5-xxx

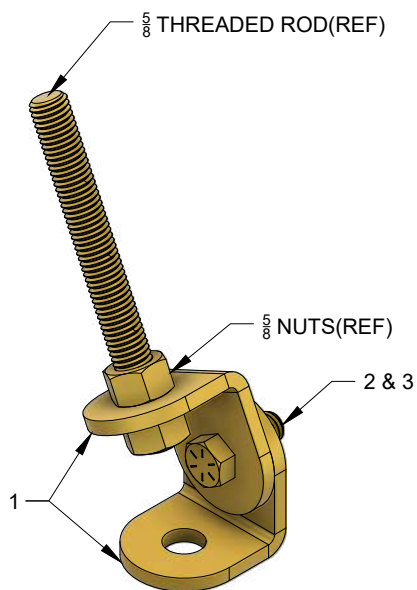
MATERIAL: POLYETHYLENE

(04/12/23)



Moreng Telecom Products
973-237-2001
www.morengtel.com

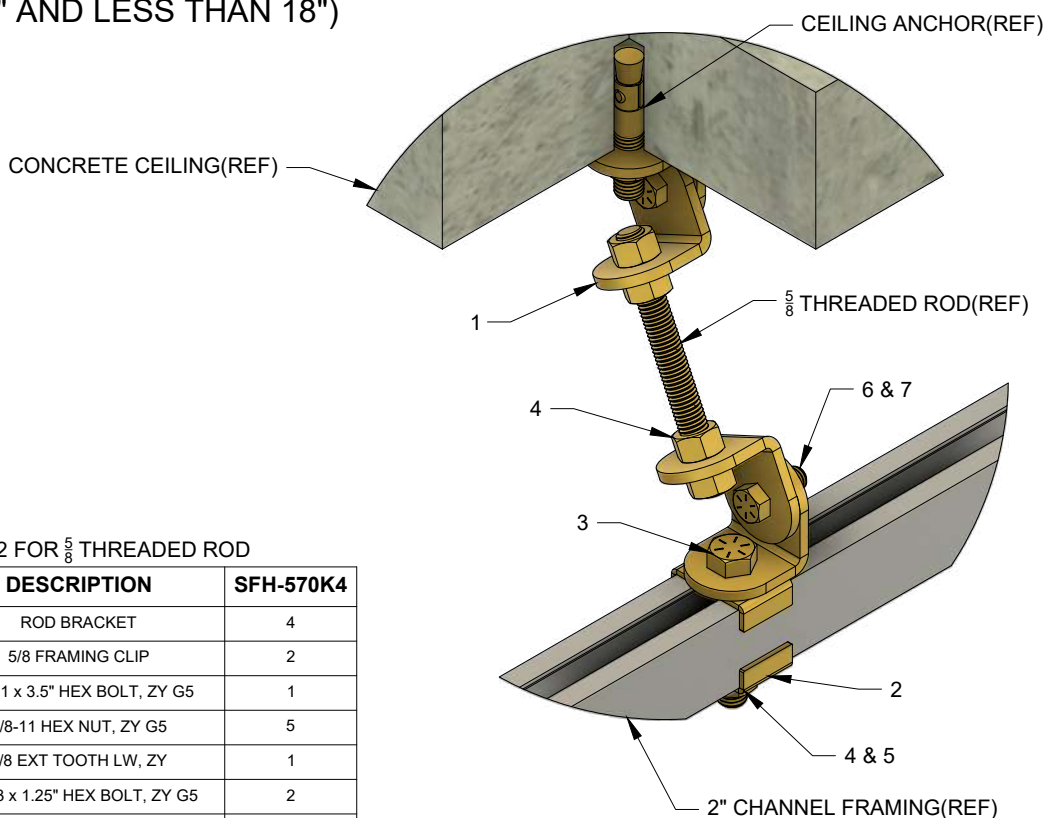
ROD BRACE BRACKET KIT



SEE SHR-5-XXX FOR 5/8 THREADED ROD

ITEM	DESCRIPTION	SFH-570K2
1	ROD BRACKET	2
2	1/2-13 x 1.25" HEX BOLT, ZY G5	1
3	1/2-13 HEX NUT, ZY G5	1

BRACING OF: 2" CHANNEL FRAMING TO CEILING (OVER 5" AND LESS THAN 18")



SEE PAGE 3-02 FOR 5/8 THREADED ROD

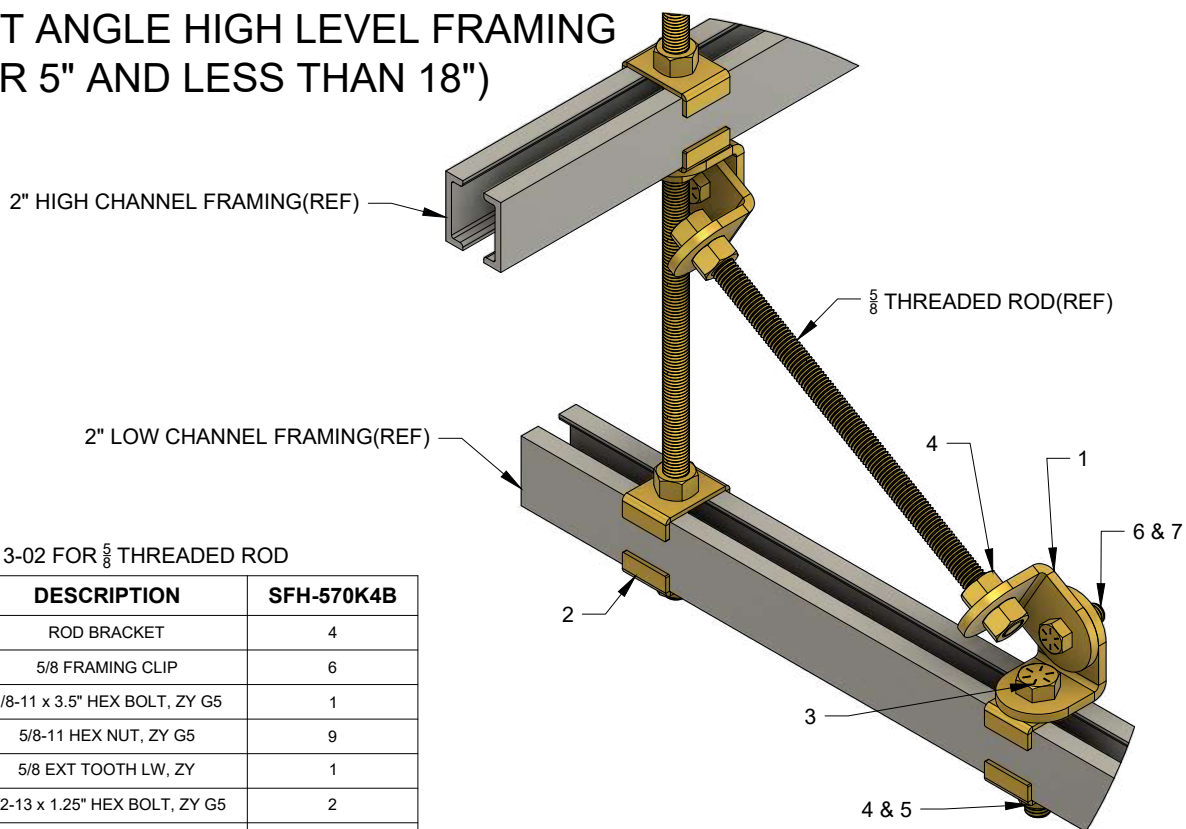
ITEM	DESCRIPTION	SFH-570K4
1	ROD BRACKET	4
2	5/8 FRAMING CLIP	2
3	5/8-11 x 3.5" HEX BOLT, ZY G5	1
4	5/8-11 HEX NUT, ZY G5	5
5	5/8 EXT TOOTH LW, ZY	1
6	1/2-13 x 1.25" HEX BOLT, ZY G5	2
7	1/2-13 HEX NUT, ZY G5	2

(04/12/23)



Moreng Telecom Products
973-237-2001
www.morengtel.com

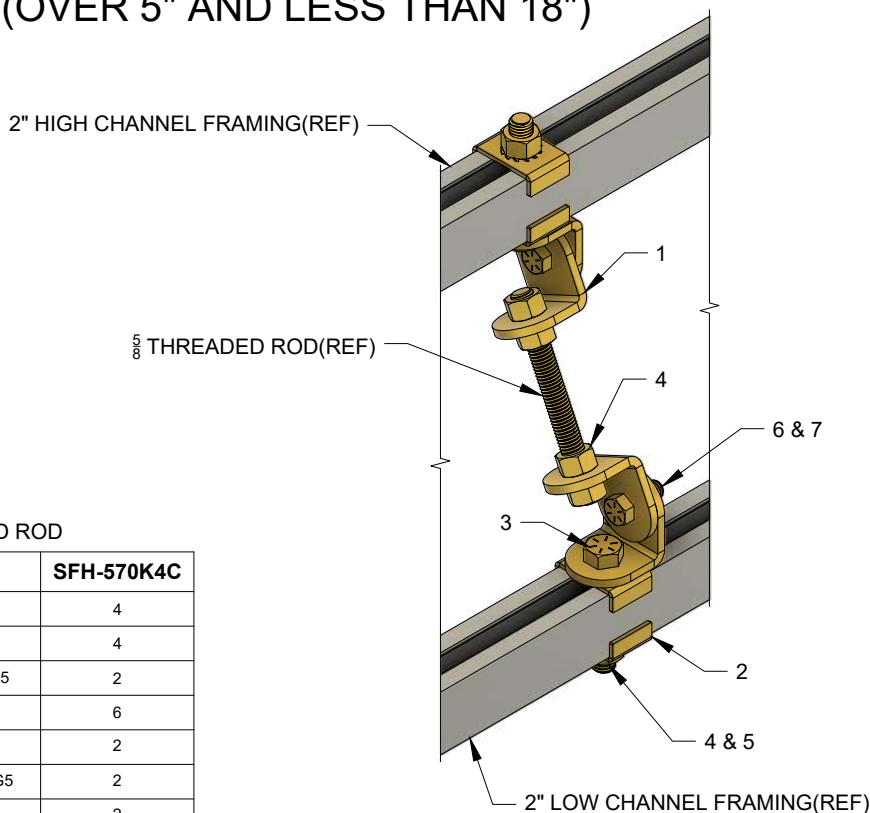
BRACING OF LOW LEVEL FRAMING TO RIGHT ANGLE HIGH LEVEL FRAMING (OVER 5" AND LESS THAN 18")



SEE PAGE 3-02 FOR $\frac{5}{8}$ THREADED ROD

ITEM	DESCRIPTION	SFH-570K4B
1	ROD BRACKET	4
2	5/8 FRAMING CLIP	6
3	5/8-11 x 3.5" HEX BOLT, ZY G5	1
4	5/8-11 HEX NUT, ZY G5	9
5	5/8 EXT TOOTH LW, ZY	1
6	1/2-13 x 1.25" HEX BOLT, ZY G5	2
7	1/2-13 HEX NUT, ZY G5	2

BRACING OF LOW LEVEL FRAMING TO PARALLEL HIGH LEVEL FRAMING (OVER 5" AND LESS THAN 18")



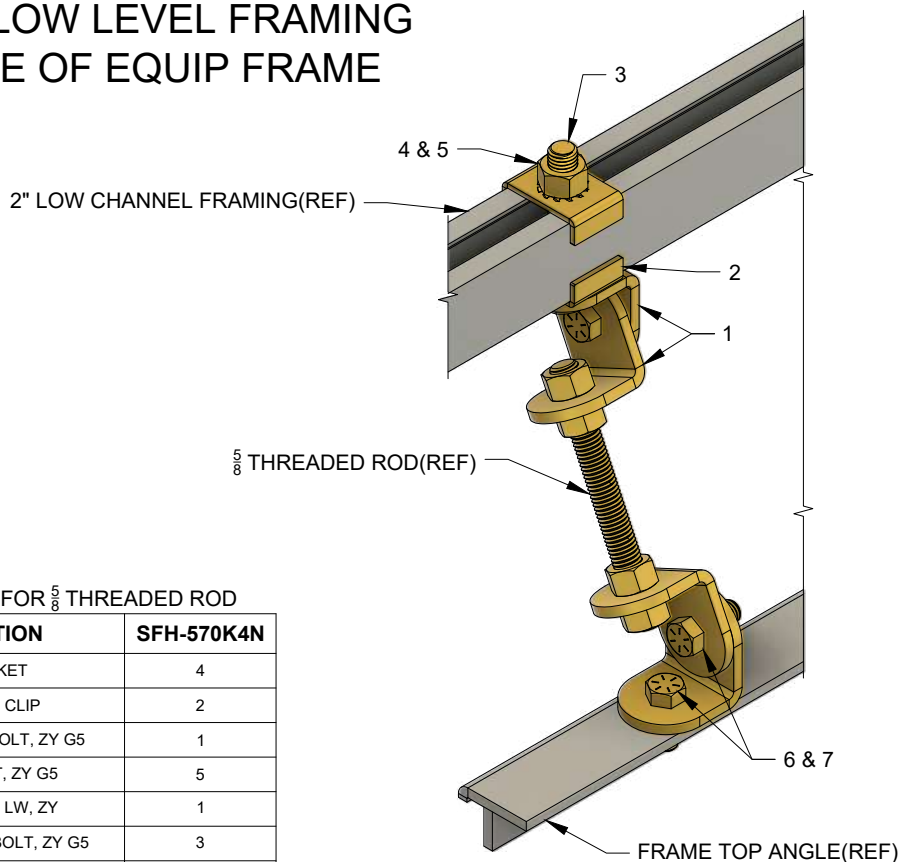
SEE SHR-5-XXX FOR $\frac{5}{8}$ THREADED ROD

ITEM	DESCRIPTION	SFH-570K4C
1	ROD BRACKET	4
2	5/8 FRAMING CLIP	4
3	5/8-11 x 3.5" HEX BOLT, ZY G5	2
4	5/8-11 HEX NUT, ZY G5	6
5	5/8 EXT TOOTH LW, ZY	2
6	1/2-13 x 1.25" HEX BOLT, ZY G5	2
7	1/2-13 HEX NUT, ZY G5	2

(04/12/23)



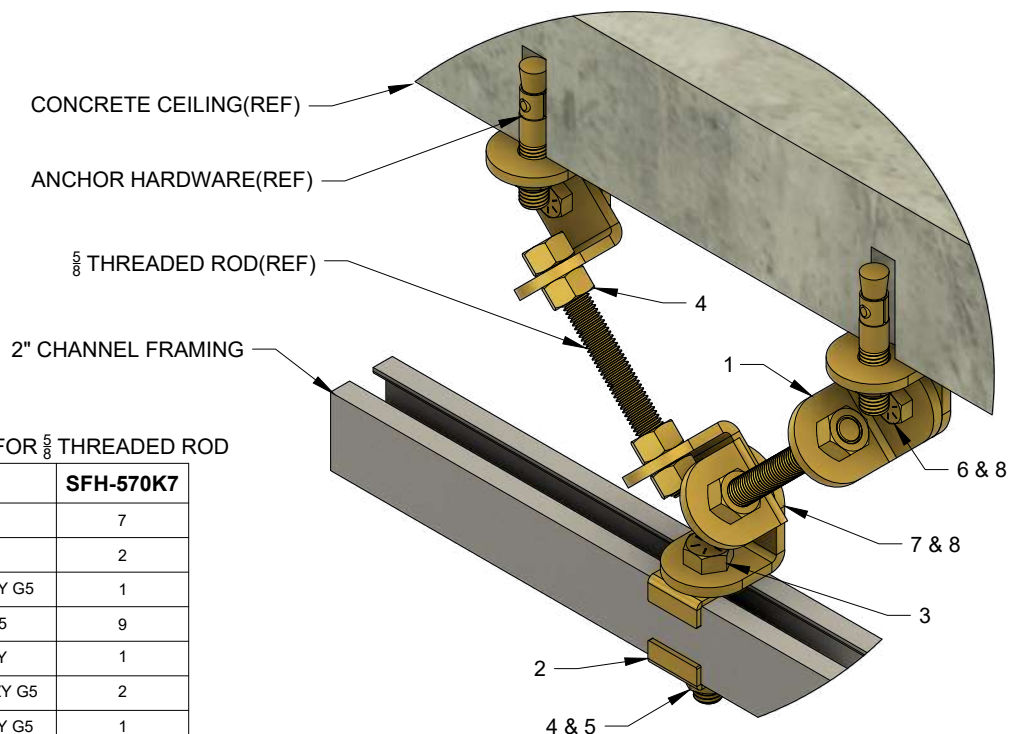
BRACING OF LOW LEVEL FRAMING TO TOP ANGLE OF EQUIP FRAME



SEE PAGE 3-02 SHR-5-XXX FOR 5/8" THREADED ROD

ITEM	DESCRIPTION	SFH-570K4N
1	ROD BRACKET	4
2	5/8 FRAMING CLIP	2
3	5/8-11 x 3.5" HEX BOLT, ZY G5	1
4	5/8-11 HEX NUT, ZY G5	5
5	5/8 EXT TOOTH LW, ZY	1
6	1/2-13 x 1.25" HEX BOLT, ZY G5	3
7	1/2-13 HEX NUT, ZY G5	3

BRACING OF CHANNEL FRAMING TO CEILING ANCHOR (DOUBLE) (OVER 5" AND LESS THAN 18")



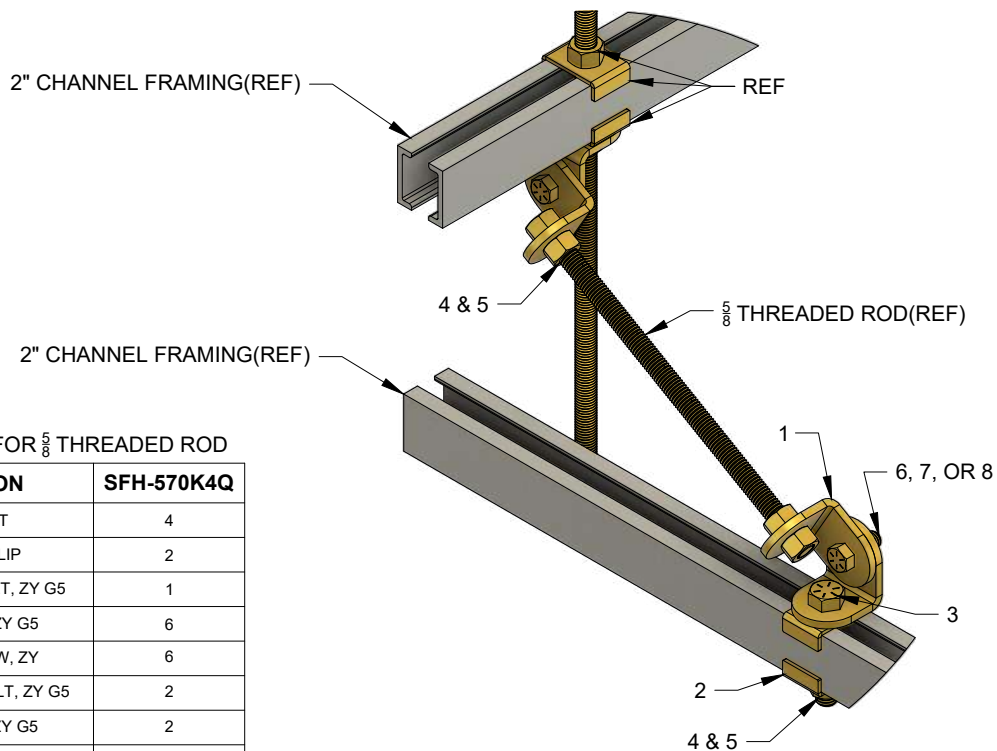
SEE PAGE 3-02 SHR-5-XXX FOR 5/8" THREADED ROD

ITEM	DESCRIPTION	SFH-570K7
1	ROD BRACKET	7
2	5/8 FRAMING CLIP	2
3	5/8-11 x 3.5" HEX BOLT, ZY G5	1
4	5/8-11 HEX NUT, ZY G5	9
5	5/8 EXT TOOTH LW, ZY	1
6	1/2-13 x 1.25" HEX BOLT, ZY G5	2
7	1/2-13 x 1.5" HEX BOLT, ZY G5	1
8	1/2-13 HEX NUT, ZY G5	3

(04/12/23)



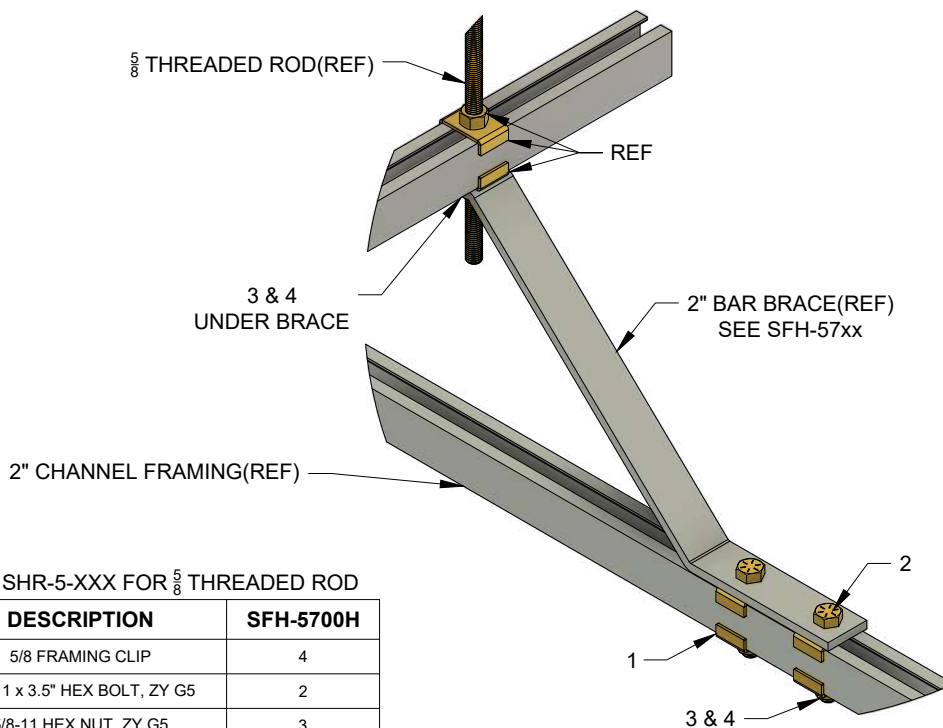
AUX FRAMING BRACING, LOWER AUX FRAMING FROM UPPER AUX FRAMING (SHOWN)(OVER 5" TO 10")



SEE PAGE 3-02 SHR-5-XXX FOR 5/8 THREADED ROD

ITEM	DESCRIPTION	SFH-570K4Q
1	ROD BRACKET	4
2	5/8 FRAMING CLIP	2
3	5/8-11 x 3.5" HEX BOLT, ZY G5	1
4	5/8-11 HEX NUT, ZY G5	6
5	5/8 EXT TOOTH LW, ZY	6
6	1/2-13 x 1.25" HEX BOLT, ZY G5	2
7	1/2-13 HEX NUT, ZY G5	2
8	1/2 EXT TOOTH LW, ZY	2

AUX FRAMING BRACING, LOWER AUX FRAMING FROM UPPER AUX FRAMING (SHOWN)(OVER 10" TO 18")



SEE PAGE 3-02 SHR-5-XXX FOR 5/8 THREADED ROD

ITEM	DESCRIPTION	SFH-5700H
1	5/8 FRAMING CLIP	4
2	5/8-11 x 3.5" HEX BOLT, ZY G5	2
3	5/8-11 HEX NUT, ZY G5	3
4	5/8 EXT TOOTH LW, ZY	3

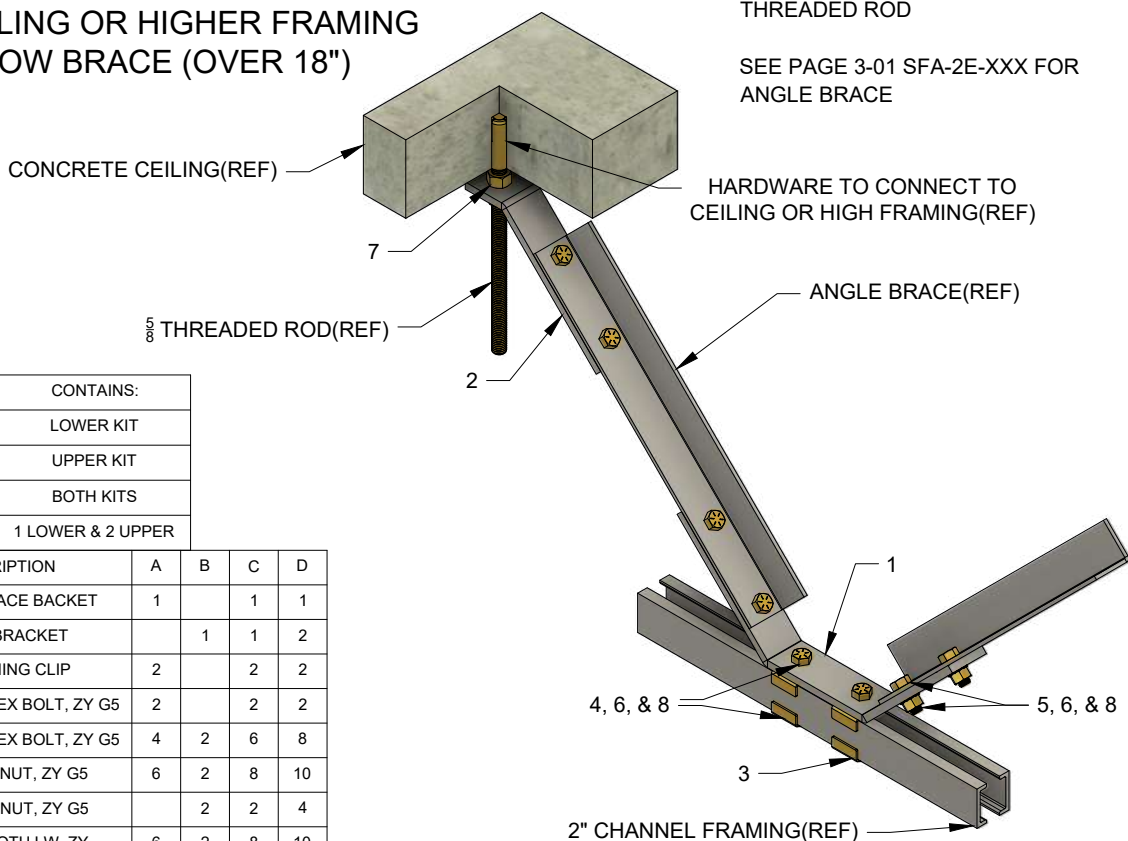
(04/12/23)



**BRACING OF 2" CHANNEL FRAMING FROM CEILING OR HIGHER FRAMING
DOUBLE LOW BRACE (OVER 18")**

SEE PAGE 3-02 SHR-5-XXX FOR $\frac{5}{8}$ THREADED ROD

SEE PAGE 3-01 SFA-2E-XXX FOR ANGLE BRACE



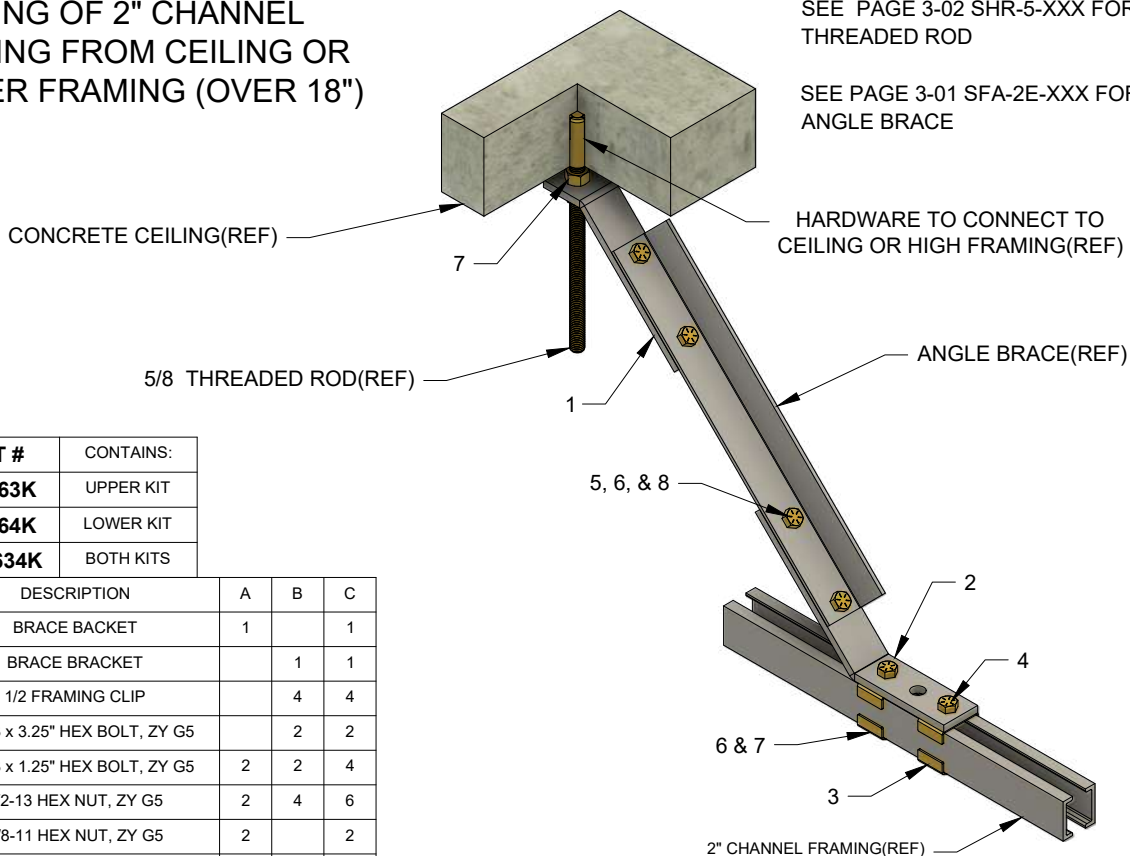
	PART #	CONTAINS:
A	SFH-562K	LOWER KIT
B	SFH-563K	UPPER KIT
C	SFH-5623K	BOTH KITS
D	SFH-5623K2	1 LOWER & 2 UPPER

ITEM	DESCRIPTION	A	B	C	D
1	DOUBLE BRACE BACKET	1		1	1
2	BRACE BRACKET		1	1	2
3	1/2 FRAMING CLIP	2		2	2
4	1/2-13 x 3.25" HEX BOLT, ZY G5	2		2	2
5	1/2-13 x 1.25" HEX BOLT, ZY G5	4	2	6	8
6	1/2-13 HEX NUT, ZY G5	6	2	8	10
7	5/8-11 HEX NUT, ZY G5		2	2	4
8	1/2 EXT TOOTH LW, ZY	6	2	8	10

BRACING OF 2" CHANNEL FRAMING FROM CEILING OR HIGHER FRAMING (OVER 18")

SEE PAGE 3-02 SHR-5-XXX FOR $\frac{5}{8}$ THREADED ROD

SEE PAGE 3-01 SFA-2E-XXX FOR ANGLE BRACE



	PART #	CONTAINS:
A	SFH-563K	UPPER KIT
B	SFH-564K	LOWER KIT
C	SFH-5634K	BOTH KITS

ITEM	DESCRIPTION	A	B	C
1	BRACE BACKET	1		1
2	BRACE BRACKET		1	1
3	1/2 FRAMING CLIP		4	4
4	1/2-13 x 3.25" HEX BOLT, ZY G5		2	2
5	1/2-13 x 1.25" HEX BOLT, ZY G5	2	2	4
6	1/2-13 HEX NUT, ZY G5	2	4	6
7	5/8-11 HEX NUT, ZY G5	2		2
8	1/2 EXT TOOTH LW, ZY	2	4	6

(04/12/23)

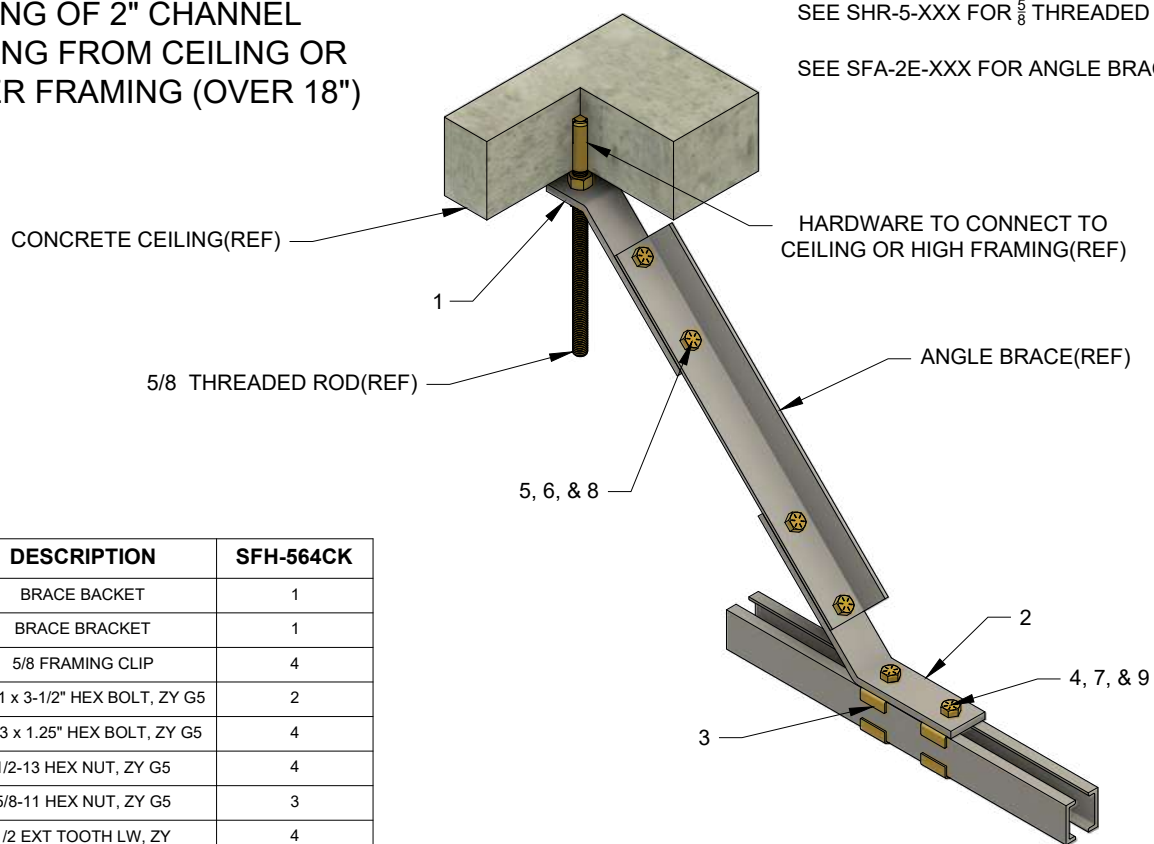


Moreng Telecom Products
973-237-2001
www.morengtel.com

BRACING OF 2" CHANNEL FRAMING FROM CEILING OR HIGHER FRAMING (OVER 18")

SEE SHR-5-XXX FOR $\frac{5}{8}$ THREADED ROD

SEE SFA-2E-XXX FOR ANGLE BRACE



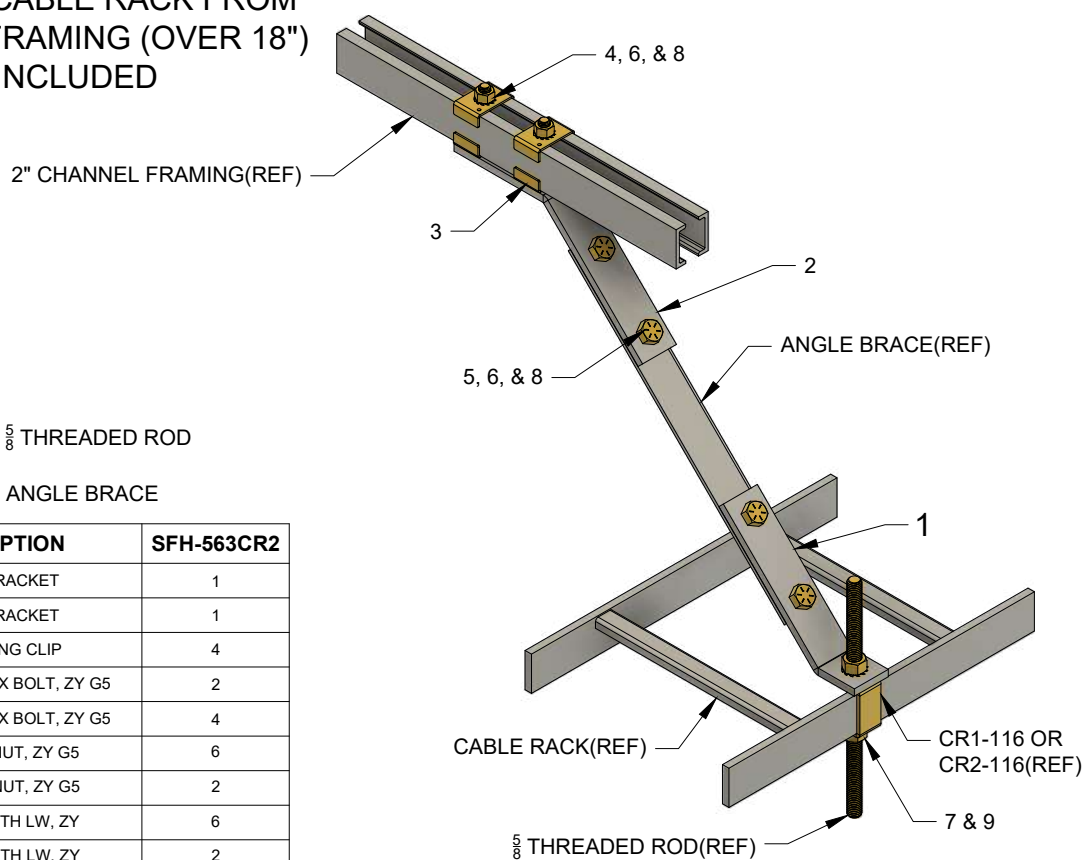
ITEM	DESCRIPTION	SFH-564CK
1	BRACE BACKET	1
2	BRACE BRACKET	1
3	5/8 FRAMING CLIP	4
4	5/8-11 x 3-1/2" HEX BOLT, ZY G5	2
5	1/2-13 x 1.25" HEX BOLT, ZY G5	4
6	1/2-13 HEX NUT, ZY G5	4
7	5/8-11 HEX NUT, ZY G5	3
8	1/2 EXT TOOTH LW, ZY	4
9	5/8 EXT TOOTH LW, ZY	3

(04/12/23)



Moreng Telecom Products
973-237-2001
www.morengtel.com

BRACING OF CABLE RACK FROM 2" CHANNEL FRAMING (OVER 18")
"C" CLIP NOT INCLUDED

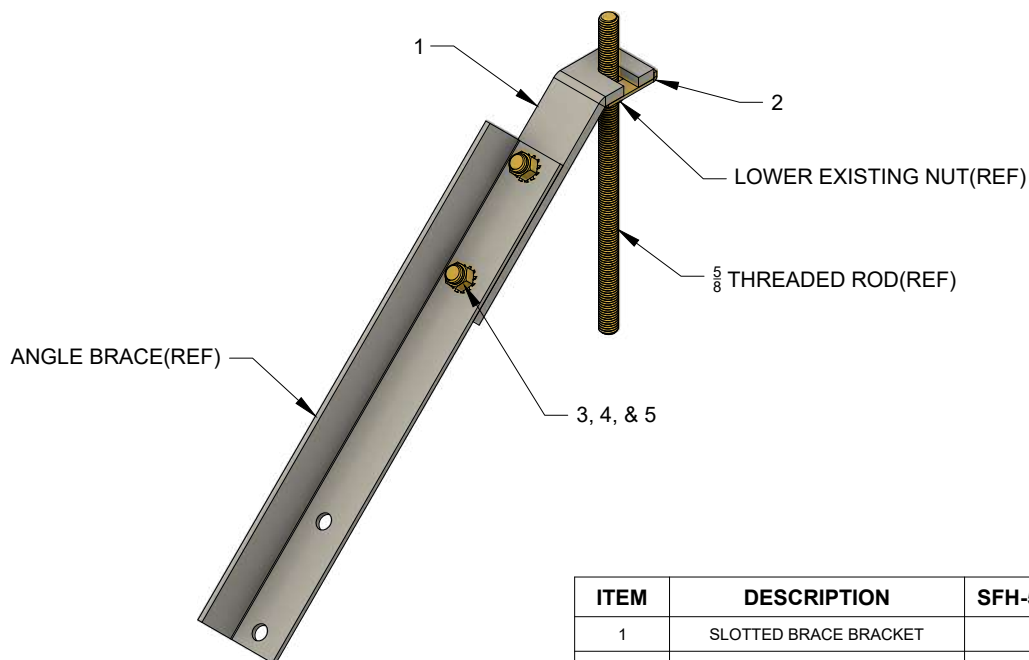


SEE PAGE 3-02 FOR $\frac{5}{8}$ THREADED ROD

SEE PAGE 3-01 FOR ANGLE BRACE

ITEM	DESCRIPTION	SFH-563CR2
1	BRACE BRACKET	1
2	BRACE BRACKET	1
3	1/2 FRAMING CLIP	4
4	1/2-13 x 3.25" HEX BOLT, ZY G5	2
5	1/2-13 x 1.25" HEX BOLT, ZY G5	4
6	1/2-13 HEX NUT, ZY G5	6
7	5/8-11 HEX NUT, ZY G5	2
8	1/2 EXT TOOTH LW, ZY	6
9	5/8 EXT TOOTH LW, ZY	2

BRACING OF CABLE RACK OR 2" CHANNEL TO EXISTING THREADED ROD



SEE PAGE 3-02 FOR $\frac{5}{8}$ THREADED ROD

SEE PAGE 3-01 FOR ANGLE BRACE

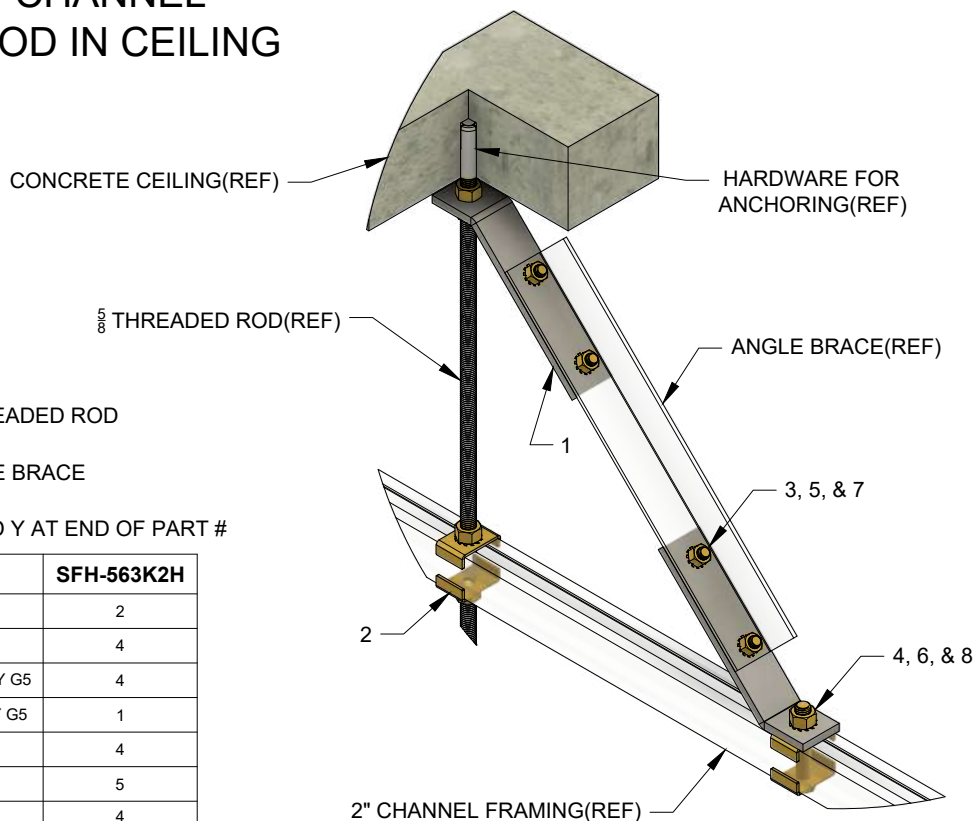
ITEM	DESCRIPTION	SFH-563MK
1	SLOTTED BRACE BRACKET	1
2	SLOTTED CLIP	1
3	1/2-13 x 1.25" HEX BOLT, ZY G5	2
4	1/2-13 HEX NUT, ZY G5	2
5	EXT TOOTH LW, ZY	2

(04/12/23)



Moreng Telecom Products
 973-237-2001
 www.morengtel.com

BRACING OF 2" CHANNEL FRAMING TO ROD IN CEILING



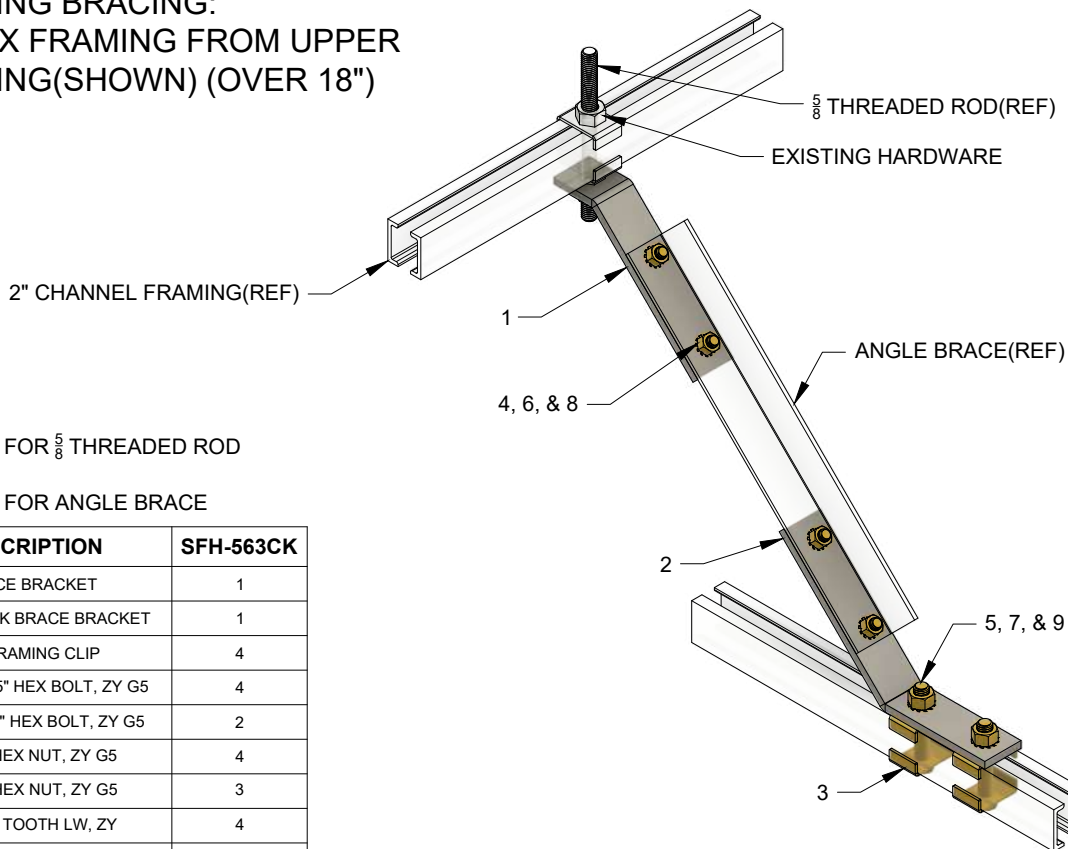
SEE PAGE 3-02 FOR $\frac{5}{8}$ THREADED ROD

SEE PAGE 3-01 FOR ANGLE BRACE

FOR ZINC YELLOW KIT ADD Y AT END OF PART #

ITEM	DESCRIPTION	SFH-563K2H
1	BRACE BRACKET	2
2	5/8 FRAMING CLIP	4
3	1/2-13 x 1.25" HEX BOLT, ZY G5	4
4	5/8-11 x 3.5" HEX BOLT, ZY G5	1
5	1/2-13 HEX NUT, ZY G5	4
6	5/8-11 HEX NUT, ZY G5	5
7	1/2 EXT TOOTH LW, ZY	4
8	5/8 EXT TOOTH LW, ZY	3

AUX FRAMING BRACING: LOWER AUX FRAMING FROM UPPER AUX FRAMING(SHOWN) (OVER 18")



SEE PAGE 3-02 FOR $\frac{5}{8}$ THREADED ROD

SEE PAGE 3-01 FOR ANGLE BRACE

ITEM	DESCRIPTION	SFH-563CK
1	BRACE BRACKET	1
2	CABLE RACK BRACE BRACKET	1
3	5/8 FRAMING CLIP	4
4	1/2-13 x 1.25" HEX BOLT, ZY G5	4
5	5/8-11 x 3.5" HEX BOLT, ZY G5	2
6	1/2-13 HEX NUT, ZY G5	4
7	5/8-11 HEX NUT, ZY G5	3
8	1/2 EXT TOOTH LW, ZY	4
9	5/8 EXT TOOTH LW, ZY	3

(02/08/24)

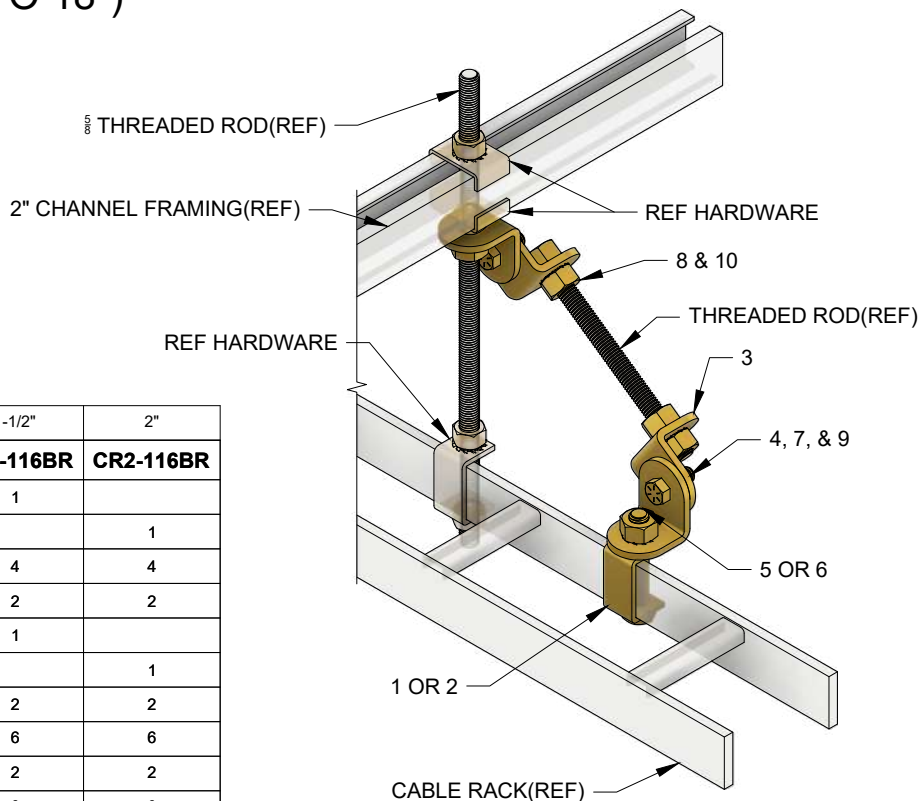


Moreng Telecom Products
973-237-2001
www.morengtel.com

BRACING FROM AUX FRAMING TO CABLE RACK(5" TO 18")

SEE PAGE 1-05 FOR $\frac{5}{8}$ THREADED ROD

		CABLE RACK SIDE BAR	
		1-1/2"	2"
ITEM	DESCRIPTION	CR1-116BR	CR2-116BR
1	1.5" C-CLIP	1	
2	2" C-CLIP		1
3	ROD BRACKET	4	4
4	1/2-13 x 1.25" HEX BOLT, ZY G5	2	2
5	5/8-11 x 3" HEX BOLT, ZY G5	1	
6	5/8-11 x 3.5" HEX BOLT, ZY G5		1
7	1/2-13 HEX NUT, ZY G5	2	2
8	5/8-11 HEX NUT, ZY G5	6	6
9	1/2 EXT TOOTH LW, ZY	2	2
10	5/8 EXT TOOTH LW, ZY	6	6

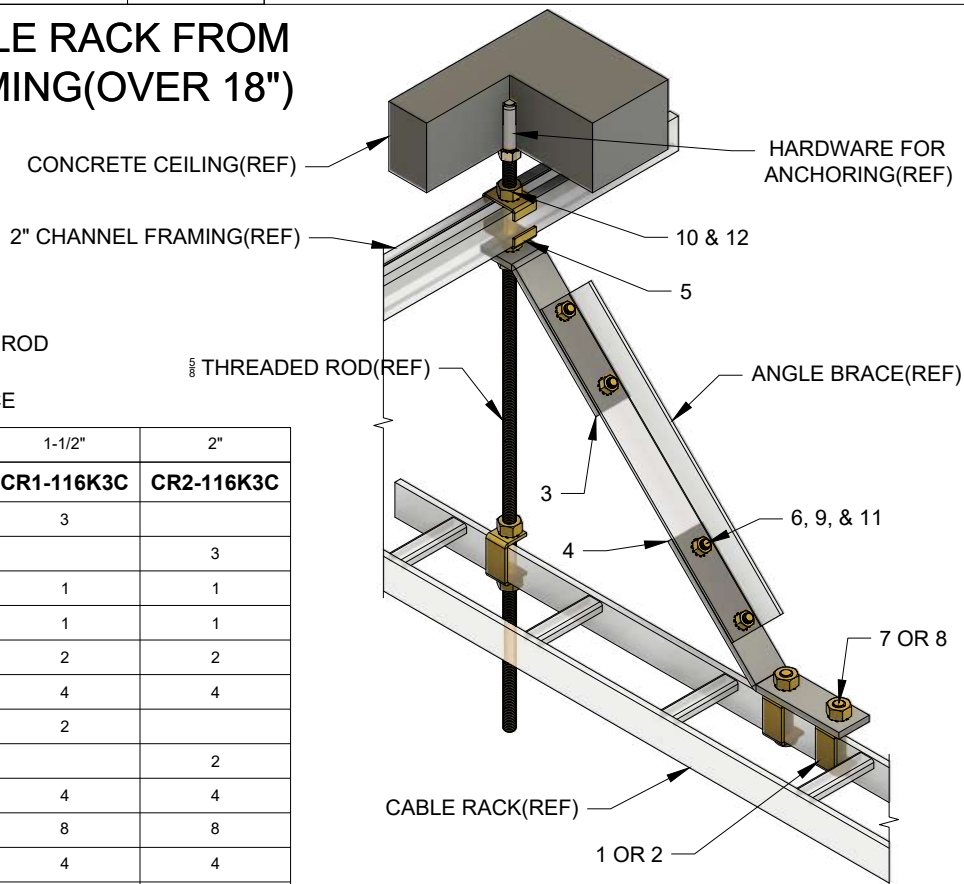


BRACING OF CABLE RACK FROM 2" CHANNEL FRAMING(OVER 18")

SEE PAGE 3-02 FOR $\frac{5}{8}$ THREADED ROD

SEE PAGE 3-01 FOR ANGLE BRACE

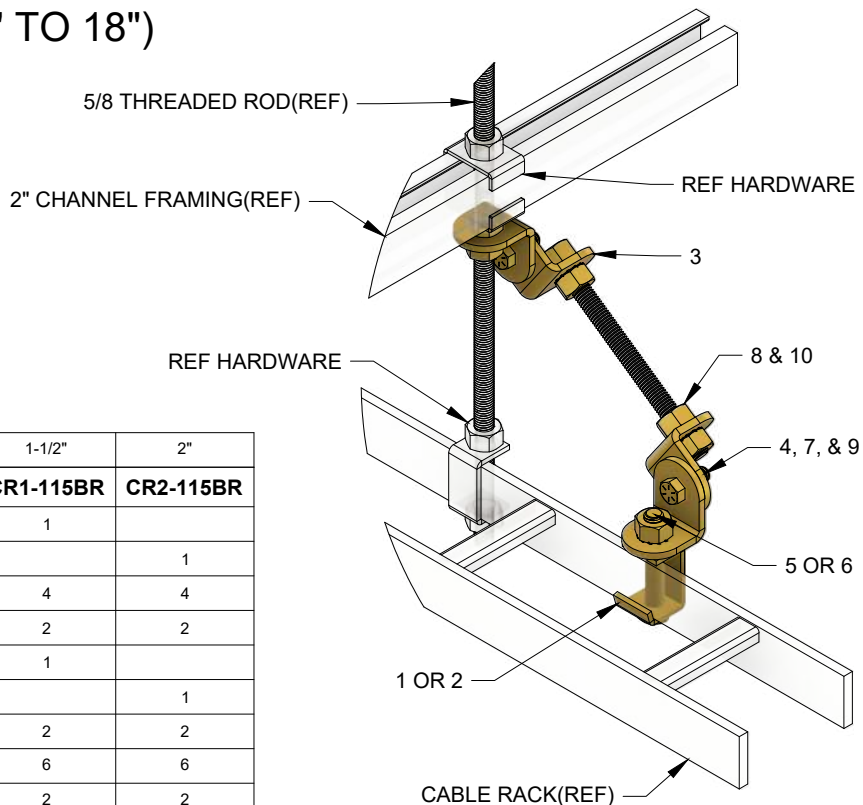
		CABLE RACK SIDE BAR	
		1-1/2"	2"
ITEM	DESCRIPTION	CR1-116K3C	CR2-116K3C
1	1.5" C-CLIP	3	
2	2" C-CLIP		3
3	BRACE BRACKET	1	1
4	CABLE RACK BRACE BRACKET	1	1
5	5/8 FRAMING CLIP	2	2
6	1/2-13 x 1.25" HEX BOLT, ZY G5	4	4
7	5/8-11 x 3" HEX BOLT, ZY G5	2	
8	5/8-11 x 3.5" HEX BOLT, ZY G5		2
9	1/2-13 HEX NUT, ZY G5	4	4
10	5/8-11 HEX NUT, ZY G5	8	8
11	1/2 EXT TOOTH LW, ZY	4	4
12	5/8 EXT TOOTH LW, ZY	8	8



(02/08/24)

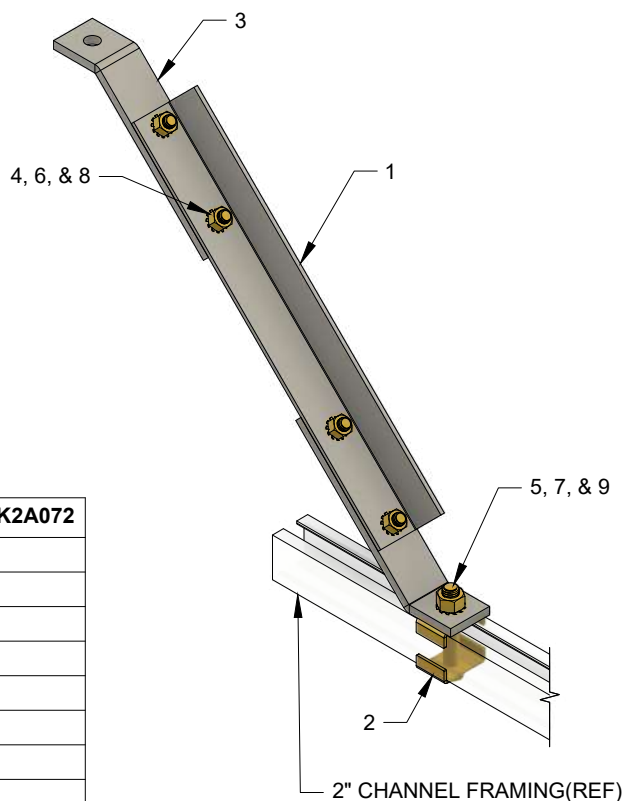


BRACING FROM AUX FRAMING TO CABLE RACK (5" TO 18")



		CABLE RACK SIDE BAR	
		1-1/2"	2"
ITEM	DESCRIPTION	CR1-115BR	CR2-115BR
1	1.5" G-CLIP	1	
2	2" G-CLIP		1
3	ROD BRACKET	4	4
4	1/2-13 x 1.25" HEX BOLT, ZY G5	2	2
5	5/8-11 x 3" HEX BOLT, ZY G5	1	
6	5/8-11 x 3.5" HEX BOLT, ZY G5		1
7	1/2-13 HEX NUT, ZY G5	2	2
8	5/8-11 HEX NUT, ZY G5	6	6
9	1/2 EXT TOOTH LW, ZY	2	2
10	5/8 EXT TOOTH LW, ZY	6	6

BRACING FOR AUX FRAMING WITH OR WITHOUT 6' ANGLE



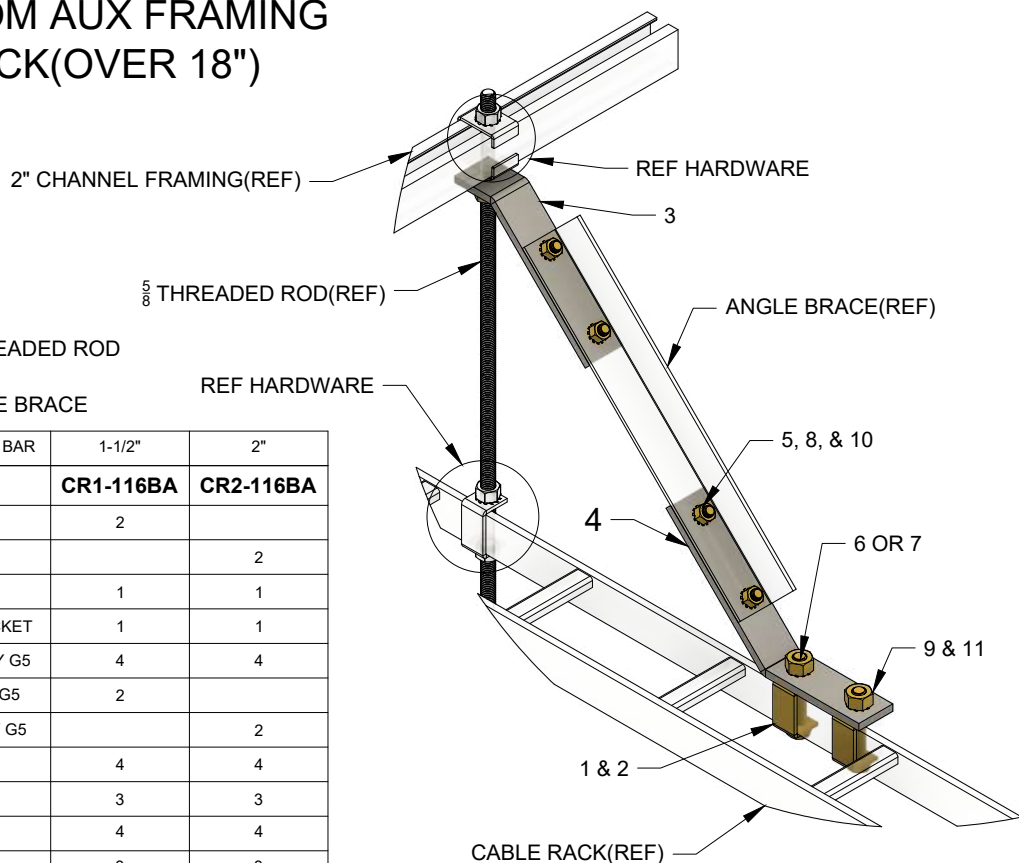
ITEM	DESCRIPTION	SFH-563K2	SFH-563K2A072
1	2" x 72" AUX ANGLE FRAMING		1
2	5/8" x 2" CHANNEL CLIP	2	2
3	BRACE BRACKET	2	2
4	1/2-13 x 1-1/4" HEX BOLT, ZY G5	4	4
5	5/8-11 x 3-1/4" HEX BOLT, ZY G5	1	1
6	1/2-13 HEX NUT, ZY G5	4	4
7	5/8-11 HEX NUT, ZY G5	1	1
8	1/2 EXT TOOTH LW, ZY	4	4
9	5/8 EXT TOOTH LW, ZY	1	1

(02/08/24)



Moreng Telecom Products
973-237-2001
www.morengtel.com

BRACING FROM AUX FRAMING TO CABLE RACK(OVER 18")

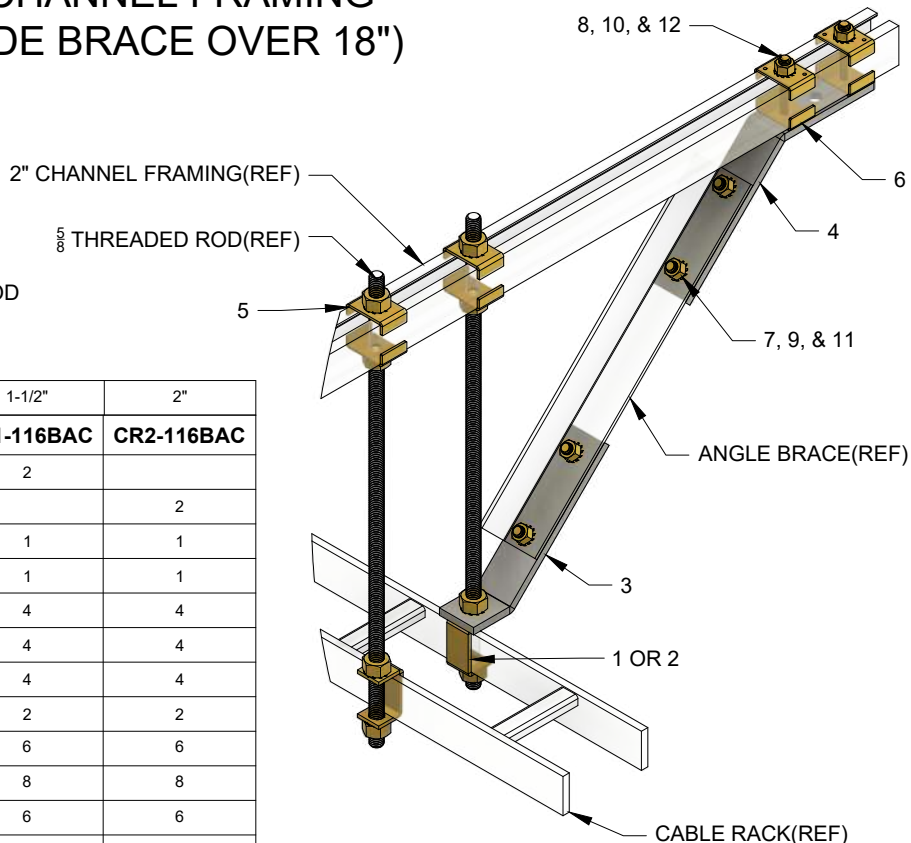


SEE PAGE 1-05 FOR $\frac{5}{8}$ THREADED ROD

SEE PAGE 1-52 FOR ANGLE BRACE

ITEM	DESCRIPTION	CABLE RACK SIDE BAR	
		1-1/2"	2"
1	1.5" C-CLIP	2	
2	2" C-CLIP		2
3	BRACE BRACKET	1	1
4	CABLE RACK BRACE BRACKET	1	1
5	1/2-13 x 1.25" HEX BOLT, ZY G5	4	4
6	5/8-11 x 3" HEX BOLT, ZY G5	2	
7	5/8-11 x 3.5" HEX BOLT, ZY G5		2
8	1/2-13 HEX NUT, ZY G5	4	4
9	5/8-11 HEX NUT, ZY G5	3	3
10	1/2 EXT TOOTH LW, ZY	4	4
11	5/8 EXT TOOTH LW, ZY	3	3

BRACING FROM 2" CHANNEL FRAMING TO CABLE RACK(SIDE BRACE OVER 18")



SEE PAGE 3-02 FOR $\frac{5}{8}$ THREADED ROD

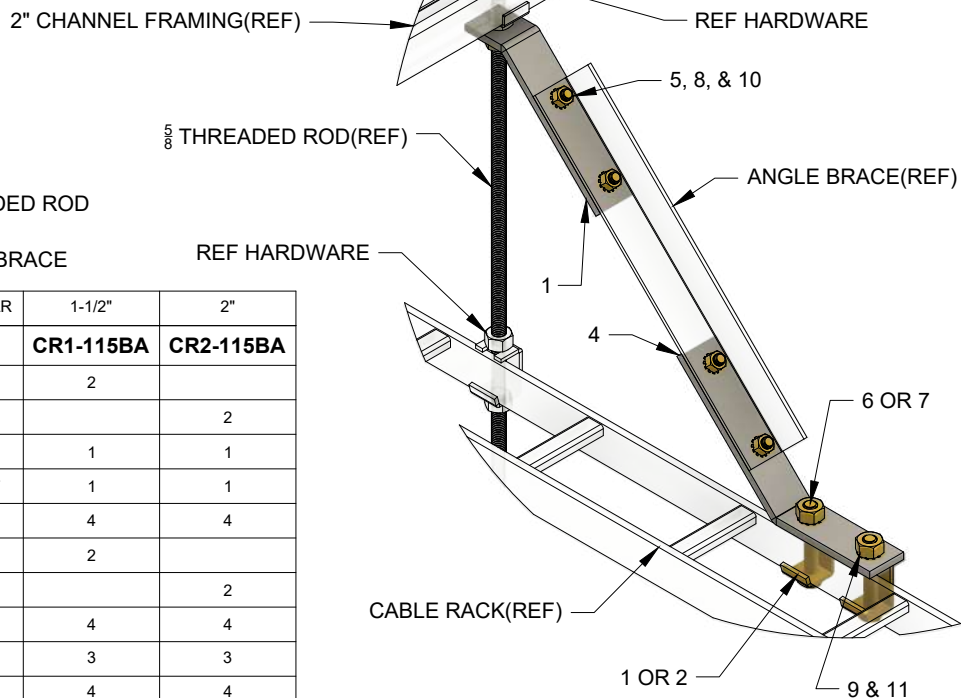
SEE PAGE 3-01 FOR ANGLE BRACE

ITEM	DESCRIPTION	CABLE RACK SIDE BAR	
		1-1/2"	2"
1	1.5" C-CLIP	2	
2	2" C-CLIP		2
3	BRACE BRACKET	1	1
4	BRACE BRACKET	1	1
5	5/8 FRAMING CLIP	4	4
6	1/2 FRAMING CLIP	4	4
7	1/2-13 x 1.25" HEX BOLT, ZY G5	4	4
8	1/2-13 x 3.25" HEX BOLT, ZY G5	2	2
9	1/2-13 HEX NUT, ZY G5	6	6
10	5/8-11 HEX NUT, ZY G5	8	8
11	1/2 EXT TOOTH LW, ZY	6	6
12	5/8 EXT TOOTH LW, ZY	8	8

(04/12/23)



BRACING FROM AUX FRAMING TO CABLE RACK (OVER 18")

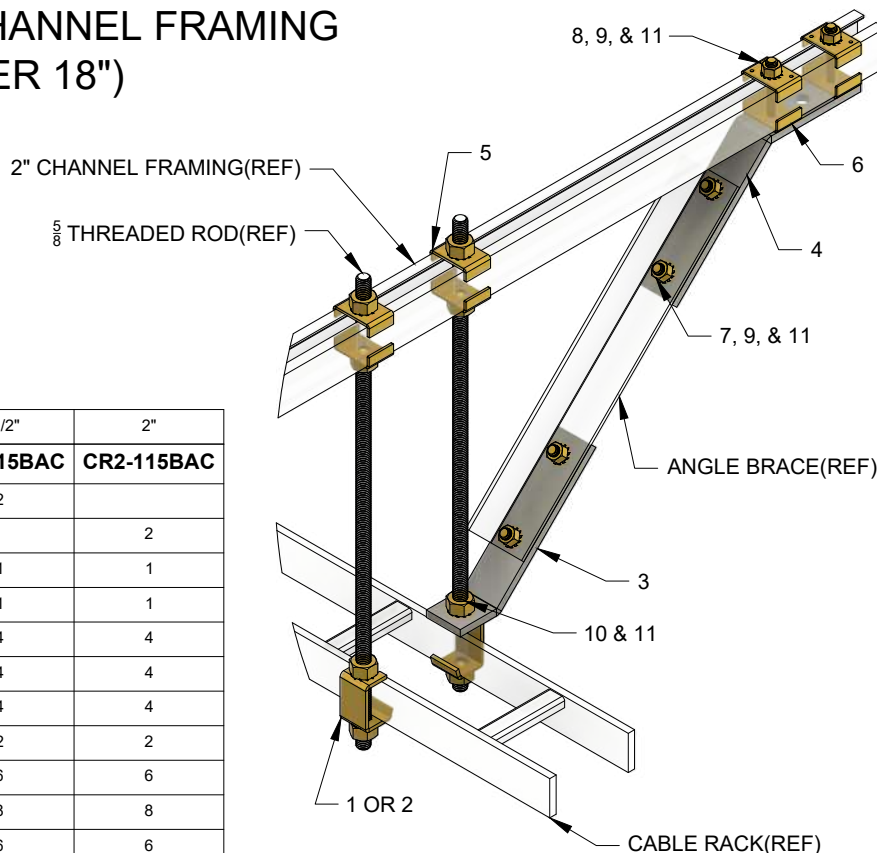


SEE SHR-5-XXX FOR $\frac{5}{8}$ THREADED ROD

SEE SFA-2E-XXX FOR ANGLE BRACE

ITEM	DESCRIPTION	CABLE RACK SIDE BAR	
		1-1/2"	2"
		CR1-115BA	CR2-115BA
1	1.5" G-CLIP	2	
2	2" G-CLIP		2
3	BRACE BRACKET	1	1
4	CABLE RACK BRACE BRACKET	1	1
5	1/2-13 x 1.25" HEX BOLT, ZY G5	4	4
6	5/8-11 x 3" HEX BOLT, ZY G5	2	
7	5/8-11 x 3.5" HEX BOLT, ZY G5		2
8	1/2-13 HEX NUT, ZY G5	4	4
9	5/8-11 HEX NUT, ZY G5	3	3
10	1/2 EXT TOOTH LW, ZY	4	4
11	5/8 EXT TOOTH LW, ZY	3	3

BRACING FROM 2" CHANNEL FRAMING TO CABLE RACK (OVER 18")



SEE SHR-5-XXX FOR $\frac{5}{8}$ THREADED ROD

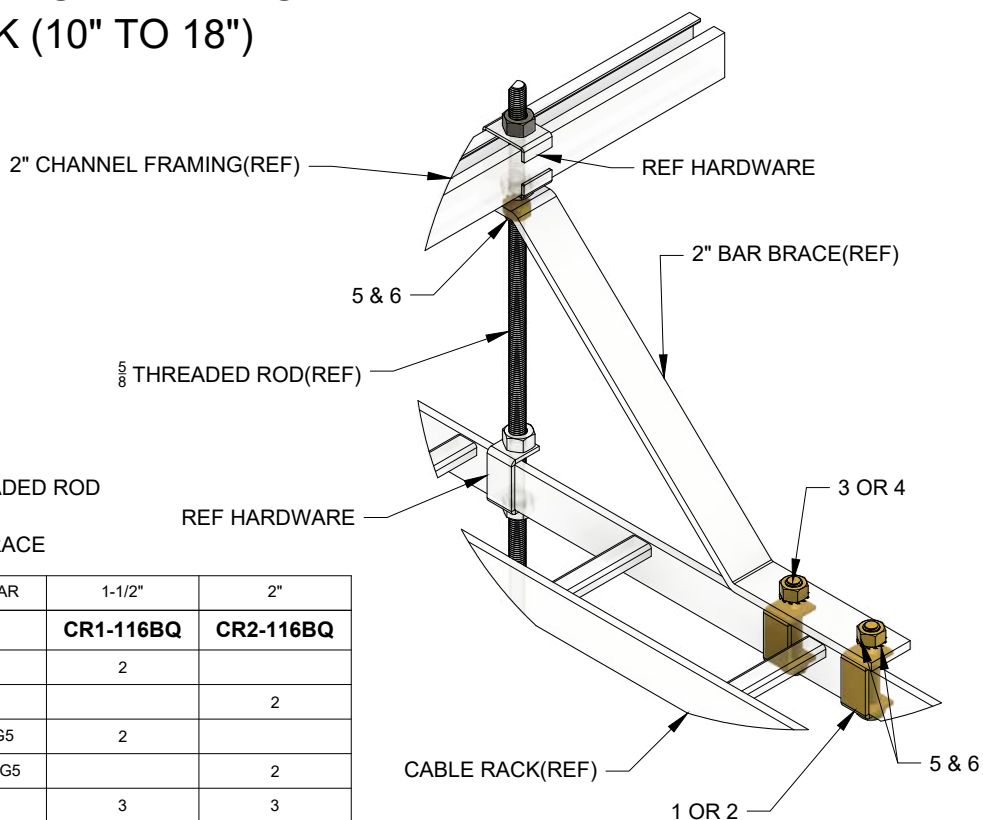
SEE SFA-2E-XXX FOR ANGLE BRACE

ITEM	DESCRIPTION	CABLE RACK SIDE BAR	
		1-1/2"	2"
		CR1-115BAC	CR2-115BAC
1	1.5" G-CLIP	2	
2	2" G-CLIP		2
3	BRACE BRACKET	1	1
4	BRACE BRACKET	1	1
5	5/8 FRAMING CLIP	4	4
6	1/2 FRAMING CLIP	4	4
7	1/2-13 x 1.25" HEX BOLT, ZY G5	4	4
8	1/2-13 x 3.25" HEX BOLT, ZY G5	2	2
9	1/2-13 HEX NUT, ZY G5	6	6
10	5/8-11 HEX NUT, ZY G5	8	8
11	1/2 EXT TOOTH LW, ZY	6	6
12	5/8 EXT TOOTH LW, ZY	8	8

(02/08/24)



BRACING FROM AUX FRAMING TO CABLE RACK (10" TO 18")

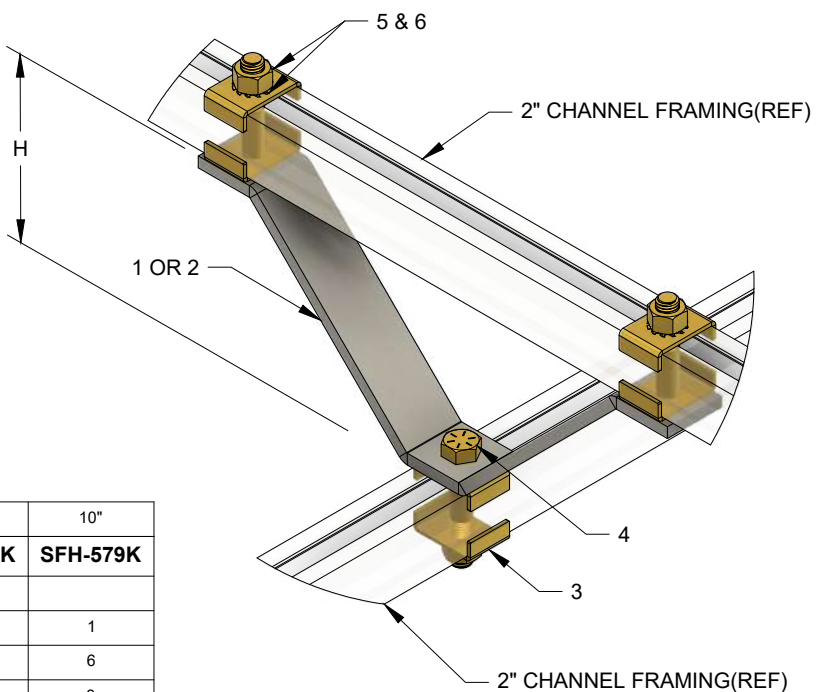


SEE SHR-5-XXX FOR 5/8" THREADED ROD

SEE SFH-57xx FOR 2" BAR BRACE

ITEM	DESCRIPTION	CABLE RACK SIDE BAR	
		1-1/2"	2"
		CR1-116BQ	CR2-116BQ
1	1.5" C-CLIP	2	
2	2" C-CLIP		2
3	5/8-11 x 3" HEX BOLT, ZY G5	2	
4	5/8-11 x 3.5" HEX BOLT, ZY G5		2
5	5/8-11 HEX NUT, ZY G5	3	3
6	5/8 EXT TOOTH LW, ZY	3	3

BRACING OF 2" CHANNEL FRAMING AT 6" OR 10" DOUBLE BRACKET

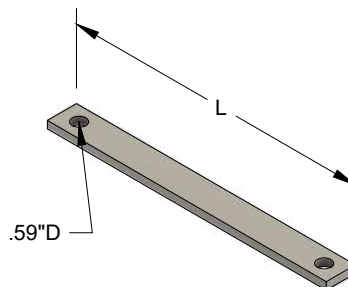
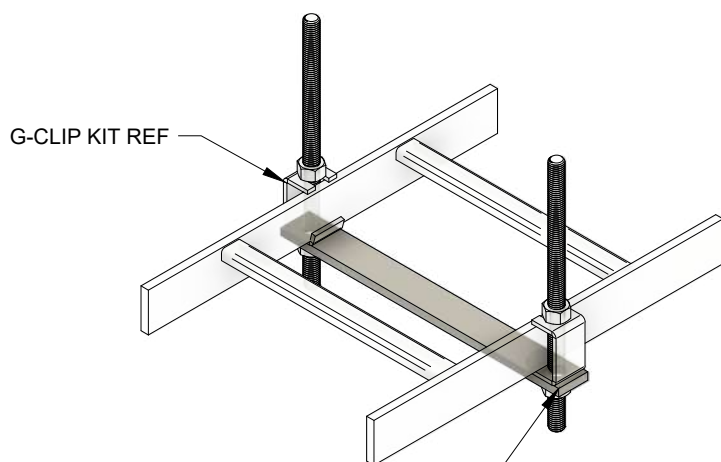


ITEM	DESCRIPTION	H	
		6"	10"
		SFH-575K	SFH-579K
1	6" DOUBLE BAR BRACE	1	
2	10" DOUBLE BAR BRACE		1
3	5/8 FRAMING CLIP	6	6
4	5/8-11 x 3.5" HEX BOLT, ZY G5	3	3
5	5/8-11 HEX NUT, ZY G5	3	3
6	5/8 EXT TOOTH LW, ZY	3	3

(02/09/24)



CABLE RACK BRACE BAR



TIE BAR REQUIRED WHEN G-CLIPS ARE USED ON CABLE RACKS 12 INCHES OR WIDER

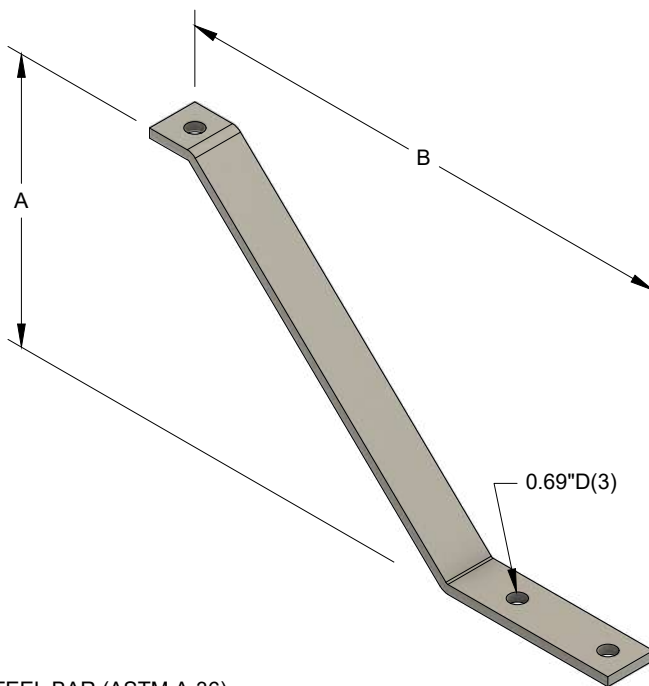
MATERIAL: 3/8 x 1.5" STEELBAR (ASTM A-36)

FINISH: MTP GRAY

ww IS CABLE RACK WIDTH

ww	L	PART #
12	14.38	CRBB-2-012E
15	17.38	CRBB-2-015E
18	20.38	CRBB-2-018E
20	22.38	CRBB-2-020E
25	27.38	CRBB-2-025E
30	32.38	CRBB-2-030E

BRACE BAR



MATERIAL: 3/8 x 2" STEEL BAR (ASTM A-36)

FINISH: MTP GRAY

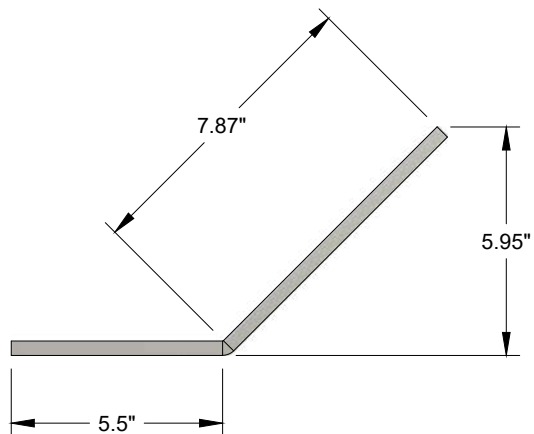
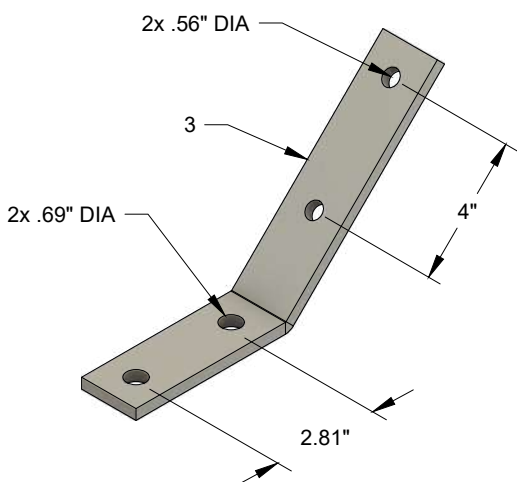
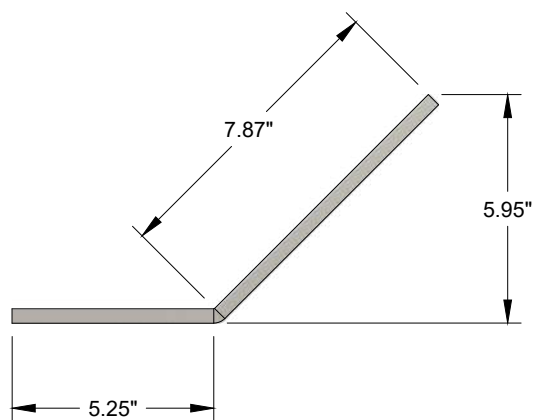
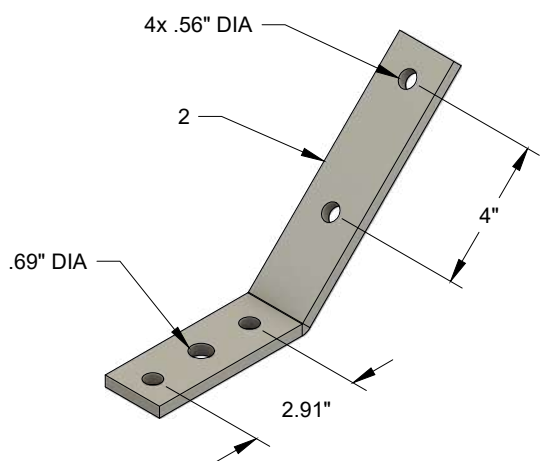
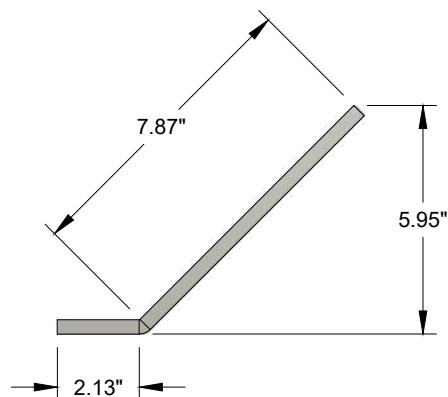
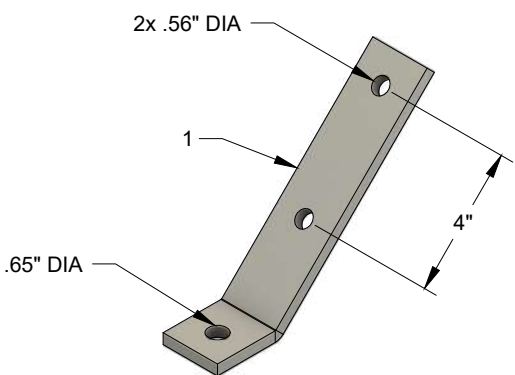
B	A	PART #
18.25	9.25	SFH-5709
20.25	11.25	SFH-5711
22.25	13.25	SFH-5713
24.25	15.25	SFH-5715
26.25	17.25	SFH-5717

(05/30/24)



Moreng Telecom Products
973-237-2001
www.morengtel.com

BRACE BRACKETS



MATERIAL: 3/8 x 2" STEEL BAR (ASTM A-36)

FINISH: MTP GRAY

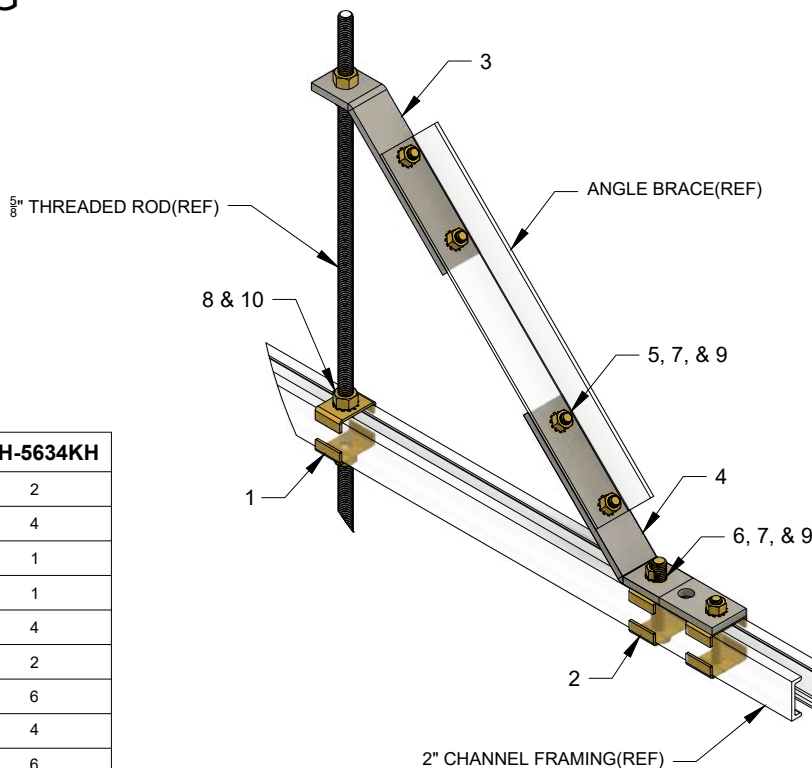
ITEM	PART #
1	SFH-563
2	SFH-564
3	SFH-564C

(04/12/23)



Moreng Telecom Products
973-237-2001
www.morengtel.com

BRACING FROM 5/8" THREADED ROD TO AUX FRAMING

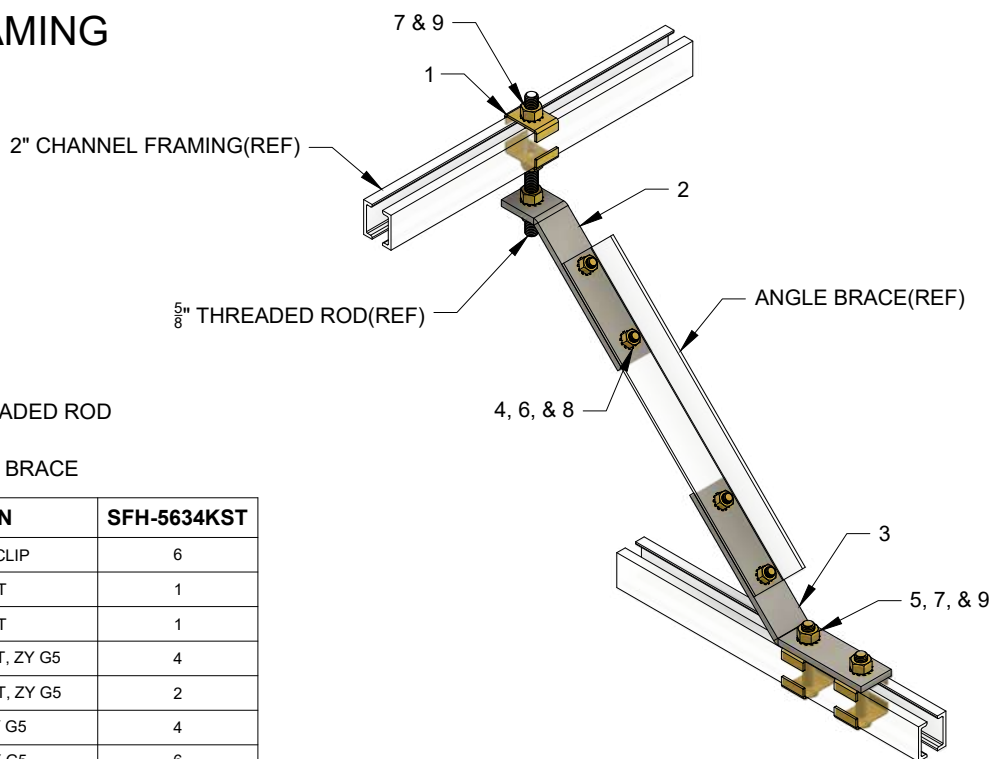


SEE PAGE 3-02 FOR 5/8" THREADED ROD

SEE PAGE 3-01 FOR ANGLE BRACE

ITEM	DESCRIPTION	SFH-5634KH
1	5/8" x 2" CHANNEL CLIP	2
2	1/2" x 2" CHANNEL CLIP	4
3	BRACE BRACKET	1
4	BRACE BRACKET	1
5	1/2-13 x 1-1/4" HEX BOLT, ZY G5	4
6	1/2-13 x 3-1/4" HEX BOLT, ZY G5	2
7	1/2-13 HEX NUT, ZY G5	6
8	5/8-11 HEX NUT, ZY G5	4
9	1/2 EXT TOOTH LW, ZY	6
10	5/8 EXT TOOTH LW, ZY	4

BRACING BETWEEN 2" CHANNEL FRAMING



SEE PAGE 3-02 FOR 5/8" THREADED ROD

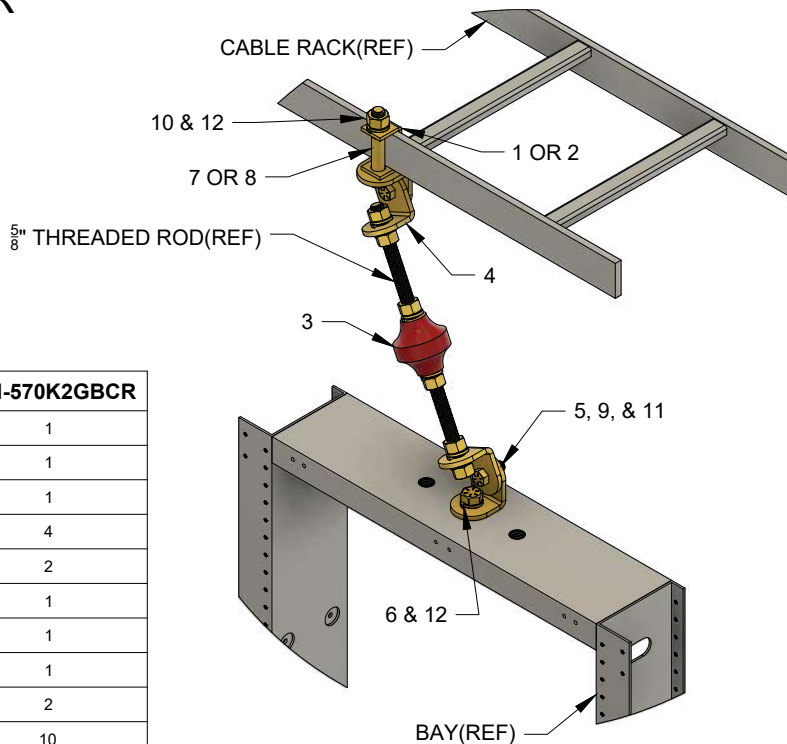
SEE PAGE 3-01 FOR ANGLE BRACE

ITEM	DESCRIPTION	SFH-5634KST
1	5/8" x 2" CHANNEL CLIP	6
2	BRACE BRACKET	1
3	BRACE BRACKET	1
4	1/2-13 x 1-1/4" HEX BOLT, ZY G5	4
5	5/8-11 x 3-1/2" HEX BOLT, ZY G5	2
6	1/2-13 HEX NUT, ZY G5	4
7	5/8-11 HEX NUT, ZY G5	6
8	1/2 EXT TOOTH LW, ZY	4
9	5/8 EXT TOOTH LW, ZY	6

(04/12/23)



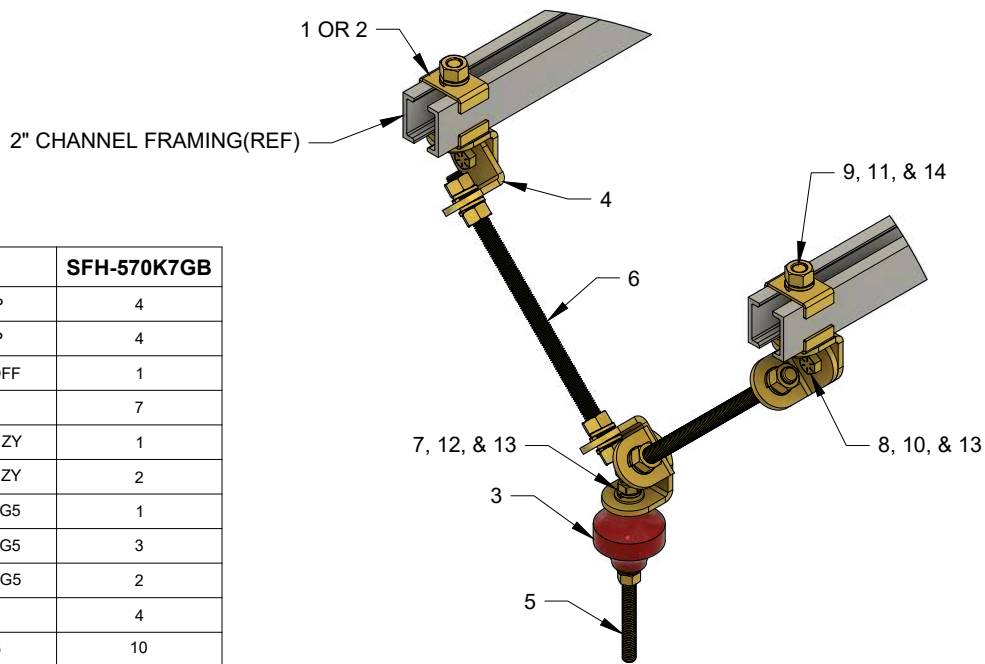
BRACING FROM BAY TO CABLE RACK WITH INSULATOR



SEE PAGE 3-02 FOR 5/8" THREADED ROD

ITEM	DESCRIPTION	SFH-570K2GBCR
1	1-1/2" SIDE C-CLIP	1
2	2" SIDE C-CLIP	1
3	5/8" INSULATOR STANDOFF	1
4	BRACE BRACKET	4
5	1/2-13 x 1-1/4" HEX BOLT, ZY G5	2
6	5/8-11 x 1-1/4" HEX BOLT, ZY G5	1
7	5/8-11 x 3-1/4" HEX BOLT, ZY G5	1
8	5/8-11 x 3-3/4" HEX BOLT, ZY G5	1
9	1/2-13 HEX NUT, ZY G5	2
10	5/8-11 HEX NUT, ZY G5	10
11	1/2 SPRING LW, ZY	2
12	5/8 SPRING LW, ZY	10

BRACING FOR 2" CHANNEL FRAMING WITH INSULATOR

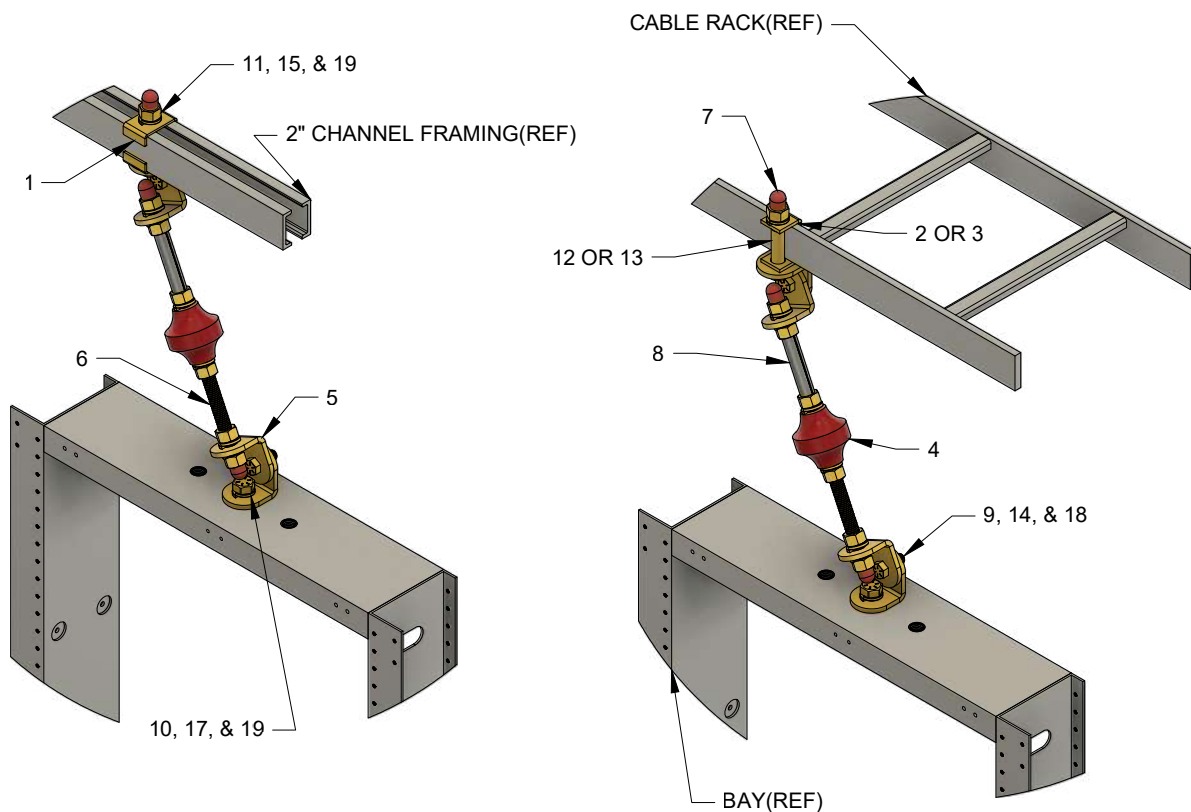


ITEM	DESCRIPTION	SFH-570K7GB
1	5/8" x 2" CHANNEL CLIP	4
2	1/2" x 2" CHANNEL CLIP	4
3	5/8" INSULATOR STANDOFF	1
4	BRACE BRACKET	7
5	1/2-13 x 4" HANGER ROD, ZY	1
6	5/8-11 x 4" HANGER ROD, ZY	2
7	1/2-13 x 1" HEX BOLT, ZY G5	1
8	1/2-13 x 2" HEX BOLT, ZY G5	3
9	5/8-11 x 3" HEX BOLT, ZY G5	2
10	1/2-13 HEX NUT, ZY G5	4
11	5/8-11 HEX NUT, ZY G5	10
12	1/2" FLAT WASHER, ZY	5
13	1/2 SPRING LW, ZY	5
14	5/8 SPRING LW, ZY	10

(04/12/23)



BRACING FROM 2" CHANNEL FRAMING & 1-1/2" OR 2" CABLE RACK TO BAY



ITEM	DESCRIPTION	SFH-570K8GB2
1	5/8" x 2" CHANNEL CLIP	4
2	1-1/2" SIDE C-CLIP	2
3	2" SIDE C-CLIP	2
4	5/8" INSULATOR STANDOFF	2
5	BRACE BRACKET	8
6	5/8-11 x 4' HANGER ROD, ZY	2
7	5/8-11 HANGER ROD RUBBER CAP, ZY	6
8	5/8-11 x 3' HANGER ROD SLEEVE, ZY	2
9	1/2-13 x 1-1/4" HEX BOLT, ZY G5	4
10	5/8-11 x 1-1/2" HEX BOLT, ZY G5	2
11	5/8-11 x 3" HEX BOLT, ZY G5	2
12	5/8-11 x 3-1/4" HEX BOLT, ZY G5	2
13	5/8-11 x 3-1/2" HEX BOLT, ZY G5	2
14	1/2-13 HEX NUT, ZY G5	4
15	5/8-11 HEX NUT, ZY G5	14
16	1/2" FLAT WASHER, ZY	4
17	5/8" FLAT WASHER, ZY	6
18	1/2 SPRING LW, ZY	4
19	5/8 SPRING LW, ZY	6

(3/26/24)

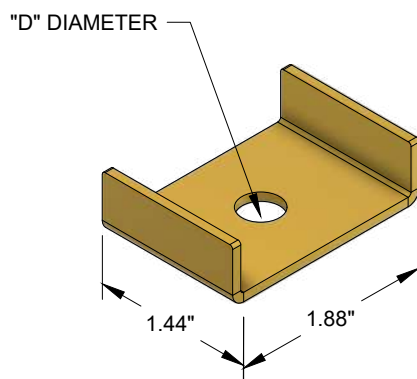


Moreng Telecom Products
 973-237-2001
www.morengtel.com

BASIC HARDWARE



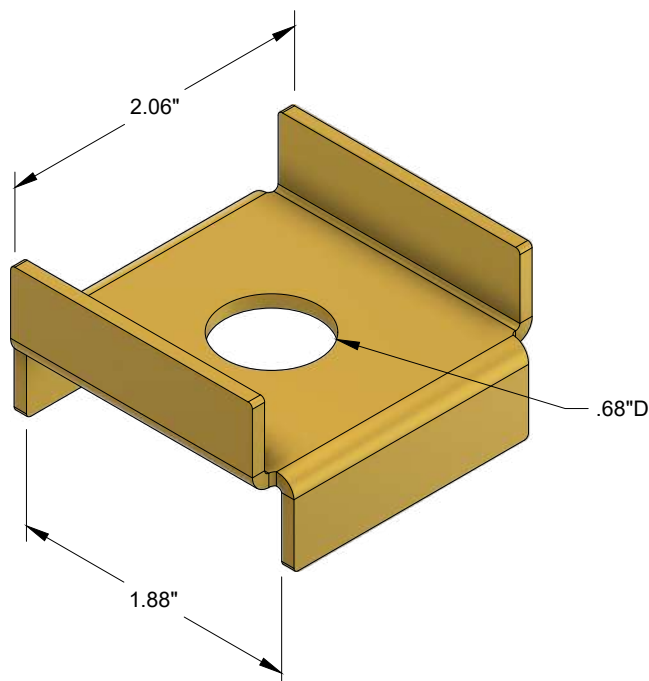
2" CHANNEL FRAMING CLIPS



MATERIAL: CR STEEL
FINISH: ZINC PLATE - YELLOW CHROMATE

"D"	"T"	PART #
0.66	0.12	SFC-2
0.53	0.12	SFC-2A
0.41	0.09	SFC-2D

2" CHANNEL FRAMING CLIPS FOR CROSS-OVER INTERSECTION



MATERIAL: CR STEEL
FINISH: ZINC PLATE - YELLOW CHROMATE

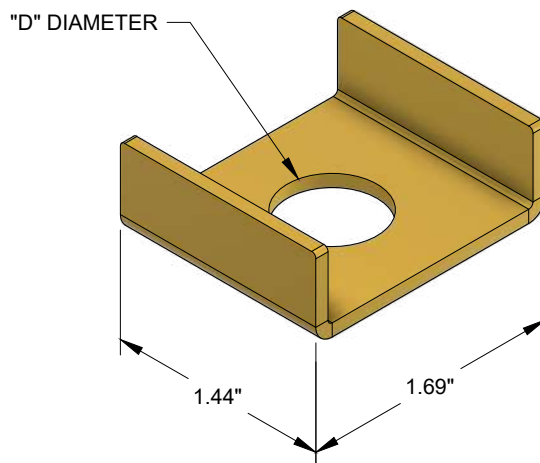
SFC-2B

(04/12/23)



Moreng Telecom Products
973-237-2001
www.morengtel.com

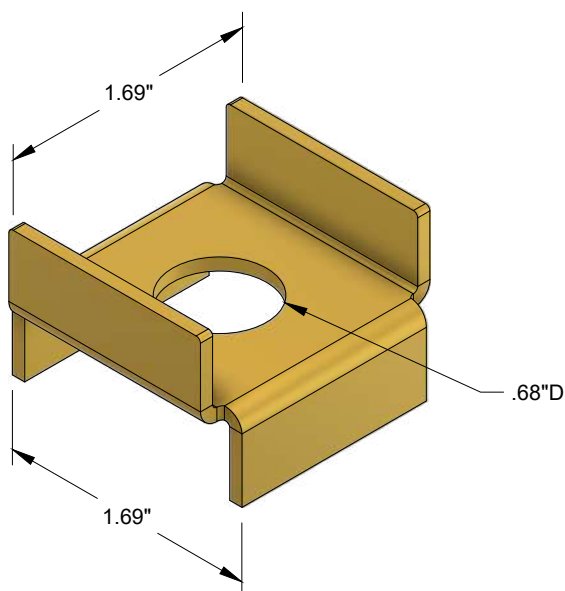
2" BAR FRAMING CLIPS



MATERIAL: CR STEEL
FINISH: ZINC - YELLOW CHROMATE

"D"	PART #
0.66	SFB-1
0.53	SFB-1A

2" BAR FRAMING CLIPS FOR CROSS-OVER INTERSECTION



MATERIAL: CR STEEL
FINISH: ZINC - YELLOW CHROMATE

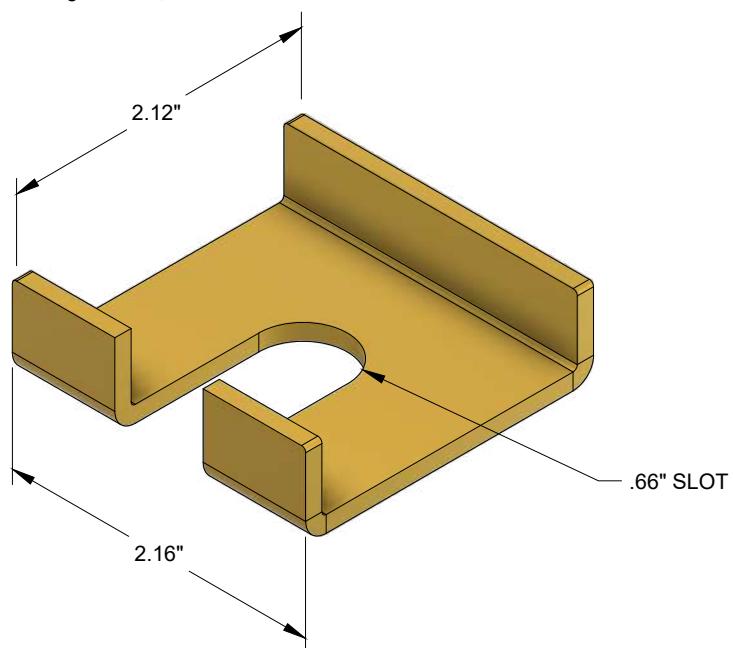
SFB-1B

(04/12/23)



Moreng Telecom Products
973-237-2001
www.morengtel.com

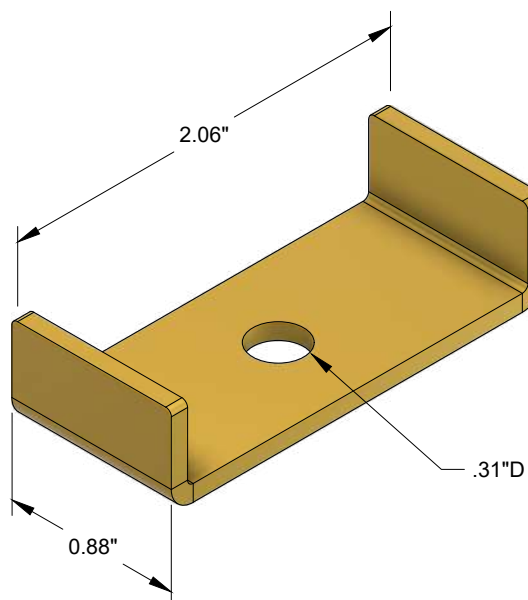
2" CHANNEL FRAMING CLIPS (SLOTTED FOR EXISTING $\frac{5}{8}$ ROD)



MATERIAL: CR STEEL
FINISH: ZINC PLATE - YELLOW CHROMATE

SFC-2M

2" CHANNEL FRAMING CLIPS (FOR 1/4" BOLTS)



MATERIAL: CR STEEL
FINISH: ZINC PLATE - YELLOW CHROMATE

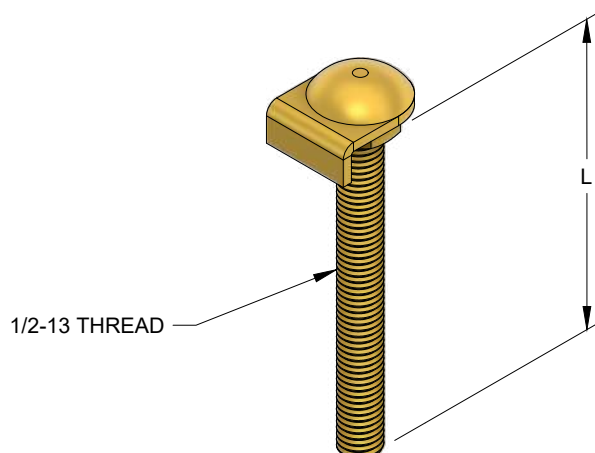
SFH-819

(04/18/23)



Moreng Telecom Products
973-237-2001
www.morengtel.com

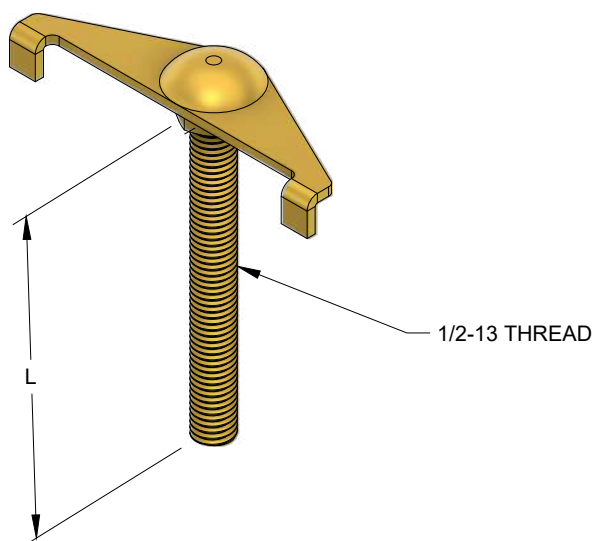
CABLE RACK LOCK BOLTS



"L"	PART #
4.38	SFH-545
4.88	SFH-550
5.38	SFH-555
5.88	SFH-560
6.38	SFH-565

MATERIAL: CR STEEL
FINISH: ZINC PLATE - YELLOW CHROMATE

CABLE RACK SPANNER BOLTS



"L"	PART #
4.38	SFH-546
4.88	SFH-551
5.38	SFH-556
5.88	SFH-561
6.38	SFH-566

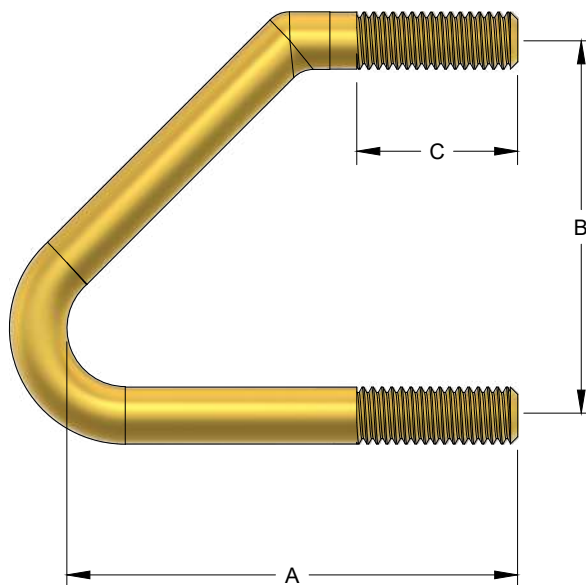
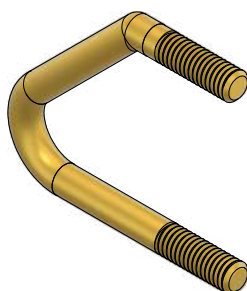
MATERIAL: CR STEEL
FINISH: ZINC PLATE - YELLOW CHROMATE

(04/18/23)



Moreng Telecom Products
973-237-2001
www.morengtel.com

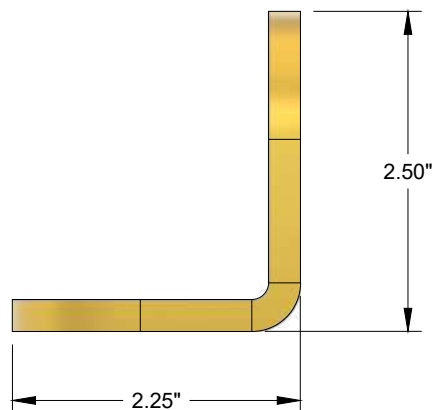
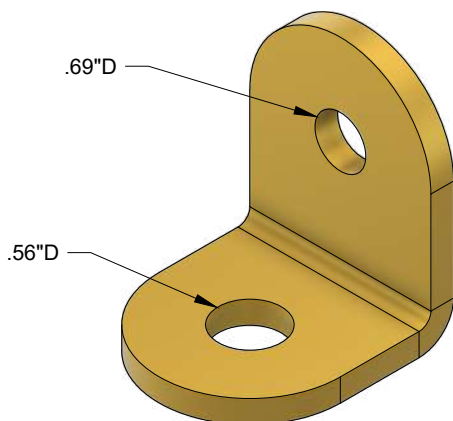
"V" BOLTS



THREAD	C	B	A	PART #
3/8-16	1.00	2.44	3.00	SFH-703
3/8-16	1.25	2.44	4.00	SFH-704
3/8-16	1.50	2.44	5.00	SFH-705
1/2-13	1.50	2.63	5.00	SFH-805
1/2-13	1.50	2.63	8.00	SFH-808
5/8-11	10.75	2.69	13.00	SFH-913

MATERIAL: CARBON STEEL
FINISH: ZINC PLATE - YELLOW CHROMATE

ROD BRACE BRACKET



MATERIAL: CARBON STEEL
FINISH: ZINC PLATE - YELLOW CHROMATE

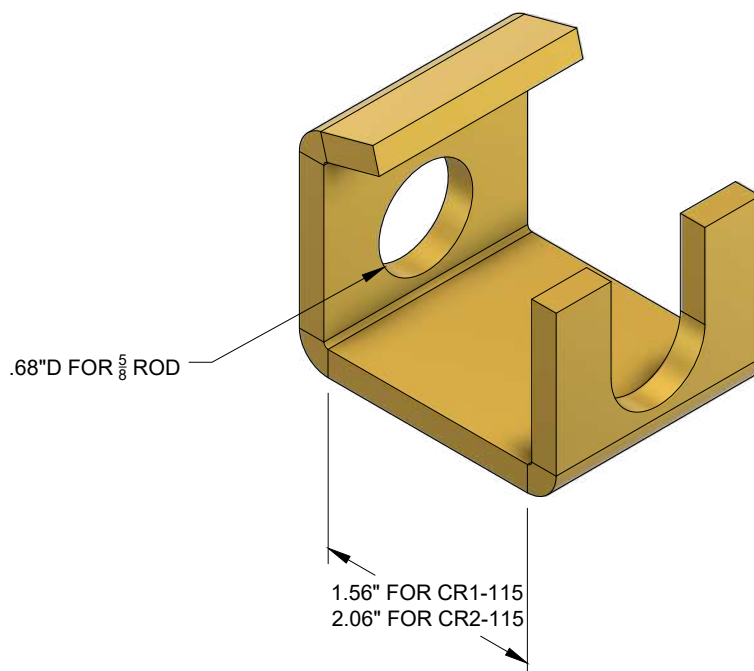
SFH-570

(04/18/23)



Moreng Telecom Products
973-237-2001
www.morengtel.com

CABLE RACK "G" CLIPS

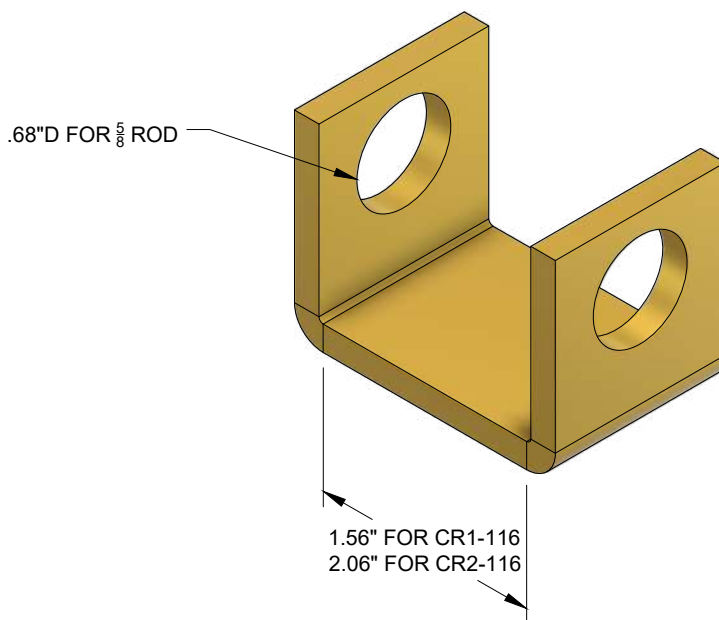


"D" IS DEPTH OF CABLE RACK SIDE BAR

"D"	PART #
1-1/2"	CR1-115
2"	CR2-115

MATERIAL: CR STEEL
FINISH: ZINC PLATE - YELLOW CHROMATE

CABLE RACK "C" CLIPS



"D" IS DEPTH OF CABLE RACK SIDE BAR

"D"	PART #
1-1/2"	CR1-116
2"	CR2-116

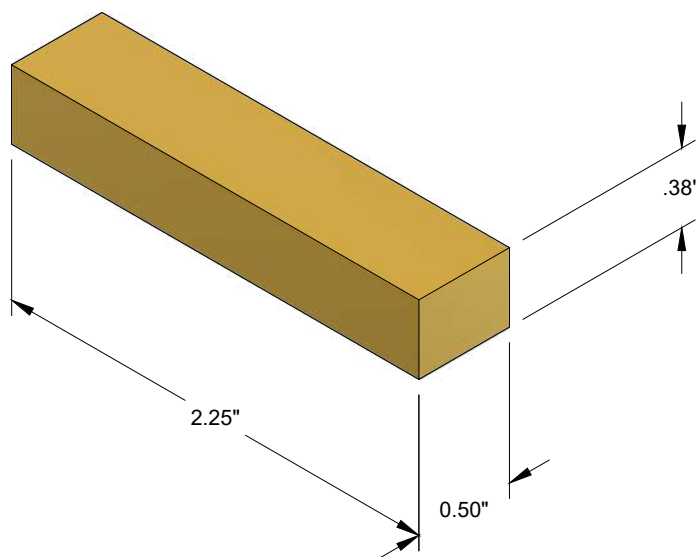
MATERIAL: CR STEEL
FINISH: ZINC PLATE - YELLOW CHROMATE

(04/18/23)



Moreng Telecom Products
973-237-2001
www.morengtel.com

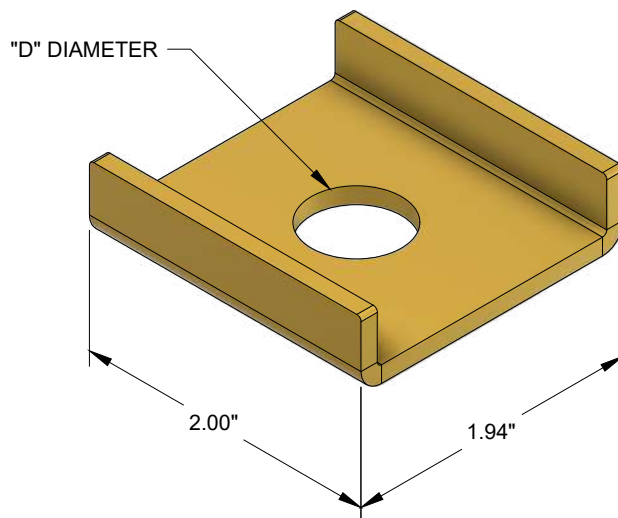
CABLE RACK FILLER BAR



MATERIAL: CR STEEL
FINISH: ZINC PLATE - YELLOW CHROMATE

CR1-820

STRUT CLIPS



MATERIAL: CR STEEL
FINISH: ZINC PLATE - YELLOW CHROMATE

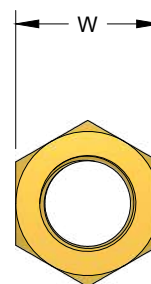
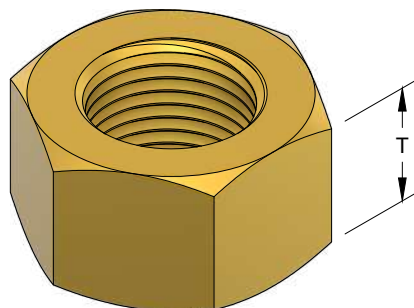
"D"	PART #
0.66	SFH-125
0.53	SFH-124

(12/21/23)



Moreng Telecom Products
973-237-2001
www.morengtel.com

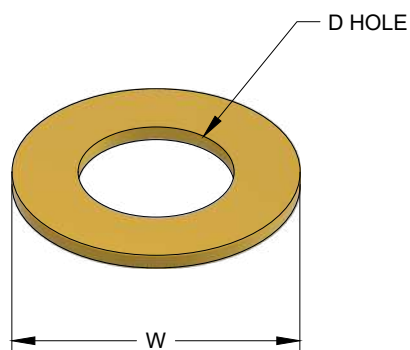
HEAVY HEX NUTS, STEEL



MATERIAL: CARBON STEEL
 NUTS $\frac{3}{8}$ AND OVER ARE GRADE 5 MIN.
 FINISH: ZINC PLATE - YELLOW CHROMATE

SIZE	W	T	PART #
8-32	0.343	0.130	NHC00832Y
10-32	0.375	0.130	NHC01032Y
12-24	0.438	0.161	NHC01224Y
.25-20	0.500	0.266	NHC02520Y
.31-18	0.562	0.330	NHC03118Y
.38-16	0.688	0.393	NHC03716Y
.50-13	0.875	0.520	NHC05013Y
.16-11	1.060	0.647	NHC06211Y

FLAT WASHERS, STEEL



MATERIAL: CR STEEL
 FINISH: ZINC PLATE - YELLOW CHROMATE

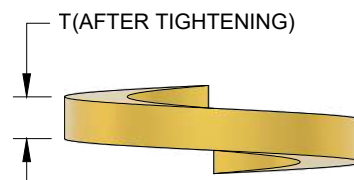
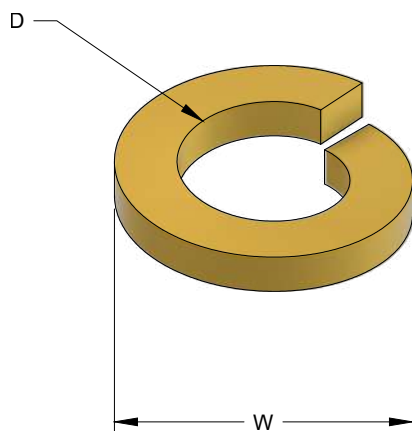
SIZE	W	D	T	PART #
#8	0.500	0.188	0.045	WFC008Y
#10	0.563	0.208	0.045	WFC010Y
#12	0.625	0.240	0.071	WFC012Y
0.25	0.765	0.281	0.071	WFC025Y
0.31	0.875	0.344	0.071	WFC031Y
0.38	1.00	0.406	0.071	WFC037Y
0.50	1.25	0.540	0.112	WFC050Y
0.62	1.75	0.656	0.112	WFC062Y

(04/18/23)



Moreng Telecom Products
 973-237-2001
www.morengtel.com

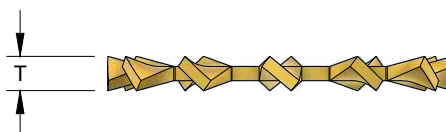
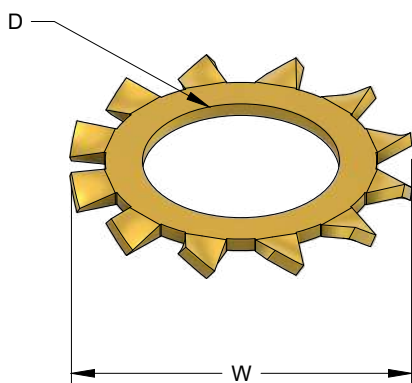
SPRING LOCK WASHERS



SIZE	W	D	T	PART #
#8	0.296	0.168	0.040	WLC008Y
#10	0.337	0.194	0.047	WLC010Y
#12	0.380	0.221	0.056	WLC012Y
0.25	0.493	0.255	0.062	WLC025Y
0.31	0.591	0.319	0.087	WLC031Y
0.38	0.688	0.382	0.094	WLC037Y
0.5	0.879	0.509	0.125	WLC050Y
0.62	1.09	0.636	0.156	WLC062Y

MATERIAL: CR STEEL
FINISH: ZINC PLATE - YELLOW CHROMATE

EXTERNAL TOOTH LOCK WASHERS



SIZE	W	D	T	PART #
#8	0.381	0.168	0.018	WEC008Y
#10	0.410	0.195	0.018	WEC010Y
#12	0.475	0.221	0.02	WEC012Y
0.25	0.51	0.256	0.023	WEC025Y
0.31	0.61	0.320	0.028	WEC031Y
0.38	0.694	0.384	0.032	WEC037Y
0.50	0.900	0.513	0.037	WEC050Y
0.62	1.07	0.641	0.042	WEC062Y

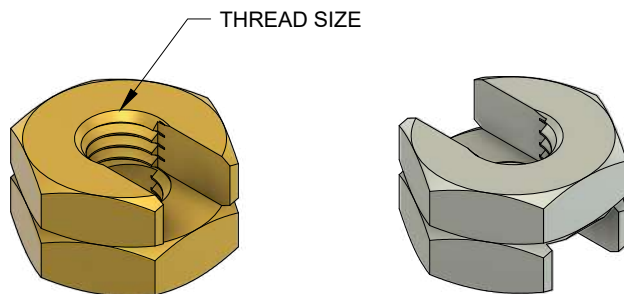
MATERIAL: CR STEEL
FINISH: ZINC PLATE - YELLOW CHROMATE

(04/18/23)



Moreng Telecom Products
973-237-2001
www.morengtel.com

SPLIT HEX NUT (FOR USE ON EXISTING RODS)



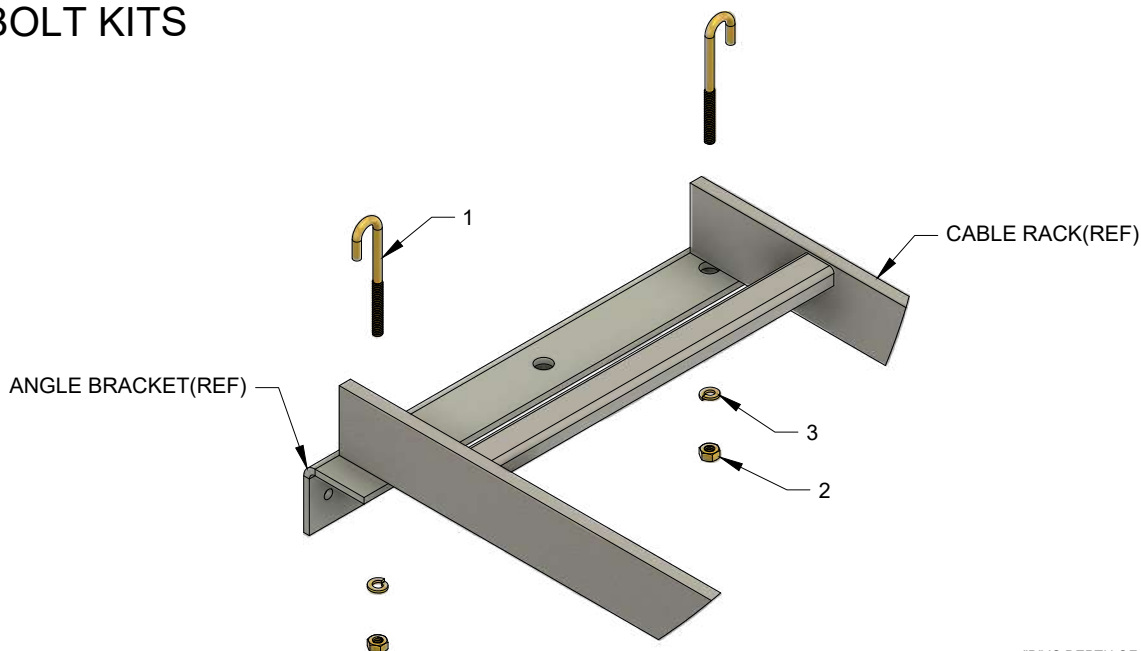
MATERIAL: CARBON STEEL

FINISH: (SEE TABLE)

ZC = ZINC PLATE - CLEAR CHROMATE
ZY = ZINC PLATE - YELLOW CHROMATE

THREAD	FINISH	PART #
.50-13	ZC	NHC05013C-S
.50-13	ZY	NHC05013Y-S
.62-11	ZC	NHC06211C-S
.62-11	ZY	NHC06211Y-S

J-BOLT KITS



"D" IS DEPTH OF CA RK SIDE BAR

ITEM	DESCRIPTION	D	
		1-1/2"	2"
1	1/4-20 x 1-1/2" J BOLT, ZY G5	2	
2	1/4-20 x 2" J BOLT, ZY G5		2
3	1/4" HEX NUT, ZY GR5	2	2
4	1/4" SPRING LW, ZY G5	2	2

MATERIAL: CR STEEL

FINISH: ZINC PLATE - YELLOW CHROMATE

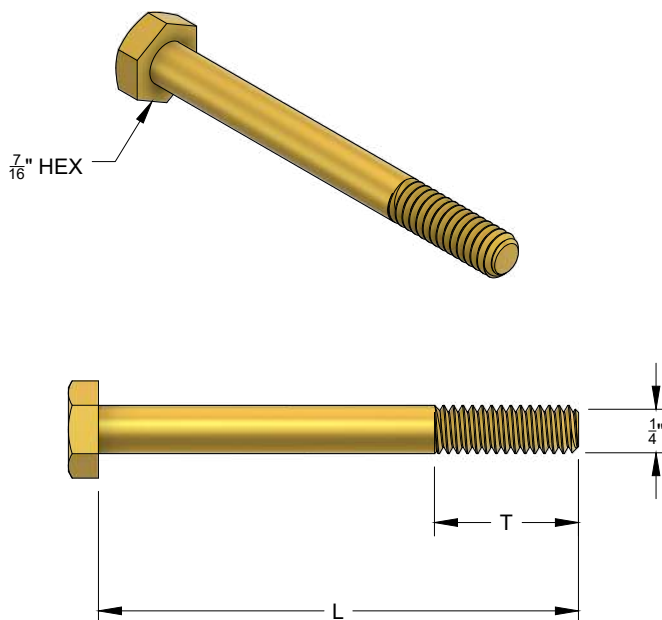
(04/18/23)



Moreng Telecom Products
973-237-2001
www.morengtel.com

$\frac{1}{4}$ -20 HEX HEAD CAP SCREWS

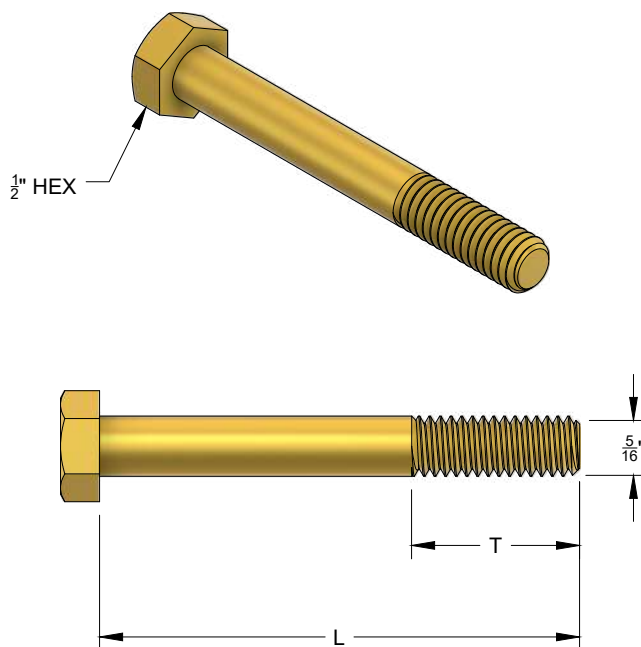
-MATERIAL: CARBON STEEL - GRADE 5
 -FINISH: ZINC PLATE - YELLOW CHROMATE



L	T	PART #
1/2"	1/2"	CH502520050Y
5/8"	5/8"	CH502520062Y
3/4"	3/4"	CH502520075Y
7/8"	3/4"	CH502520087Y
1"	3/4"	CH502520100Y
1-1/4"	3/4"	CH502520125Y
1-1/2"	3/4"	CH502520150Y
1-3/4"	3/4"	CH502520175Y
2"	3/4"	CH502520200Y
2-1/4"	3/4"	CH502520225Y
2-1/2"	3/4"	CH502520250Y
2-3/4"	3/4"	CH502520275Y
3"	3/4"	CH502520300Y
3-1/4"	3/4"	CH502520325Y
3-1/2"	3/4"	CH502520350Y
3-3/4"	3/4"	CH502520375Y
4"	3/4"	CH502520400Y
4-1/2"	3/4"	CH502520450Y
5"	3/4"	CH502520500Y
5-1/2"	3/4"	CH502520550Y
6"	3/4"	CH502520600Y
xxx		CH50025xxxY

 $\frac{5}{16}$ -18 HEX HEAD CAP SCREWS

-MATERIAL: CARBON STEEL - GRADE 5
 -FINISH: ZINC PLATE - YELLOW CHROMATE



L	T	PART #
1/2"	1/2"	CH503118050Y
5/8"	5/8"	CH503118062Y
3/4"	3/4"	CH503118075Y
7/8"	7/8"	CH503118087Y
1"	7/8"	CH503118100Y
1-1/4"	7/8"	CH503118125Y
1-1/2"	7/8"	CH503118150Y
1-3/4"	7/8"	CH503118175Y
2"	7/8"	CH503118200Y
2-1/4"	7/8"	CH503118225Y
2-1/2"	7/8"	CH503118250Y
2-3/4"	7/8"	CH503118275Y
3"	7/8"	CH503118300Y
3-1/4"	7/8"	CH503118325Y
3-1/2"	7/8"	CH503118350Y
3-3/4"	7/8"	CH503118375Y
4"	7/8"	CH503118400Y
4-1/2"	7/8"	CH503118450Y
5"	7/8"	CH503118500Y
5-1/2"	7/8"	CH503118550Y
6"	7/8"	CH503118600Y
xxx		CH50311xxxY

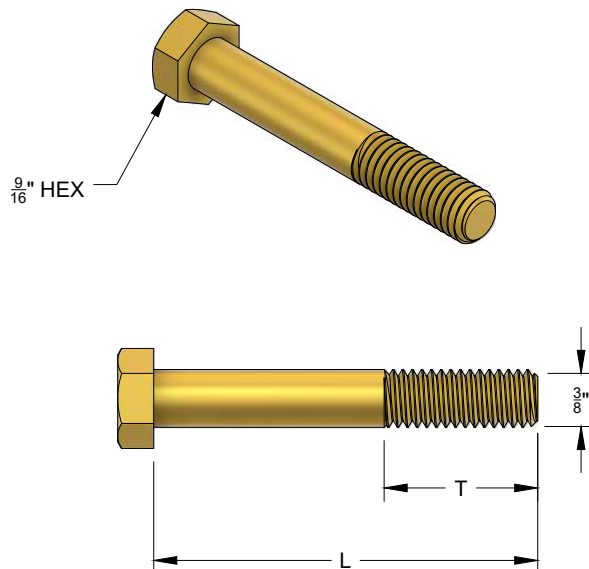
(04/18/23)



Moreng Telecom Products
 973-237-2001
www.morengtel.com

$\frac{3}{8}$ -16 HEX HEAD CAP SCREWS

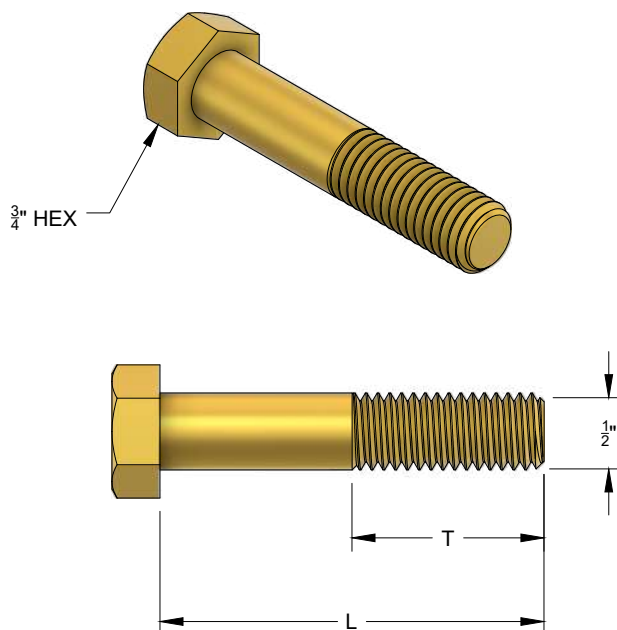
-MATERIAL: CARBON STEEL - GRADE 5
 -FINISH: ZINC PLATE - YELLOW CHROMATE



L	T	PART #
1/2"	1/2"	CH503716050Y
5/8"	5/8"	CH503716062Y
3/4"	3/4"	CH503716075Y
7/8"	7/8"	CH503716087Y
1"	1"	CH503716100Y
1-1/4"	1"	CH503716125Y
1-1/2"	1"	CH503716150Y
1-3/4"	1"	CH503716175Y
2"	1"	CH503716200Y
2-1/4"	1"	CH503716225Y
2-1/2"	1"	CH503716250Y
2-3/4"	1"	CH503716275Y
3"	1"	CH503716300Y
3-1/4"	1"	CH503716325Y
3-1/2"	1"	CH503716350Y
3-3/4"	1"	CH503716375Y
4"	1"	CH503716400Y
4-1/2"	1"	CH503716450Y
5"	1"	CH503716500Y
5-1/2"	1"	CH503716550Y
6"	1"	CH503716600Y
xxx		CH503716xxxY

 $\frac{1}{2}$ -13 HEX HEAD CAP SCREWS

-MATERIAL: CARBON STEEL - GRADE 5
 -FINISH: ZINC PLATE - YELLOW CHROMATE



L	T	PART #
3/4"	3/4"	CH505013075Y
7/8"	7/8"	CH505013087Y
1"	1"	CH505013100Y
1-1/4"	1-1/4"	CH505013125Y
1-1/2"	1-1/4"	CH505013150Y
1-3/4"	1-1/4"	CH505013175Y
2"	1-1/4"	CH505013200Y
2-1/4"	1-1/4"	CH505013225Y
2-1/2"	1-1/4"	CH505013250Y
2-3/4"	1-1/4"	CH505013275Y
3"	1-1/4"	CH505013300Y
3-1/4"	1-1/4"	CH505013325Y
3-1/2"	1-1/4"	CH505013350Y
3-3/4"	1-1/4"	CH505013375Y
4"	1-1/4"	CH505013400Y
4-1/2"	1-1/4"	CH505013450Y
5"	1-1/4"	CH505013500Y
5-1/2"	1-1/4"	CH505013550Y
6"	1-1/4"	CH505013600Y
xxx		CH505013xxxY

(04/18/23)

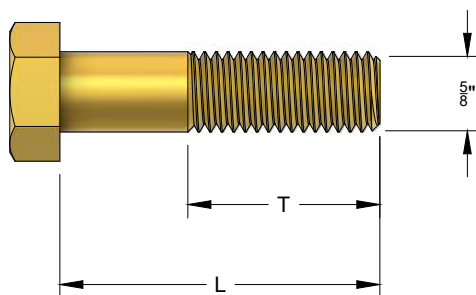
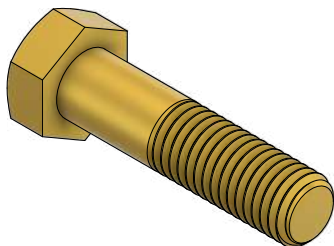


Moreng Telecom Products
 973-237-2001
www.morengtel.com

$\frac{5}{8}$ -11 HEX HEAD CAP SCREWS

-MATERIAL: CARBON STEEL - GRADE 5

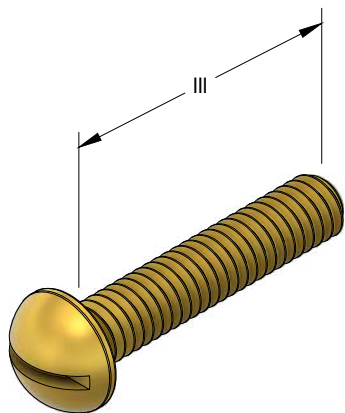
-FINISH: ZINC PLATE - YELLOW CHROMATE



L	T	PART #
1"	1"	CH506211100Y
1-1/4"	1-1/4"	CH506211125Y
1-1/2"	1-1/4"	CH506211150Y
1-3/4"	1-1/4"	CH506211175Y
2"	1-1/4"	CH506211200Y
2-1/4"	1-1/4"	CH506211225Y
2-1/2"	1-1/4"	CH506211250Y
2-3/4"	1-1/4"	CH506211275Y
3"	1-1/4"	CH506211300Y
3-1/4"	1-1/4"	CH506211325Y
3-1/2"	1-1/4"	CH506211350Y
3-3/4"	1-1/4"	CH506211375Y
4"	1-1/4"	CH506211400Y
4-1/2"	1-1/4"	CH506211450Y
5"	1-1/4"	CH506211500Y
5-1/2"	1-1/4"	CH506211550Y
6"	1-1/4"	CH506211600Y
6-1/2"	1-3/4"	CH506211650Y
7"	1-3/4"	CH506211700Y
xxx		CH506211xxxY

ROUND HEAD MACHINE SCREWS

-MATERIALS: CARBON STEEL

-FINISH: Y FOR ZINC/YELLOW
C FOR ZINC/CLEAR

PART # FORMAT:

SLOTTED HEAD: MRC ddd tt III f

WHERE:

ddd = DIAMETER (0.25 MAX)

tt = THREADS PER INCH

III = LENGTH (x.xx)

f = FINISH

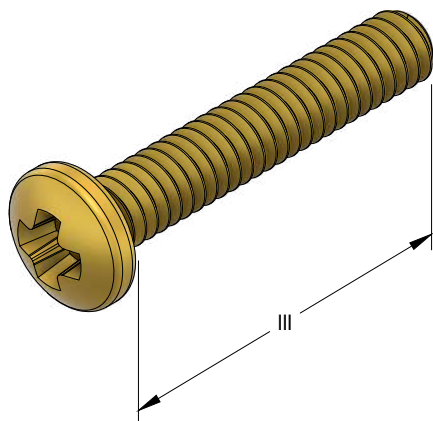
EXAMPLE: 12-24 x $\frac{5}{8}$ " SLOTTED RHMS w/ ZY FINISH IS MRC01224062Y

(04/18/23)

Moreng Telecom Products
973-237-2001
www.morengtel.com

PAN HEAD MACHINE SCREWS

- MATERIAL: CARBON STEEL
- FINISH: Y FOR ZINC/YELLOW
C FOR ZINC/CLEAR



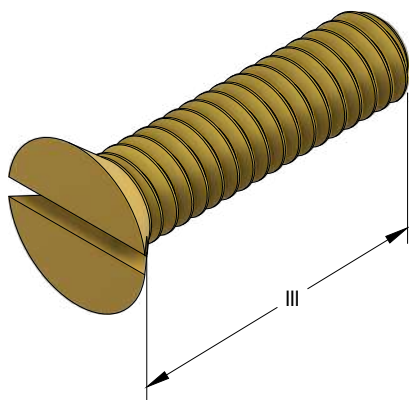
PART # FORMAT:
 SLOTTED HEAD: MPC ddd tt III f
 PHILIPS HEAD: MPP ddd tt III f

WHERE:
 ddd = DIAMETER (0.25 MAX)
 tt = THREADS PER INCH
 III = LENGTH (x.xx)
 f = FINISH

EXAMPLE: 12-24 x $\frac{5}{8}$ " SLOTTED PHMS w/ ZY FINISH IS MPC01224062Y

FLAT HEAD MACHINE SCREWS

- MATERIAL: CARBON STEEL
- FINISH: Y FOR ZINC/YELLOW
C FOR ZINC/CLEAR



PART # FORMAT:
 SLOTTED HEAD: MFC ddd tt III f

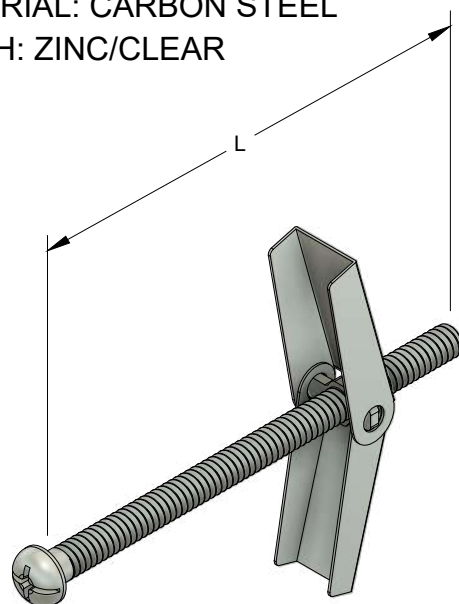
WHERE:
 ddd = DIAMETER (0.37 MAX)
 tt = THREADS PER INCH
 III = LENGTH (x.xx)
 f = FINISH

EXAMPLE: 1/4-20 x 1" SLOTTED FHMS w/ ZC FINISH IS MFC02520100Y



TOGGLE BOLTS

- MATERIAL: CARBON STEEL
- FINISH: ZINC/CLEAR

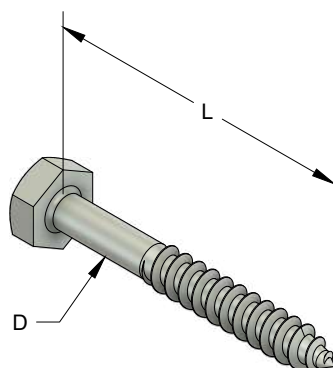


THREAD	L	PART #
10-24	2"	TBC010200C
10-24	3"	TBC010300C
10-24	4"	TBC010400C
1/4-20	3"	TBC025300C
1/4-20	4"	TBC025400C
5/16-18	3"	TBC031300C
5/16-18	4"	TBC031400C
3/8-16	3"	TBC037300C
3/8-16	4"	TBC037400C

*OTHER SIZES AND FINISHES AVAILABLE ON REQUEST

LAG SCREWS

- MATERIAL: CARBON STEEL
- FINISH: ZINC/CLEAR



D	L	PART #
3/8	1.50"	LAC037150
3/8	1.75"	LAC037175
3/8	2.00"	LAC037200
3/8	2.50"	LAC037250
3/8	3.00"	LAC037300
3/8	4.00"	LAC037400
1/2	3.00"	LAC050300
5/8	2.00"	LAC062200

*OTHER SIZES AND FINISHES AVAILABLE ON REQUEST

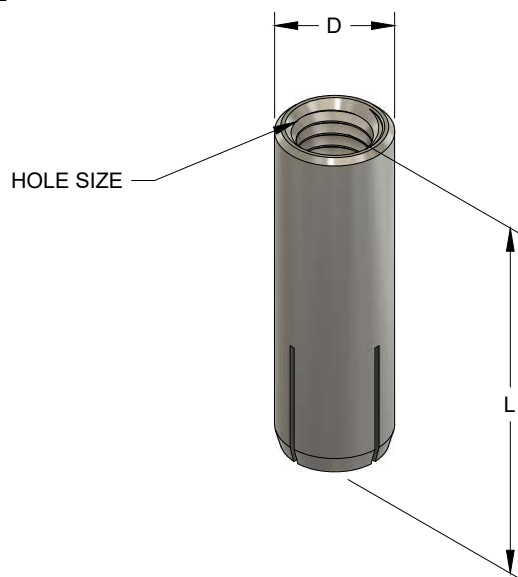
(04/18/23)



Moreng Telecom Products
973-237-2001
www.morengtel.com

DROP IN ANCHOR

D = DRILL SIZE



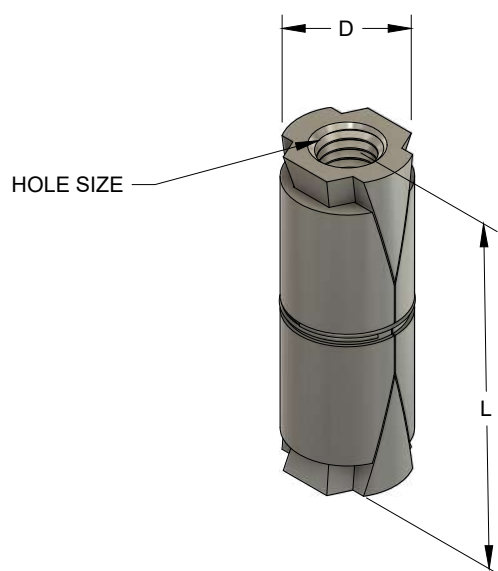
MATERIAL: ZINC

FINISH: NONE

SIZE	D	L	PART #
.37-16	1/2	1.56	SDE03716H
.50-13	5/8	2.00	SDE05013H
.62-11	27/32	2.56	SDE06211H

DOUBLE EXPANSION ANCHORS

D = DRILL SIZE



MATERIAL: ZINC

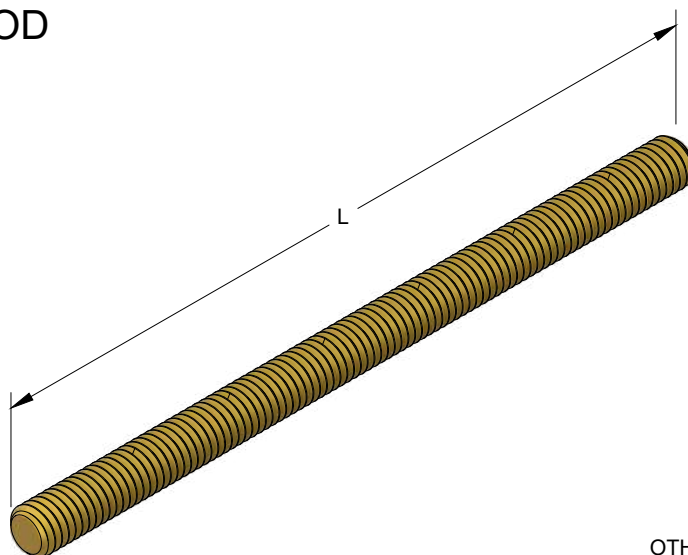
FINISH: NONE

SIZE	D	L	PART #
.25-20	1/2	1.00	SDE02520
.37-16	3/4	1.57	SDE03716
.50-13	7/8	2.00	SDE05013
.62-11	1	2.25	SDE06211

(04/18/23)



Moreng Telecom Products
973-237-2001
www.morengtel.com

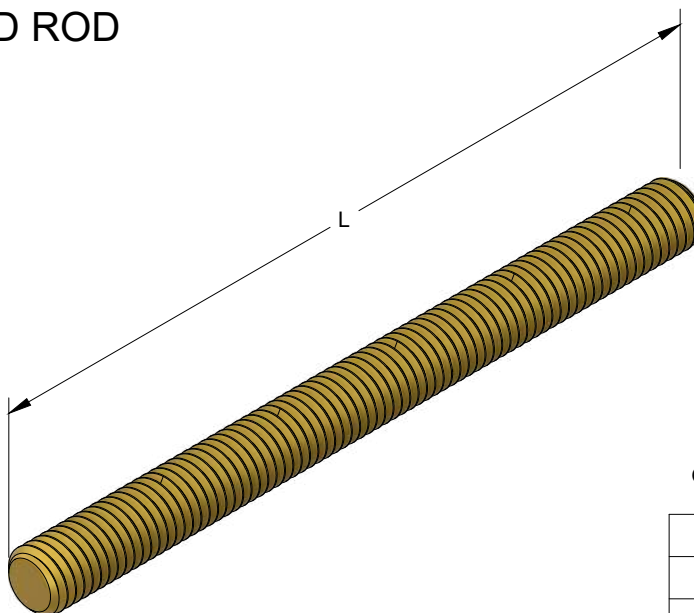
$\frac{3}{8}$ THREADED ROD

OTHER LENGTHS AVAILABLE

"L"	PART #
12	SHR-3-012
18	SHR-3-018
24	SHR-3-024
36	SHR-3-036
48	SHR-3-048
72	SHR-3-072

MATERIAL: $\frac{3}{8}$ -16 THREADED STEEL ROD B-7

FINISH: ZINC & YELLOW PLATED (ROHS COMPLIANT)

 $\frac{1}{2}$ THREADED ROD

OTHER LENGTHS AVAILABLE

"L"	PART #
12	SHR-4-012
18	SHR-4-018
24	SHR-4-024
36	SHR-4-036
48	SHR-4-048
72	SHR-4-072
96	SHR-4-096
120	SHR-4-120

MATERIAL: 1/2-13 THREADED STEEL ROD B-7

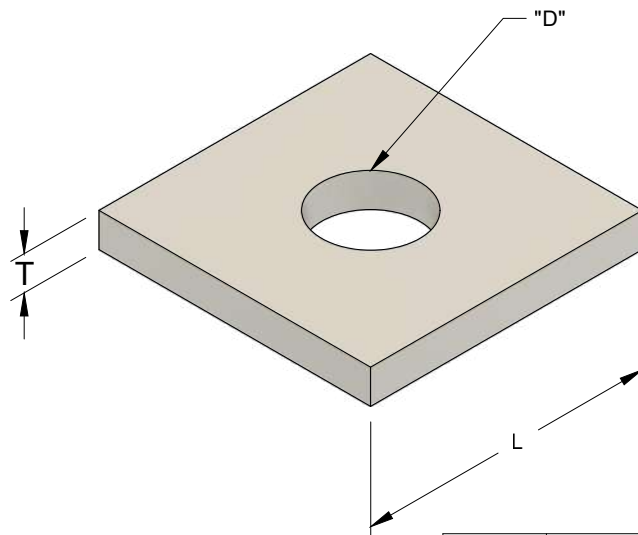
FINISH: ZINC & YELLOW PLATED (ROHS COMPLIANT)

(04/18/23)



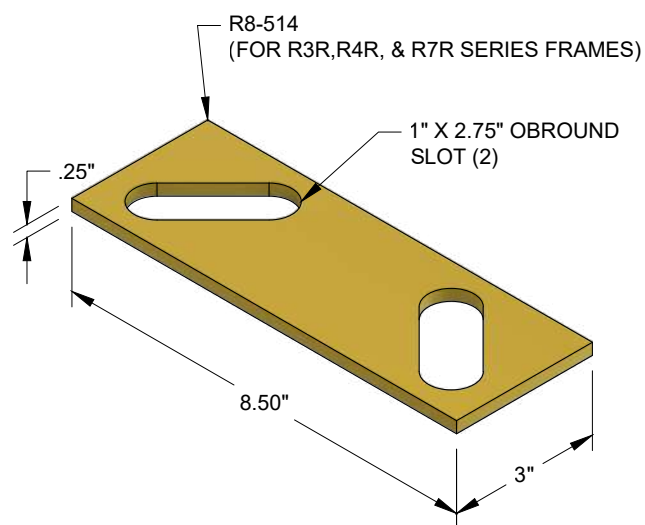
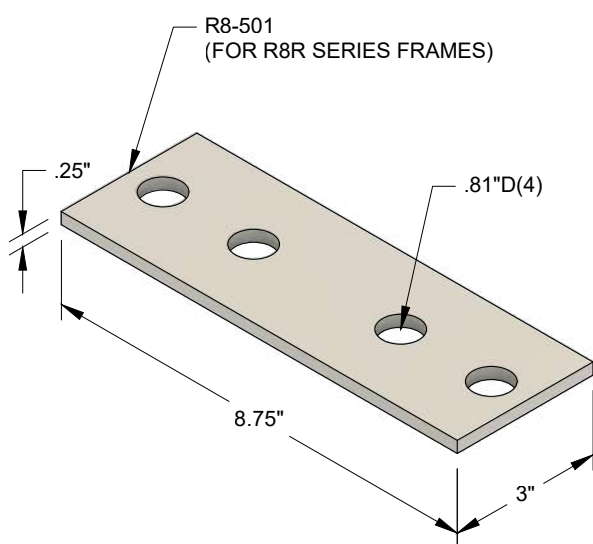
Moreng Telecom Products
973-237-2001
www.morengtel.com

SQUARE WASHERS



"D"	"T"	"L"	FINISH	PART #
0.53	0.25	3.00	ZINC CLEAR	R2-200
0.72	0.25	2.00	ZINC CLEAR	R8-502
0.88	0.25	2.00	ZINC YELLOW	R8-502R
0.72	0.50	2.50	MTP GRAY	R7-208
0.656	0.25	1.63	ZINC CLEAR	SFH-608
0.562	0.25	1.63	ZINC CLEAR	SFH-608A

HOLD DOWN PLATES



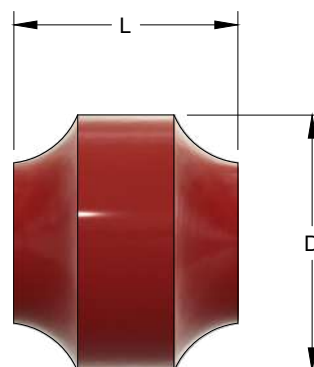
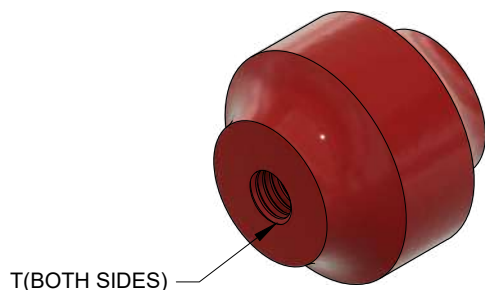
FINISH	PART #
ZINC CLEAR	R8-501
ZINC YELLOW	R8-514

(04/18/23)



Moreng Telecom Products
 973-237-2001
www.morengtel.com

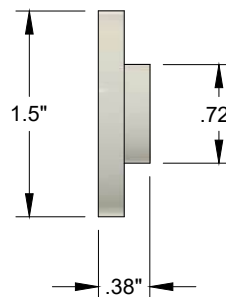
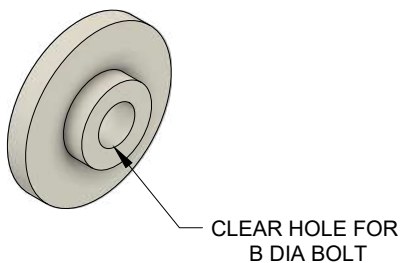
INSULATING STAND-OFFS (WITH OR WITHOUT NUTS)



MATERIAL: POLYESTER
COLOR: RED

W/ NUTS	T	D	L	PART #
NO	1/2-13	2.00"	1.75"	GB-104
NO	5/8-11	2.63"	2.75"	GB-105
YES	1/2-13	2.00"	1.75"	GB-104K
YES	5/8-11	2.63"	2.75"	GB-105K

INSULATING BUSHING



MATERIAL: PLASTIC-UL 94 V-1
(W/ OXYGEN INDEX >29)

COLOR: WHITE

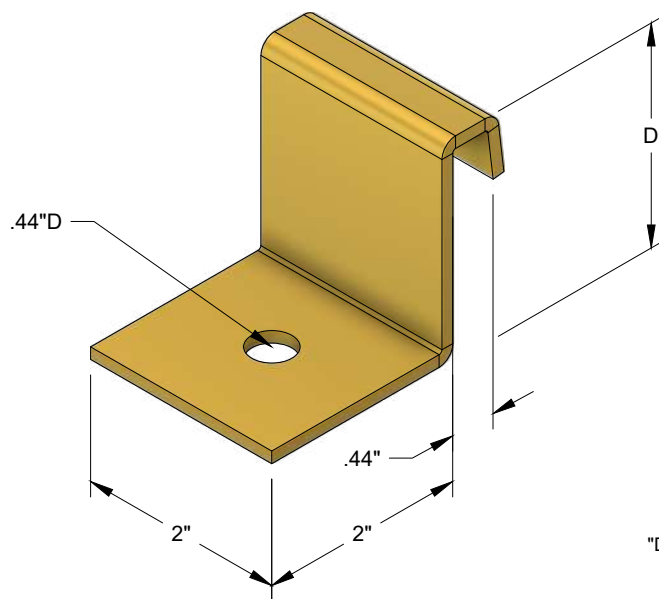
B	D	A	PART #
0.375	1.50	0.719	GP-204
0.500	1.75	0.844	GP-205

(04/18/23)



Moreng Telecom Products
973-237-2001
www.morengtel.com

CABLE RACK CLAMPS



MATERIAL: CARBON STEEL
FINISH: ZINC PLATE - YELLOW CHROMATE

"D" IS DEPTH OF CABLE RACK SIDE BAR

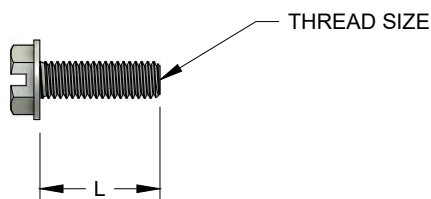
"D"	PART #
1-1/2"	CR1-239
2"	CR2-239

(05/12/23)



Moreng Telecom Products
973-237-2001
www.morengtel.com

TRI LOBE MACHINE SCREWS (SLOTTED HEX)

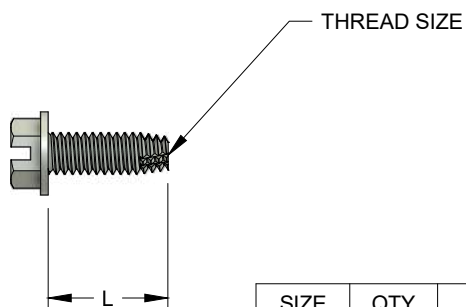


MATERIAL: CARBON STEEL

FINISH CODE - LAST DIGIT OF PART #
C FOR ZINC / CLEAR (ROHS)
Y FOR ZINC / YELLOW (ROHS)

SIZE	L	PART #
12-24	0.50	CHWS01224050C
12-24	0.50	CHWS01224050Y
12-24	0.63	CHWS01224062C
12-24	0.75	CHWS01224075C

TRI LOBE MACHINE SCREWS - SELF TAPPING (SLOTTED HEX)



MATERIAL: CARBON STEEL

Q= QUANTITY PER PACK

FINISH: ZINC / CLEAR (ROHS)

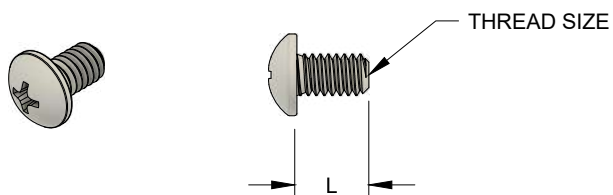
SIZE	QTY	L	PART #
12-24	1	0.38	THS01224037C
12-24	1	0.50	THS01224050C
12-24	100	0.50	THS01224050C100
12-24	1	0.63	THS01224062C
12-24	50	0.75	THS01224075C50
12-24	100	0.75	THS01224075C100

(02/02/24)



Moreng Telecom Products
973-237-2001
www.morengtel.com

PAN HEAD MACHINE SCREWS (PHILLIPS HEAD -STANDARD)



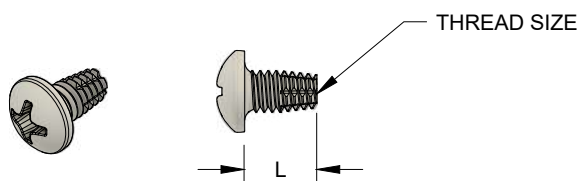
MATERIAL: CARBON STEEL

Q= QUANTITY PER PACK

FINISH: ZINC / CLEAR (ROHS)

SIZE	QTY	L	PART #
12-24	1	0.38	MPP01224037C
12-24	1	0.50	MPP01224050C
12-24	1	0.63	MPP01224062C
12-24	1	0.75	MPP01224075C
12-24	1	1.00	MPP01224100C
12-24	50	0.38	MPP01224037C50
12-24	100	0.25	MPP01224025C100

PAN HEAD MACHINE SCREWS - SELF TAPPING (PHILLIPS HEAD -STANDARD)



PAN PHILLIPS HEAD TYPE F
THREAD CUTTING
MPCF STYLE

MATERIAL: CARBON STEEL

FINISH: ZINC / CLEAR (ROHS)

SIZE	L	PART #
12-24	0.50	MPCF1224050C
12-24	0.75	MPCF1224075C
12-24	1.00	MPCF1224100C

(02/02/24)



Moreng Telecom Products
973-237-2001
www.morengtel.com

NETWORK BAYS



NETWORK BAYS

R8R SERIES (SEISMIC ZONE 2)

R7R SERIES (SEISMIC ZONE 4)

- **PHYSICAL DESCRIPTION**

7' Environment: All 7' Network Bay configurations contain a welded steel frame structural component. The welded frame consists of a 26" or 22" wide x 10" deep base, two 5" deep x 84" high unequal flange uprights and a top channel. There is a 4" high guard box located either on the closed duct side of the uprights (large flange) or the open duct side (small flange). Both flanges of the uprights are drilled and tapped for either 1.75" (1.25 - .50 ctrs) or 2" (1" ctrs) mounting patterns. The floor mounting holes in the base meet the requirements of NEBS GR-63. Standard finishes are MTP Gray, Network Blue or Off-White.

26" wide bays are nominally referred to as 23" bays.

22" wide bays are nominally referred to as 19" bays.

8', 9', 10' & 11'-6" Environments: The most common method to achieve these taller environments is to utilize a 7' network bay with an extender. Moreng extenders come in several different heights (12", 24", 36", 54" and 56"). The extender bolts to the top of the network bay and should be supported to the overhead grid. In seismic applications, the extender is designed not to accept equipment. The other option to reach these desired heights is to install a network bay that is made to the specific height.

Foot Print Depths: Rear Guard Rail Kits and Front Guard Box Extensions are added to the welded 10" deep frame for building out to the required foot print depths, which the equipment being mounted requires for protection. (See page 5-02) The most common bay configurations are diagrammed on the following pages.

- **NEBS EARTHQUAKE & VIBRATION CERTIFICATION - (23" BAYS ONLY)**

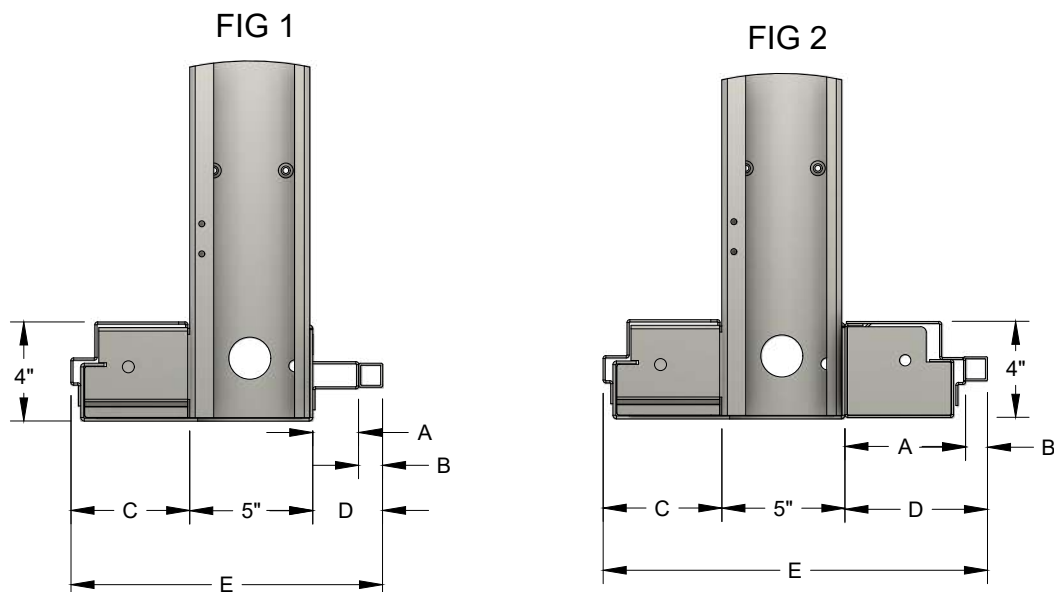
R8R Series Bay: Our 7' Network Bays have been tested and certified to NEBS GR-63 Level 2 (seismic zones 0-2) requirements. The bays were tested for an equally distributed equipment load of 500 #s with 50# top load.

R7R Series Bay: Our 7' Seismic Network Bays have been tested and certified to NEBS GR-63 Level 3 (seismic zones 3 & 4) requirements. The bays were tested for an equally distributed equipment load of 520 #s with 50 # top load.

R7R Series Bay Extenders: Our 7' Seismic Network Bay Extenders have been tested and certified to NEBS GR-63 Level 3 (seismic zones 3 & 4) requirements. The empty extender with 50# top load is mounted on top of a 7' R7R bay, which contained an equally distributed equipment load of 520 #s. The bay extender is manufactured so that NO equipment can be mounted in it.



NETWORK BAY FOOTPRINT CONFIGURATION NUMBERS AND CODES



BAY PART # - R a R hhh ww m c - x

a = 7 FOR SEISMIC
= 8 FOR ZONE 0-2

hhh = BAY HEIGHT (INCHES)

ww = NOMINAL BAY WIDTH 19" OR 23"

m = RACK MOUNTING PATTERN
1 = 1.75" EIA
2 = 1.00" WEICO

c = FOOT PRINT CODE
SEE TABLE BELOW

x = FINISH, 1 = MTP GRAY, 3 = NETWORK BLUE, 4 = OFF WHITE

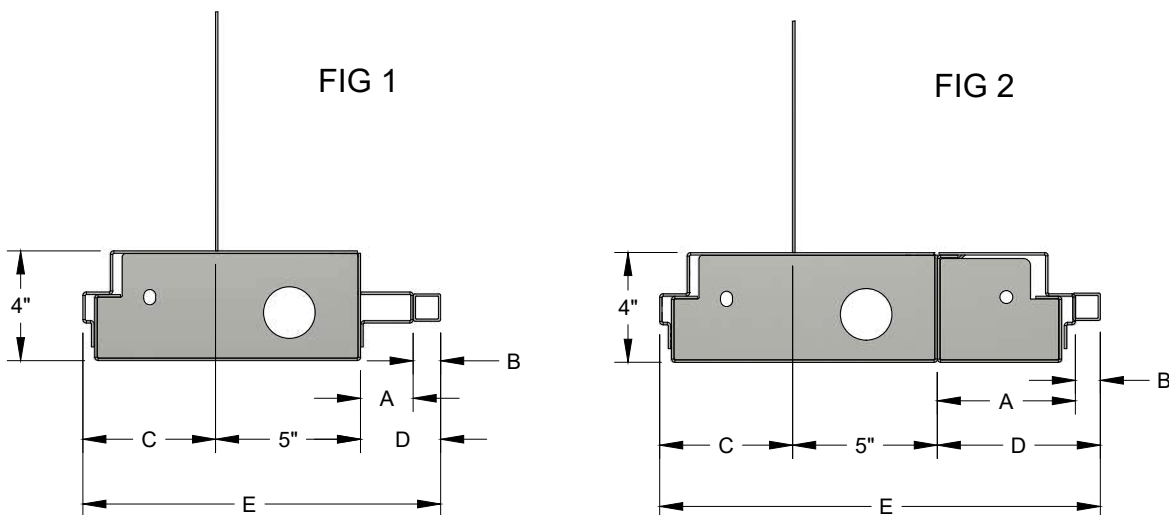
FIG	E	C	D	A	B	CONFIG CODE 'c'	
						LARGE	SMALL
1	10	5	0	0	0	A	M
1	11	6	0	0	0	P	Q
1	12	5	2	2	0	R	D
1	12	6	1	1	0	T	BLANK
1	15	5	5	2	3	C	U
2	15	5	5	5	0	B	V
2	16	5	6	5	1	G	H
2	16	6	5	5	0	E	F
2	18	5	8	8	0	J	K
2	20	5	10	10	0	L	Z
2	21	8	8	8	0	W	X

(02/27/23)



Moreng Telecom Products
973-237-2001
www.morengtel.com

NETWORK BAY SPACER FOOTPRINT CONFIGURATION NUMBERS & CODES



SPACER PART # - R a bb hhh ww c - x

a = 7 FOR SEISMIC
= 8 FOR ZONE 0-2

bb = SP FOR BAY SPACER
= ES FOR END GUARD SPACER

hhh = SPACER HEIGHT (INCHES)

ww = SPACE WIDTH 2, 5, OR 10

c = FOOT PRINT CODE
SEE TABLE BELOW

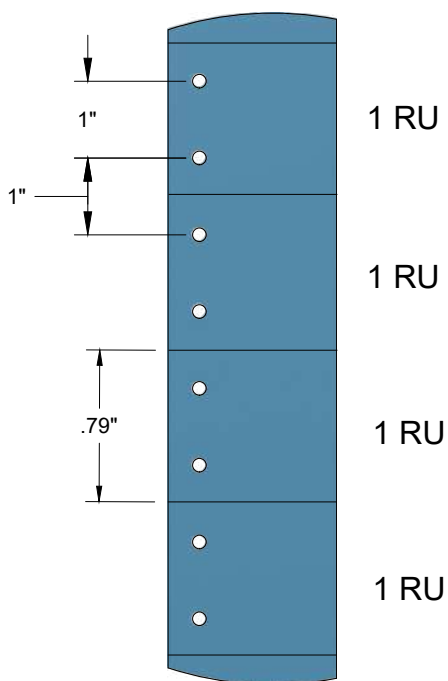
x = FINISH: 1 = MTP GRAY
3 = NETWORK BLUE
4 = OFF WHITE

FIG	DIMENSIONS					CONFIG CODE 'C'	
	E	C	D	A	B	GUARD BOX FLANGE	
						LARGE	SMALL
1	10	5	0	0	0	A	M
1	11	6	0	0	0	P	Q
1	12	5	2	2	0	R	D
1	12	6	1	1	0	T	BLANK
1	15	5	5	2	3	C	U
2	15	5	5	5	0	B	V
2	16	5	6	5	1	G	H
2	16	6	5	5	0	E	F
2	18	5	8	8	0	J	K
2	20	5	10	10	0	L	Z
2	21	8	8	8	0	W	X



BAY RU GUIDE

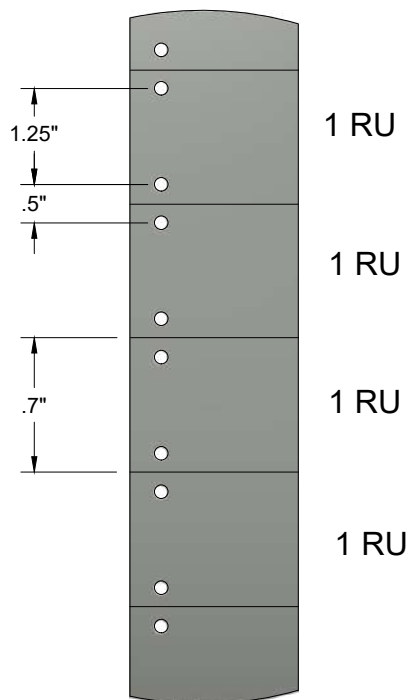
FOR ALL NETWORK(R8), SEISMIC(R7), 23", AND 19" BAYS



1 RU EQUALS 2"

2" MTG PATTERN

BAY HEIGHT	# OF RU
7'	39
8'	44
9'	50
11'6"	65



1 RU EQUALS 1.75"

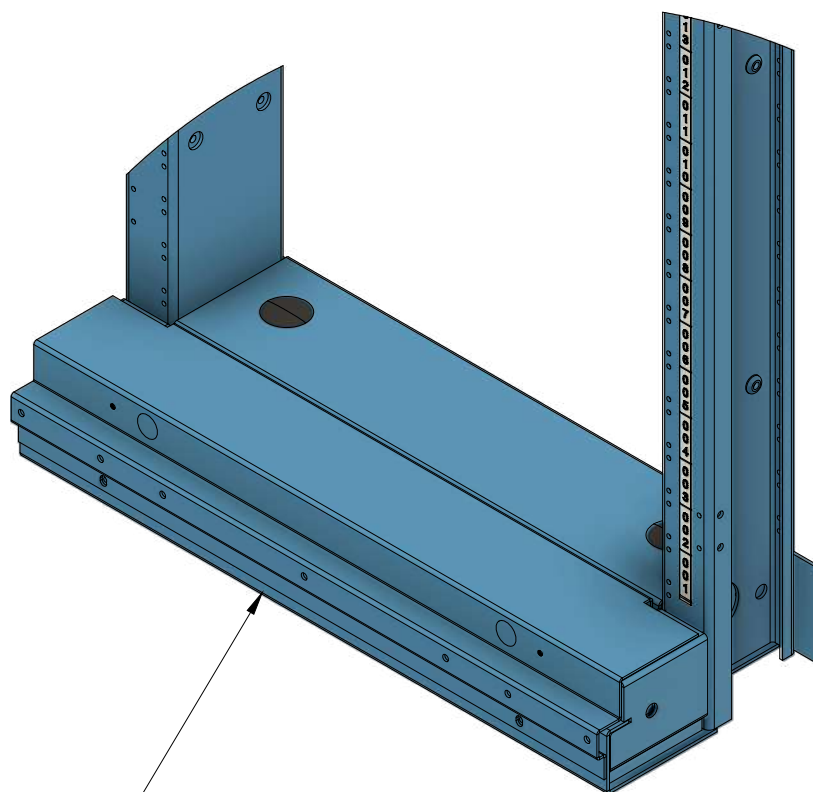
1-3/4" MTG PATTERN

BAY HEIGHT	# OF RU
7'	44
8'	50
9'	57
11'6"	74



REVERSE DESIGNATION LABEL STRIP BAY RU GUIDE (FOR ALL NETWORK and UEF BAYS: #001-075)

0	0	0	0	0
1	3	4	6	7
5	0	5	0	5
0	0	0	0	0
1	2	4	5	7
4	9	4	9	4
0	0	0	0	0
1	2	4	5	7
3	8	3	8	3
0	0	0	0	0
1	2	4	5	7
2	7	2	7	2
0	0	0	0	0
1	2	4	5	7
1	6	1	6	1
0	0	0	0	0
1	2	4	5	7
0	5	0	5	0
0	0	0	0	0
0	2	3	5	6
9	4	9	4	9
0	0	0	0	0
0	2	3	5	6
8	3	8	3	8
0	0	0	0	0
0	2	3	5	6
7	2	7	2	7
0	0	0	0	0
0	2	3	5	6
6	1	6	1	6
0	0	0	0	0
0	2	3	5	6
5	0	5	0	5
0	0	0	0	0
0	1	3	4	6
4	9	4	9	4
0	0	0	0	0
0	1	3	4	6
3	8	3	8	3
0	0	0	0	0
0	1	3	4	6
2	7	2	7	2
0	0	0	0	0
0	1	3	4	6
1	6	1	6	1



NETWORK BAY REF

CCS1301



NETWORK BAYS
 (10 x 26 FOOTPRINT)
 CLOSED DUCT
 7' HIGH

STOCK LIST			
ITEM#	Description	R8R084231A-x	R8R084232A-x
1	R8 BAY, 7" x 23 - REAR CABLED-1.75	1	
2	R8 BAY, 7" x 23 - REAR CABLED-2.00		1
3	R8 COVER, FRONT 5" x 23	1	1
4	JUNCTION KIT	1	1

MATERIAL: CARBON STEEL

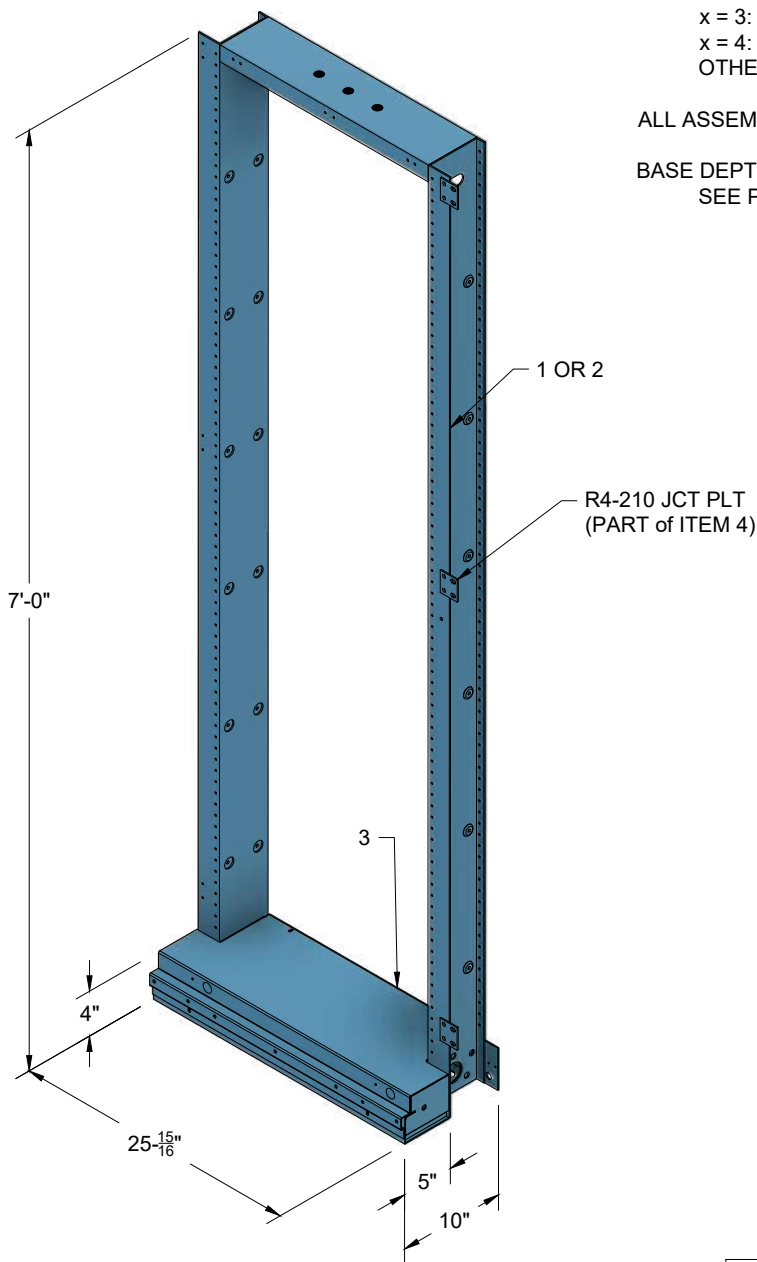
FINISH OPTIONS:

- x = 1: MTP GRAY
- x = 3: NETWORK BLUE
- x = 4: OFF WHITE
- OTHER FINISHES AVAILABLE

ALL ASSEMBLY HARDWARE INCLUDED

BASE DEPTH OPTIONS:

SEE PAGE 5-02 FOR CODES



FOR HEIGHTS OVER 7' ORDER BAY
 EXTENDER: SEE 5-13

MTG PATTERN	PART #
1.75 x 23 (44)	R8R084231A-x
2.00 x 23 (38)	R8R084232A-x

(02/27/23)



Moreng Telecom Products
 973-237-2001
 www.morengtel.com

NETWORK BAYS
 (12 x 26 FOOTPRINT)
 CLOSED DUCT
 7' HIGH

STOCK LIST				
ITEM#	Description	R8R084231R-x	R8R084232R-x	
1	R8 BAY, 7" x 23 - REAR CABLED-1.75	1		
2	R8 BAY, 7" x 23 - REAR CABLED-2.00		1	
3	R8 COVER, FRONT 5" x 23	1	1	
4	JUNCTION KIT	1	1	
5	2" GUARD RAIL KIT	1	1	

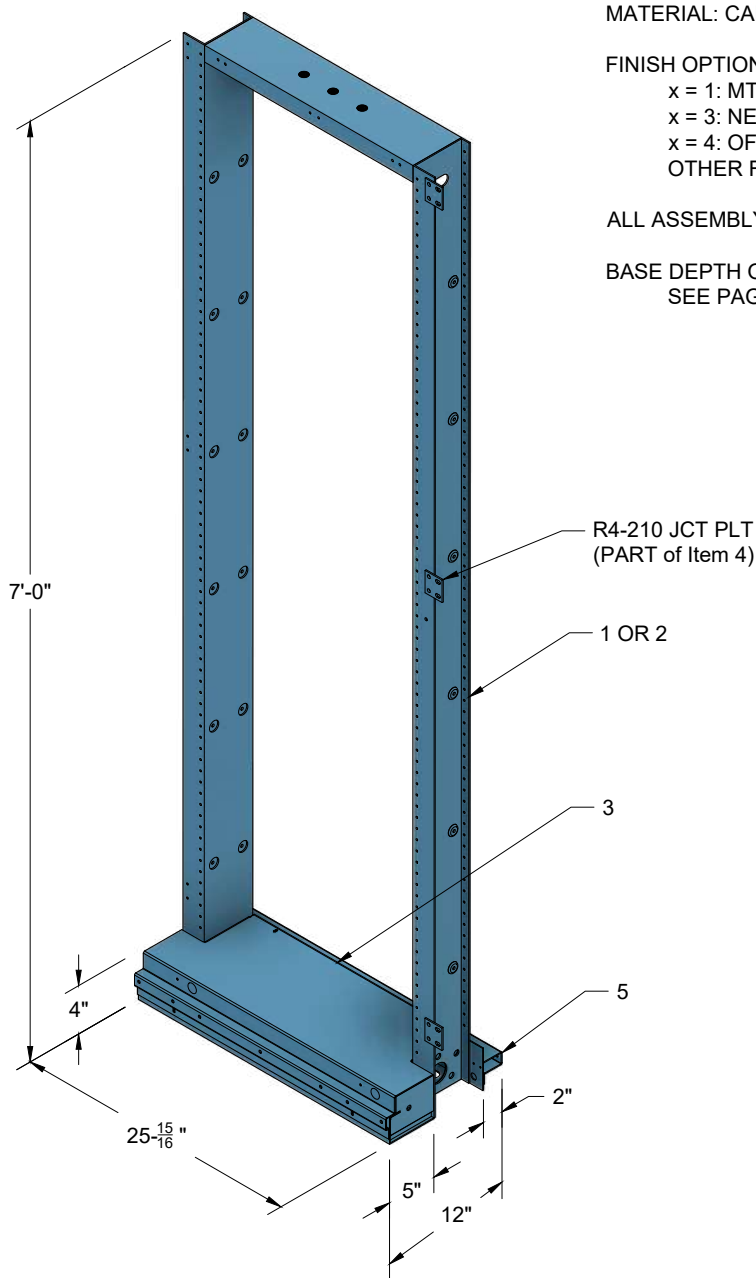
MATERIAL: CARBON STEEL

FINISH OPTIONS:

- x = 1: MTP GRAY
- x = 3: NETWORK BLUE
- x = 4: OFF WHITE
- OTHER FINISHES AVAILABLE

ALL ASSEMBLY HARDWARE INCLUDED

BASE DEPTH OPTIONS:
 SEE PAGE 5-02 FOR CODES



FOR HEIGHTS OVER 7' ORDER BAY
 EXTENDER: SEE 5-13

MTG PATTERN	PART #
1.75 x 23 (44)	R8R084231R-x
2.00 x 23 (38)	R8R084232R-x

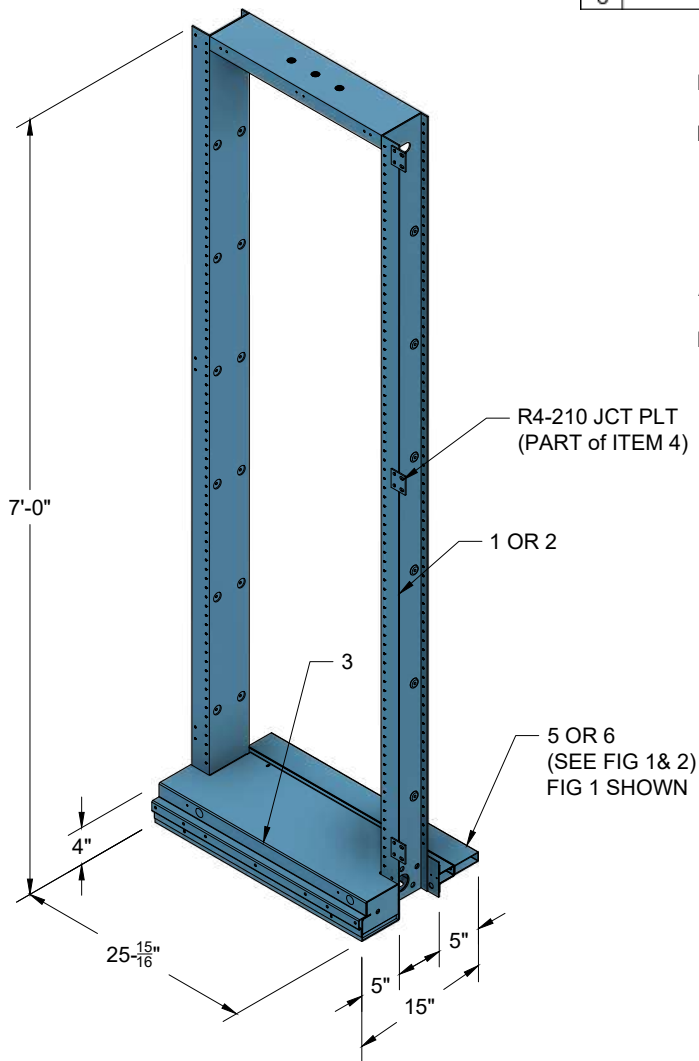
(02/27/23)



Moreng Telecom Products
 973-237-2001
 www.morengtel.com

NETWORK BAYS
 (15 x 26 FOOTPRINT)
 CLOSED DUCT
 7' HIGH

STOCK LIST					
ITEM#	Description	R8R084231B-x	R8R084232B-x	R8R084231C-x	R8R084232C-x
1	R8 BAY, 7" x 23 - REAR CABLED-1.75	1		1	
2	R8 BAY, 7" x 23 - REAR CABLED-2.00		1		1
3	R8 COVER, FRONT 5" x 23	1	1	1	1
4	JUNCTION KIT	1	1	1	1
5	5" GUARD RAIL KIT			1	1
6	5" BASE EXTENDER	1	1		



MATERIAL: CARBON STEEL

FINISH OPTIONS:
 x = 1: MTP GRAY
 x = 3: NETWORK BLUE
 x = 4: OFF WHITE
 OTHER FINISHES AVAILABLE

ALL ASSEMBLY HARDWARE INCLUDED

BASE DEPTH OPTIONS:
 SEE PAGE 5-02 FOR CODES

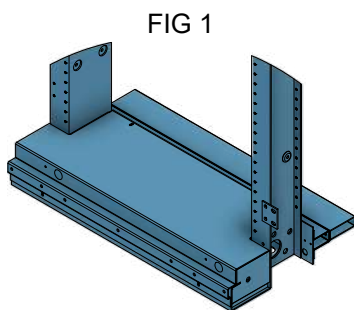


FIG 1

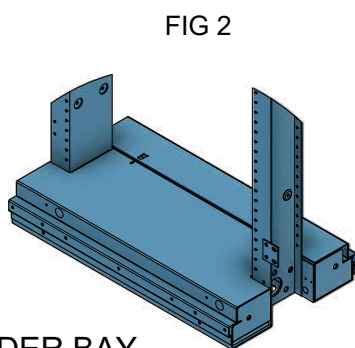


FIG 2

FOR HEIGHTS OVER 7' ORDER BAY
 EXTENDER: SEE 5-13

MTG PATTERN	FIG	PART#
1.75 x 23 (44)	2	R8R084231B-x
2.00 x 23 (38)	2	R8R084232B-x
1.75 x 23 (44)	1	R8R084231C-x
2.00 x 23 (38)	1	R8R084232C-x

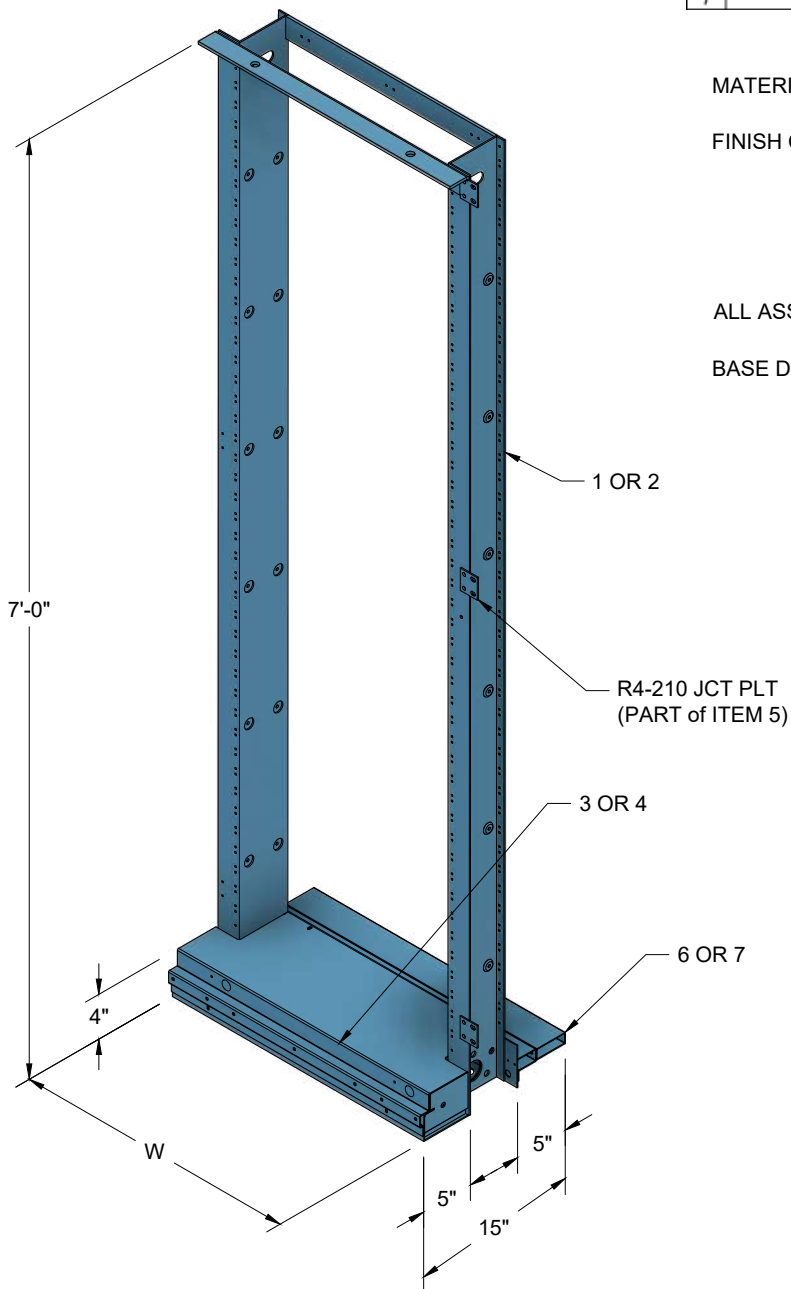
(02/27/23)



Moreng Telecom Products
 973-237-2001
 www.morengtel.com

NETWORK BAYS
 (15 x W FOOTPRINT)
 CLOSED DUCT - OPEN TOP
 7' HIGH

STOCK LIST			
ITEM#	Description	R8R084191N-x	R8R084231N-x
1	R8 BAY, 7" x 19 - REAR CABLED-1.75	1	
2	R8 BAY, 7" x 23 - REAR CABLED-1.75		1
3	R8 COVER, FRONT 5" x 19	1	
4	R8 COVER, FRONT 5" x 23		1
5	JUNCTION KIT	1	1
6	5" x 19 GUARD RAIL KIT	1	
7	5" x 23 GUARD RAIL KIT		1



MATERIAL: CARBON STEEL

FINISH OPTIONS:

- x = 1: MTP GRAY
- x = 3: NETWORK BLUE
- x = 4: OFF WHITE
- OTHER FINISHES AVAILABLE

ALL ASSEMBLY HARDWARE INCLUDED

BASE DEPTH OPTIONS:
 SEE PAGE 5-02 FOR CODES

7' SVGAL COLOCATION

MTG PATTERN	W	PART #
1.75 x 19 (44)	23	R8R084191N-x
1.75 X 23 (44)	26	R8R084231N-x

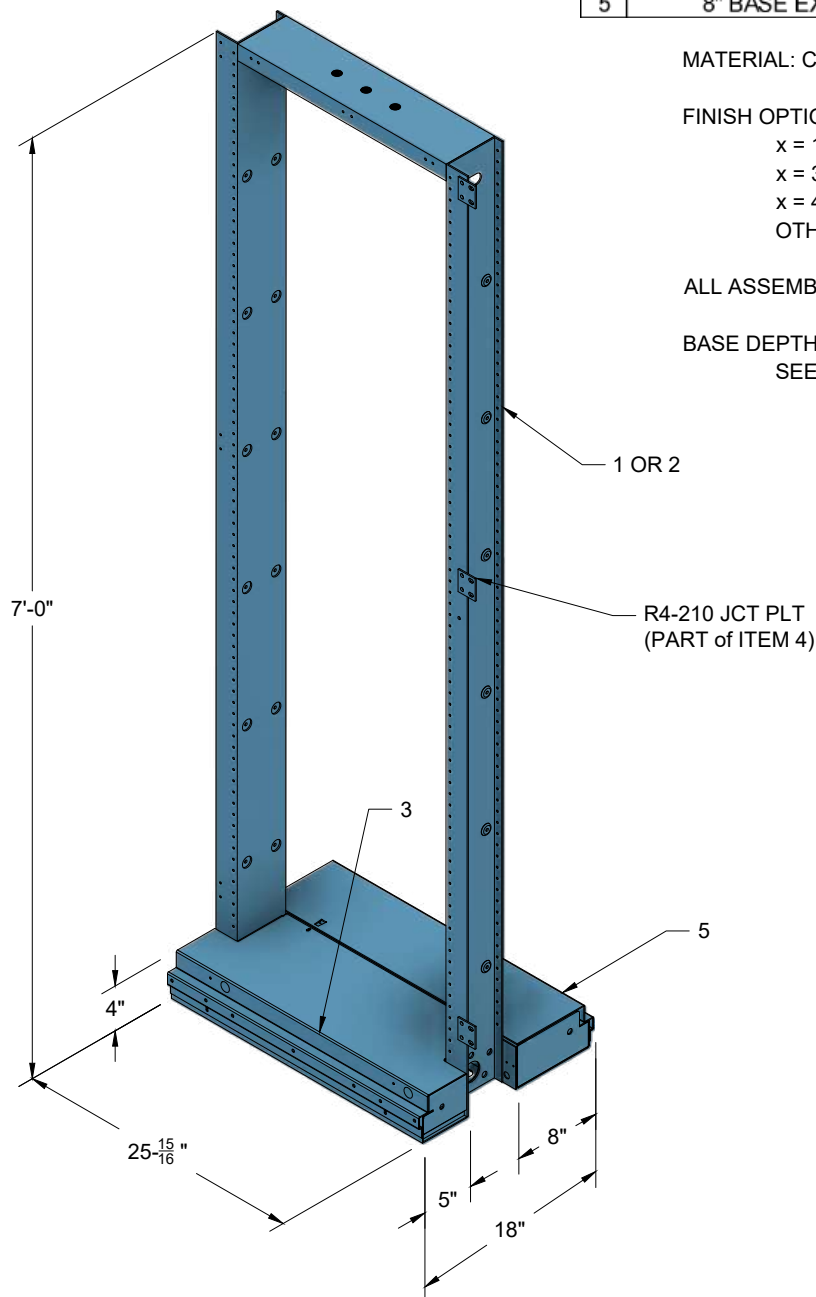
(02/27/23)



Moreng Telecom Products
 973-237-2001
 www.morengtel.com

NETWORK BAYS
 (18 x 26 FOOTPRINT)
 CLOSED DUCT
 7' HIGH

STOCK LIST			
ITEM#	Description	R8R084231J-x	R8R084232J-x
1	R8 BAY, 7" x 23 - REAR CABLED-1.75	1	
2	R8 BAY, 7" x 23 - REAR CABLED-2.00		1
3	R8 COVER, FRONT 5" X 23"	1	1
4	JUNCTION KIT	1	1
5	8" BASE EXTENDER KIT	1	1



MATERIAL: CARBON STEEL

FINISH OPTIONS:

- x = 1: MTP GRAY
 - x = 3: NETWORK BLUE
 - x = 4: OFF WHITE
- OTHER FINISHES AVAILABLE

ALL ASSEMBLY HARDWARE INCLUDED

BASE DEPTH OPTIONS:
 SEE PAGE 5-02 FOR CODES

FOR HEIGHTS OVER 7' ORDER BAY
 EXTENDER: SEE 5-13

MTG PATTERN	PART #
1.75 x 23 (44)	R8R084231J-x
2.00 x 23 (38)	R8R084232J-x

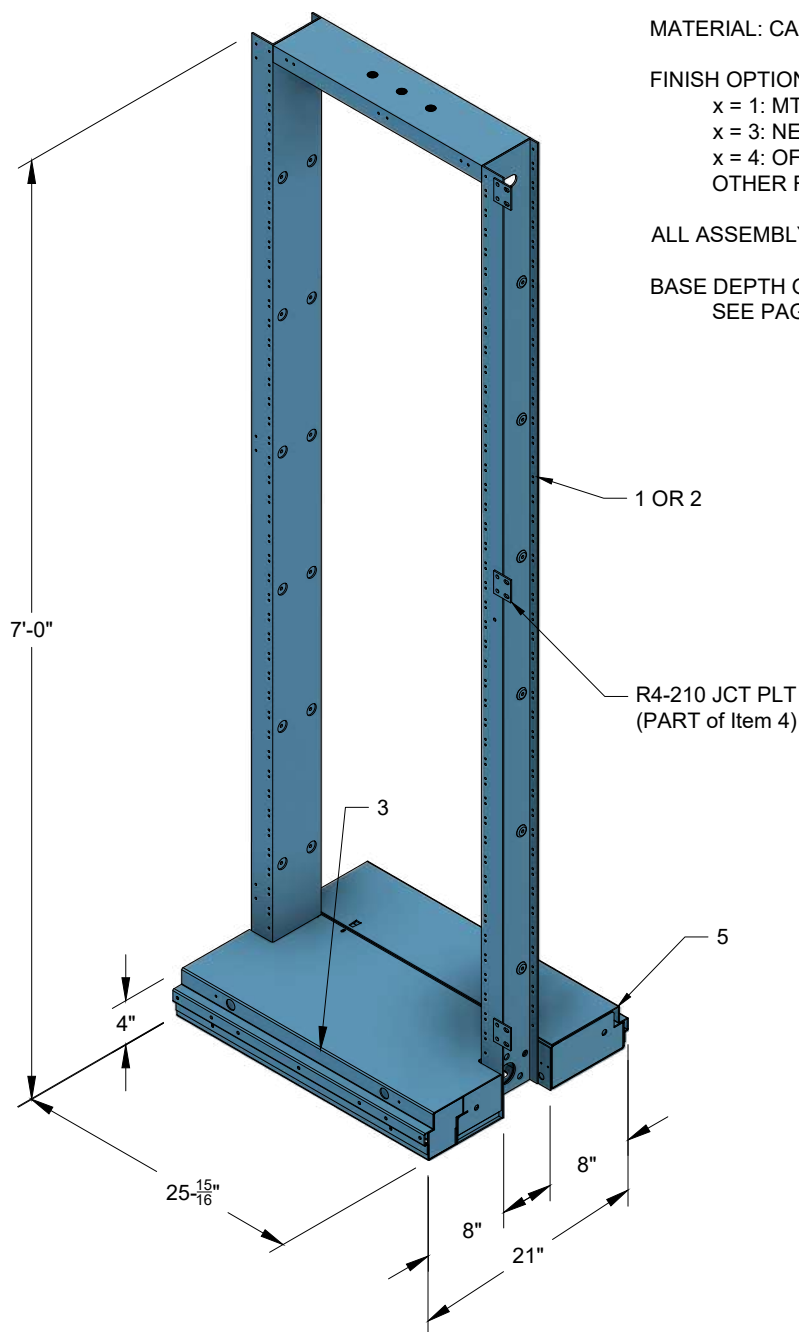
(02/27/23)



Moreng Telecom Products
 973-237-2001
 www.morengtel.com

NETWORK BAYS
 (21 x 26 FOOTPRINT)
 CLOSED DUCT IN REAR
 7' HIGH

STOCK LIST			
ITEM#	Description	R8R084231W-x	R8R084232W-x
1	R8 BAY, 7" x 23 - REAR CABLED-1.75	1	
2	R8 BAY, 7" x 23 - REAR CABLED-2.00		1
3	R8 COVER, FRONT EXT 8" x 23	1	1
4	JUNCTION KIT	1	1
5	8" BASE EXTENDER KIT	1	1



MATERIAL: CARBON STEEL

FINISH OPTIONS:
 x = 1: MTP GRAY
 x = 3: NETWORK BLUE
 x = 4: OFF WHITE
 OTHER FINISHES AVAILABLE

ALL ASSEMBLY HARDWARE INCLUDED

BASE DEPTH OPTIONS:
 SEE PAGE 5-02 FOR CODES

FOR HEIGHTS OVER 7' ORDER BAY
 EXTENDER: SEE 5-13

MTG PATTERN	PART #
1.75 x 23 (44)	R8R084231W-x
2.00 x 23 (38)	R8R084232W-x

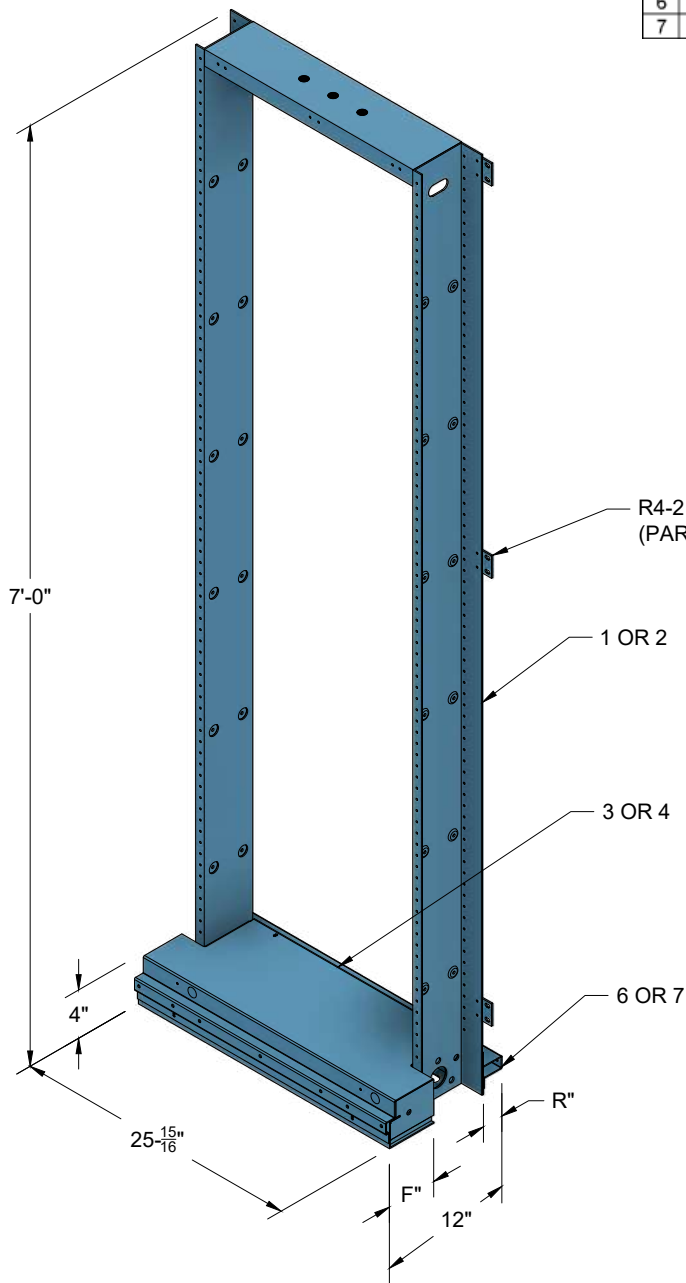
(02/27/23)



Moreng Telecom Products
 973-237-2001
 www.morengtel.com

NETWORK BAYS
 (12 x 26 FOOTPRINT)
 OPEN DUCT IN FRONT
 7' HIGH

STOCK LIST					
ITEM#	Description	R8R084231-x	R8R084232-x	R8R084231D-x	R8R084232D-x
1	R8 BAY, 7" x 23 - FRONT CABLED-1.75	1		1	
2	R8 BAY, 7" x 23 - FRONT CABLED-2.00		1		1
3	R8 COVER, FRONT 5" X 23			1	1
4	R8 COVER, FRONT 6" X 23	1	1		
5	JUNCTION KIT	1	1	1	1
6	GUARD RAIL 2"			1	1
7	GUARD RAIL 1"	1	1		



MATERIAL: CARBON STEEL

FINISH OPTIONS:

- x = 1: MTP GRAY
- x = 3: NETWORK BLUE
- x = 4: OFF WHITE
- OTHER FINISHES AVAILABLE

ALL ASSEMBLY HARDWARE INCLUDED

BASE DEPTH OPTIONS:
 SEE PAGE 5-02 FOR CODES

FOR HEIGHTS OVER 7' ORDER BAY
 EXTENDER: SEE 5-13

* DSX CONFIG
 (02/27/23)

MTG PATTERN	F	R	PART #
1.75 x 23 (44)	6	1	R8R084231-x
2.00 x 23 (38)	6	1	R8R084232-x
1.75 x 23 (44)	5	2	R8R084231D-x
2.00 x 23 (38)	5	2	R8R084232D-x



Moreng Telecom Products
 973-237-2001
 www.morengtel.com

NETWORK BAYS
 (12 x 22 FOOTPRINT)
 CLOSED DUCT
 7' HIGH

STOCK LIST			
ITEM#	Description	R8R084191R-x	R8R084192R-x
1	R8 BAY, 7" x 19 - REAR CABLED-1.75	1	
2	R8 BAY, 7" x 19 - REAR CABLED-2.00		1
3	R8 COVER, FRONT 5" x 19	1	1
4	JUNCTION KIT	1	1
5	GUARD RAIL 2"	1	1

MATERIAL: CARBON STEEL

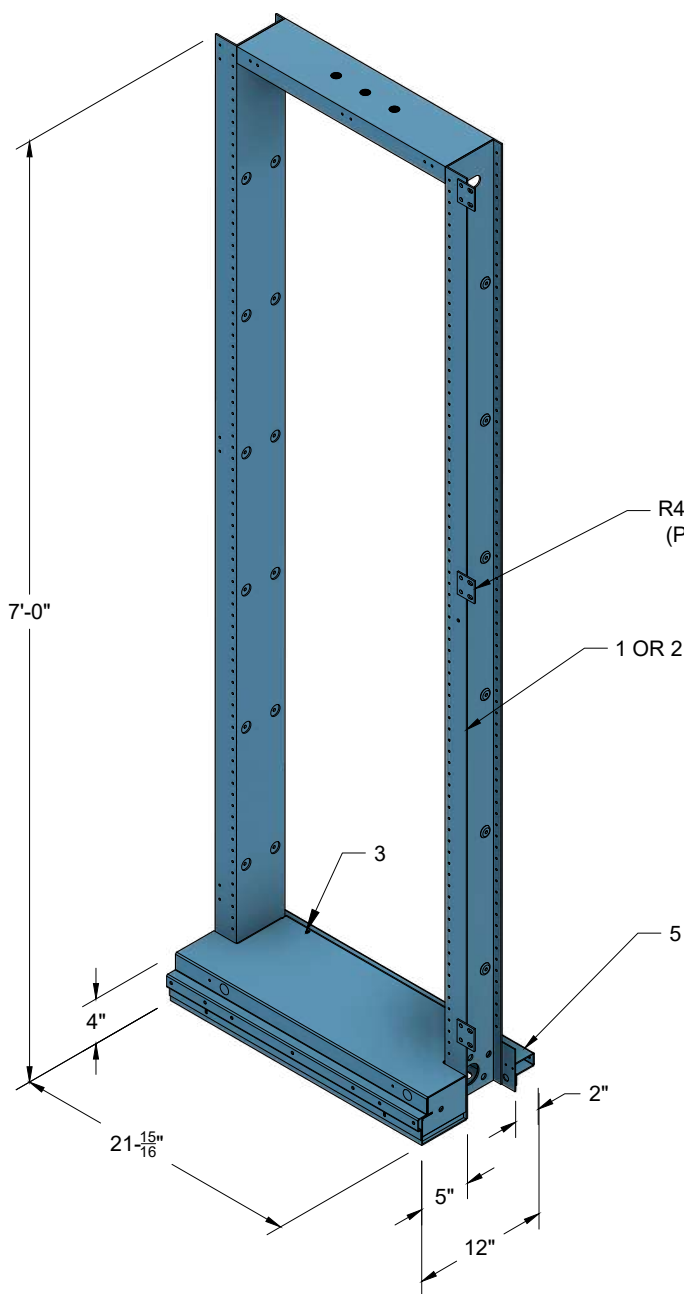
FINISH OPTIONS:

- x = 1: MTP GRAY
- x = 3: NETWORK BLUE
- x = 4: OFF WHITE
- OTHER FINISHES AVAILABLE

ALL ASSEMBLY HARDWARE INCLUDED

BASE DEPTH OPTIONS:

SEE PAGE 5-02 FOR CODES



MTG PATTERN	PART #
1.75 x 19 (44)	R8R084191R-x
2.00 x 19 (38)	R8R084192R-x

(02/27/23)



Moreng Telecom Products
 973-237-2001
www.morengtel.com

NETWORK BAYS
 (12 x 22 FOOTPRINT)
 OPEN DUCT IN FRONT
 7' HIGH

STOCK LIST

ITEM#	Description	R8R084191-x	R8R084192-x	R8R084191D-x	R8R084192D-x
1	R8 BAY, 7" x 19 - FRONT CABLED-1.75	1		1	
2	R8 BAY, 7" x 19 - FRONT CABLED-2.00		1		1
3	R8 COVER , FRONT 5" x 19			1	1
4	R8 COVER , FRONT 6" x 19	1	1		
5	JUNCTION KIT	3	3	3	3
6	GUARD RAIL 2"			1	1
7	GUARD RAIL 1"	1	1		

MATERIAL: CARBON STEEL

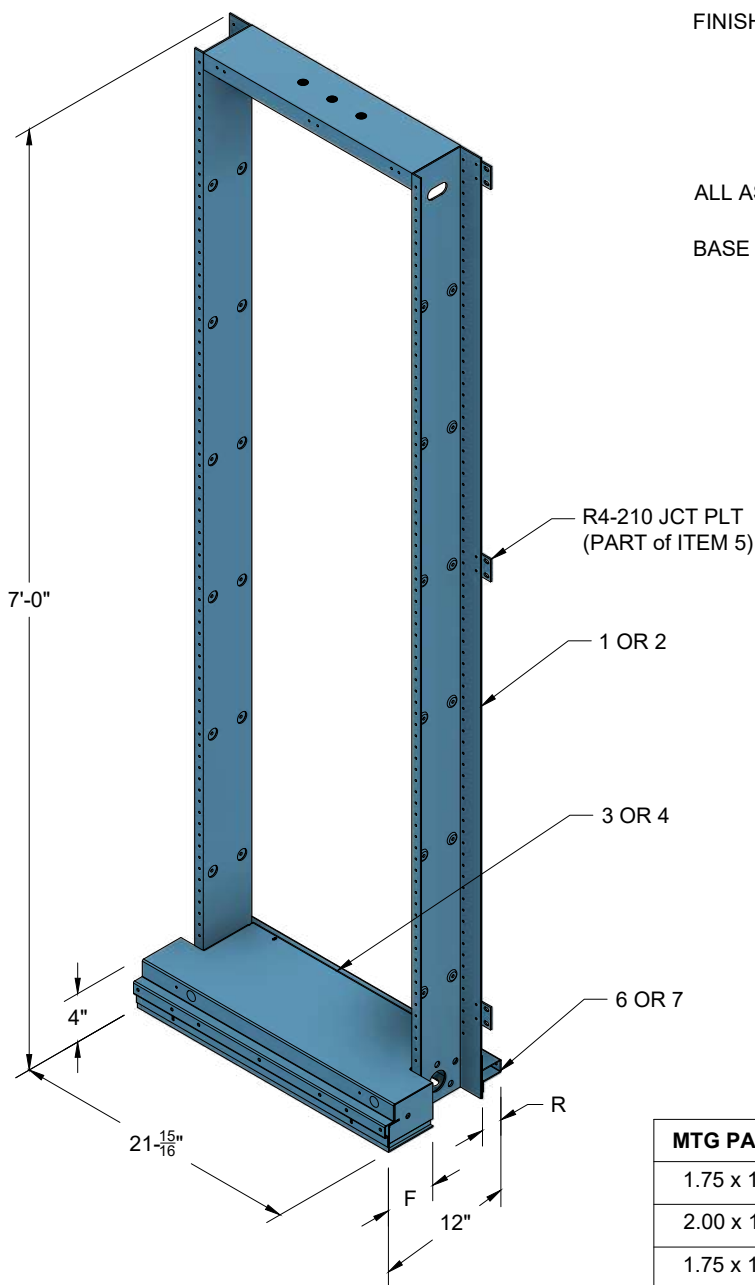
FINISH OPTIONS:

- x = 1: MTP GRAY
- x = 3: NETWORK BLUE
- x = 4: OFF WHITE
- OTHER FINISHES AVAILABLE

ALL ASSEMBLY HARDWARE INCLUDED

BASE DEPTH OPTIONS:

SEE PAGE 5-02 FOR CODES



MTG PATTERN	F	R	PART #
1.75 x 19 (44)	6	1	R8R084191-x
2.00 x 19 (38)	6	1	R8R084192-x
1.75 x 19 (44)	5	2	R8R084191D-x
2.00 x 19 (38)	5	2	R8R084192D-x

(02/27/23)



Moreng Telecom Products
 973-237-2001
 www.morengtel.com

NETWORK BAY EXTENDERS (SEISMIC ZONES 0-2)

MATERIAL: CARBON STEEL

FINISH OPTIONS:

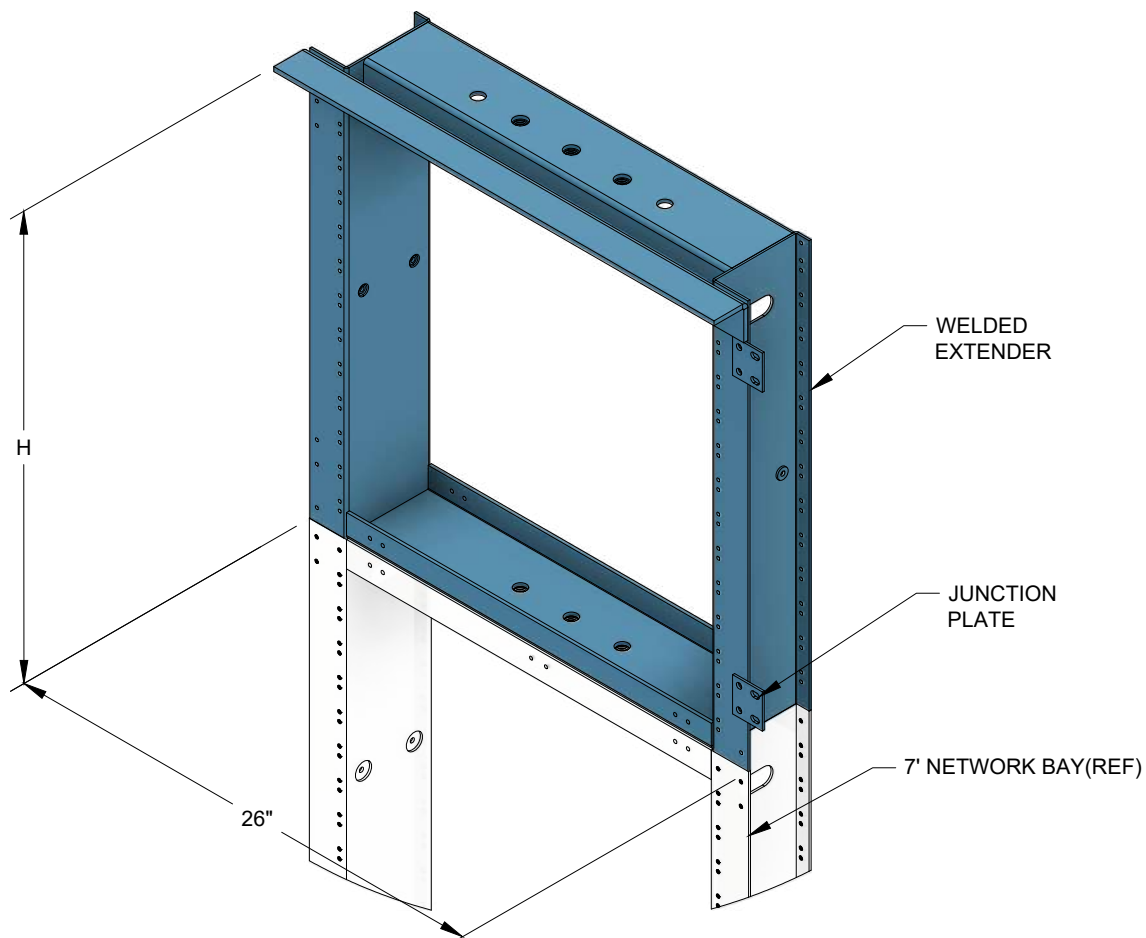
x = 1: MTP GRAY

x = 3: NETWORK BLUE

x = 4: OFF WHITE

OTHER FINISHES AVAILABLE

ALL ASSEMBLY HARDWARE INCLUDED



H	MTG PATTERN	PART #
12	1.75 X 23	R8R012231-x
12	2.00 X 23	R8R012232-x
24	1.75 X 23	R8R024231-x
24	2.00 X 23	R8R024232-x
54	1.75 X 23	R8R054231-x
54	2.00 X 23	R8R054232-x
56	1.75 X 23	R8R056231-x
56	2.00 X 23	R8R056232-x

(04/25/23)



Moreng Telecom Products
973-237-2001
www.morengtel.com

NETWORK BAY SPACERS (10" DEPTH: 5 - 5 - 0 CONFIG)

MATERIAL: CARBON STEEL

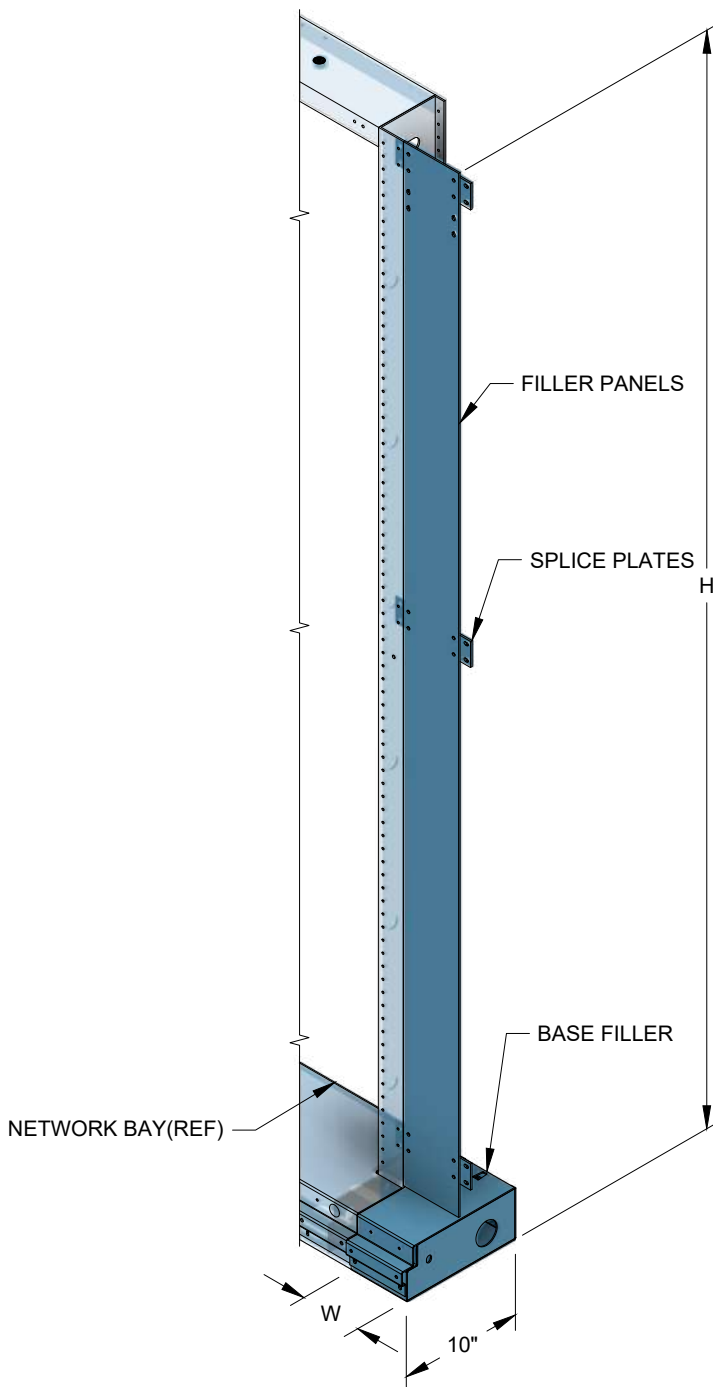
FINISH OPTIONS:

- x = 1: MTP GRAY
- x = 3: NETWORK BLUE
- x = 4: OFF WHITE
- OTHER FINISHES AVAILABLE

ALL ASSEMBLY HARDWARE INCLUDED

BASE DEPTH OPTIONS:

SEE PAGE 5-03 FOR CODES



"H"	"W"	PART #
84	2.5	R8SP0842A-x
84	5.0	R8SP0845A-x
84	10	R8SP08410A-x
108	2.5	R8SP1082A-x
108	5.0	R8SP1085A-x
108	10	R8SP10810A-x
138	2.5	R8SP1382A-x
138	5.0	R8SP1385A-x
138	10	R8SP13810A-x

(04/25/23)



Moreng Telecom Products
973-237-2001
www.morengtel.com

NETWORK BAY SPACERS (12" DEPTH: 5 - 5 - 2 CONFIG)

MATERIAL: CARBON STEEL

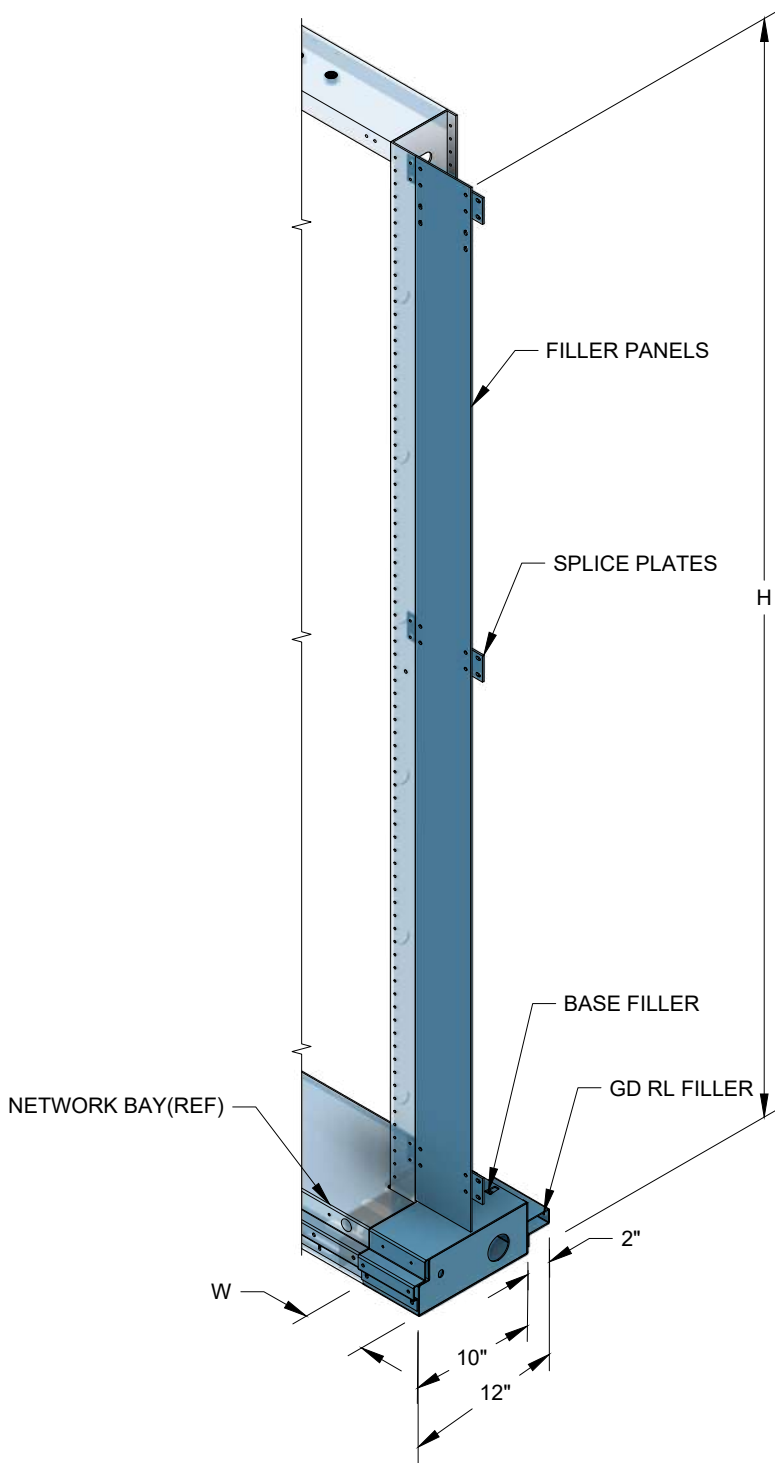
FINISH OPTIONS:

- x = 1: MTP GRAY
- x = 3: NETWORK BLUE
- x = 4: OFF WHITE
- OTHER FINISHES AVAILABLE

ALL ASSEMBLY HARDWARE INCLUDED

BASE DEPTH OPTIONS:

SEE PAGE 5-03 FOR CODES



"H"	"W"	PART #
84	2.5	R8SP0842R-x
84	5.0	R8SP0845R-x
84	10	R8SP08410R-x
108	2.5	R8SP1082R-x
108	5.0	R8SP1085R-x
108	10	R8SP10810R-x
138	2.5	R8SP1382R-x
138	5.0	R8SP1385R-x
138	10	R8SP13810R-x

(04/25/23)



Moreng Telecom Products
973-237-2001
www.morengtel.com

NETWORK BAY SPACERS (12" DEPTH: 6 - 5 - 1 CONFIG)

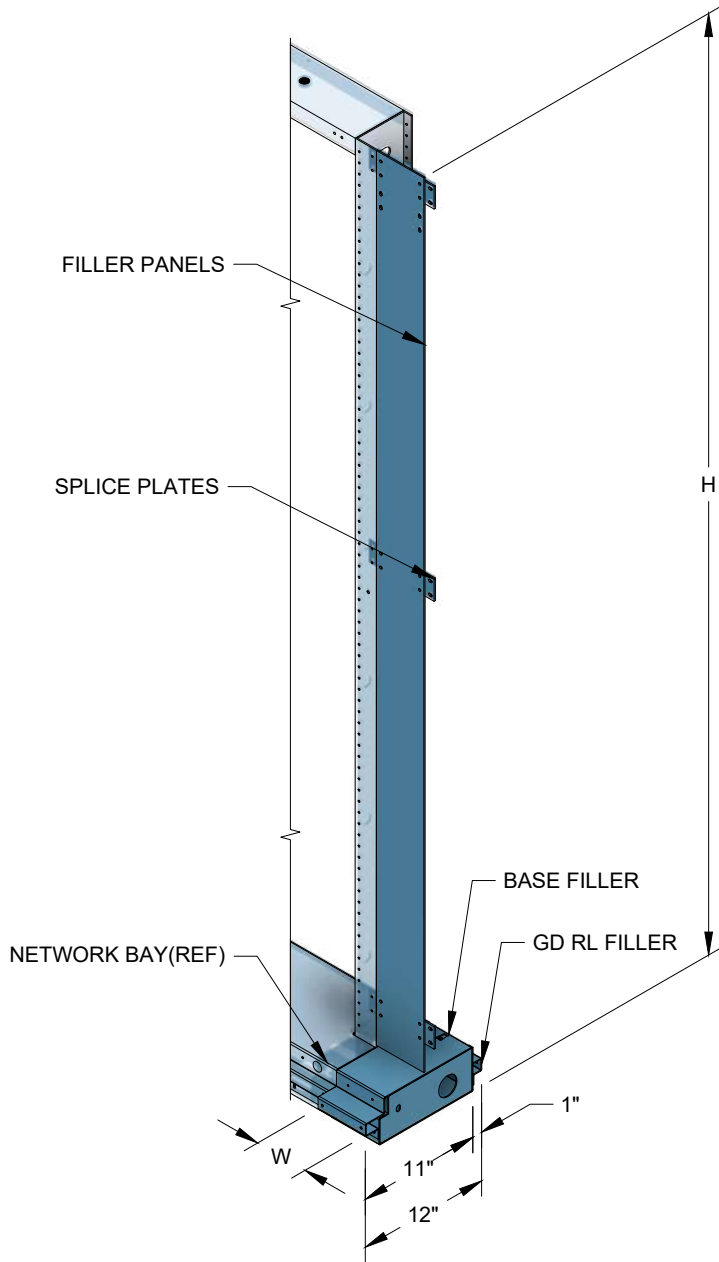
MATERIAL: CARBON STEEL

FINISH OPTIONS:

- x = 1: MTP GRAY
- x = 3: NETWORK BLUE
- x = 4: OFF WHITE
- OTHER FINISHES AVAILABLE

ALL ASSEMBLY HARDWARE INCLUDED

BASE DEPTH OPTIONS:
SEE PAGE 5-03 FOR CODES



"H"	"W"	PART #
84	2.5	R8SP0842-x
84	5.0	R8SP0845-x
84	10	R8SP08410-x
108	2.5	R8SP1082-x
108	5.0	R8SP1085-x
108	10	R8SP10810-x
138	2.5	R8SP1382-x
138	5.0	R8SP1385-x
138	10	R8SP13810-x

(04/25/23)



Moreng Telecom Products
973-237-2001
www.morengtel.com

NETWORK BAY SPACERS (15" DEPTH: 5 - 5 - CONFIG)

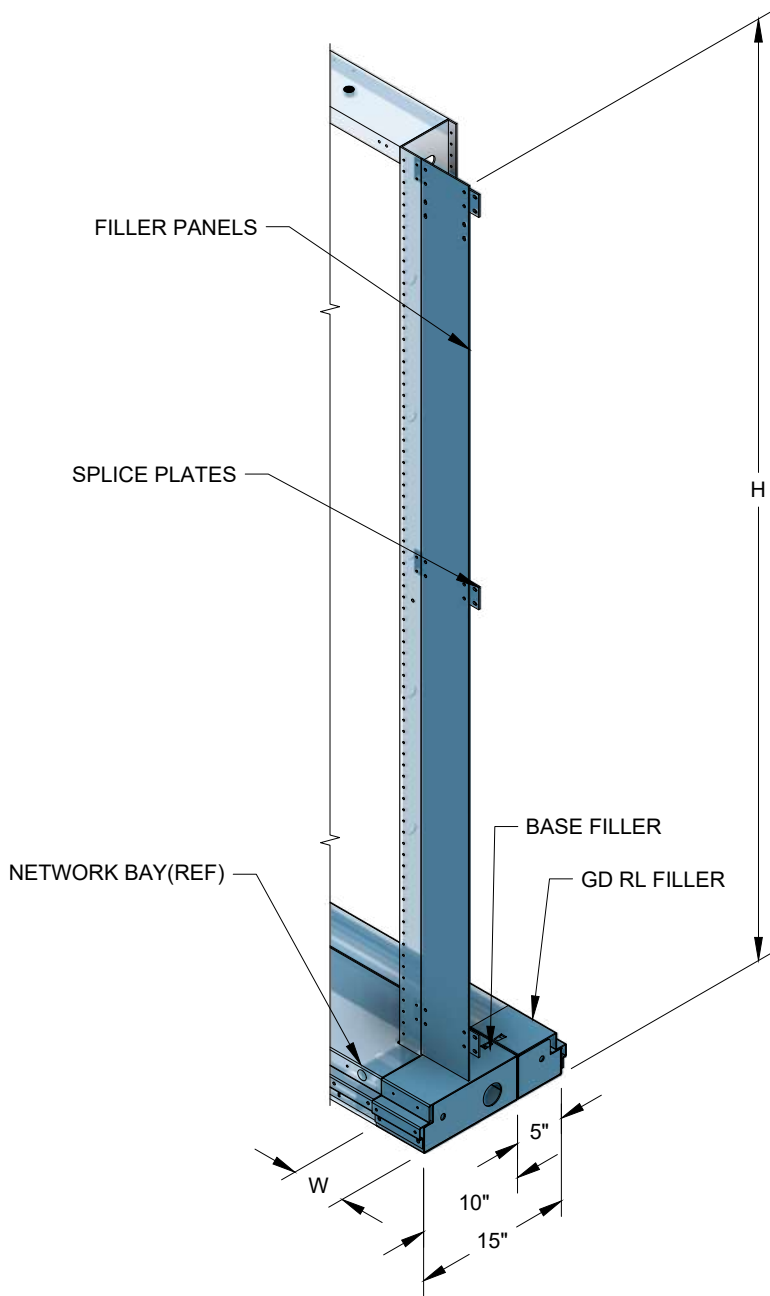
MATERIAL: CARBON STEEL

FINISH OPTIONS:

- x = 1: MTP GRAY
- x = 3: NETWORK BLUE
- x = 4: OFF WHITE
- OTHER FINISHES AVAILABLE

ALL ASSEMBLY HARDWARE INCLUDED

BASE DEPTH OPTIONS:
SEE PAGE 5-03 FOR CODES



"H"	"W"	PART #
84	2.5	R8SP0842B-x
84	5.0	R8SP0845B-x
84	10	R8SP08410B-x
108	2.5	R8SP1082B-x
108	5.0	R8SP1085B-x
108	10	R8SP10810B-x
138	2.5	R8SP1382B-x
138	5.0	R8SP1385B-x
138	10	R8SP13810B-x

(04/25/23)



Moreng Telecom Products
973-237-2001
www.morengtel.com

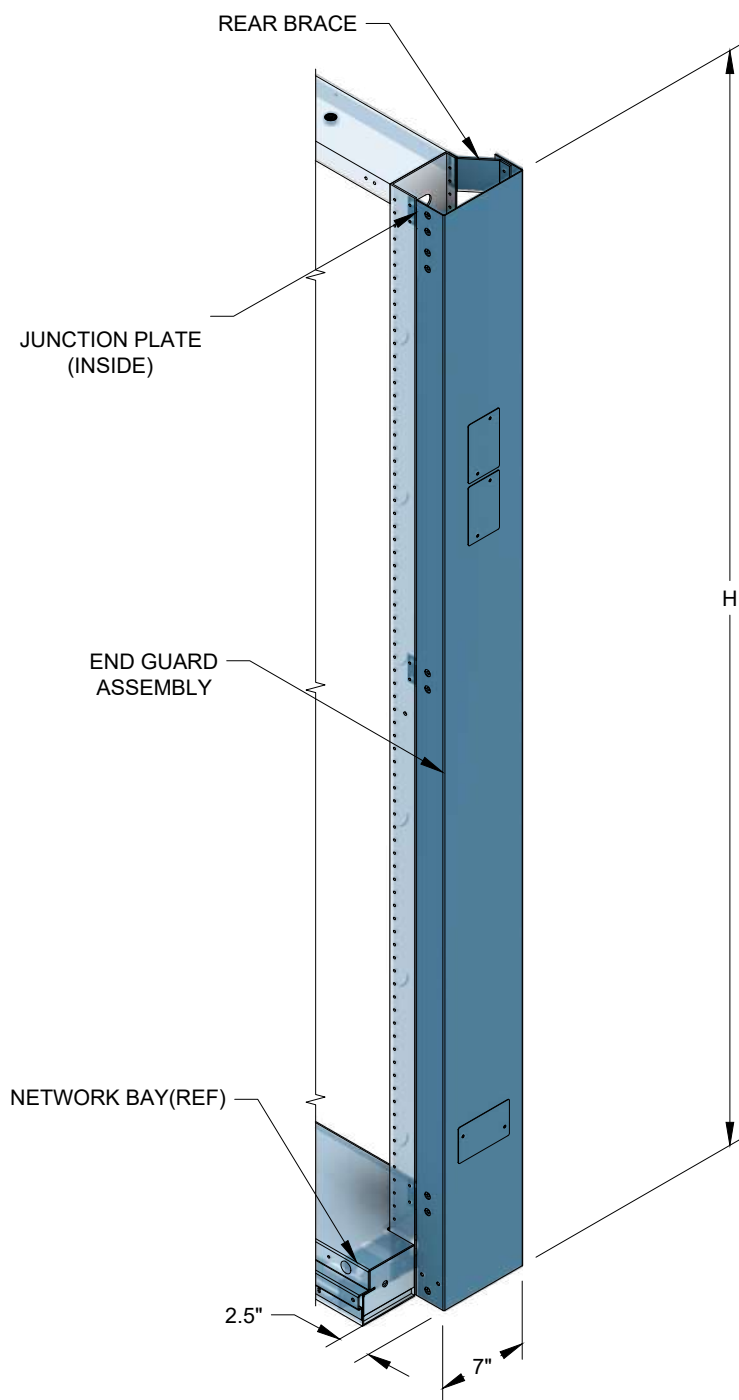
NETWORK BAY END GUARDS (NO SPACER)

MATERIAL: CARBON STEEL

FINISH OPTIONS:

- x = 1: MTP GRAY
- x = 3: NETWORK BLUE
- x = 4: OFF WHITE
- OTHER FINISHES AVAILABLE

ALL ASSEMBLY HARDWARE INCLUDED



"H"	PART #
84	R8E084-x
108	R8E108-x
138	R8E138-x

(04/25/23)



Moreng Telecom Products
973-237-2001
www.morengtel.com

NETWORK BAY END GUARDS (WITH SPACER - LESS BASE)

MATERIAL: CARBON STEEL

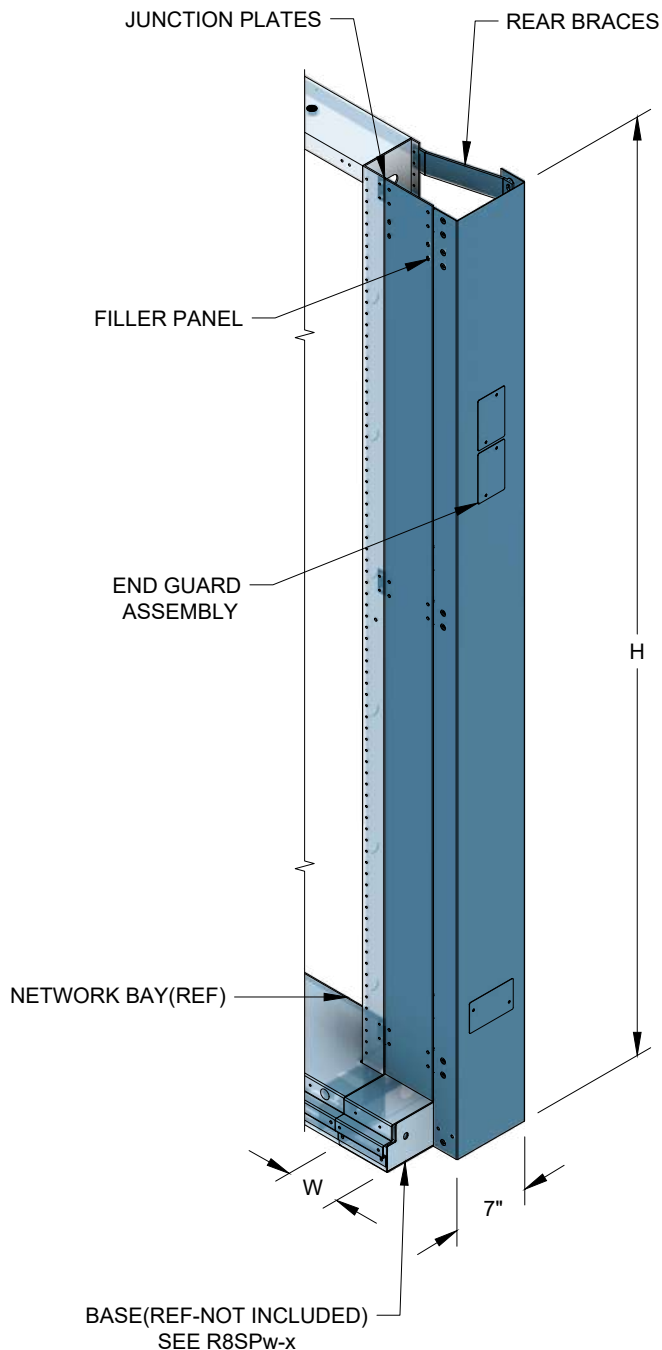
FINISH OPTIONS:

- x = 1: MTP GRAY
- x = 3: NETWORK BLUE
- x = 4: OFF WHITE
- OTHER FINISHES AVAILABLE

ALL ASSEMBLY HARDWARE INCLUDED

BASE DEPTH OPTIONS:

SEE PAGE 5-03 FOR CODES



"H"	"W"	PART #
84	2.5	R8ES0842-x
84	5.0	R8ES0845-x
84	10	R8ES08410-x
108	2.5	R8ES1082-x
108	5.0	R8ES1085-x
108	10	R8ES10810-x
138	2.5	R8ES1382-x
138	5.0	R8ES1385-x
138	10	R8ES13810-x

(04/25/23)



Moreng Telecom Products
973-237-2001
www.morengtel.com

NETWORK BAY END GUARD SPACER KIT - 12" DEEP (WITH SPACER & BASE - LESS END GUARD)

MATERIAL: CARBON STEEL

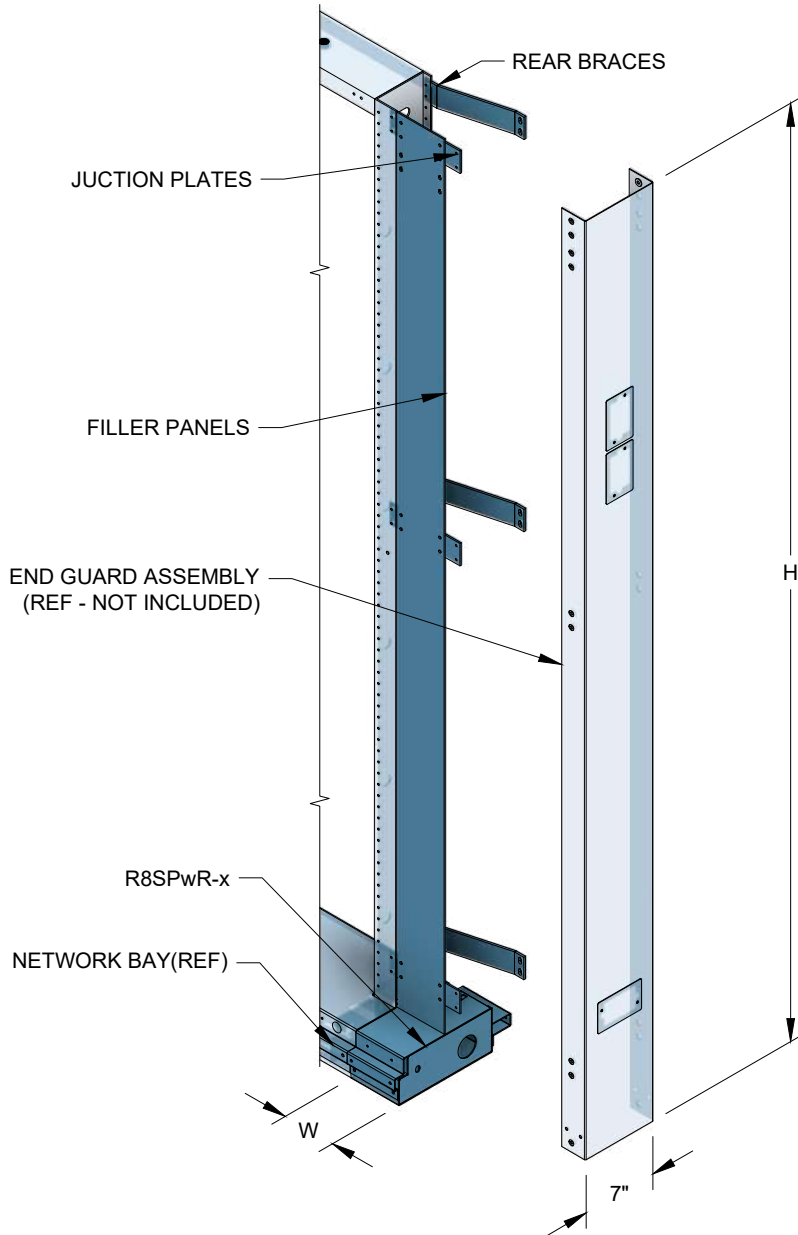
FINISH OPTIONS:

- x = 1: MTP GRAY
- x = 3: NETWORK BLUE
- x = 4: OFF WHITE
- OTHER FINISHES AVAILABLE

ALL ASSEMBLY HARDWARE INCLUDED

BASE DEPTH OPTIONS:

SEE PAGE 5-03 FOR CODES



"H"	"W"	PART #
84	2.5	R8ES0842R-xX
84	5.0	R8ES0845R-xX
84	10	R8ES08410R-xX
108	2.5	R8ES1082R-xX
108	2.5	R8ES1085R-xX
108	10	R8ES10810R-xX
138	2.5	R8ES1382R-xX
138	2.5	R8ES1385R-xX
138	10	R8ES13810R-xX

(04/25/23)



Moreng Telecom Products
973-237-2001
www.morengtel.com

NETWORK BAY END GUARD SPACER KIT - 15" DEEP (WITH SPACER & BASE - LESS END GUARD)

MATERIAL: CARBON STEEL

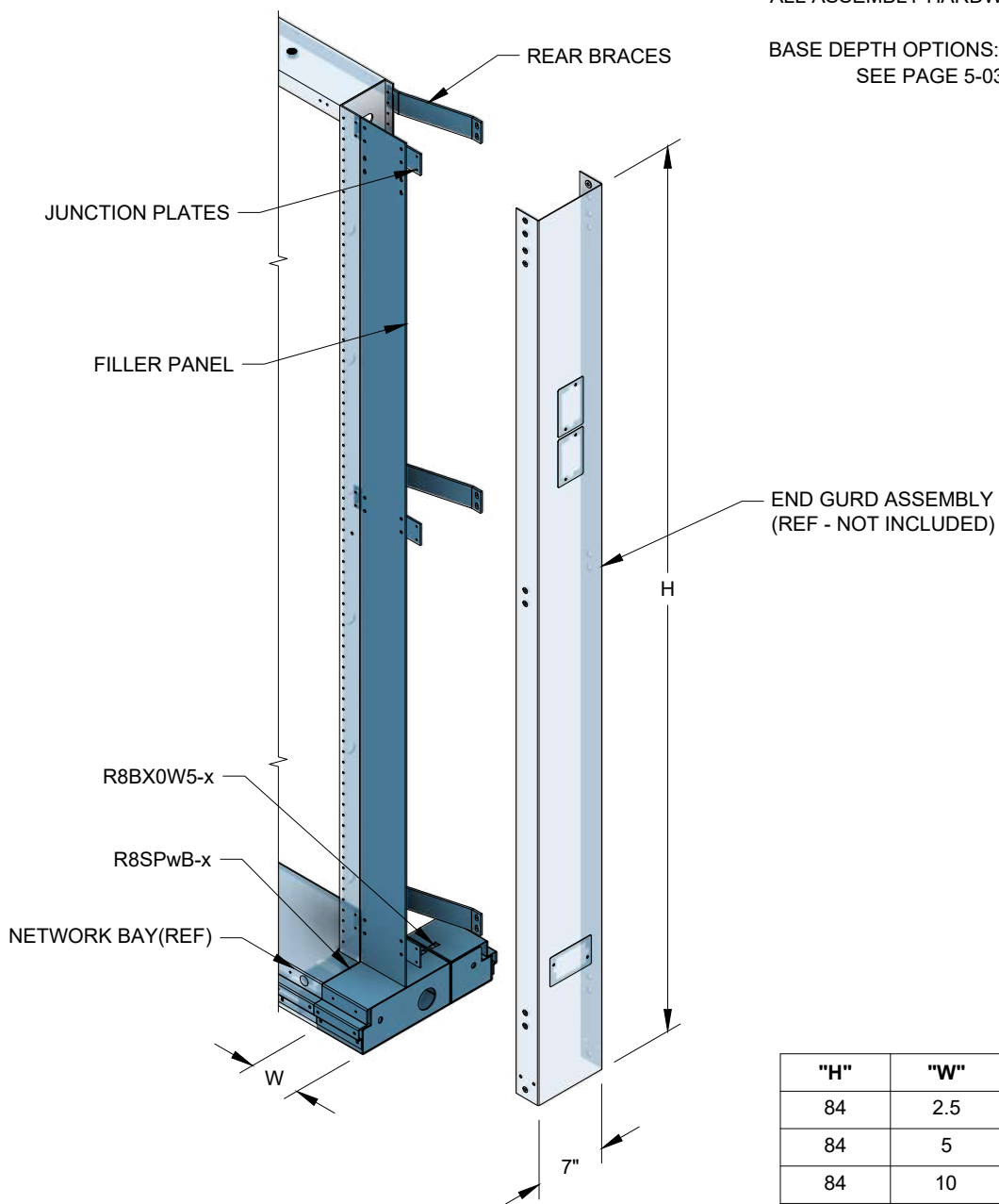
FINISH OPTIONS:

- x = 1: MTP GRAY
- x = 3: NETWORK BLUE
- x = 4: OFF WHITE
- OTHER FINISHES AVAILABLE

ALL ASSEMBLY HARDWARE INCLUDED

BASE DEPTH OPTIONS:

SEE PAGE 5-03 FOR CODES



"H"	"W"	PART #
84	2.5	R8ES0842B-xX
84	5	R8ES0845B-xX
84	10	R8ES08410B-xX
108	2.5	R8ES1082B-xX
108	5	R8ES1085B-xX
108	10	R8ES10810B-xX
138	2.5	R8ES1382B-xX
138	5.0	R8ES1385B-xX
138	10	R8ES13810B-xX

(04/25/23)



Moreng Telecom Products
973-237-2001
www.morengtel.com

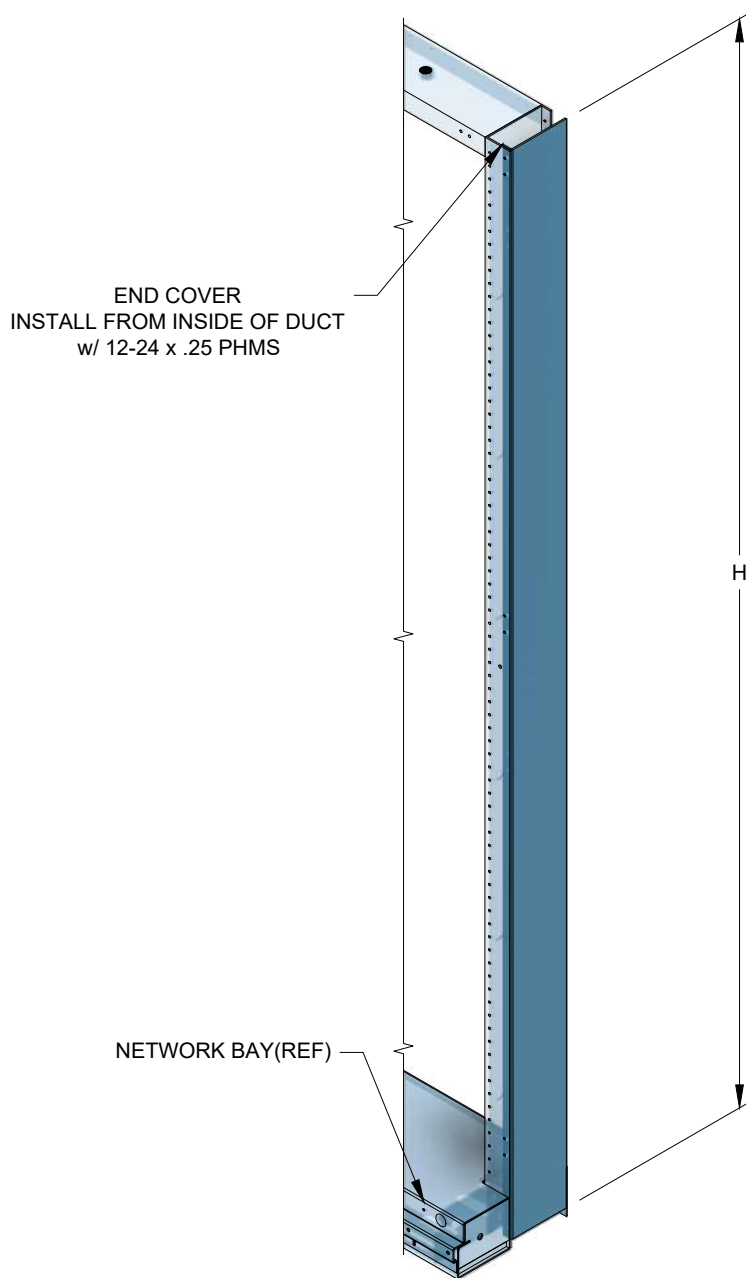
NETWORK BAY END COVERS

MATERIAL: CARBON STEEL

FINISH OPTIONS:

- x = 1: MTP GRAY
- x = 3: NETWORK BLUE
- x = 4: OFF WHITE
- OTHER FINISHES AVAILABLE

ALL ASSEMBLY HARDWARE INCLUDED



"H"	PART #
84	R8EC084-x
108	R8EC108-x
138	R8EC138-x

(04/25/23)



Moreng Telecom Products
973-237-2001
www.morengtel.com

R7R NETWORK BAYS - SEISMIC
 (10 x 26 FOOTPRINT)
 CLOSED DUCT
 7' HIGH

STOCK LIST			
ITEM#	Description	R7R084231A-x	R7R084232A-x
1	R7 BAY, 7" x 23 - REAR CABLED-1.75	1	
2	R7 BAY, 7" x 23 - REAR CABLED-2.00		1
3	R7 COVER, FRONT 5" x 23	1	1
4	JUNCTION KIT	1	1

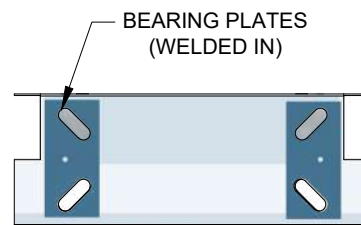
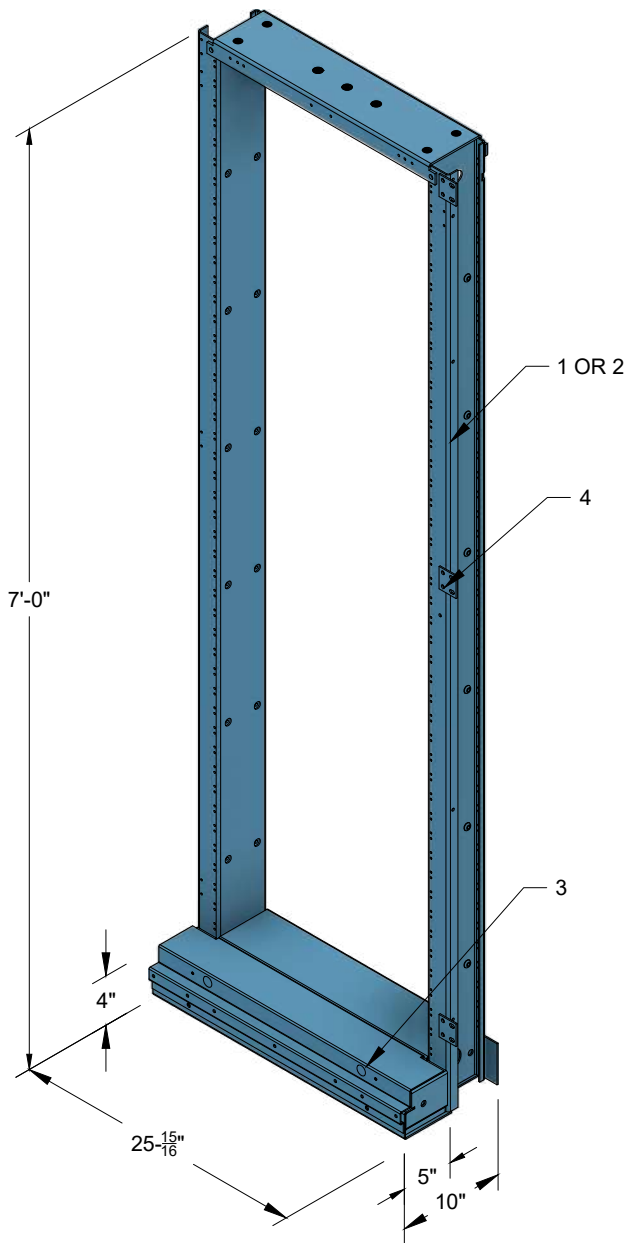
MATERIAL: CARBON STEEL

FINISH OPTIONS:

- x = 1: MTP GRAY
- x = 3: NETWORK BLUE
- x = 4: OFF WHITE
- OTHER FINISHES AVAILABLE

ALL ASSEMBLY HARDWARE INCLUDED

BASE DEPTH OPTIONS:
 SEE PAGE 5-02 FOR CODES



FLOOR MOUNTING
 (PER GR-63-CORE-FIG2-1)
 (FLOOR ANCHORS NOT INCLUDED)

FOR HEIGHTS OVER 7' ORDER BAY
 EXTENDER: SEE 5-27

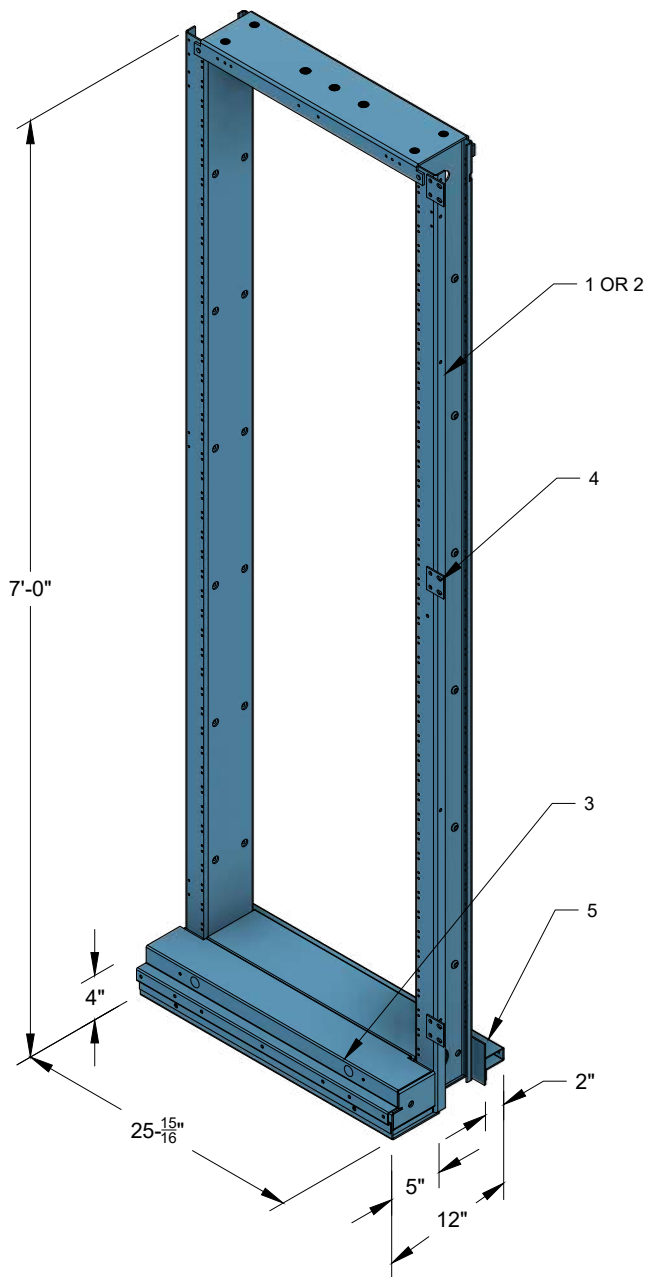
MTG PATTERN	PART #
1.75 x 23(44)	R7R084231A-x
2.00 x 23(38)	R7R084232A-x

(04/25/23)



Moreng Telecom Products
 973-237-2001
 www.morengtel.com

R7R NETWORK BAYS - SEISMIC
 (12 x 26 FOOTPRINT)
 CLOSED DUCT
 7' HIGH



STOCK LIST				
ITEM#	Description	R7R084231R-x	R7R084232R-x	
1	R7 BAY, 7" x 23 - REAR CABLED-1.75	1		
2	R7 BAY, 7" x 23 - REAR CABLED-2.00		1	
3	R7 COVER, FRONT 5" x 23	1	1	
4	JUNCTION KIT	1	1	
5	2" GUARD RAIL KIT	1	1	

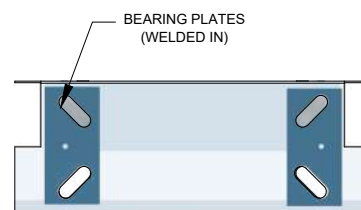
MATERIAL: CARBON STEEL

FINISH OPTIONS:

- x = 1: MTP GRAY
 - x = 3: NETWORK BLUE
 - x = 4: OFF WHITE
- OTHER FINISHES AVAILABLE

ALL ASSEMBLY HARDWARE INCLUDED

BASE DEPTH OPTIONS:
 SEE PAGE 5-02 FOR CODES



FLOOR MOUNTING
 (PER GR-63-CORE-FIG2-1)
 (FLOOR ANCHORS NOT INCLUDED)

FOR HEIGHTS OVER 7' ORDER BAY
 EXTENDER: SEE 5-27

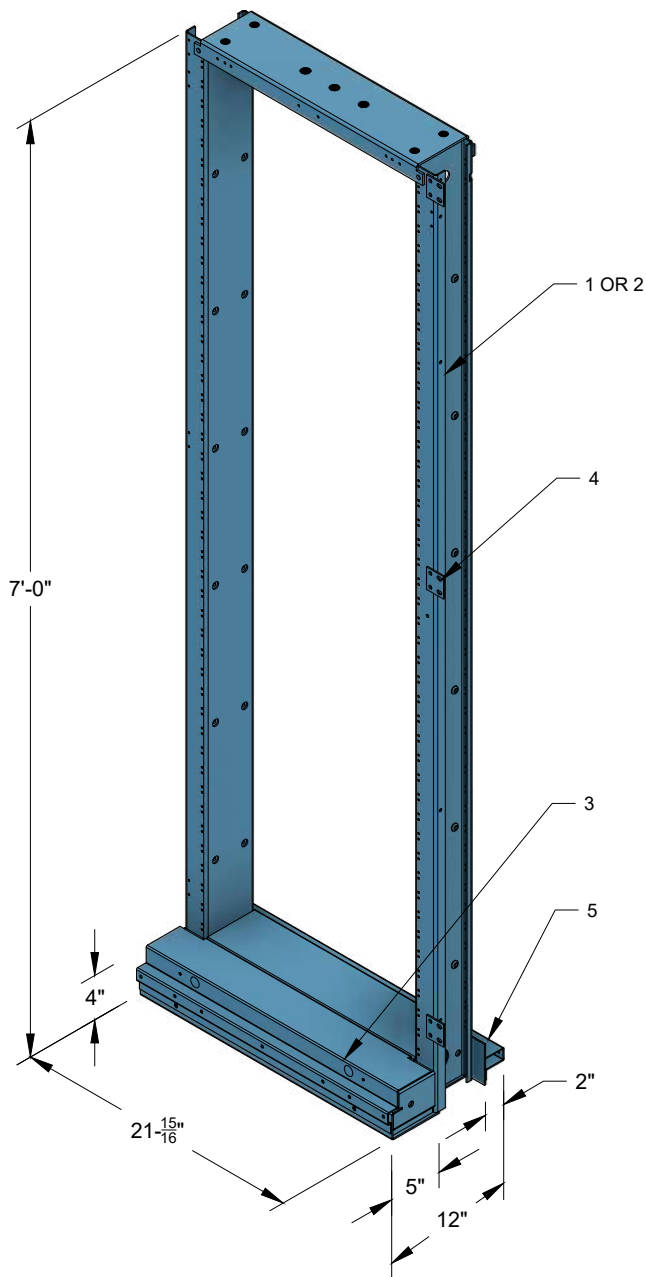
MTG PATTERN	PART #
1.75 x 23 (44)	R7R084231R-x
2.00 x 23 (38)	R7R084232R-x

(04/25/23)



Moreng Telecom Products
 973-237-2001
 www.morengtel.com

R7R NETWORK BAYS - SEISMIC
 (12 x 22 FOOTPRINT)
 CLOSED DUCT
 7' HIGH



STOCK LIST				
ITEM#	Description	R7R084191R-x	R7R084192R-x	
1	R7 BAY, 7" x 19 - REAR CABLED-1.75	1		
2	R7 BAY, 7" x 19 - REAR CABLED-2.00		1	
3	R7 COVER, FRONT 5" x 19	1	1	
4	JUNCTION KIT	1	1	
5	2" GUARD RAIL KIT	1	1	

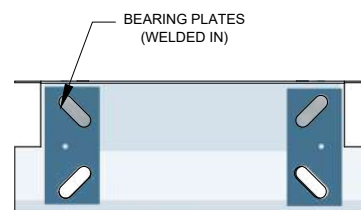
MATERIAL: CARBON STEEL

FINISH OPTIONS:

- x = 1: MTP GRAY
- x = 3: NETWORK BLUE
- x = 4: OFF WHITE
- OTHER FINISHES AVAILABLE

ALL ASSEMBLY HARDWARE INCLUDED

BASE DEPTH OPTIONS:
 SEE PAGE 5-02 FOR CODES



FLOOR MOUNTING
 (PER GR-63-CORE-FIG2-1)
 (FLOOR ANCHORS NOT INCLUDED)

FOR HEIGHTS OVER 7' ORDER BAY
 EXTENDER: SEE 5-27a

MTG PATTERN	PART #
1.75 x 19 (44)	R7R084191R-x
2.00 x 19 (38)	R7R084192R-x

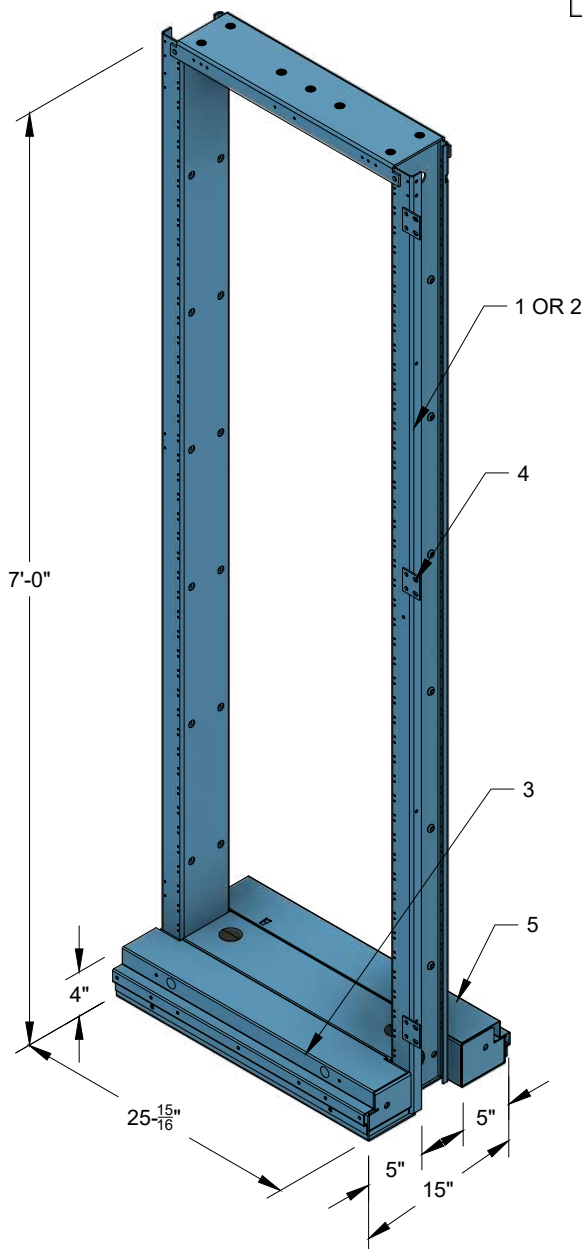
(09/10/24)



Moreng Telecom Products
 973-237-2001
 www.morengtel.com

R7R NETWORK BAYS - SEISMIC
 (15 x 26 FOOTPRINT)
 CLOSED DUCT
 7' HIGH

STOCK LIST			
ITEM#	Description	R7R084231B-x	R7R084232B-x
1	R7 BAY, 7" x 23 - REAR CABLED-1.75	1	
2	R7 BAY, 7" x 23 - REAR CABLED-2.00		1
3	R7 COVER, FRONT 5" x 23	1	1
4	JUNCTION KIT	1	1
6	5" BASE EXTENDER	1	1



MATERIAL: CARBON STEEL

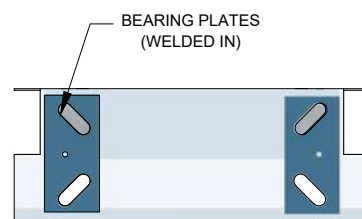
FINISH OPTIONS:

- x = 1: MTP GRAY
- x = 3: NETWORK BLUE
- x = 4: OFF WHITE
- OTHER FINISHES AVAILABLE

ALL ASSEMBLY HARDWARE INCLUDED

BASE DEPTH OPTIONS:

SEE PAGE 5-02 FOR CODES



FLOOR MOUNTING

(PER GR-63-CORE-FIG2-1)
 (FLOOR ANCHORS NOT INCLUDED)

FOR HEIGHTS OVER 7' ORDER BAY
 EXTENDER: SEE 5-27

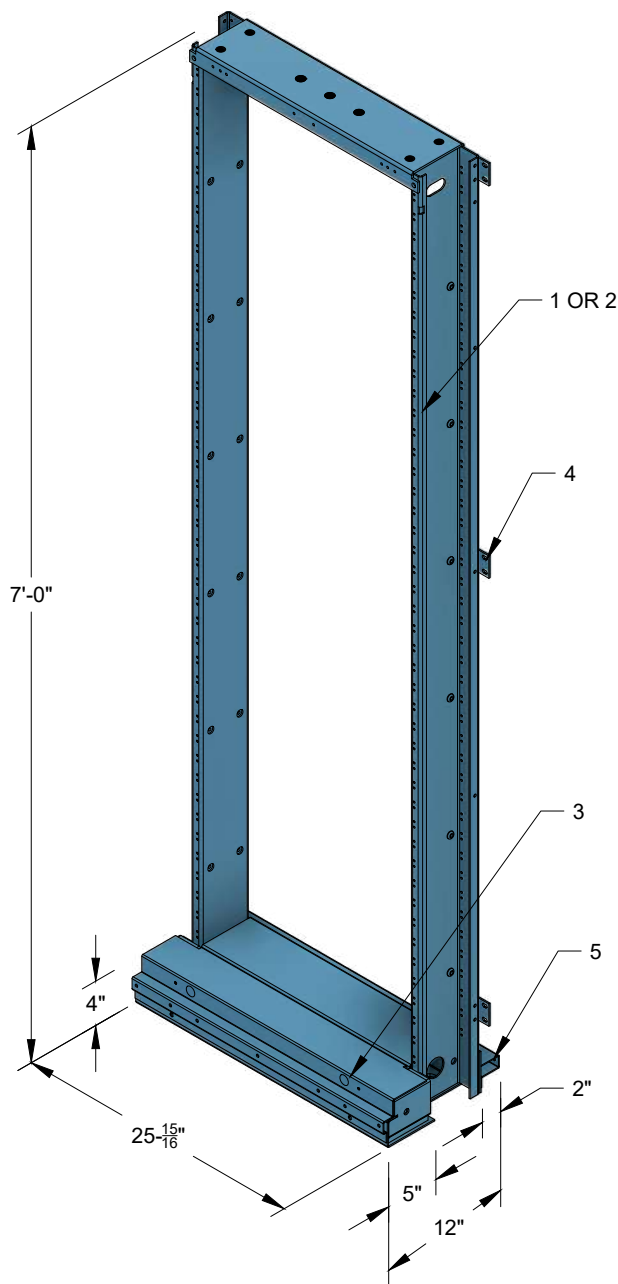
MTG PATTERN	PART #
1.75 x 23 (44)	R7R084231B-x
2.00 x 23 (38)	R7R084232B-x

(03/01/24)



Moreng Telecom Products
 973-237-2001
 www.morengtel.com

R7R NETWORK BAYS - SEISMIC
 (12 x 26 FOOTPRINT)
 OPEN DUCT
 7' HIGH



STOCK LIST			
ITEM#	Description	R7R084231D-x	R7R084232D-x
1	R7 BAY, 7" x 23 - FRONT CABLED-1.75	1	
2	R7 BAY, 7" x 23 - FRONT CABLED-2.00		1
3	R7 COVER, FRONT 5" X 23	1	1
4	JUNCTION KIT	1	1
5	GUARD RAIL 2"	1	1

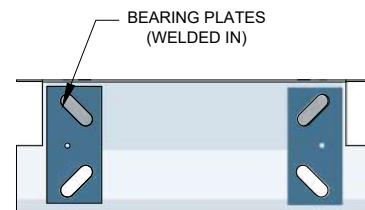
MATERIAL: CARBON STEEL

FINISH OPTIONS:

- x = 1: MTP GRAY
- x = 3: NETWORK BLUE
- x = 4: OFF WHITE
- OTHER FINISHES AVAILABLE

ALL ASSEMBLY HARDWARE INCLUDED

BASE DEPTH OPTIONS:
 SEE PAGE 5-02 FOR CODES



FLOOR MOUNTING
 (PER GR-63-CORE-FIG2-1)
 (FLOOR ANCHORS NOT INCLUDED)

FOR HEIGHTS OVER 7' ORDER BAY
 EXTENDER: SEE 5-27

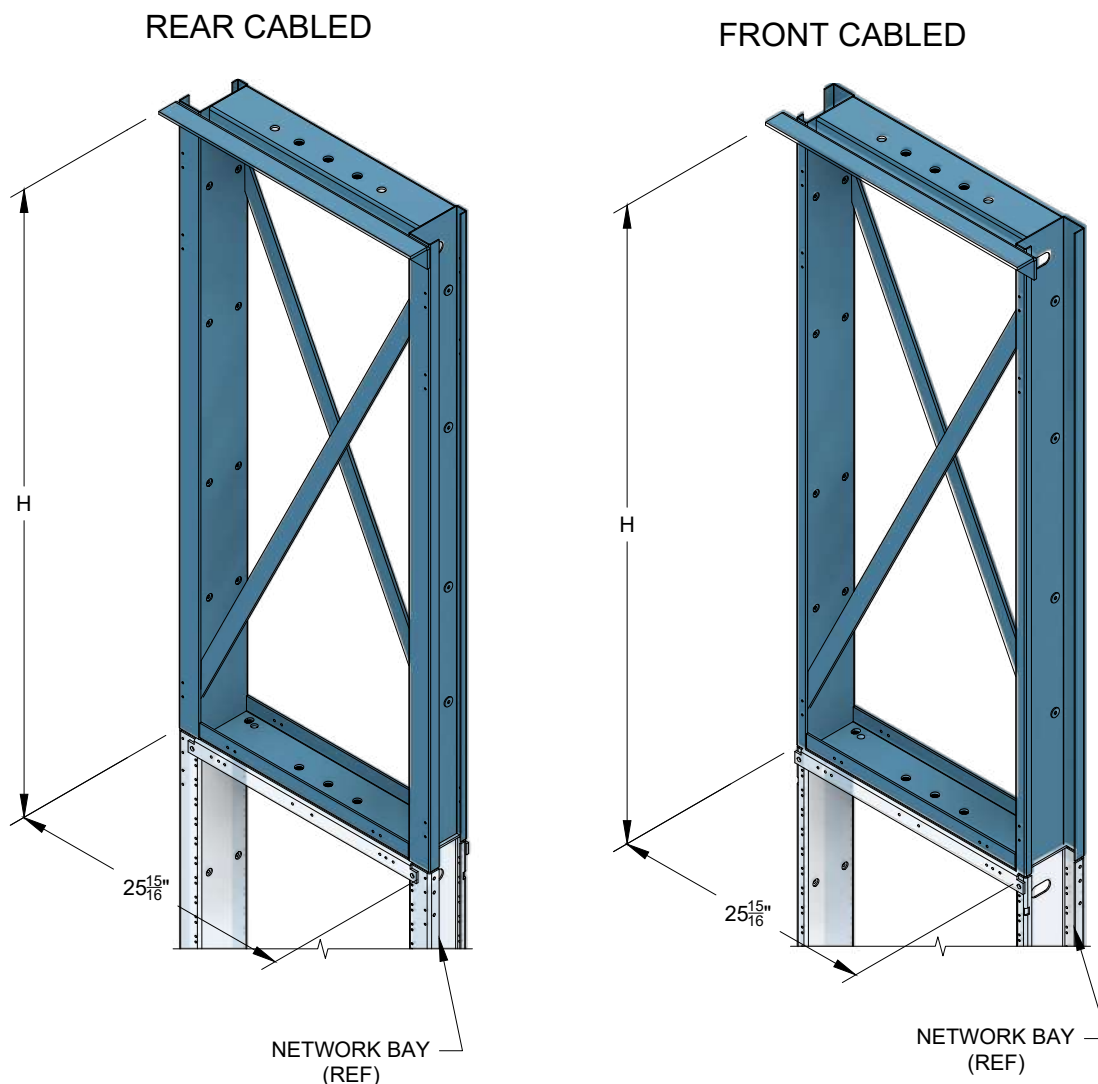
MTG PATTERN	PART #
1.75 x 23 (44)	R7R084231D-x
2.00 x 23 (38)	R7R084232D-x

(04/25/23)



Moreng Telecom Products
 973-237-2001
 www.morengtel.com

SEISMIC NETWORK BAY EXTENDERS



MATERIAL: CARBON STEEL

FINISH OPTIONS:

- x = 1: MTP GRAY
- x = 3: NETWORK BLUE
- x = 4: OFF WHITE
- OTHER FINISHES AVAILABLE

ALL ASSEMBLY HARDWARE INCLUDED

FEATURES:

- NEBS CERTIFIED
- BRACES & ABSENCE OF MOUNTING HOLES PREVENT EQUIPMENT INSTALLATION
- BOTTOM HOLES MATCH OTHER NEBS SEISMIC BAY MANUFACTURES

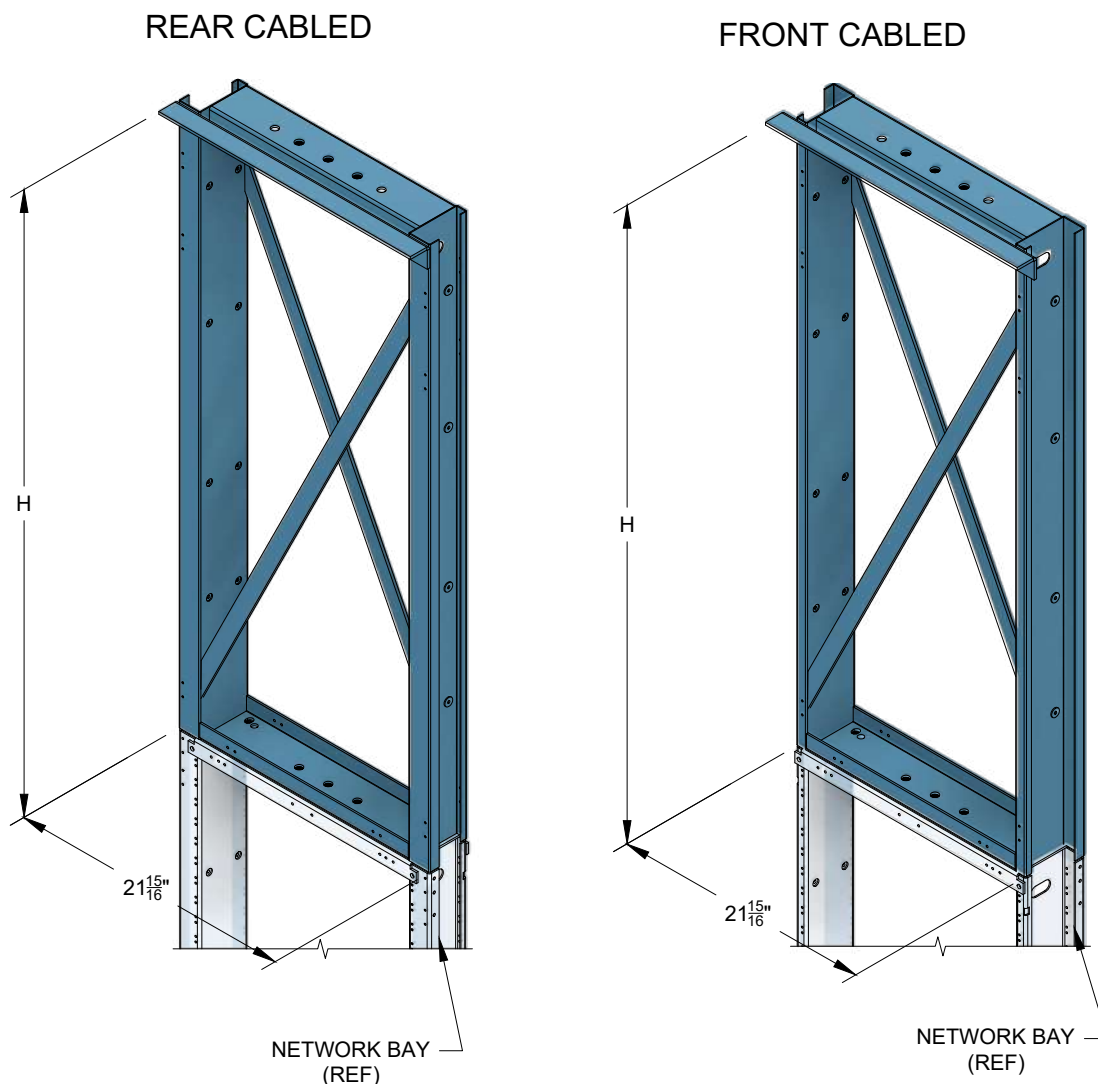
H	REAR CABLED MTP PN #	FRONT CABLED MTP PN #
12	R7R012230-x	R7R012230A-x
24	R7R024230-x	R7R024230A-x
54	R7R054230-x	R7R054230A-x
56	R7R056230-x	R7R056230A-x

(04/25/23)



Moreng Telecom Products
973-237-2001
www.morengtel.com

SEISMIC NETWORK BAY EXTENDERS



MATERIAL: CARBON STEEL

FINISH OPTIONS:

- x = 1: MTP GRAY
- x = 3: NETWORK BLUE
- x = 4: OFF WHITE
- OTHER FINISHES AVAILABLE

ALL ASSEMBLY HARDWARE INCLUDED

FEATURES:

- NEBS CERTIFIED
- BRACES & ABSENCE OF MOUNTING HOLES PREVENT EQUIPMENT INSTALLATION
- BOTTOM HOLES MATCH OTHER NEBS
- SEISMIC BAY MANUFACTURES

* ALL OTHER HEIGHTS AVAILABLE FOR SPECIAL ORDER

H	REAR CABLED MTP PN #	FRONT CABLED MTP PN #
12	R7R012190-x	R7R012190A-x
24	R7R024190-x	R7R024190A-x
54	R7R054190-x	R7R054190A-x

(09/10/24)



Moreng Telecom Products
973-237-2001
www.morengtel.com

SEISMIC NETWORK BAY SPACERS (10" DEPTH: 5 - 5 - 0 CONFIG)

MATERIAL: CARBON STEEL

FINISH OPTIONS:

x = 1: MTP GRAY

x = 3: NETWORK BLUE

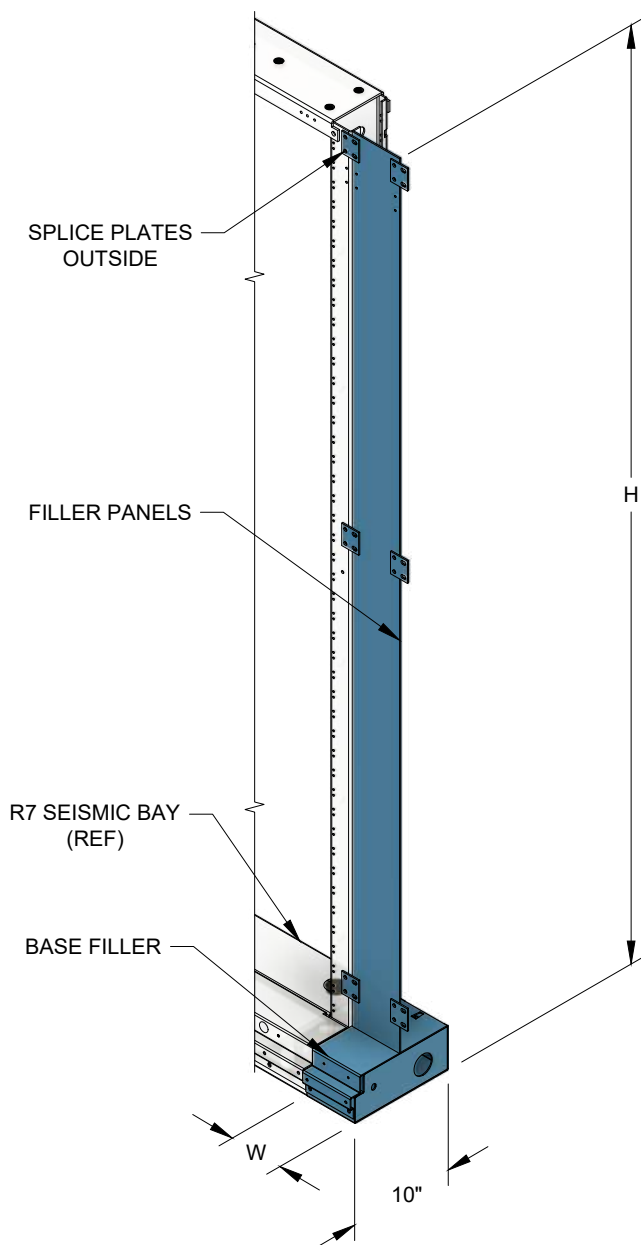
x = 4: OFF WHITE

OTHER FINISHES AVAILABLE

ALL ASSEMBLY HARDWARE INCLUDED

BASE DEPTH OPTIONS:

SEE PAGE 5-03 FOR CODES



"H"	"W"	PART #
84	2.5	R7SP0842A-x
84	5	R7SP0845A-x
84	10	R7SP08410A-x
108	2.5	R7SP1082A-x
108	5	R7SP1085A-x
108	10	R7SP10810A-x
138	2.5	R7SP1382A-x
138	5	R7SP1385A-x
138	10	R7SP13810A-x

(04/25/23)



Moreng Telecom Products
973-237-2001
www.morengtel.com

SEISMIC NETWORK BAY SPACERS (12" DEPTH: 5 - 5 - 2 CONFIG)

MATERIAL: CARBON STEEL

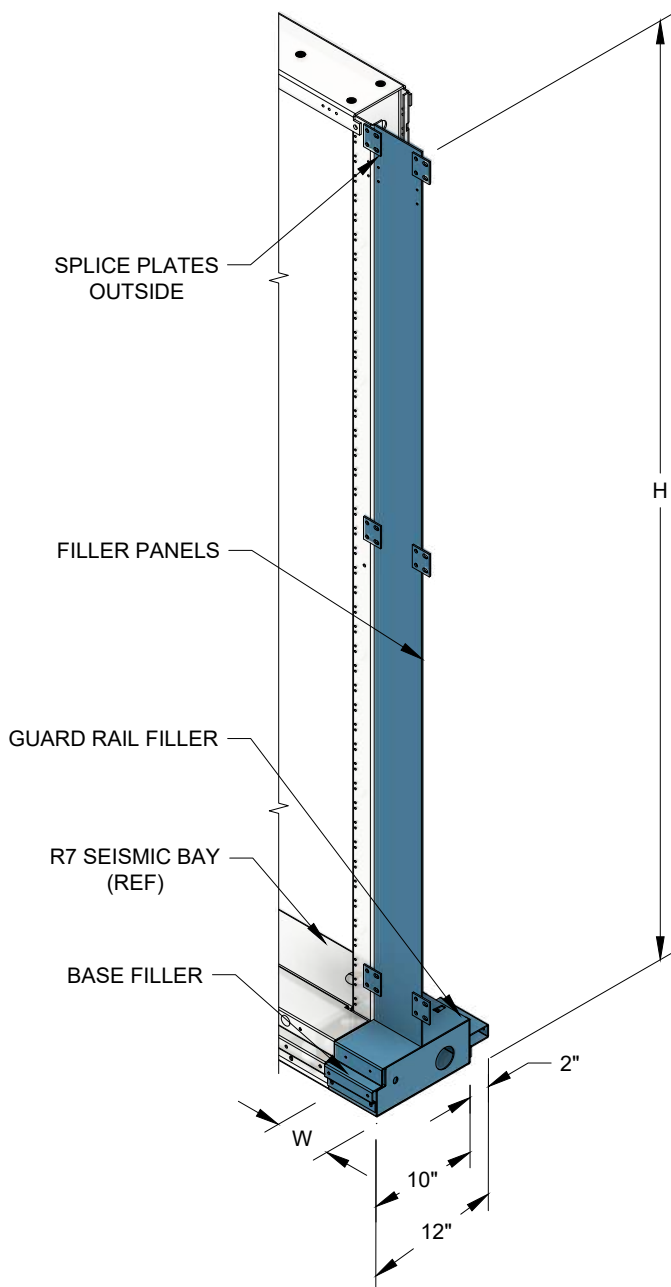
FINISH OPTIONS:

- x = 1: MTP GRAY
- x = 3: NETWORK BLUE
- x = 4: OFF WHITE
- OTHER FINISHES AVAILABLE

ALL ASSEMBLY HARDWARE INCLUDED

BASE DEPTH OPTIONS:

SEE PAGE 5-03 FOR CODES



"H"	"W"	PART #
84	2.5	R7SP0842R-x
84	5	R7SP0845R-x
84	10	R7SP08410R-x
108	2.5	R7SP1082R-x
108	5	R7SP1085R-x
108	10	R7SP10810R-x
138	2.5	R7SP1382R-x
138	5	R7SP1385R-x
138	10	R7SP13810R-x

(04/25/23)



Moreng Telecom Products
973-237-2001
www.morengtel.com

SEISMIC NETWORK BAY SPACERS (12" DEPTH: 6 - 5 - 1 CONFIG)

MATERIAL: CARBON STEEL

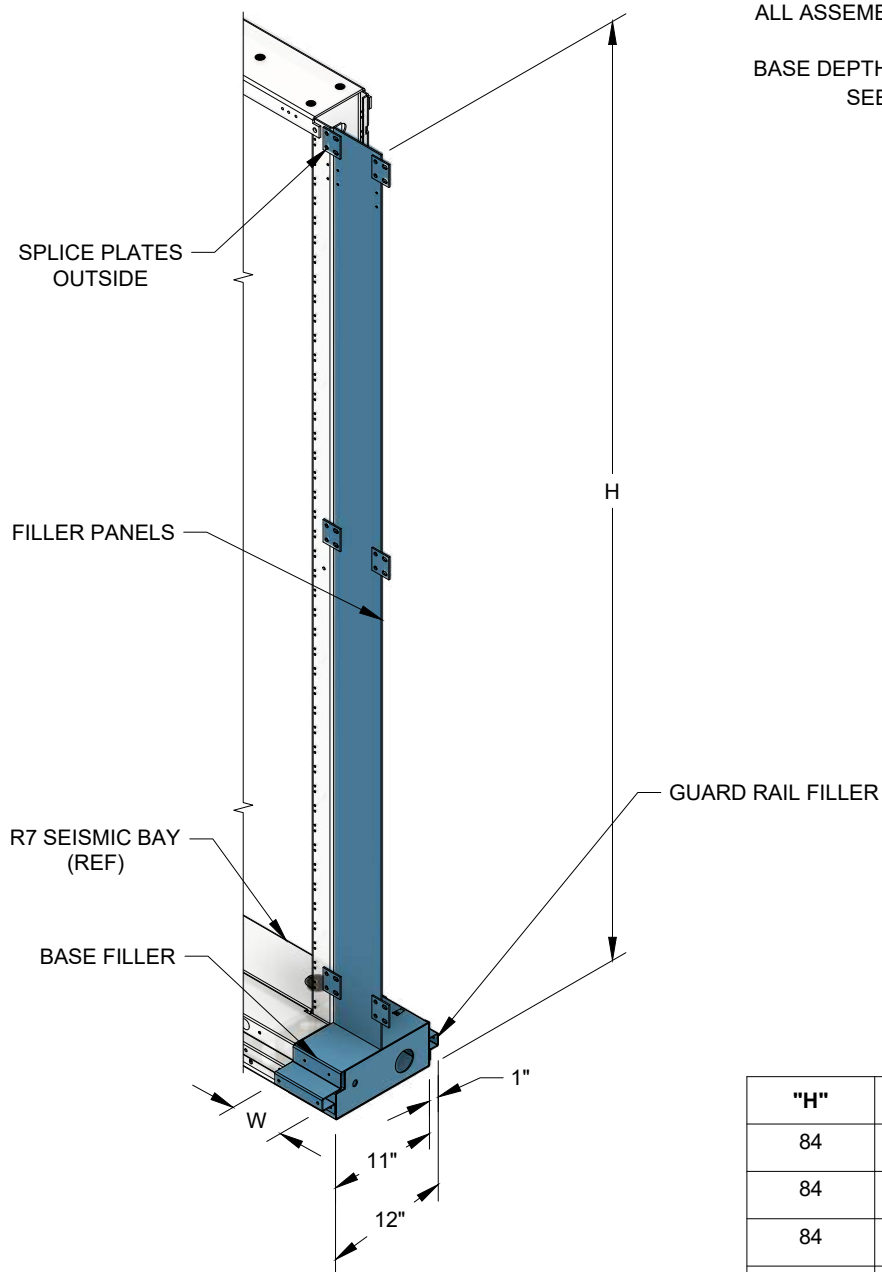
FINISH OPTIONS:

- x = 1: MTP GRAY
- x = 3: NETWORK BLUE
- x = 4: OFF WHITE
- OTHER FINISHES AVAILABLE

ALL ASSEMBLY HARDWARE INCLUDED

BASE DEPTH OPTIONS:

SEE PAGE 5-03 FOR CODES



"H"	"W"	PART #
84	2.5	R7SP0842-x
84	5	R7SP0845-x
84	10	R7SP08410-x
108	2.5	R7SP1082-x
108	5	R7SP1085-x
108	10	R7SP10810-x
138	2.5	R7SP1382-x
138	5	R7SP1385-x
138	10	R7SP13810-x

(04/25/23)



Moreng Telecom Products
973-237-2001
www.morengtel.com

SEISMIC NETWORK BAY SPACERS (15" DEPTH: 5 - 5 - 5 CONFIG)

MATERIAL: CARBON STEEL

FINISH OPTIONS:

x = 1: MTP GRAY

x = 3: NETWORK BLUE

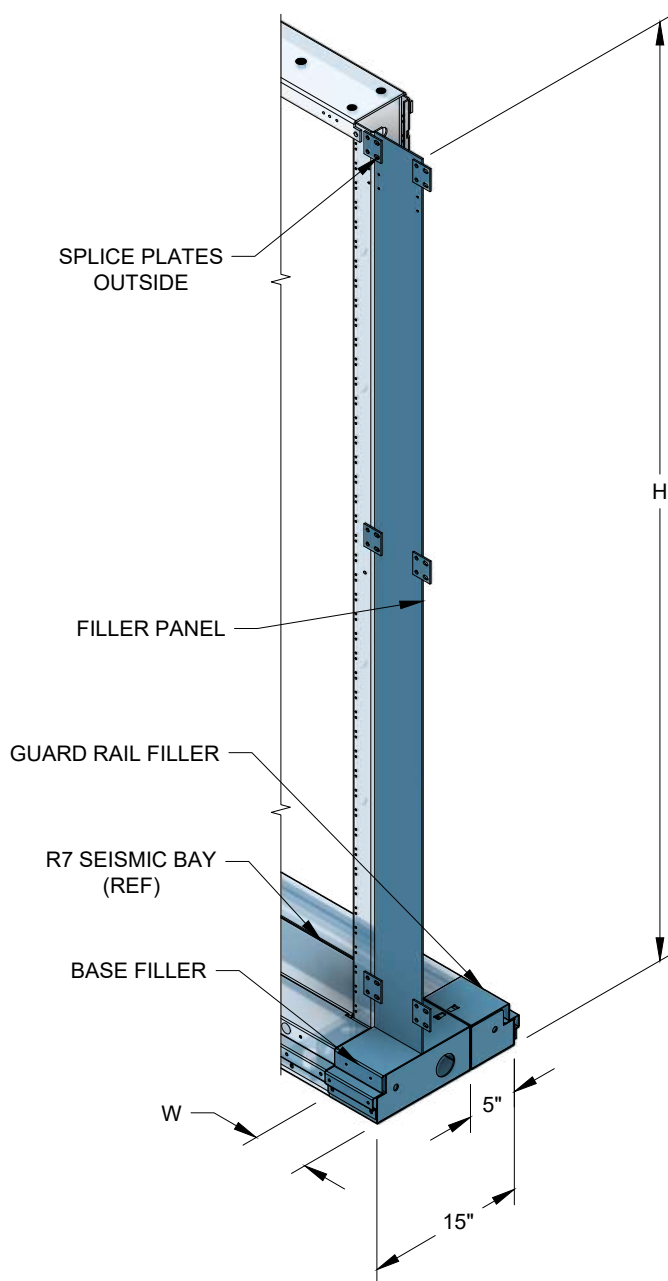
x = 4: OFF WHITE

OTHER FINISHES AVAILABLE

ALL ASSEMBLY HARDWARE INCLUDED

BASE DEPTH OPTIONS:

SEE PAGE 5-03 FOR CODES



"H"	"W"	PART #
84	2.5	R7SP0842B-x
84	5	R7SP0845B-x
84	10	R7SP08410B-x
108	2.5	R7SP1082B-x
108	5	R7SP1085B-x
108	10	R7SP10810B-x
138	2.5	R7SP1382B-x
138	5	R7SP1385B-x
138	10	R7SP13810B-x

(04/25/23)



Moreng Telecom Products
973-237-2001
www.morengtel.com

NETWORK BAY - END GUARDS ALL SEISMIC ZONES (NO SPACER)

MATERIAL: CARBON STEEL

FINISH OPTIONS:

- x = 1: MTP GRAY
- x = 3: NETWORK BLUE
- x = 4: OFF WHITE
- OTHER FINISHES AVAILABLE

ALL ASSEMBLY HARDWARE INCLUDED

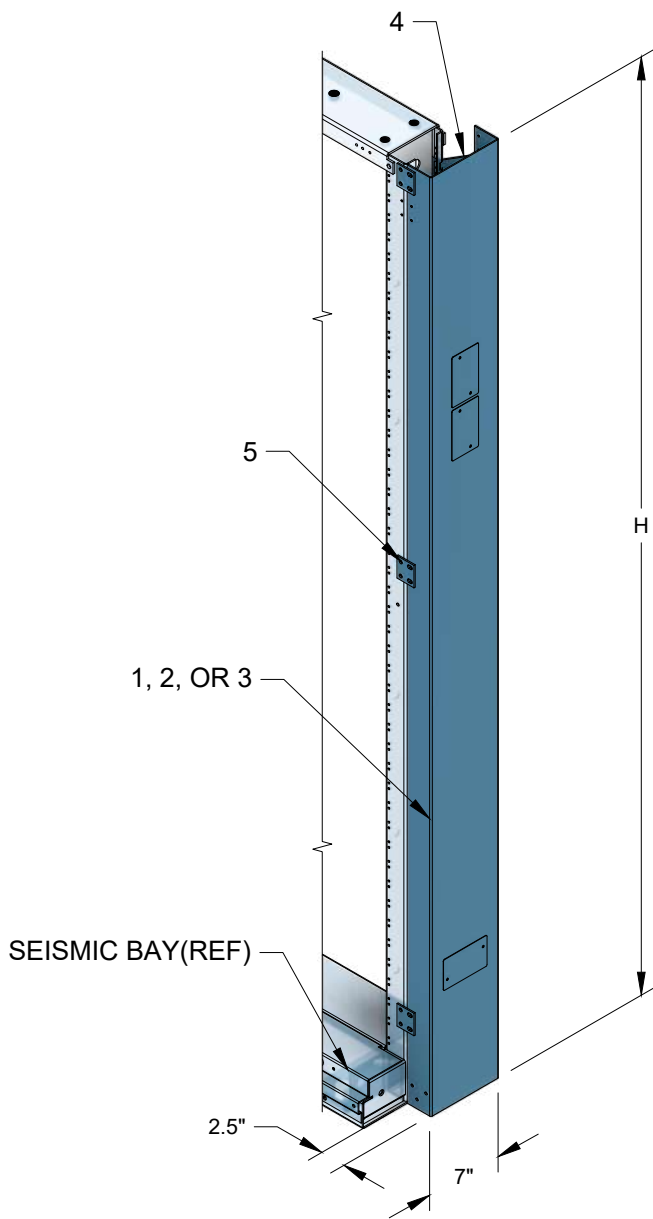
BASE DEPTH OPTIONS:

SEE PAGE 5-03 FOR CODES

* IF SPACER PANEL IS INSTALLED
BETWEEN BAY & END GUARD, THESE
REAR BRACES ARE NEEDED:

- R7-402-xK FOR 2.5" SPACER
- R7-405-xK FOR 5" SPACER

SEE PAGE 5-47



		"H"	84	108	138
ITEM #	DESCRIPTION	R7E084-x	R7E108-x	R7E138-x	
1	END GUARD, 84"	1			
2	END GUARD, 108"		1		
3	END GUARD, 138"				1
4	REAR BRACE	3	5	5	
5	JUNCTION PLATE	3	5	5	

(03/04/24)



Moreng Telecom Products
973-237-2001
www.morengtel.com

SEISMIC BAYS

END GUARDS 2.5 x 15 x 84" AND 96"

MATERIAL: CARBON STEEL

FINISH OPTIONS:

x = 1: MTP GRAY

x = 3: NETWORK BLUE

OTHER FINISHES AVAILABLE

ALL ASSEMBLY HARDWARE INCLUDED

MAY BE MOUNTED TO:

SEISMIC NETWORK BAY

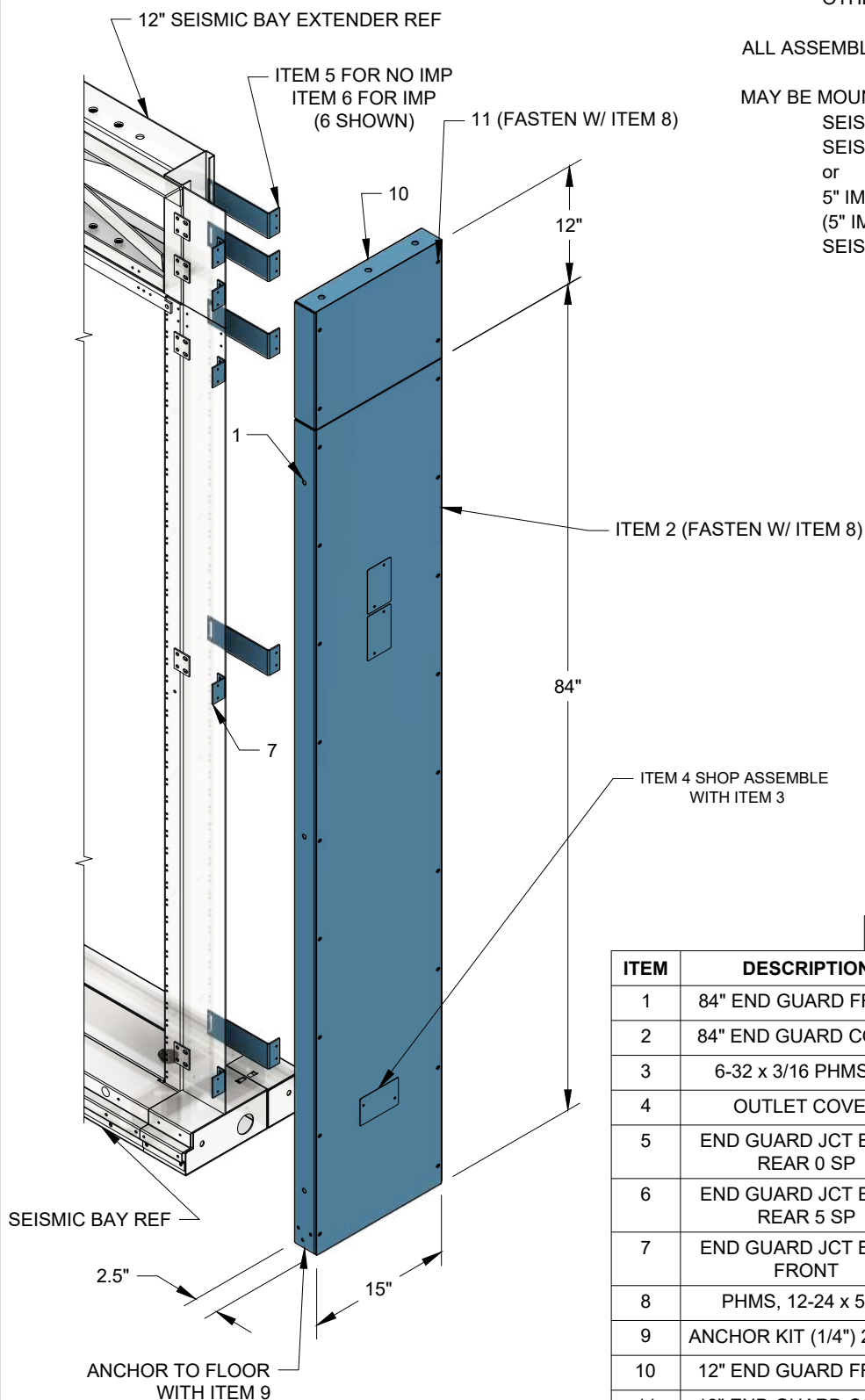
SEISMIC UEF BAY

or

5" IMP or 5" SPACER

(5" IMP MOUNT SHOWN IN DIAGRAM)

SEISMIC POWER BAYS



		H	84"	96"
ITEM	DESCRIPTION	R7E08415-x	R7E09615-x	
1	84" END GUARD FRAME	1	1	
2	84" END GUARD COVER	2	2	
3	6-32 x 3/16 PHMS ZY	6	6	
4	OUTLET COVER	3	3	
5	END GUARD JCT BRKT, REAR 0 SP	3	3	
6	END GUARD JCT BRKT, REAR 5 SP	3	5	
7	END GUARD JCT BRKT, FRONT	3	5	
8	PHMS, 12-24 x 5/16	44	64	
9	ANCHOR KIT (1/4") 2 SETS	1	1	
10	12" END GUARD FRAME		1	
11	12" END GUARD COVER		1	

(06/11/24)



Moreng Telecom Products
 973-237-2001
 www.morengtel.com

SEISMIC NETWORK BAY END GUARDS (WITH SPACER)

MATERIAL: CARBON STEEL

FINISH OPTIONS:

x = 1: MTP GRAY

x = 3: NETWORK BLUE

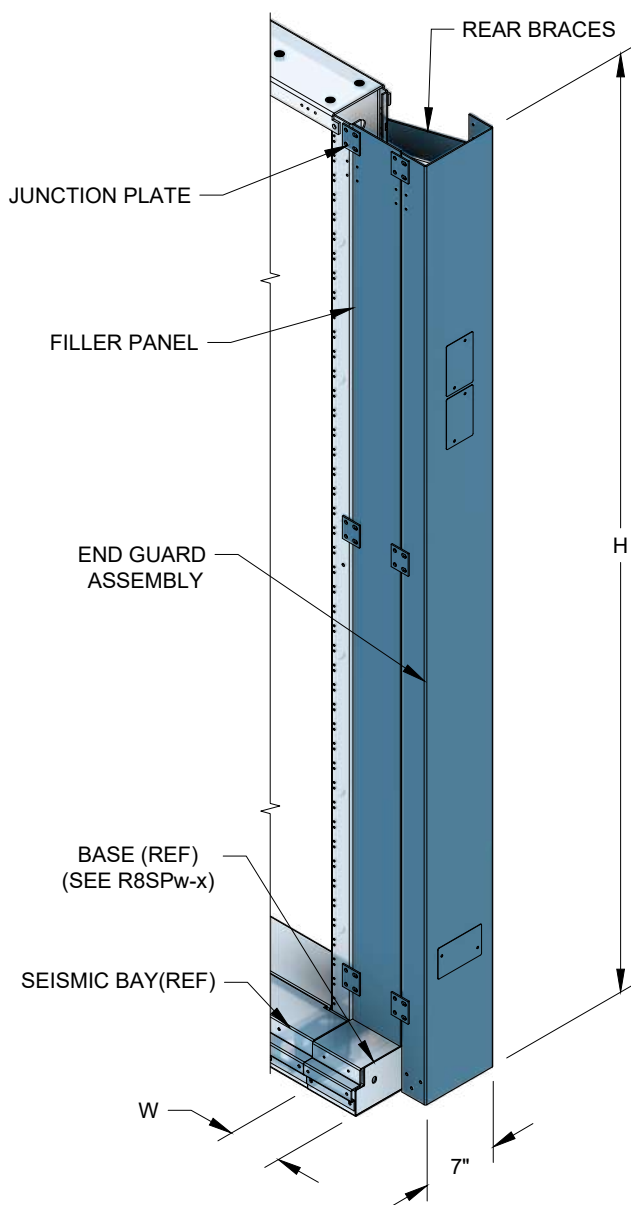
x = 4: OFF WHITE

OTHER FINISHES AVAILABLE

ALL ASSEMBLY HARDWARE INCLUDED

BASE DEPTH OPTIONS:

SEE PAGE 5-03 FOR CODES



"H"	"W"	PART #
84	2.5	R7ES0842-x
84	5.0	R7ES0845-x
84	10.0	R7ES08410-x
108	2.5	R7ES1082-x
108	5.0	R7ES1085-x
108	10.0	R7ES10810-x
138	2.5	R7ES1382-x
138	5.0	R7ES1385-x
138	10.0	R7ES13810-x

(04/25/23)



Moreng Telecom Products
973-237-2001
www.morengtel.com

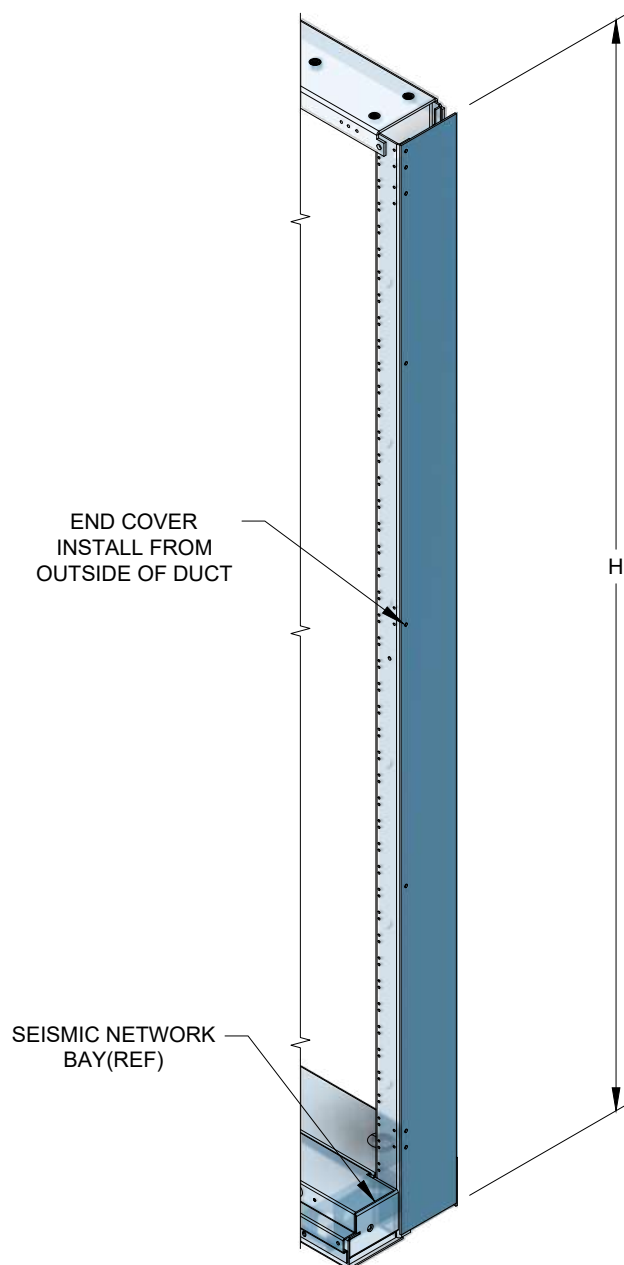
SEISMIC NETWORK BAY END COVERS

MATERIAL: CARBON STEEL

FINISH OPTIONS:

- x = 1: MTP GRAY
- x = 3: NETWORK BLUE
- x = 4: OFF WHITE
- OTHER FINISHES AVAILABLE

ALL ASSEMBLY HARDWARE INCLUDED



"H"	PART #
84	R7EC084-x
108	R7EC108-x
138	R7EC138-x

(04/25/23)



Moreng Telecom Products
973-237-2001
www.morengtel.com

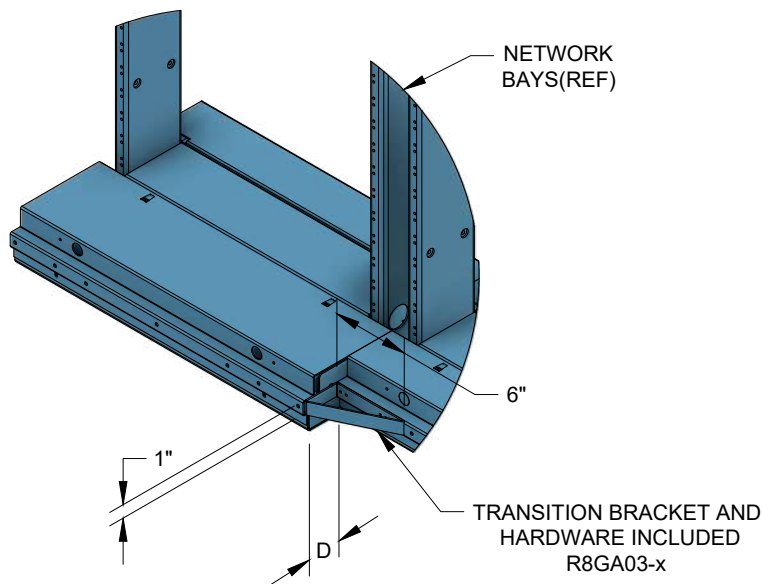
NETWORK BAYS GUARD RAIL TRANSITION KITS BETWEEN BAYS OF DIFFERENT DEPTHS (FRONT OR BACK OF BAY)

MATERIAL: CARBON STEEL

FINISH OPTIONS:

- x = 1: MTP GRAY
- x = 3: NETWORK BLUE
- x = 4: OFF WHITE
- OTHER FINISHES AVAILABLE

ALL ASSEMBLY HARDWARE INCLUDED



"D"	PART #
3"	R8GA3-x
5"	R8GA5-x
6"	R8GA6-x
8"	R8GA8-x
10"	R8GA10-x
aa	R8GAaa-x

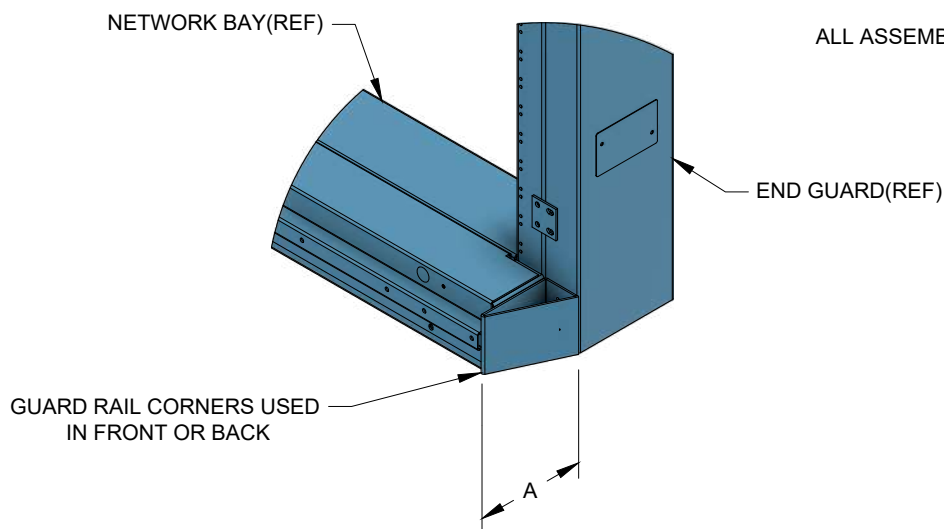
R8ER SERIES FOR END GUARD BASE CORNERS

MATERIAL: CARBON STEEL

FINISH OPTIONS:

- x = 1: MTP GRAY
- x = 3: NETWORK BLUE
- x = 4: OFF WHITE
- OTHER FINISHES AVAILABLE

ALL ASSEMBLY HARDWARE INCLUDED



"A"	PART #
3"	R8ER03-x
5"	R8ER05-x
6"	R8ER06-x
8"	R8ER08-x
10"	R8ER10-x
aa	R8ERaa-x

NETWORK OR UEF BAYS GUARD RAIL CORNERS

(04/25/23)



Moreng Telecom Products
973-237-2001
www.morengtel.com

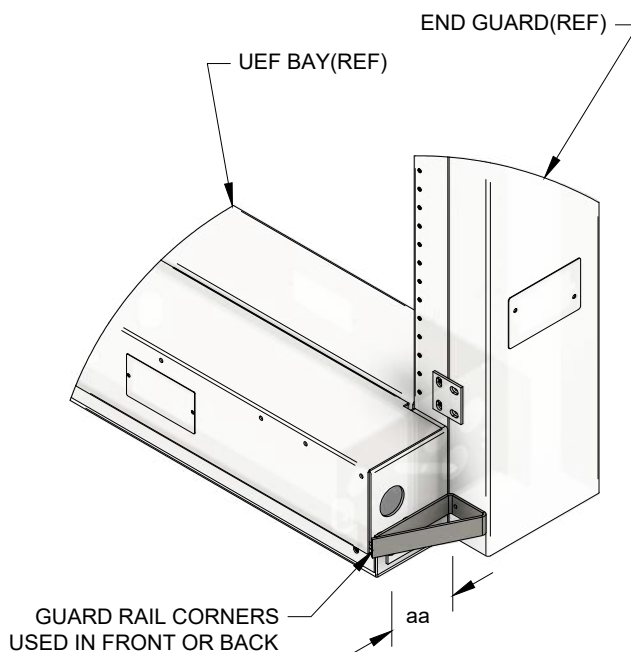
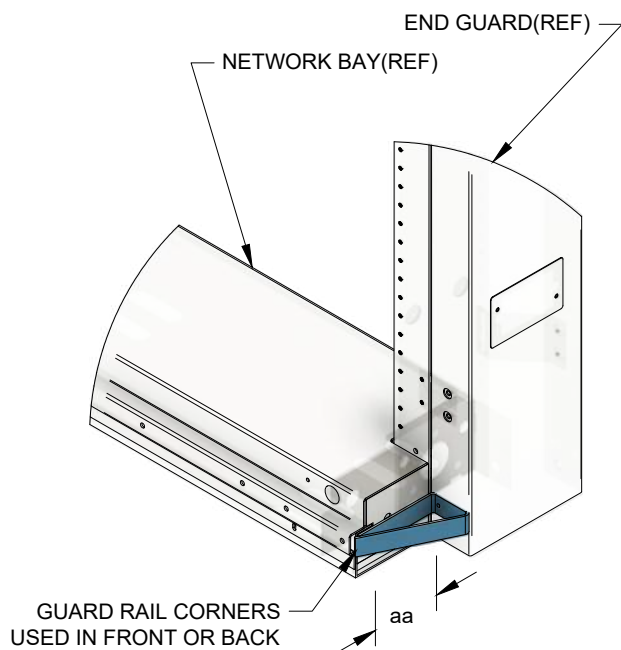
R8GE SERIES FOR END GD BASE CORNERS

MATERIAL: CARBON STEEL

FINISH OPTIONS:

- x = 1: MTP GRAY
- x = 3: NETWORK BLUE
- x = 4: OFF WHITE
- OTHER FINISHES AVAILABLE

ALL ASSEMBLY HARDWARE INCLUDED



NETWORK OR UEF BAYS
GUARD RAIL CORNERS

"A"	PART #
3"	R8GE03-xK
5"	R8GE05-xK
6"	R8GE06-xK
8"	R8GE08-xK
10"	R8GE10-xK
aa	R8GEaa-xK

(03/20/24)



Moreng Telecom Products
973-237-2001
www.morengtel.com

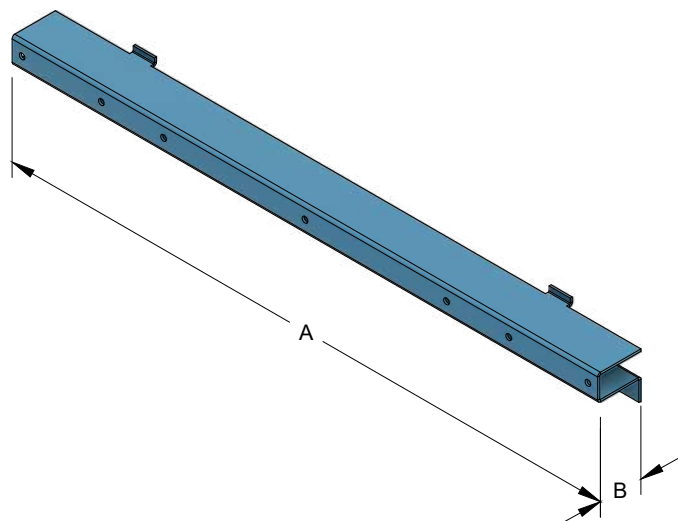
NETWORK BAYS GUARD RAILS

MATERIAL: CARBON STEEL

FINISH OPTIONS:

- x = 1: MTP GRAY
- x = 3: NETWORK BLUE
- x = 4: OFF WHITE
- OTHER FINISHES AVAILABLE

ALL ASSEMBLY HARDWARE INCLUDED



* 5" DEEP GARD RAILS
ARE MADE IN 2 PIECES

"B"	"A"	PART #
5.00	25.94	*R8G235-x
2.00	25.94	R8G232-x
1.00	25.94	R8G231-x
2.00	21.94	R8G192-x
1.00	21.94	R8G191-x
5.00	9.88	*R8G105-x
2.00	9.88	R8G102-x
1.00	9.88	R8G101-x
5.00	4.94	*R8G055-x
2.00	4.94	R8G052-x
1.00	4.94	R8G051-x
5.00	2.44	*R8G025-x
2.00	2.44	R8G022-x
1.00	2.44	R8G021-x

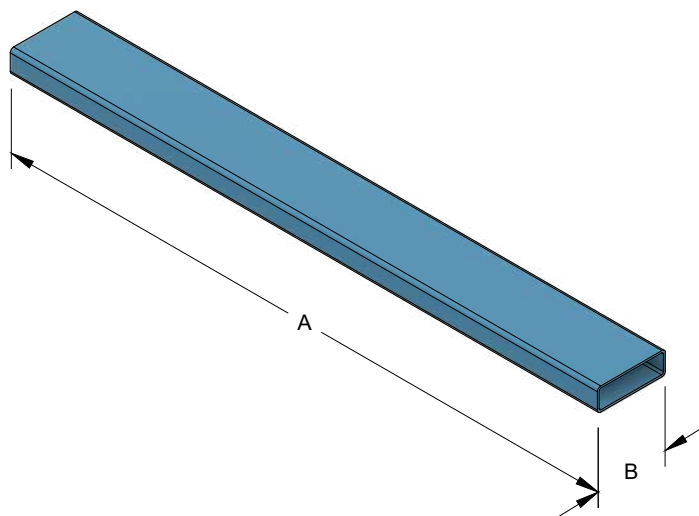
GUARD RAIL EXTENSIONS FRONT OR REAR FOR ALL UEF BAYS

MATERIAL: CARBON STEEL

FINISH OPTIONS:

- x = 1: MTP GRAY
- x = 3: NETWORK BLUE
- x = 4: OFF WHITE
- OTHER FINISHES AVAILABLE

ALL ASSEMBLY HARDWARE INCLUDED



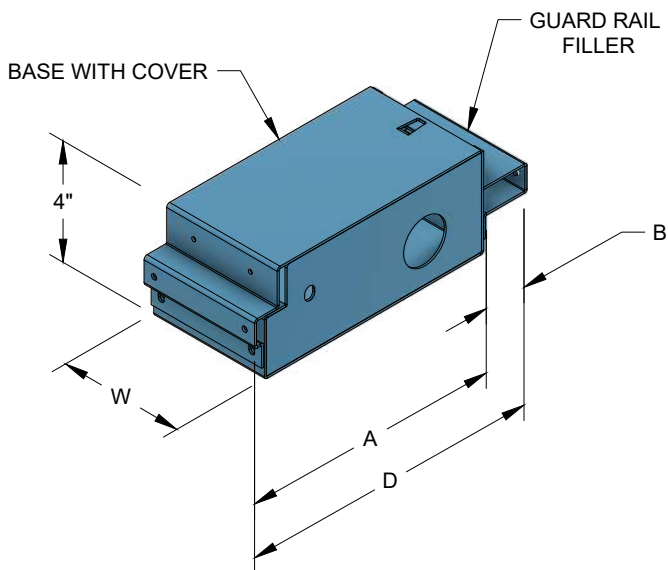
"B"	"A"	PART #
3.00	25.94	R8GX233-x
2.00	25.94	R8GX232-x
1.00	25.94	R8GX231-x
3.00	21.94	R8GX193-x
2.00	21.94	R8GX192-x
1.00	21.94	R8GX191-x
3.00	9.88	R8GX103-x
2.00	9.88	R8GX102-x
1.00	9.88	R8GX101-x
3.00	4.94	R8GX053-x
2.00	4.94	R8GX052-x
1.00	4.94	R8GX051-x
3.00	2.44	R8GX023-x
2.00	2.44	R8GX022-x
1.00	2.44	R8GX021-x

(04/25/23)



Moreng Telecom Products
973-237-2001
www.morengtel.com

NETWORK BAY BASE SPACER KIT (ALL HEIGHTS)



MATERIAL: CARBON STEEL

FINISH OPTIONS:

- x = 1: MTP GRAY
- x = 3: NETWORK BLUE
- x = 4: OFF WHITE
- OTHER FINISHES AVAILABLE

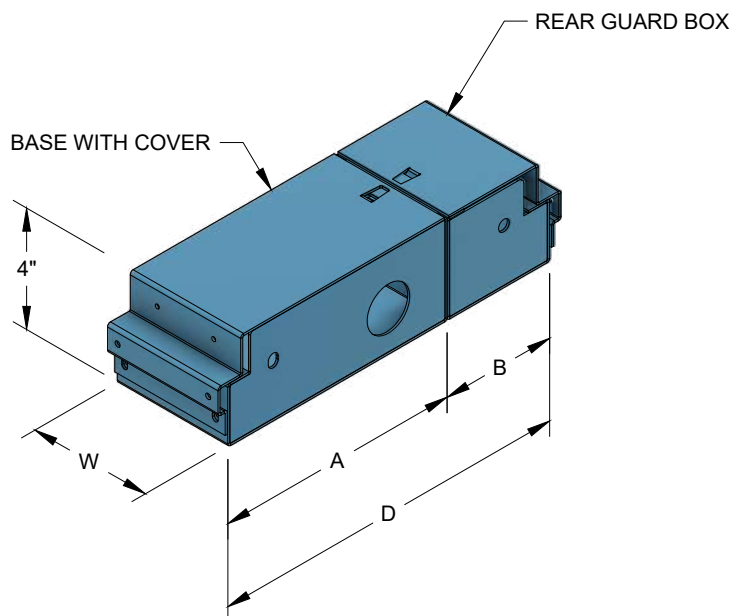
ALL ASSEMBLY HARDWARE INCLUDED

BASE DEPTH OPTIONS:

SEE PAGE 5-03 FOR CODES

"W"	"D"	"B"	"A"	PART #
2.5	12	1	11	R8SP2-x
2.5	12	2	10	R8SP2R-x
2.5	15	5	10	R8SP2N-x
5	12	1	11	R8SP5-x
5	12	2	10	R8SP5R-x
5	15	5	10	R8SP5N-x
10	12	1	11	R8SP10-x
10	12	2	10	R8SP10R-x
10	15	5	10	R8SP10N-x

NETWORK BAY BASE SPACER KIT (FULL BUILD OUTS)



MATERIAL: CARBON STEEL

FINISH OPTIONS:

- x = 1: MTP GRAY
- x = 3: NETWORK BLUE
- x = 4: OFF WHITE
- OTHER FINISHES AVAILABLE

ALL ASSEMBLY HARDWARE INCLUDED

BASE DEPTH OPTIONS:

SEE PAGE 5-03 FOR CODES

"W"	"D"	"B"	"A"	PART #
2.5	15	5	10	R8SP2B-x
2.5	18	8	10	R8SP2J-x
5	15	5	10	R8SP5B-x
5	18	8	10	R8SP5J-x
10	15	5	10	R8SP10B-x
10	18	8	10	R8SP10J-x

(04/25/23)



Moreng Telecom Products
973-237-2001
www.morengtel.com

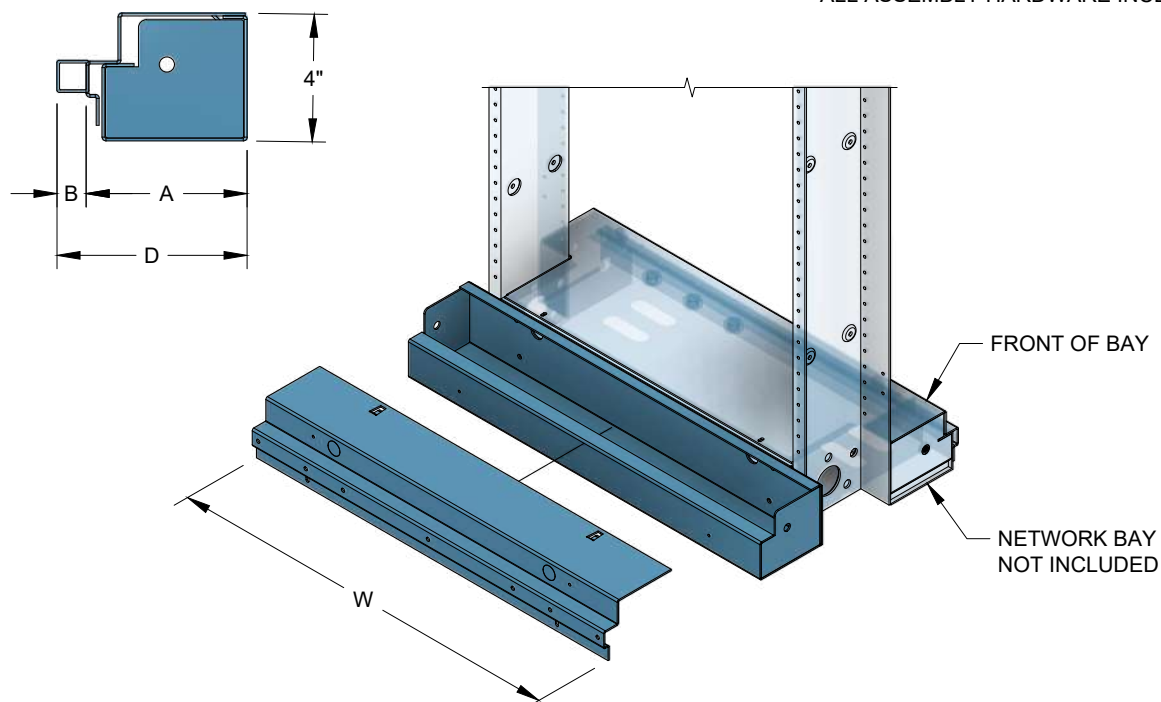
NETWORK BAYS REAR GUARD RAILS (FULL BUILD-OUTS)

MATERIAL: CARBON STEEL

FINISH OPTIONS:

- x = 1: MTP GRAY
- x = 3: NETWORK BLUE
- x = 4: OFF WHITE
- OTHER FINISHES AVAILABLE

ALL ASSEMBLY HARDWARE INCLUDED



DIMENSIONS			23" BAY	19" BAY
D	A	B	W = 26	W = 22
5	5	0	R8BX235-x	R8BX195-x
6	5	1	R8BX236-x	R8BX196-x
7	7	0	R8BX237-x	R8BX197-x
8	8	0	R8BX238-x	R8BX198-x
9	8	1	R8BX239-x	R8BX199-x
10	10	0	R8BX2310-x	R8BX1910-x
11	10	1	R8BX2311-x	R8BX1911-x
12	12	0	R8BX2312-x	R8BX1912-x
13	12	1	R8BX2313-x	R8BX1913-x
14	12	2	R8BX2314-x	R8BX1914-x
15	15	0	R8BX2315-x	R8BX1915-x
16	15	1	R8BX2316-x	R8BX1916-x

R8BX-SERIES

(04/25/23)



Moreng Telecom Products
973-237-2001
www.morengtel.com

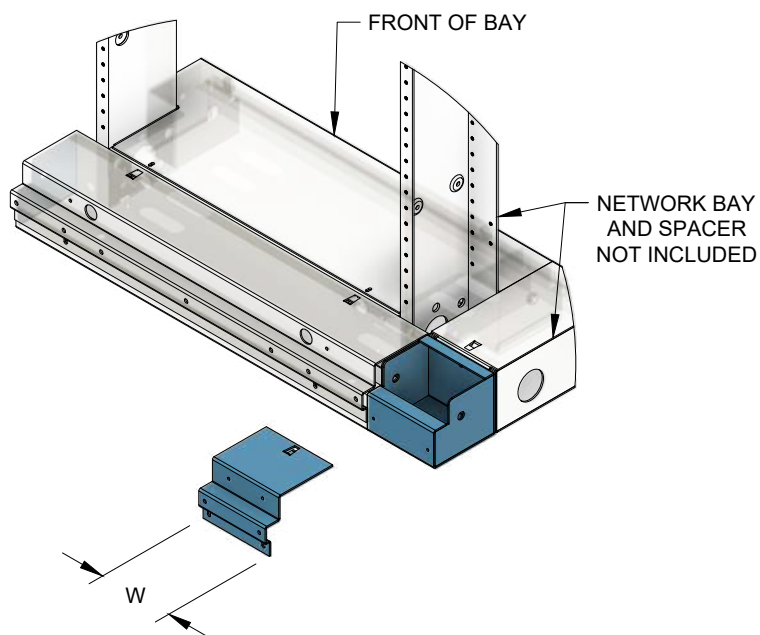
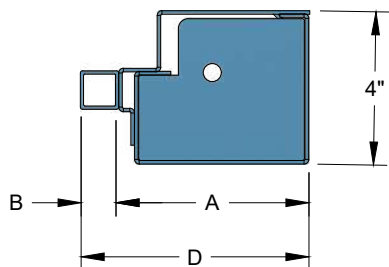
NETWORK BAY SPACER REAR GUARD RAILS (FULL BUILD-OUTS)

MATERIAL: CARBON STEEL

FINISH OPTIONS:

- x = 1: MTP GRAY
- x = 3: NETWORK BLUE
- x = 4: OFF WHITE
- OTHER FINISHES AVAILABLE

ALL ASSEMBLY HARDWARE INCLUDED



D	A	B	W = 2.5	W = 5	W = 10
5	5	0	R8BX025-x	R8BX055-x	R8BX105-x
6	5	1	R8BX026-x	R8BX056-x	R8BX106-x
7	7	0	R8BX027-x	R8BX057-x	R8BX107-x
8	8	0	R8BX028-x	R8BX058-x	R8BX108-x
9	8	1	R8BX029-x	R8BX059-x	R8BX109-x
10	10	0	R8BX0210-x	R8BX0510-x	R8BX1010-x
11	10	1	R8BX0211-x	R8BX0511-x	R8BX1011-x
12	12	0	R8BX0212-x	R8BX0512-x	R8BX1012-x
13	12	1	R8BX0213-x	R8BX0513-x	R8BX1013-x
14	12	2	R8BX0214-x	R8BX0514-x	R8BX1014-x
15	15	0	R8BX0215-x	R8BX0515-x	R8BX1015-x
16	15	1	R8BX0216-x	R8BX0516-x	R8BX1016-x

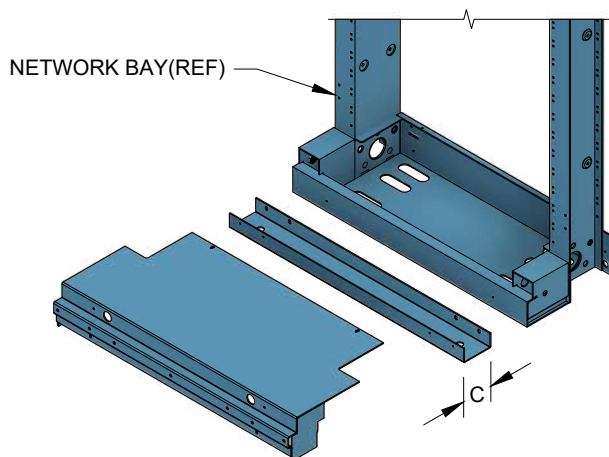
R8BX-SERIES

(04/25/23)



Moreng Telecom Products
973-237-2001
www.morengtel.com

NETWORK BAYS GUARD BOX EXTENSIONS (FOR 23" - R8 STYLE BAYS)



MATERIAL: CARBON STEEL

FINISH OPTIONS:

- x = 1: MTP GRAY
- x = 3: NETWORK BLUE
- x = 4: OFF WHITE
- OTHER FINISHES AVAILABLE

ALL ASSEMBLY HARDWARE INCLUDED

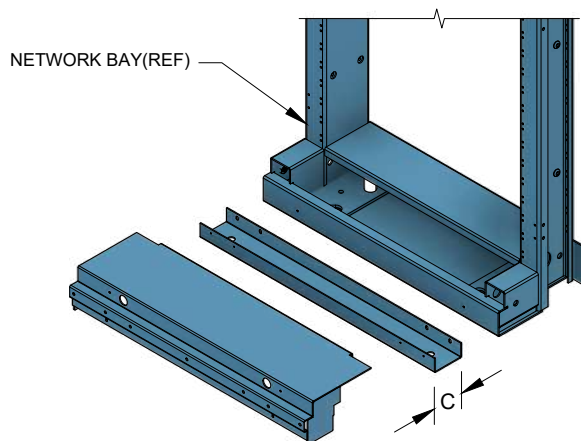
E = TOTAL COVER DEPTH FROM
UPRIGHT FACE

OTHER DEPTHS AVAILABLE

AVAILABLE FOR SPACERS

E	C	PART #
8	3	R8CE238-xK
10	5	R8CE2310-xK

NETWORK BAYS GUARD BOX EXTENSIONS (FOR R7 & LUCENT STYLE BAYS)



MATERIAL: CARBON STEEL

FINISH OPTIONS:

- x = 1: MTP GRAY
- x = 3: NETWORK BLUE
- x = 4: OFF WHITE
- OTHER FINISHES AVAILABLE

ALL ASSEMBLY HARDWARE INCLUDED

E = TOTAL COVER DEPTH FROM
UPRIGHT FACE

OTHER DEPTHS AVAILABLE

AVAILABLE FOR SPACERS

E	C	PART #
8	3	R8CE238L-xK
10	5	R8CE2310L-xK

(04/25/23)



Moreng Telecom Products
973-237-2001
www.morengtel.com

NETWORK BAY SPACERS GUARD BOX EXTENSIONS

MATERIAL: CARBON STEEL

FINISH OPTIONS:

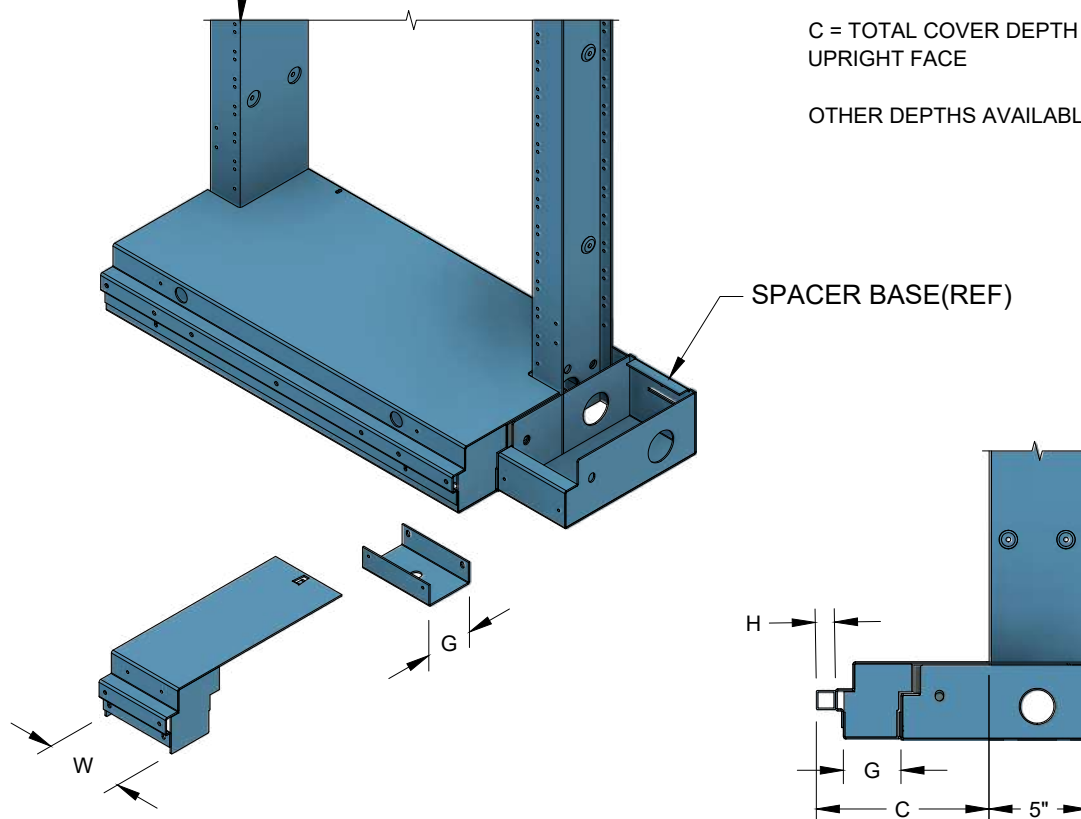
- x = 1: MTP GRAY
- x = 3: NETWORK BLUE
- x = 4: OFF WHITE
- OTHER FINISHES AVAILABLE

ALL ASSEMBLY HARDWARE INCLUDED

C = TOTAL COVER DEPTH FROM
UPRIGHT FACE

OTHER DEPTHS AVAILABLE

NETWORK BAY(REF)



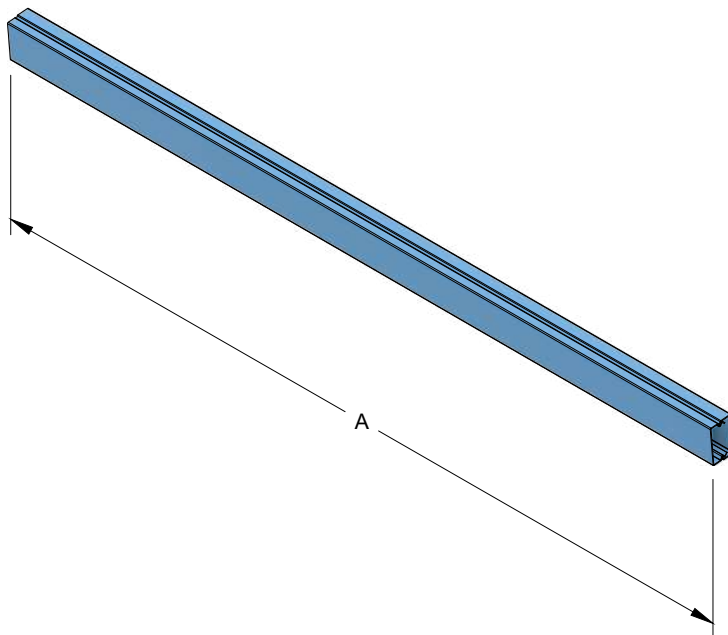
DIMENSIONS			SPACER GUARD BOX EXTENSIONS		
C	G	H	W = 2.5	W = 5	W = 10
8	3	0	R8CE0208-xK	R8CE0508-xK	R8CE1008-xK
9	3	1	R8CE0209-xK	R8CE0509-xK	R8CE1009-xK
10	3	2	R8CE0210-xK	R8CE0510-xK	R8CE1010-xK
11	3	2	R8CE0211-xK	R8CE0511-xK	R8CE1011-xK
13	8	0	R8CE0213-xK	R8CE0513-xK	R8CE1013-xK

(04/25/23)



Moreng Telecom Products
973-237-2001
www.morengtel.com

NETWORK BAYS BLANK POWER STRIPS



MATERIAL: CARBON STEEL

FINISH OPTIONS:

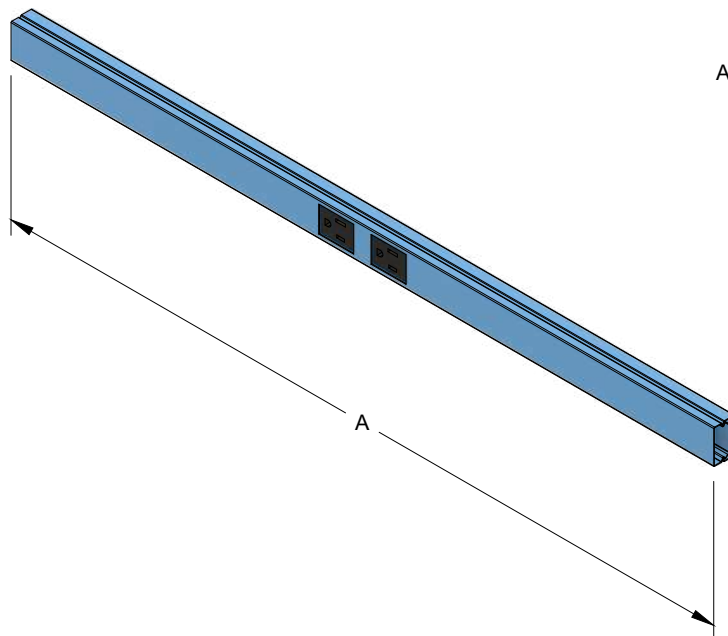
- x = 1: MTP GRAY
- x = 3: NETWORK BLUE
- x = 4: OFF WHITE
- OTHER FINISHES AVAILABLE

ALL ASSEMBLY HARDWARE INCLUDED

- COUPLINGS
- MOUNTING SCREWS

"A"	PART #
25.94	R8AB20-x
21.94	R8AB19-x
9.94	R8AB10-x
4.94	R8AB05-x
2.44	R8AB02-x

NETWORK BAYS POWER STRIPS



MATERIAL: CARBON STEEL

FINISH OPTIONS:

- x = 1: MTP GRAY
- x = 3: NETWORK BLUE
- x = 4: OFF WHITE
- OTHER FINISHES AVAILABLE

ALL ASSEMBLY HARDWARE INCLUDED

- PRE-WIRED DUAL RECEPTACLE
- COUPLINGS & END CAPS
- MOUNTING SCREWS

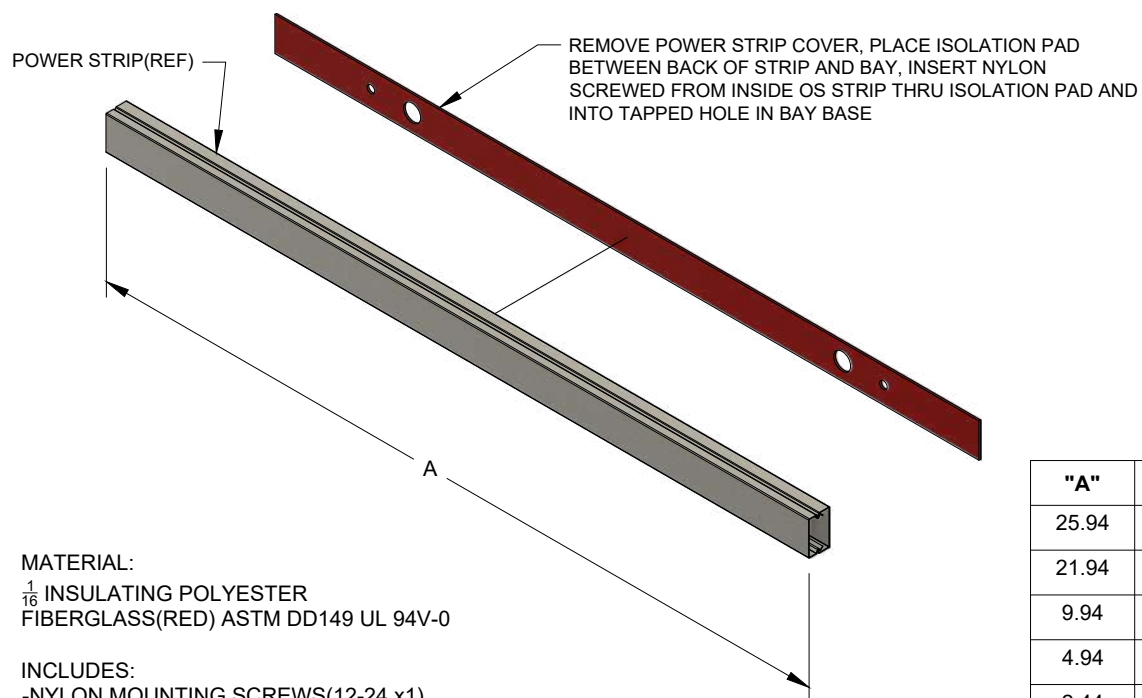
"A"	PART #
25.94	R8AC20-x
21.94	R8AC19-x

(04/25/23)



Moreng Telecom Products
973-237-2001
www.morengtel.com

NETWORK BAYS POWER & BLANK STRIP ISOLATION KITS



"A"	PART #
25.94	GP-8-AB20
21.94	GP-8-AB19
9.94	GP-8-AB10
4.94	GP-8-AB05
2.44	GP-8-AB02

(04/25/23)



Moreng Telecom Products
 973-237-2001
www.morengtel.com

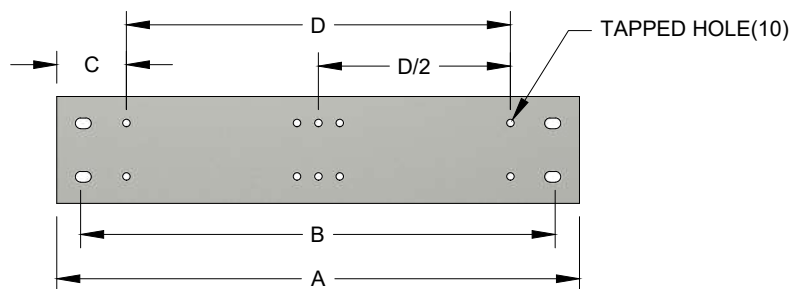
**NETWORK BAYS JUNCTION
PLATE KITS BAY TO BAY or
BAY TO HEAVY END GUARDS**

MATERIAL: CARBON STEEL

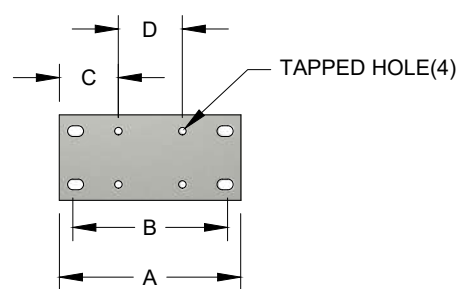
FINISH OPTIONS:

- x = 1: MTP GRAY
- x = 3: NETWORK BLUE
- x = 4: OFF WHITE
- OTHER FINISHES AVAILABLE

ALL ASSEMBLY HARDWARE INCLUDED



10" SPACER PLATE FOR:
(1) 10" PANEL or (2) 5" PANELS



0" TO 5" SPACE

SPACE	A	B	C	D	PART #
2.50	4.25	3.50	1.38	1.50	R8-301-xK
5.00	6.75	6.00	1.38	4.00	R8-302-xK
0.00	1.75	1.00	0.00	0.00	R8-306-xK
10.00	12.12	11.00	1.38	9.00	R8-395M-xK

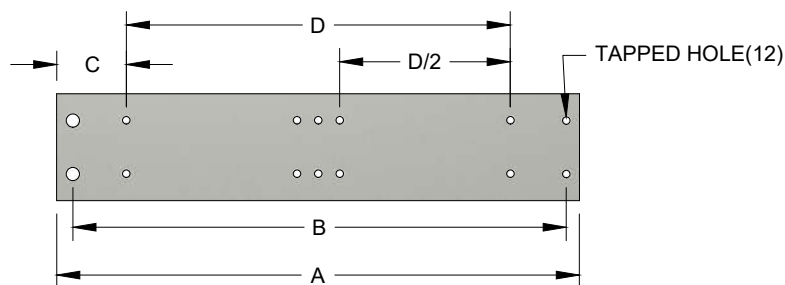
**NETWORK BAYS JUNCTION
PLATE KITS BAY TO LIGHT
WEIGHT END GUARD**

MATERIAL: CARBON STEEL

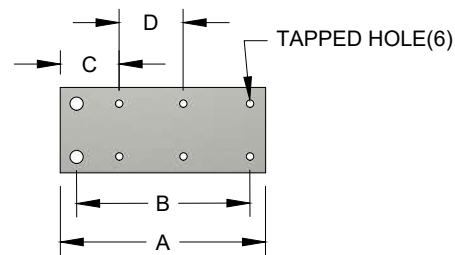
FINISH OPTIONS:

- x = 1: MTP GRAY
- x = 3: NETWORK BLUE
- x = 4: OFF WHITE
- OTHER FINISHES AVAILABLE

ALL ASSEMBLY HARDWARE INCLUDED



10" SPACER PLATE FOR:
(1) 10" PANEL or (2) 5" PANELS



0" TO 5" SPACE

SPACE	A	B	C	D	PART #
2.50	4.81	4.06	1.38	1.50	R8-303-xK
5.00	7.31	6.56	1.38	4.00	R8-313-xK
0.00	2.25	1.56	0.00	0.00	R8-311-xK
10.00	12.31	11.56	1.38	4.50	R8-396M-xK

(04/25/23)



Moreng Telecom Products
973-237-2001
www.morengtel.com

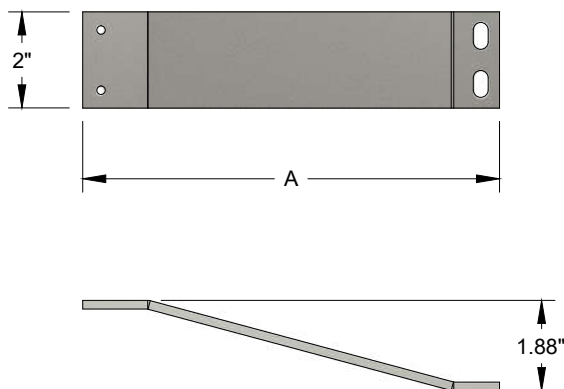
NETWORK BAYS STANDARD BRACE KITS FOR LIGHT WEIGHT END GUARDS

MATERIAL: CARBON STEEL

FINISH OPTIONS:

- x = 1: MTP GRAY
- x = 3: NETWORK BLUE
- x = 4: OFF WHITE
- OTHER FINISHES AVAILABLE

ALL ASSEMBLY HARDWARE INCLUDED



SPACE	A	PART #
2.50	6.22	R8-307-xK
5.00	8.72	R8-317-xK
0.00	3.75	R8-308-xK
10.00	13.72	R8-394-xK

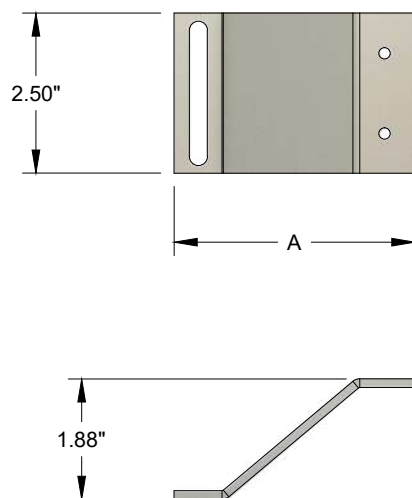
NETWORK BAYS ADJUSTABLE BRACE KITS FOR LIGHT WEIGHT END GUARDS

MATERIAL: CARBON STEEL

FINISH OPTIONS:

- x = 1: MTP GRAY
- x = 3: NETWORK BLUE
- x = 4: OFF WHITE
- OTHER FINISHES AVAILABLE

ALL ASSEMBLY HARDWARE INCLUDED



SPACE	A	PART #
2.50	6.22	R8-377-xK
5.00	8.72	R8-379-xK
0.00	3.75	R8-378-xK
10.00	13.72	R8-380-xK

(04/25/23)



Moreng Telecom Products
973-237-2001
www.morengtel.com

NETWORK BAYS END GUARD BRACE KITS ADJUSTABLE

MATERIAL: CARBON STEEL

FINISH OPTIONS:

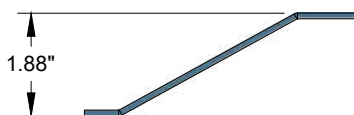
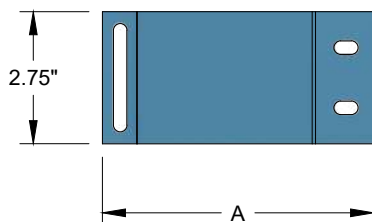
x = 1: MTP GRAY

x = 3: NETWORK BLUE

x = 4: OFF WHITE

OTHER FINISHES AVAILABLE

ALL ASSEMBLY HARDWARE INCLUDED



SPACE	A	PART #
0	3.15	R7-400-xK
2.50	5.65	R7-402-xK
5.00	8.15	R7-405-xK
10.00	13.15	R7-410-xK

NETWORK BAYS REAR JUNCTION BRACKET KIT

MATERIAL: CARBON STEEL

FINISH OPTIONS:

STANDARD IS GRAY (QW907-D6K)

QW907-D6K-x

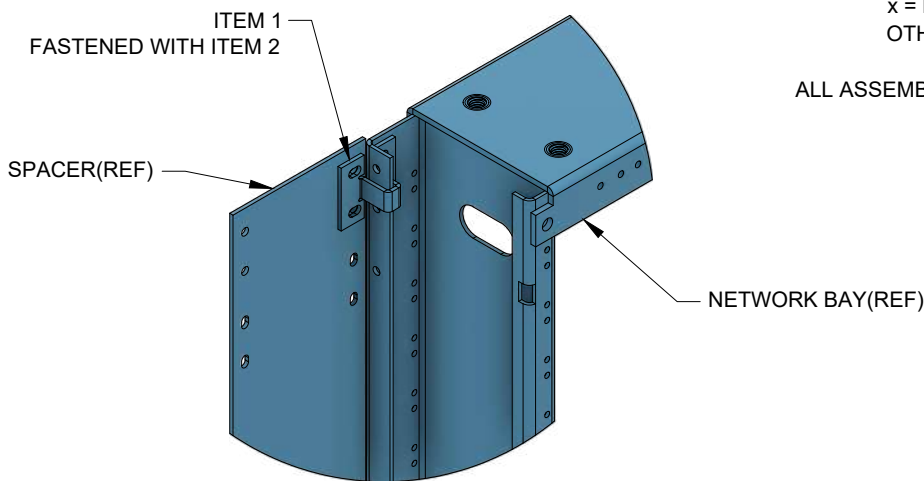
x = 3: NETWORK BLUE

x = 4: OFF WHITE

x = B: BLACK

OTHER FINISHES AVAILABLE

ALL ASSEMBLY HARDWARE INCLUDED



ITEM	DESCRIPTION	QW907-D6K
1	SPACER REAR JUNCTION BKT	3
2	12-24 X 1/4 STL PHIL PHMS ZC	12

(04/25/23)



Moreng Telecom Products
973-237-2001
www.morengtel.com

NETWORK BAY VELCRO PANEL SPACERS (10" DEPTH: 5 - 5 - 0 CONFIG)

MATERIAL: CARBON STEEL

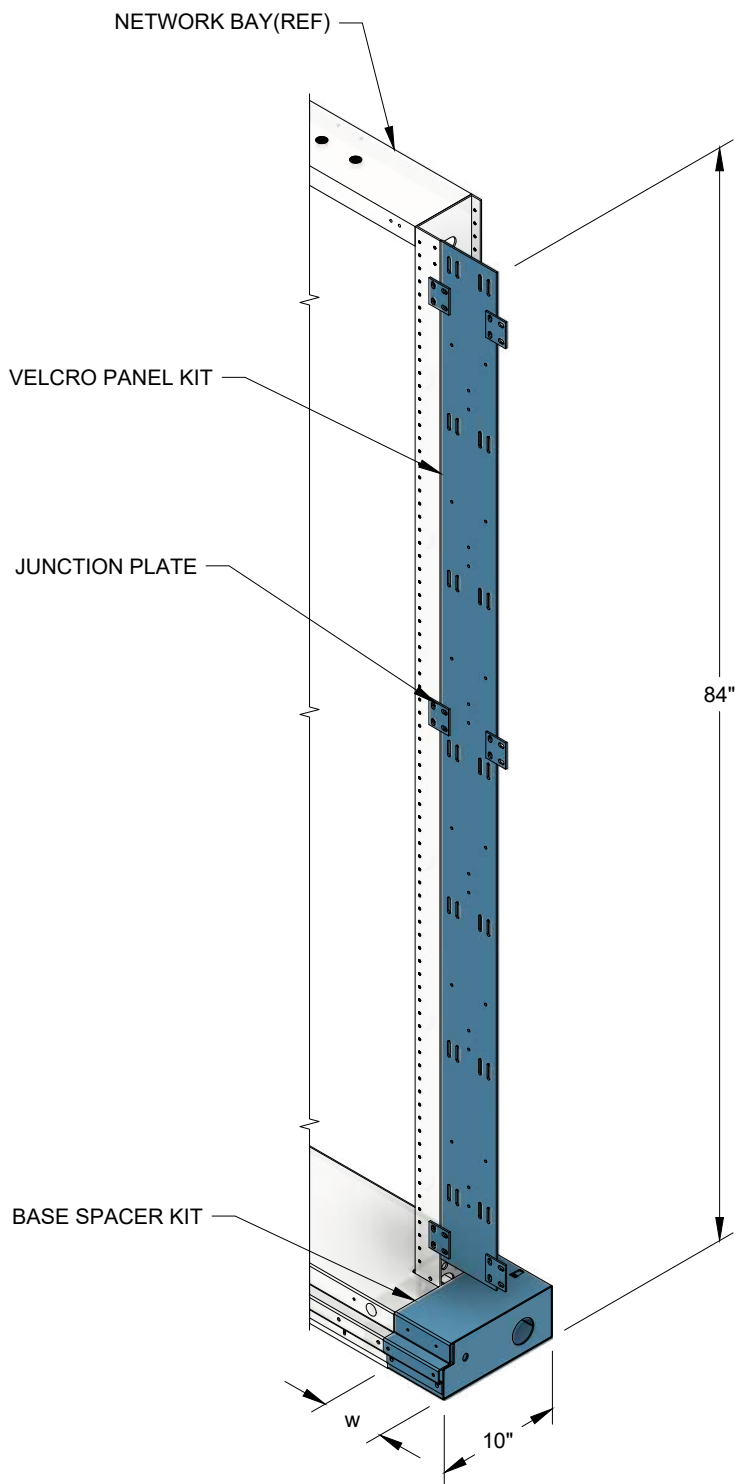
FINISH OPTIONS:

- x = 1: MTP GRAY
- x = 3: NETWORK BLUE
- x = 4: OFF WHITE
- OTHER FINISHES AVAILABLE

ALL ASSEMBLY HARDWARE INCLUDED

BASE DEPTH OPTIONS:

SEE PAGE 5-03 FOR CODES



"H"	"W"	PART #
84	2.5	A57VP0840210-x
84	5.0	A57VP0840510-x
84	10.0	A57VP0841010-x

(03/16/24)



Moreng Telecom Products
973-237-2001
www.morengtel.com

NETWORK BAY END GUARD (WITH VELCRO PANEL SPACER)

MATERIAL: CARBON STEEL

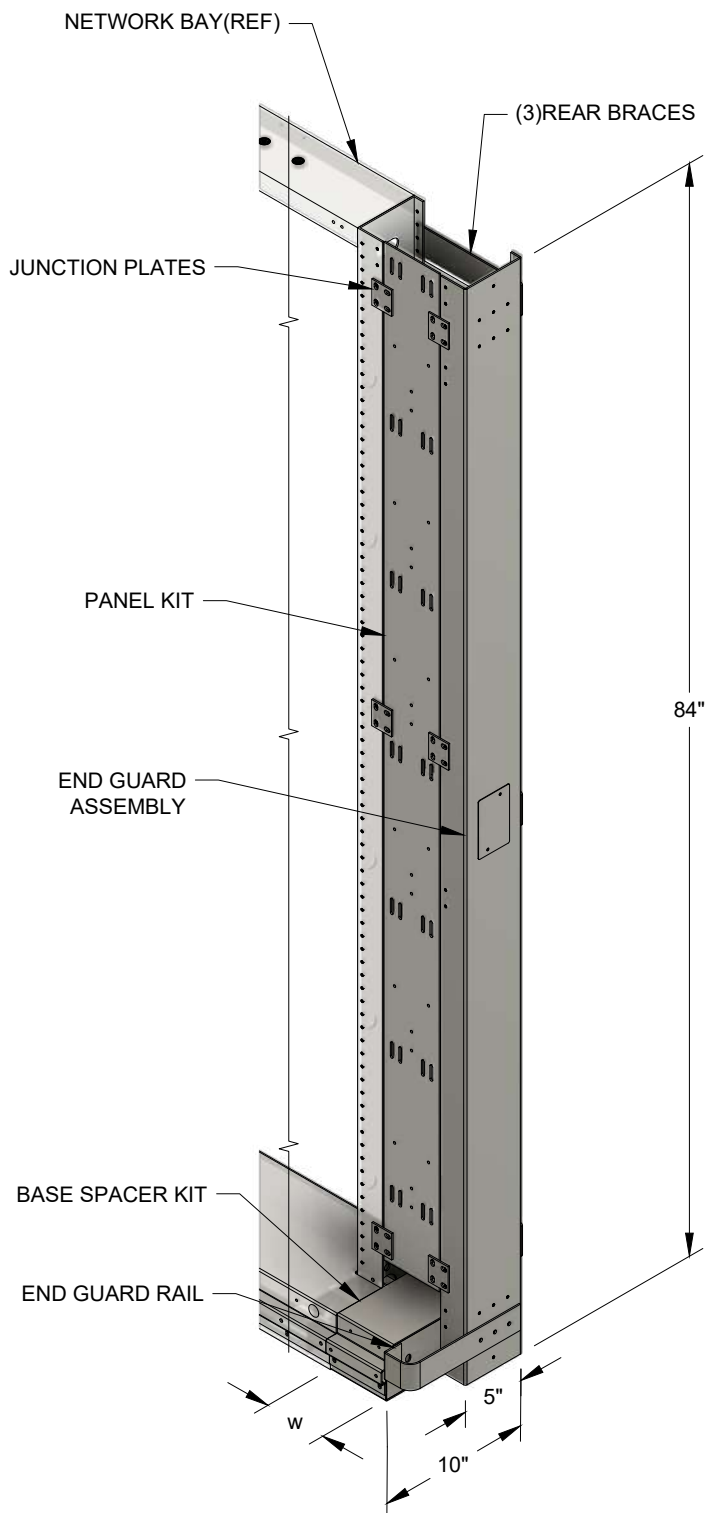
FINISH OPTIONS:

- x = 1: MTP GRAY
- x = 3: NETWORK BLUE
- x = 4: OFF WHITE
- OTHER FINISHES AVAILABLE

ALL ASSEMBLY HARDWARE INCLUDED

BASE DEPTH OPTIONS:

SEE PAGE 5-03 FOR CODES



"H"	"W"	PART #
84	2.5	A57EVP0210-x
84	5.0	A57EVP0510-x
84	10.0	A57EVP1010-x

(03/16/24)



Moreng Telecom Products
973-237-2001
www.morengtel.com

NETWORK BAY END GUARD (WITH VELCRO PANEL SPACER: OPEN BASE)

MATERIAL: CARBON STEEL

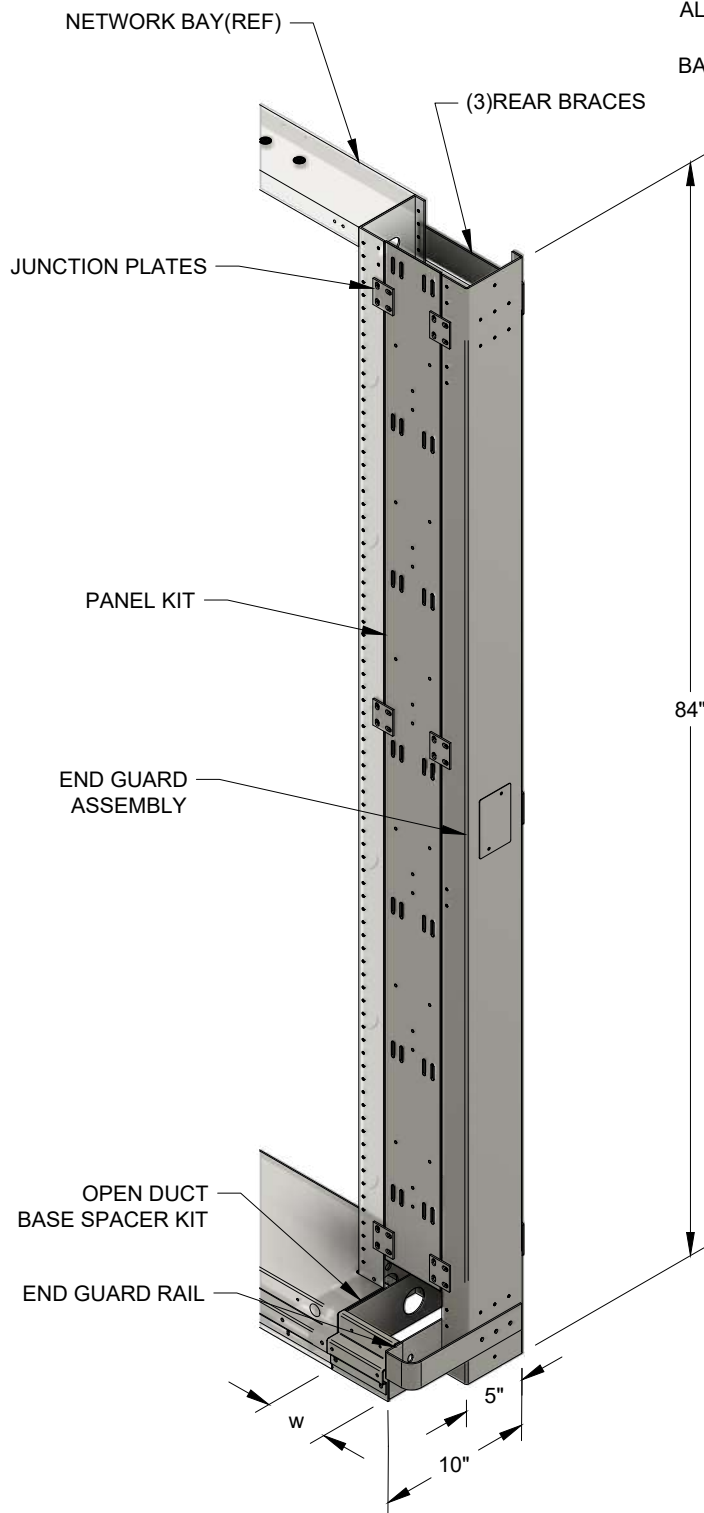
FINISH OPTIONS:

- x = 1: MTP GRAY
- x = 3: NETWORK BLUE
- x = 4: OFF WHITE
- OTHER FINISHES AVAILABLE

ALL ASSEMBLY HARDWARE INCLUDED

BASE DEPTH OPTIONS:

SEE PAGE 5-03 FOR CODES



"H"	"W"	PART #
84	2.5	A57VP0840210RF-x
84	5.0	A57VP0840510RF-x

(03/16/24)



Moreng Telecom Products
973-237-2001
www.morengtel.com

UNEQUAL FLANGE BAYS



UNEQUAL FLANGE BAYS

R4R SERIES (SEISMIC ZONE 2)

R3R SERIES (SEISMIC ZONE 4)

- **PHYSICAL DESCRIPTION**

7' Environment: All 7' UEF Bay configurations contain a welded steel frame structural component. The welded frame consists of a 26" or 22" wide x 10" deep base, two 5" deep x 84" high unequal flange uprights and a top channel. There is a 6" high guard box located either on the closed duct side of the uprights (large flange) or the open duct side (small flange). Both flanges of the uprights are drilled and tapped for either 1.75" (1.25 - .50 ctrs) or 2" (1" ctrs) mounting patterns. The floor mounting holes in the base meet the requirements of NEBS GR-63. Standard finishes are Telco Gray, Network Blue or Off-White.

26" wide bays are nominally referred to as 23" bays.

22" wide bays are nominally referred to as 19" bays.

8', 9', 10' & 11'-6" Environments: The most common method to achieve these taller environments is to utilize a 7' network bay with an extender. Moreng extenders come in several different heights (12", 24", 36", 54" and 56"). The extender bolts to the top of the network bay and should be supported to the overhead grid. In seismic applications, the extender is designed not to accept equipment. The other option to reach these desired heights is to install a network bay that is made to the specific height.

Foot Print Depths: Rear Guard Rail Kits and Front Guard Box Extensions are added to the welded 10" deep frame for building out to the required foot print depths, which the equipment being mounted requires for protection. (See page 6-02) The most common bay configurations are diagramed on the following pages.

- **NEBS EARTHQUAKE & VIBRATION CERTIFICATION - (23" BAYS ONLY)**

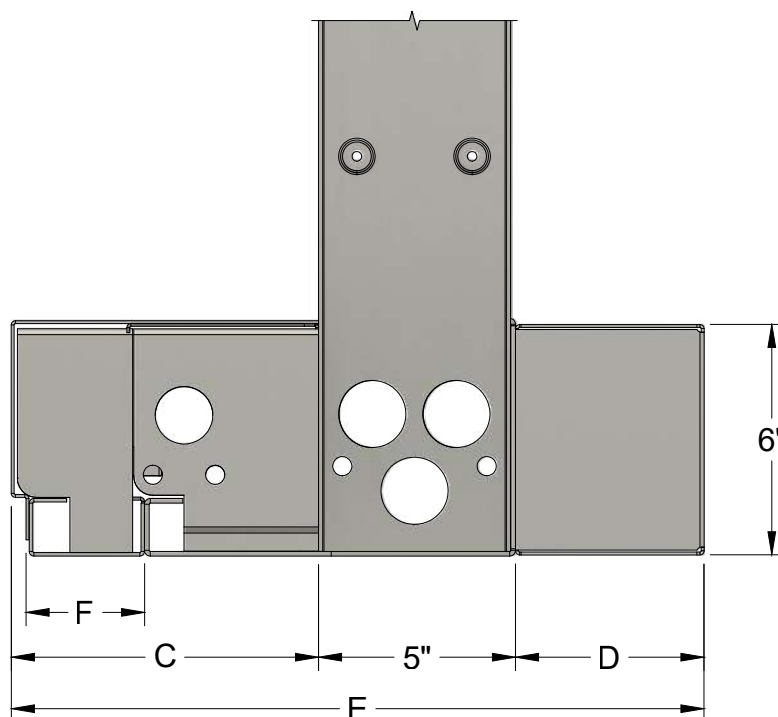
R4R Series Bay: Our 7' UEF Bays have been tested and certified to NEBS GR-63 Level 2 (seismic zones 0-2) requirements. The bays were tested for an equally distributed equipment load of 500 pounds.

R3R Series Bay: Our 7' UEF Network Bays have been tested and certified to NEBS GR-63 Level 3 (seismic zones 3 & 4) requirements. The bays were tested for an equally distributed equipment load of 500 pounds.

R7R Series Bay Extenders: Our 7' Seismic Network Bay Extenders have been tested and certified to NEBS GR-63 Level 3 (seismic zones 3 & 4) requirements. The empty extender with 50# top load was mounted on top of a 7' R7R bay, which contained an equally distributed equipment load of 520 #s. The bay extender is manufactured so that NO equipment can be mounted in it.



UEF BAY FOOTPRINT CONFIGURATION NUMBERS & CODES



BAY PART # - R a R hhh ww m c - x

a = 7 FOR SEISMIC
= 8 FOR ZONE 0-2

hhh = BAY HEIGHT(INCHES)

ww = NOMINAL BAY WIDTH 19" OR 23"

m = RACK MOUNTING PATTERN
1 = 1.75" EIA
2 = 1.00" WECCO

c = FOOT PRINT CODE
SEE TABLE BELOW

x = FINISH, 1 = MTP GRAY, 3 = NETWORK BLUE, 4 = OFF WHITE

				CONFIG CODE 'c'	
				GB BOX FLANGE	
E	C	F	D	LARGE	SMALL
10	5	0	0	A	M
11	6	0	0	P	Q
12	5	0	2	R	D
15	5	0	5	B	V
16	5	0	6	G	H
16	6	0	5	E	F
18	5	0	8	J	K
20	5	0	10	L	Z
21	8	3	8	W	X

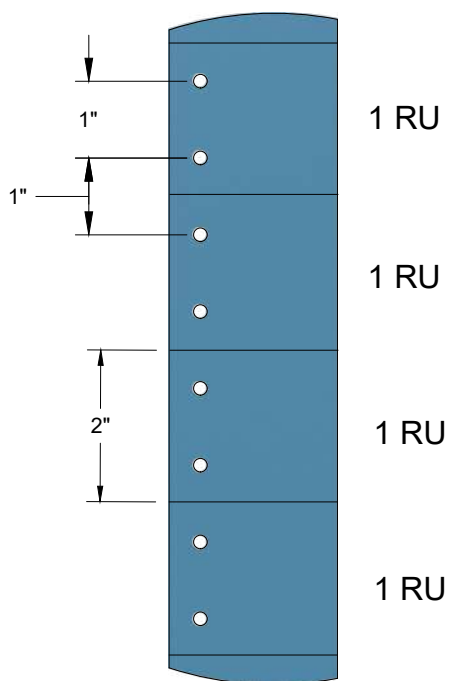
(04/26/23)



Moreng Telecom Products
973-237-2001
www.morengtel.com

BAY RU GUIDE

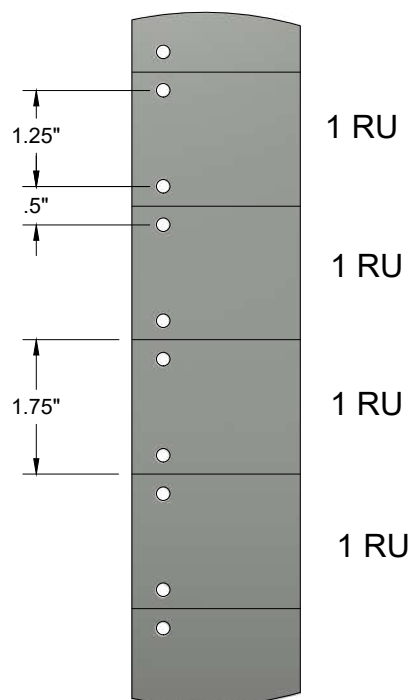
FOR ALL NETWORK(R4), SEISMIC(R3), 23", AND 19" BAYS



1 RU EQUALS 2"

2" MTG PATTERN

BAY HEIGHT	# OF RU
7'	39
8'	44
9'	50
11'6"	65



1 RU EQUALS 1.75"

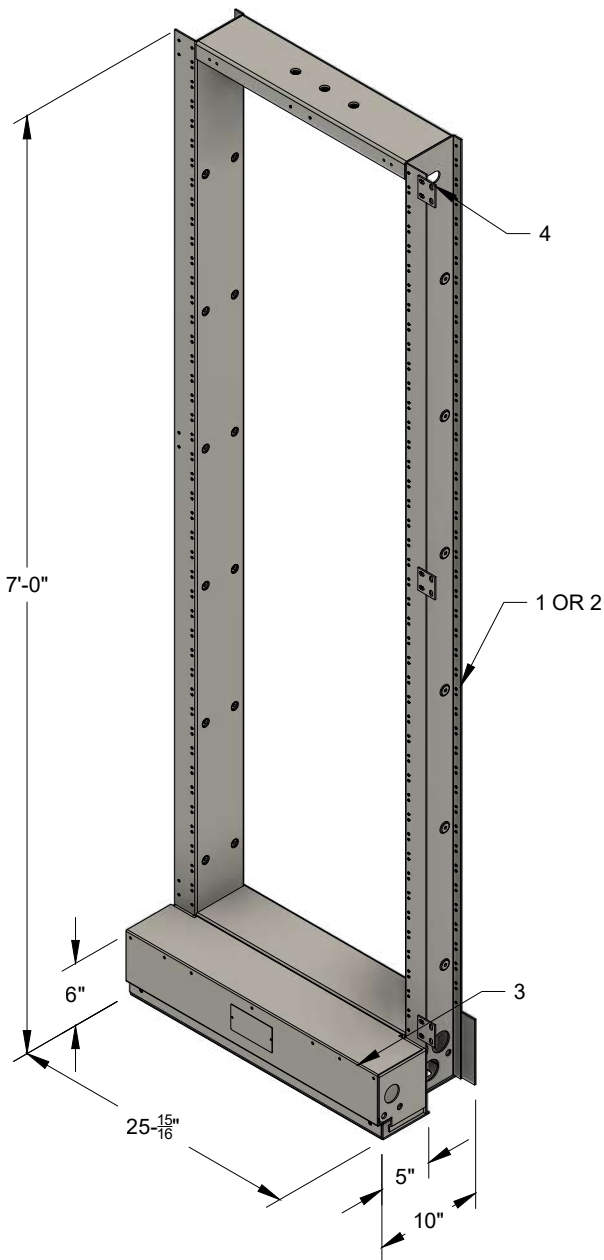
1-3/4" MTG PATTERN

BAY HEIGHT	# OF RU
7'	44
8'	50
9'	57
11'6"	74



R4R SERIES BAYS - UEF
 (10 x 26 FOOTPRINT)
 CLOSED DUCT
 7' HIGH

STOCK LIST			
ITEM#	Description	R4R084231A-x	R4R084232A-x
1	R4 BAY, 7" x 23 - REAR CABLED-1.75	1	
2	R4 BAY, 7" x 23 - REAR CABLED-2.00		1
3	R3/R4 COVER, FRONT 5" X 23	1	1
4	R4 JUNCTION KIT	1	1



MATERIAL: CARBON STEEL

FINISH OPTIONS:
 x = 1: MTP GRAY
 x = 3: NETWORK BLUE
 x = 4: OFF WHITE
 OTHER FINISHES AVAILABLE

ALL ASSEMBLY HARDWARE INCLUDED

BASE DEPTH OPTIONS:
 SEE PAGE 6-02 FOR CODES



FLOOR MOUNTING
 (PER GR-63-CORE-FIG 2-1)
 (FLOOR ANCHORS - NOT INCLUDED)

FOR HEIGHTS OVER 7' ORDER BAY
 EXTENDER: SEE 6-07, 6-08

MTG PATTERN	PART #
1.75 x 23(44)	R4R084231A-x
2.00 x 23(38)	R4R084232A-x

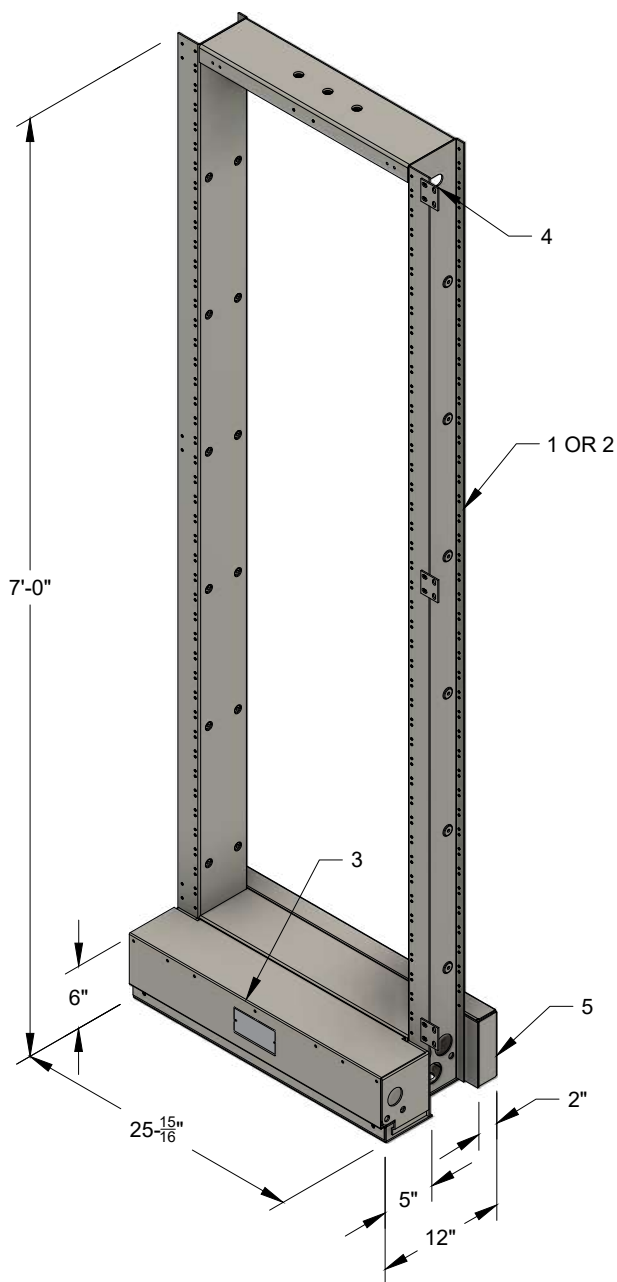
(04/26/23)



Moreng Telecom Products
 973-237-2001
 www.morengtel.com

R4R SERIES BAYS - UEF
 (12" x 26" FOOTPRINT)
 CLOSED DUCT
 7' HIGH

STOCK LIST			
ITEM#	Description	R4R084231R-x	R4R084232R-x
1	R4 BAY, 7" x 23 - REAR CABLED-1.75	1	
2	R4 BAY, 7" x 23 - REAR CABLED-2.00		1
3	R3/R4 COVER, FRONT 5" X 23	1	1
4	R4 JUNCTION KIT	1	1
5	GUARD RAIL 2"	1	1



MATERIAL: CARBON STEEL

FINISH OPTIONS:
 x = 1: MTP GRAY
 x = 3: NETWORK BLUE
 x = 4: OFF WHITE
 OTHER FINISHES AVAILABLE

ALL ASSEMBLY HARDWARE INCLUDED

BASE DEPTH OPTIONS:
 SEE PAGE 6-02 FOR CODES



FLOOR MOUNTING
 (PER GR-63-CORE-FIG 2-1)
 (FLOOR ANCHORS - NOT INCLUDED)

FOR HEIGHTS OVER 7' ORDER BAY
 EXTENDER: SEE 6-07, 6-08

MTG PATTERN	PART #
1.75 x 23(44)	R4R084231R-x
2.00 x 23(38)	R4R084232R-x

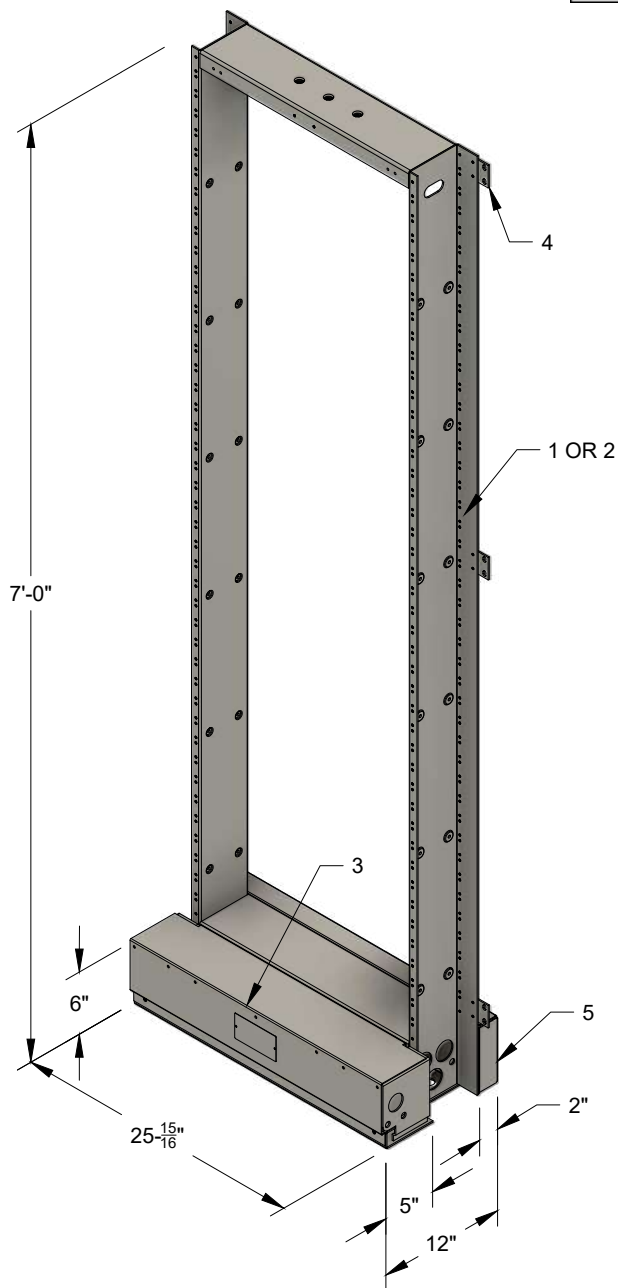
(04/26/23)



Moreng Telecom Products
 973-237-2001
 www.morengtel.com

R4R SERIES BAYS - UEF
 (12" x 26" FOOTPRINT)
 OPEN DUCT
 7' HIGH

STOCK LIST			
ITEM#	Description	R4R084231D-x	R4R084232D-x
1	R4 BAY, 7" x 23 - FRONT CABLED-1.75	1	
2	R4 BAY, 7" x 23 - FRONT CABLED-2.00		1
3	R3/R4 COVER, FRONT 5" X 23	1	1
4	R4 JUNCTION KIT	1	1
5	GUARD RAIL 2"	1	1



MATERIAL: CARBON STEEL

FINISH OPTIONS:
 x = 1: MTP GRAY
 x = 3: NETWORK BLUE
 x = 4: OFF WHITE
 OTHER FINISHES AVAILABLE

ALL ASSEMBLY HARDWARE INCLUDED

BASE DEPTH OPTIONS:
 SEE PAGE 6-02 FOR CODES



FLOOR MOUNTING
 (PER GR-63-CORE-FIG 2-1)
 (FLOOR ANCHORS - NOT INCLUDED)

FLOOR MOUNTING
 (PER GR-63-CORE-FIG 2-1)
 (FLOOR ANCHORS - NOT INCLUDED)

FOR HEIGHTS OVER 7' ORDER BAY
 EXTENDER: SEE 6-07, 6-08

MTG PATTERN	PART #
1.75 x 23(44)	R4R084231D-x
2.00 x 23(38)	R4R084232D-x

(04/26/23)



Moreng Telecom Products
 973-237-2001
 www.morengtel.com

NETWORK BAY EXTENDERS (SEISMIC ZONES 0-2)

MATERIAL: CARBON STEEL

FINISH OPTIONS:

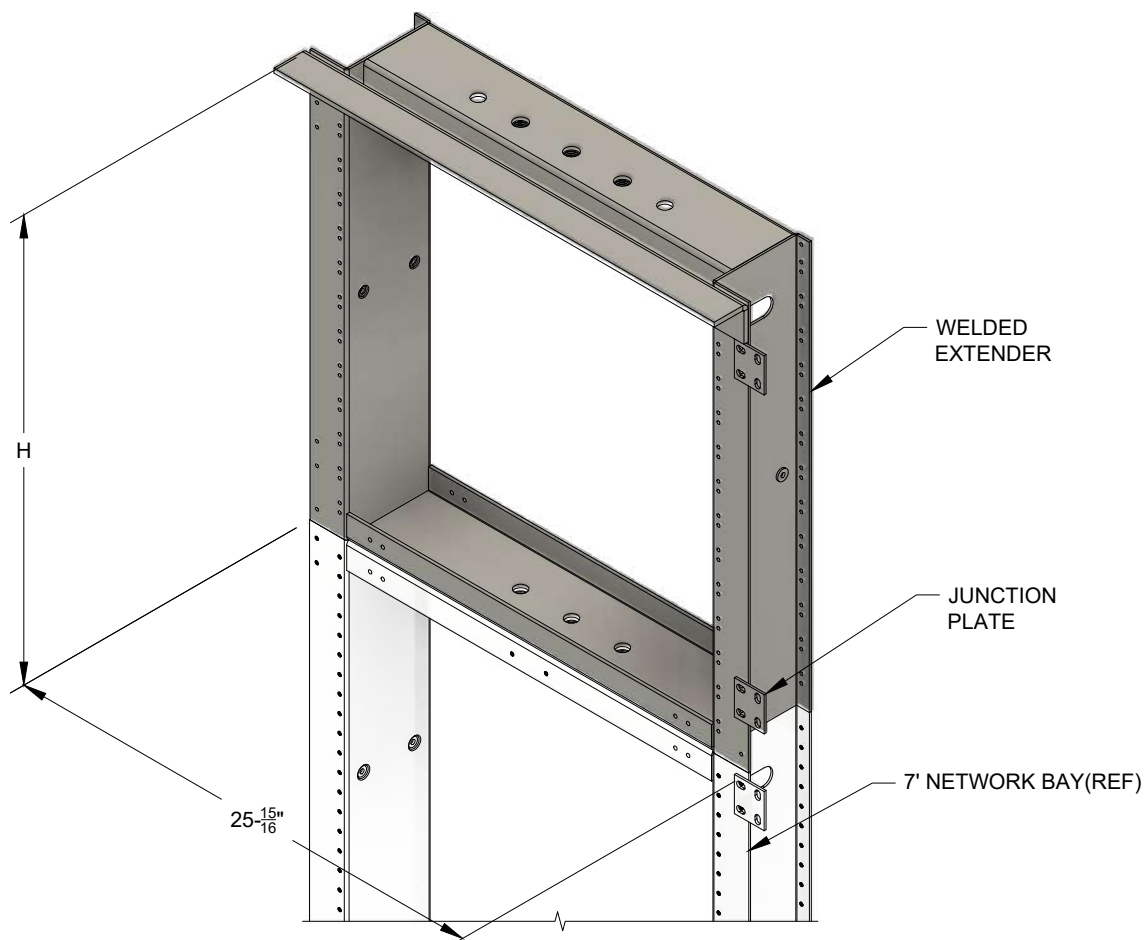
x = 1: MTP GRAY

x = 3: NETWORK BLUE

x = 4: OFF WHITE

OTHER FINISHES AVAILABLE

ALL ASSEMBLY HARDWARE INCLUDED



H	MTG PATTERN	PART #
12	1.75 X 23	R4R012231-x
12	2.00 X 23	R4R012232-x
24	1.75 X 23	R4R024231-x
24	2.00 X 23	R4R024232-x
54	1.75 X 23	R4R054231-x
54	2.00 X 23	R4R054232-x

(04/26/23)



Moreng Telecom Products
973-237-2001
www.morengtel.com

NETWORK BAY EXTENDERS (TOP ANGLE ON SMALL FLANGE)

MATERIAL: CARBON STEEL

FINISH OPTIONS:

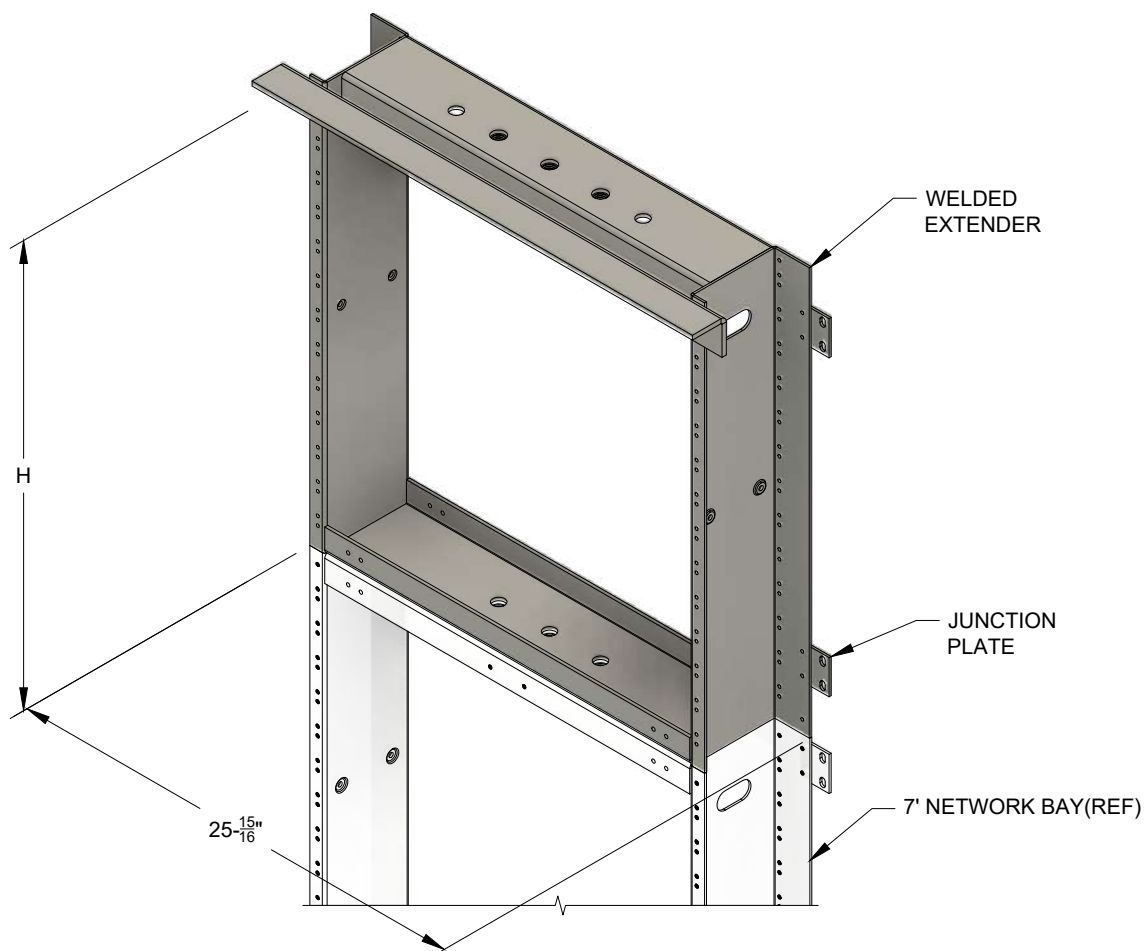
x = 1: MTP GRAY

x = 3: NETWORK BLUE

x = 4: OFF WHITE

OTHER FINISHES AVAILABLE

ALL ASSEMBLY HARDWARE INCLUDED



H	MTG PATTERN	PART #
12	1.75 X 23	R4R012231A-x
12	2.00 X 23	R4R012232A-x
24	1.75 X 23	R4R024231A-x
24	2.00 X 23	R4R024232A-x
54	1.75 X 23	R4R054231A-x
54	2.00 X 23	R4R054232A-x

(04/26/23)



Moreng Telecom Products
973-237-2001
www.morengtel.com

UNEQUAL FLANGE BAY SPACERS (10" DEPTH: 5 - 5 - 0 CONFIGURATION)

MATERIAL: CARBON STEEL

FINISH OPTIONS:

x = 1: MTP GRAY

x = 3: NETWORK BLUE

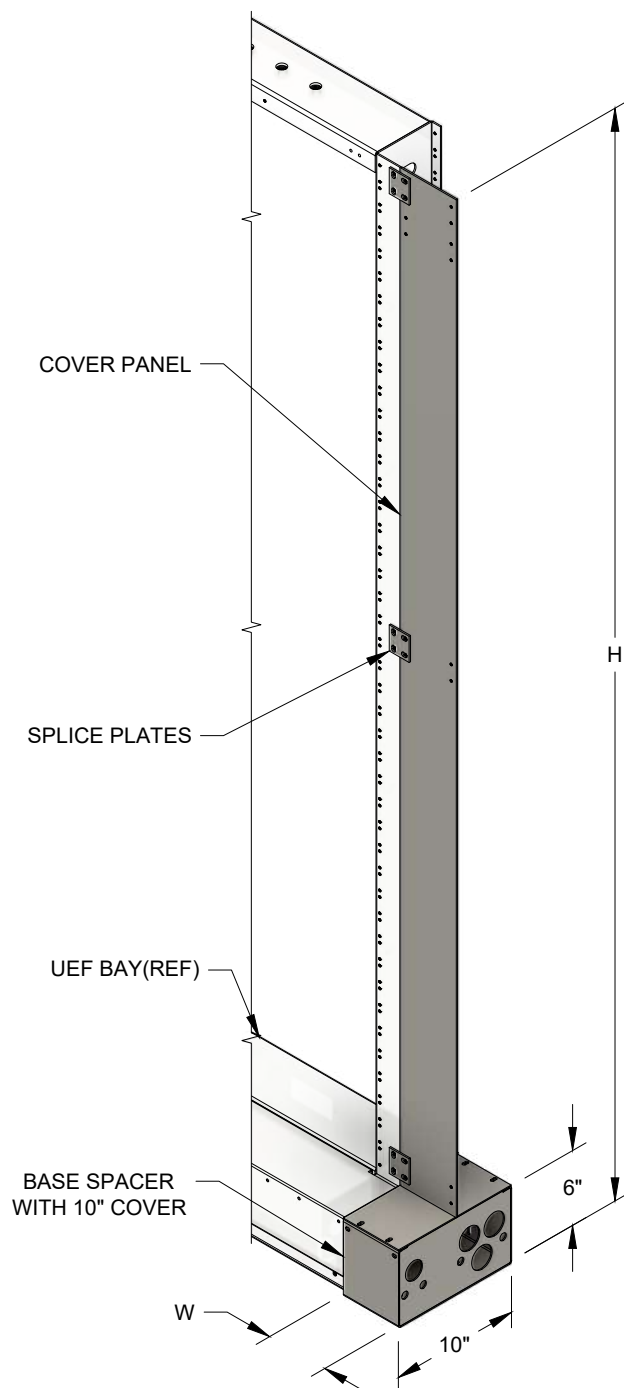
x = 4: OFF WHITE

OTHER FINISHES AVAILABLE

ALL ASSEMBLY HARDWARE INCLUDED

BASE DEPTH OPTIONS:

SEE PAGE 6-03 FOR CODES



H	W	PART#
84	2.5	R2SP0842A-x
84	5	R2SP0845A-x
84	10	R2SP08410A-x
108	2.5	R2SP1082A-x
108	5	R2SP1085A-x
108	10	R2SP10810A-x
138	2.5	R2SP1382A-x
138	5	R2SP1385A-x
138	10	R2SP13810A-x

(04/26/23)



Moreng Telecom Products
973-237-2001
www.morengtel.com

UEF BAY SPACERS WITHOUT COVER PANELS (10" DEPTH: 5 - 5 - 0 CONFIGURATION)

MATERIAL: CARBON STEEL

FINISH OPTIONS:

x = 1: MTP GRAY

x = 3: NETWORK BLUE

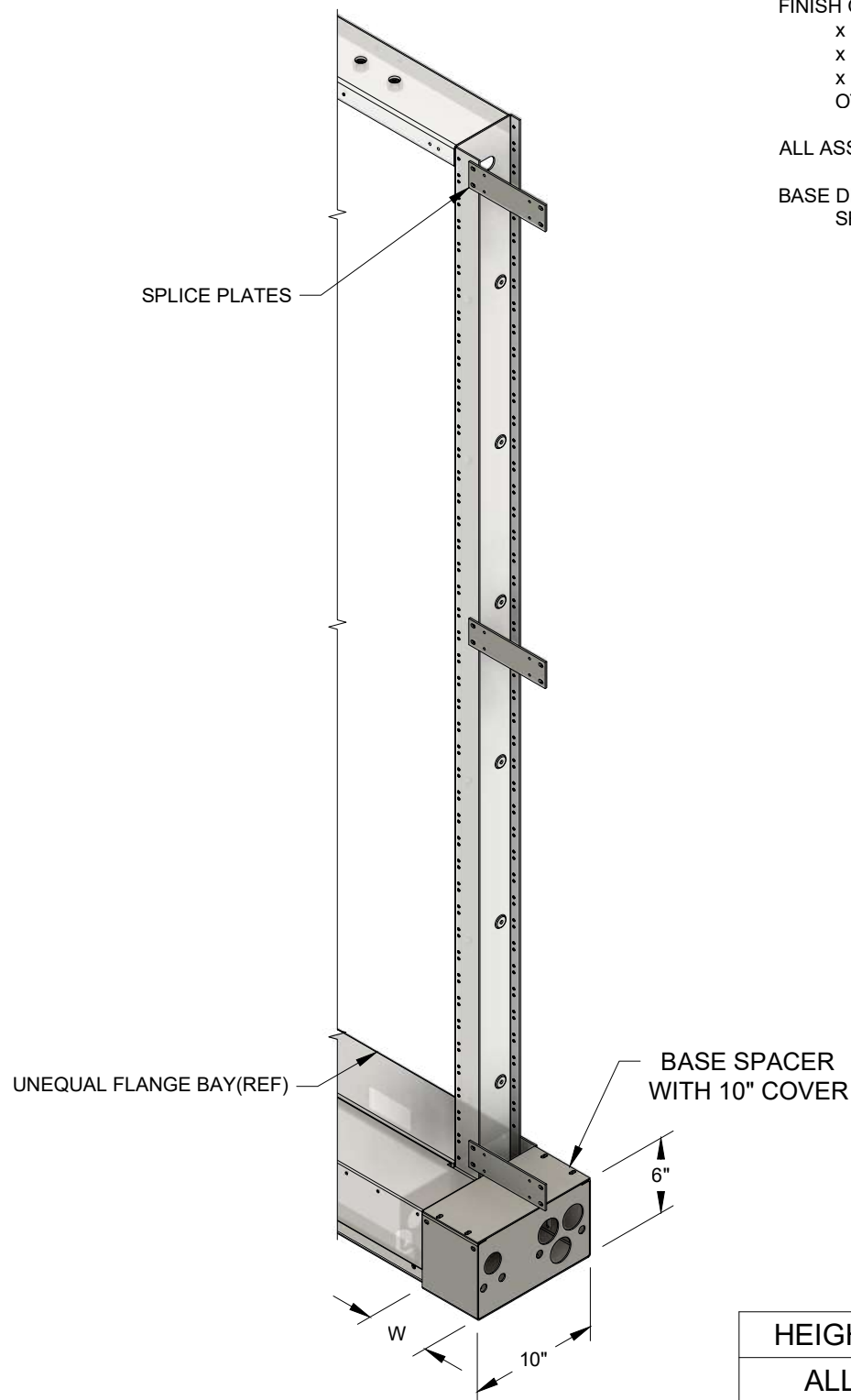
x = 4: OFF WHITE

OTHER FINISHES AVAILABLE

ALL ASSEMBLY HARDWARE INCLUDED

BASE DEPTH OPTIONS:

SEE PAGE 6-03 FOR CODES



HEIGHT	W	PART#
ALL	2.5	R2SP2-x
ALL	5.0	R2SP5-x

(04/26/23)



Moreng Telecom Products
973-237-2001
www.morengtel.com

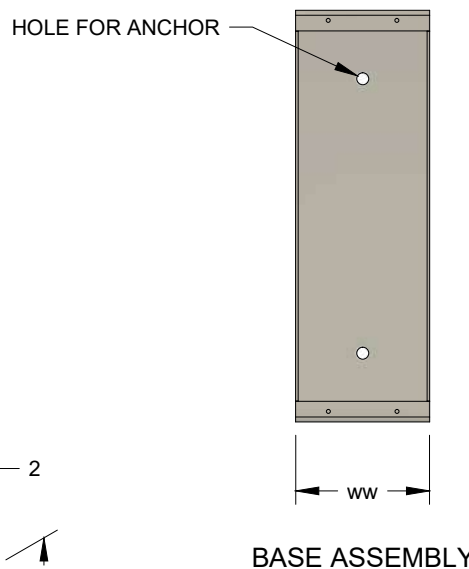
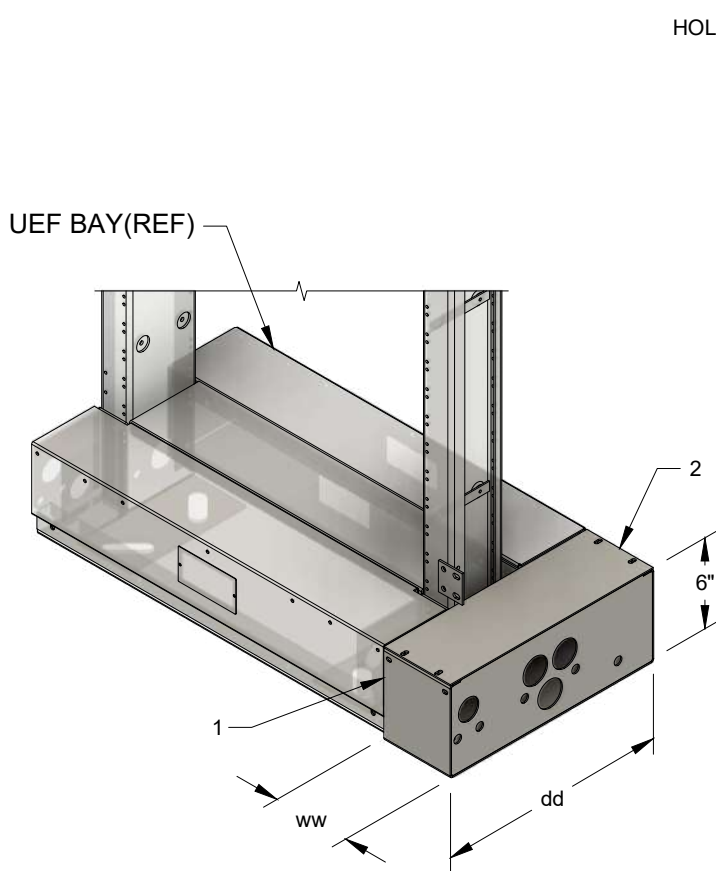
UEF SPACER BASE KITS WITHOUT COVER PANELS (5" FRONT GUARD RAIL)

MATERIAL: CARBON STEEL

FINISH OPTIONS:

- x = 1: MTP GRAY
- x = 3: NETWORK BLUE
- x = 4: OFF WHITE
- OTHER FINISHES AVAILABLE

ALL ASSEMBLY HARDWARE INCLUDED



dd	ww	PART #
10	2.5	A5SP0210-x
10	5	A5SP0510-x
10	10	A5SP1010-x
12	2.5	A5SP0212-x
12	5	A5SP0512-x
12	10	A5SP1012-x
15	2.5	A5SP0215-x
15	5	A5SP0515-x
15	10	A5SP1015-x
16	2.5	A5SP0216-x
16	5	A5SP0516-x
16	10	A5SP1016-x
17	2.5	A5SP0217-x
17	5	A5SP0517-x
17	10	A5SP1017-x

ITEM	DESCRIPTION	QTY
1	UEF SPACER BASE BOX	1
2	UEF SPACER BASE BOX COVER	1

(04/26/23)



Moreng Telecom Products
973-237-2001
www.morengtel.com

UNEQUAL FLANGE BAY END COVER (RIGHT OR LEFT) 5" WITH SWITCH CUT OUT

MATERIAL: CARBON STEEL

FINISH OPTIONS:

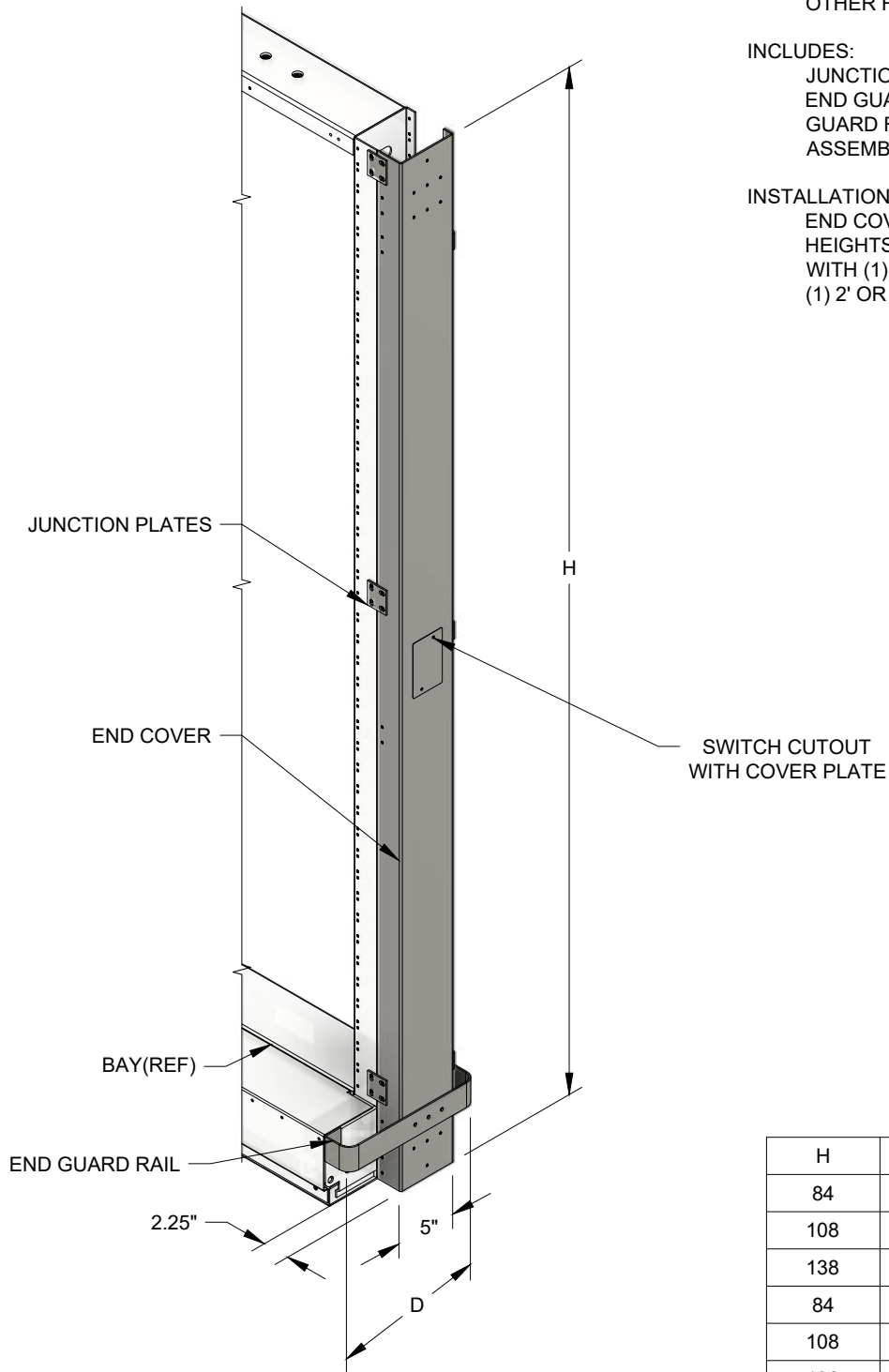
- x = 1: MTP GRAY
- x = 3: NETWORK BLUE
- x = 4: OFF WHITE
- OTHER FINISHES AVAILABLE

INCLUDES:

- JUNCTION PLATES
- END GUARD ASSEMBLY
- GUARD RAIL
- ASSEMBLY HARDWARE

INSTALLATION NOTE:

- END COVERS FOR 9' & 11'-6" HEIGHTS ARE SUPPLIED IN KITS WITH (1) 7' LOWER SECTION & (1) 2' OR 4'-6" UPPER EXTENSION



MAY BE USED FOR
AL-LU ADSL BAY

H	D	PART#
84	0	R4EC084-x
108	0	R4EC108-x
138	0	R4EC138-x
84	12	R4EC08412-x
108	12	R4EC10812-x
138	12	R4EC13812-x
84	15	R4EC08415-x
108	15	R4EC10815-x
138	15	R4EC13815-x

(04/26/23)



Moreng Telecom Products
973-237-2001
www.morengtel.com

UNEQUAL FLANGE

5" BAY END COVER & SPACER

w/ SWITCH CUT OUT

MATERIAL: CARBON STEEL

FINISH OPTIONS:

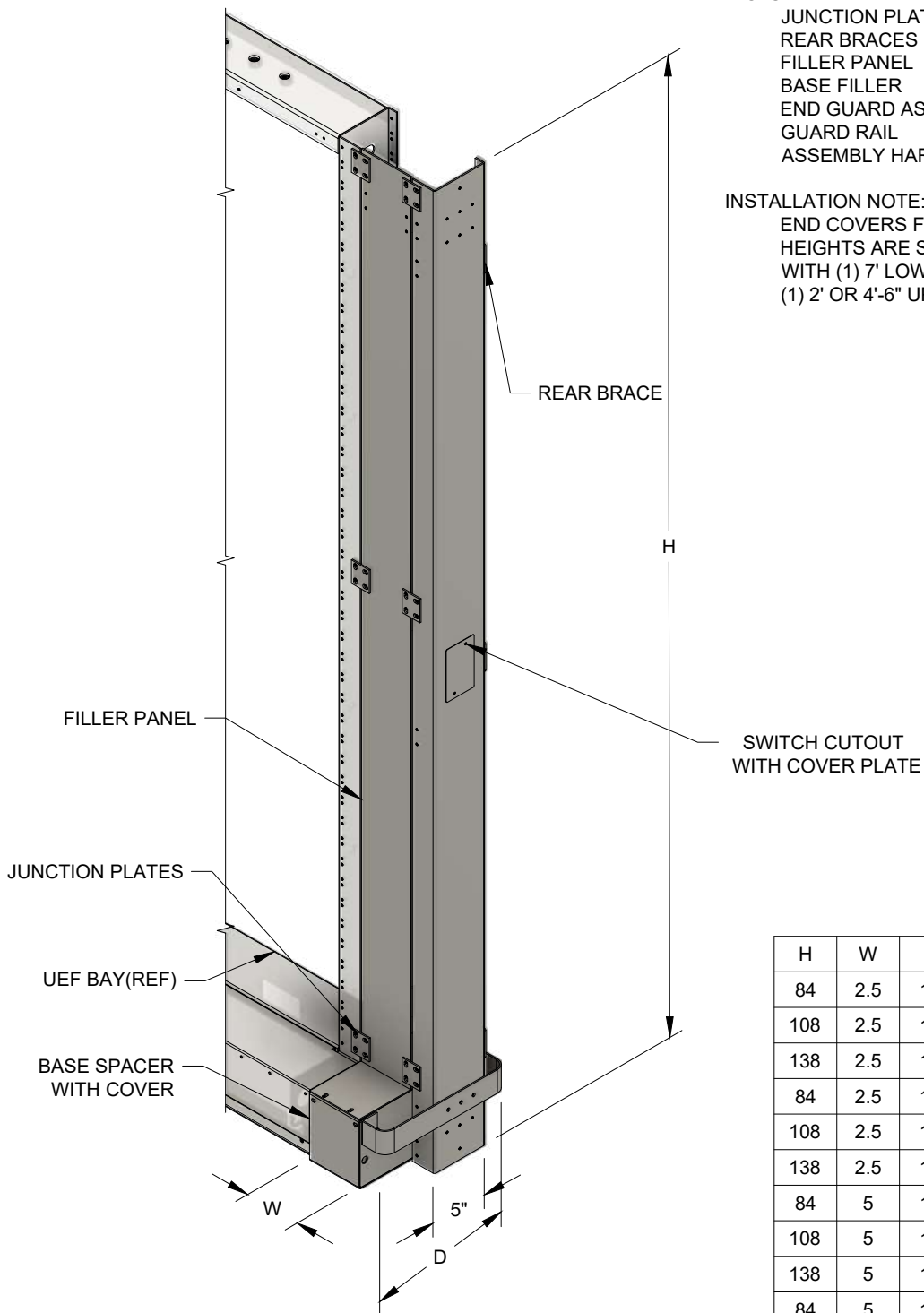
- x = 1: MTP GRAY
- x = 3: NETWORK BLUE
- x = 4: OFF WHITE (STANDARD)
- OTHER FINISHES AVAILABLE

INCLUDES:

- JUNCTION PLATES
- REAR BRACES
- FILLER PANEL
- BASE FILLER
- END GUARD ASSEMBLY
- GUARD RAIL
- ASSEMBLY HARDWARE

INSTALLATION NOTE:

END COVERS FOR 9' & 11'-6"
HEIGHTS ARE SUPPLIED IN KITS
WITH (1) 7' LOWER SECTION &
(1) 2' OR 4'-6" UPPER EXTENSION



MAY BE USED FOR
AL-LU ADSL BAY

H	W	D	PART#
84	2.5	12	R4ES084212-x
108	2.5	12	R4ES108212-x
138	2.5	12	R4ES138212-x
84	2.5	15	R4ES084215-x
108	2.5	15	R4ES108215-x
138	2.5	15	R4ES138215-x
84	5	12	R4ES084512-x
108	5	12	R4ES108512-x
138	5	12	R4ES138512-x
84	5	15	R4ES084515-x
108	5	15	R4ES108515-x
138	5	15	R4ES138515-x

(04/26/23)



Moreng Telecom Products
973-237-2001
www.morengtel.com

UNEQUAL FLANGE BAY END GUARDS (NO SPACER)

MATERIAL: CARBON STEEL

FINISH OPTIONS:

x = 1: MTP GRAY

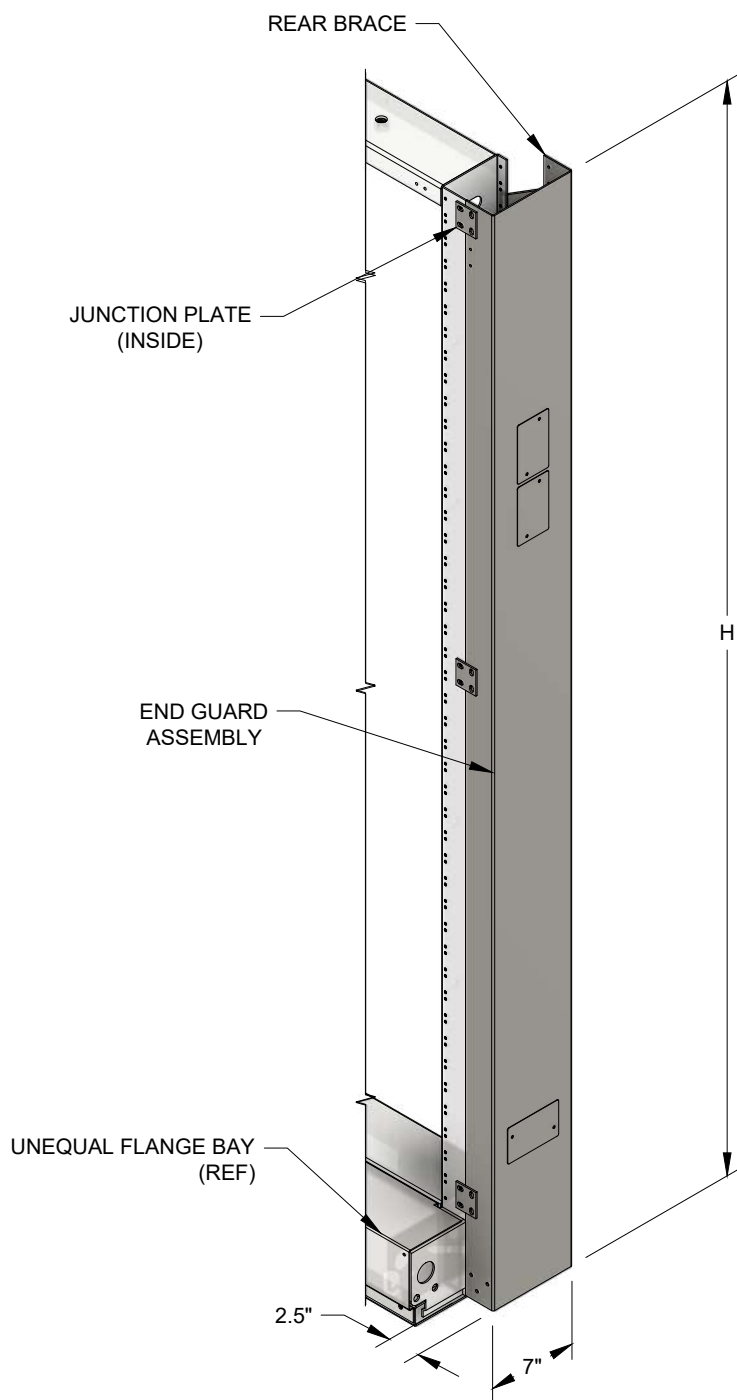
x = 3: NETWORK BLUE

x = 4: OFF WHITE

OTHER FINISHES AVAILABLE

ALL ASSEMBLY HARDWARE INCLUDED

FOR END GUARDS WITH SPACERS:
SEE R3ES SERIES (PAGE 6-24)



"H"	PART #
84	R2E084-x
108	R2E108-x
138	R2E138-x

(04/26/23)



Moreng Telecom Products
973-237-2001
www.morengtel.com

UNEQUAL FLANGE BAY END COVERS

MATERIAL: CARBON STEEL

FINISH OPTIONS:

x = 1: MTP GRAY

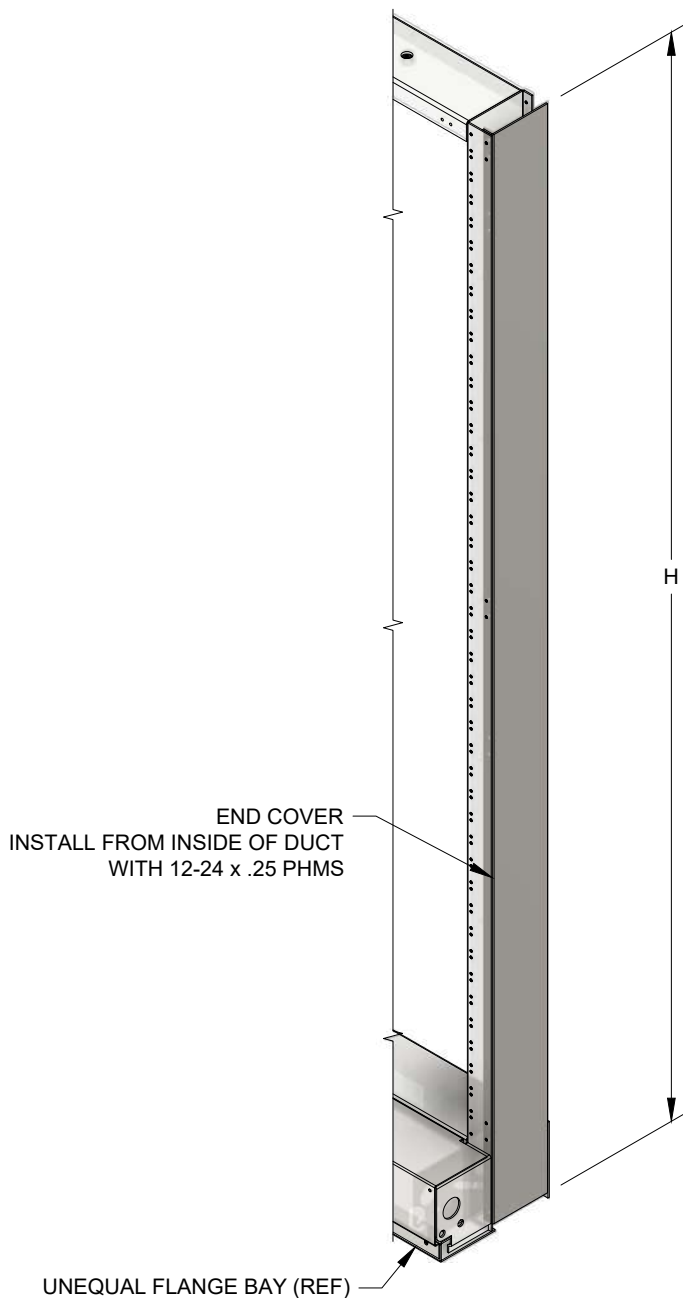
x = 3: NETWORK BLUE

x = 4: OFF WHITE

OTHER FINISHES AVAILABLE

ALL ASSEMBLY HARDWARE INCLUDED

FOR SEISMIC BAYS USE R7EC
SHIELDS (SEE PAGE 5-35)



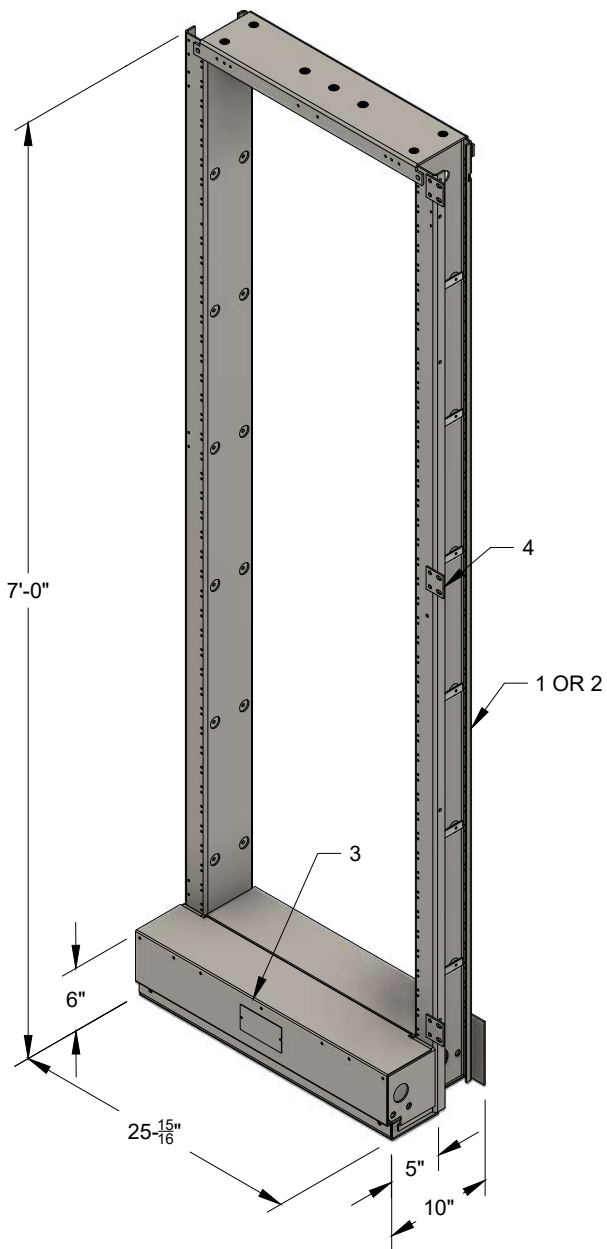
"H"	PART #
84	R2EC084-x
108	R2EC108-x
138	R2EC138-x

(04/26/23)



Moreng Telecom Products
973-237-2001
www.morengtel.com

R3R SERIES BAYS - UEF - SEISMIC
 (10 x 26 FOOTPRINT)
 CLOSED DUCT
 7' HIGH



FOR HEIGHTS OVER 7' ORDER BAY
 EXTENDER: SEE 6-19

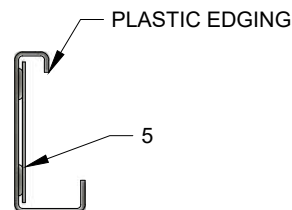
STOCK LIST			
ITEM#	Description	R3R084231A-x	R3R084232A-x
1	R3 BAY, 7" x 23 - REAR CABLED-1.75	1	
2	R3 BAY, 7" x 23 - REAR CABLED-2.00		1
3	R3/R4 COVER, FRONT 5" X 23	1	1
4	R3 JUNCTION KIT	1	1
5	STEEL BAR TIES	12	12
6	ANCHOR WASHERS	4	4

MATERIAL: CARBON STEEL

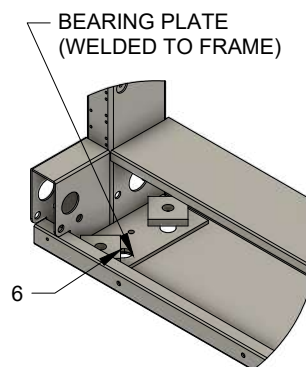
FINISH OPTIONS:

- x = 1: MTP GRAY
- x = 3: NETWORK BLUE
- x = 4: OFF WHITE
- OTHER FINISHES AVAILABLE

ALL ASSEMBLY HARDWARE INCLUDED



UPRIGHT SECTION



FLOOR MOUNTING
 (PER GR-63-CORE-FIG 2-1)
 (FLOOR ANCHORS - NOT INCLUDED)

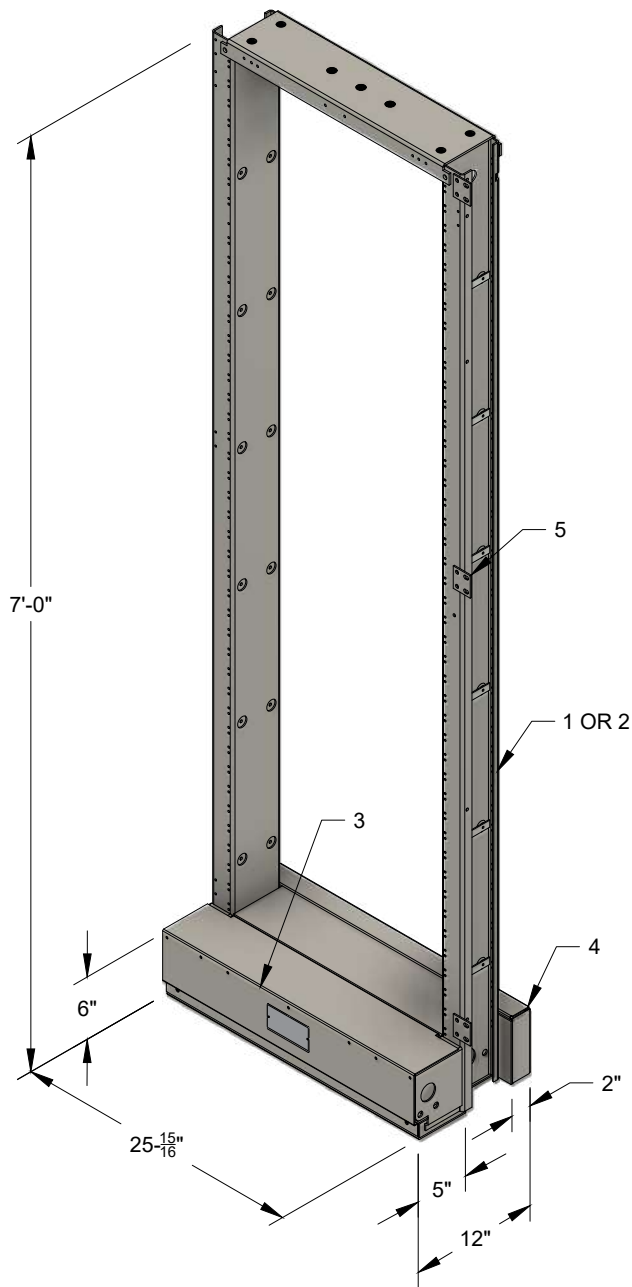
MTG PATTERN	PART #
1.75 x 23(44)	R3R084231A-x
2.00 x 23(38)	R3R084232A-x

(04/26/23)



Moreng Telecom Products
 973-237-2001
 www.morengtel.com

R3R SERIES BAYS - UEF - SEISMIC
 (12 x 26 FOOTPRINT)
 CLOSED DUCT
 7' HIGH



FOR HEIGHTS OVER 7' ORDER BAY
 EXTENDER: SEE 6-19

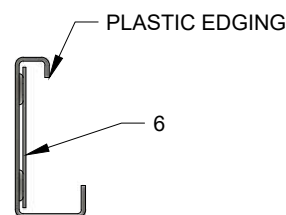
STOCK LIST			
ITEM#	Description	R3R084231R-x	R3R084232R-x
1	R3 BAY, 7" x 23 - REAR CABLED-1.75	1	
2	R3 BAY, 7" x 23 - REAR CABLED-2.00		1
3	R3/R4 COVER, FRONT 5" X 23	1	1
4	GUARD RAIL 2"	1	1
5	R3 JUNCTION KIT	1	1
6	STEEL BAR TIES	12	12
7	ANCHOR WASHERS	4	4

MATERIAL: CARBON STEEL

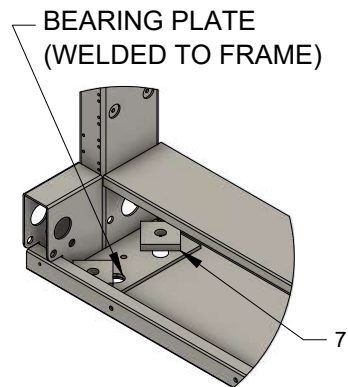
FINISH OPTIONS:

- x = 1: MTP GRAY
- x = 3: NETWORK BLUE
- x = 4: OFF WHITE
- OTHER FINISHES AVAILABLE

ALL ASSEMBLY HARDWARE INCLUDED



UPRIGHT SECTION



FLOOR MOUNTING

(PER GR-63-CORE-FIG 2-1)
 (FLOOR ANCHORS - NOT INCLUDED)

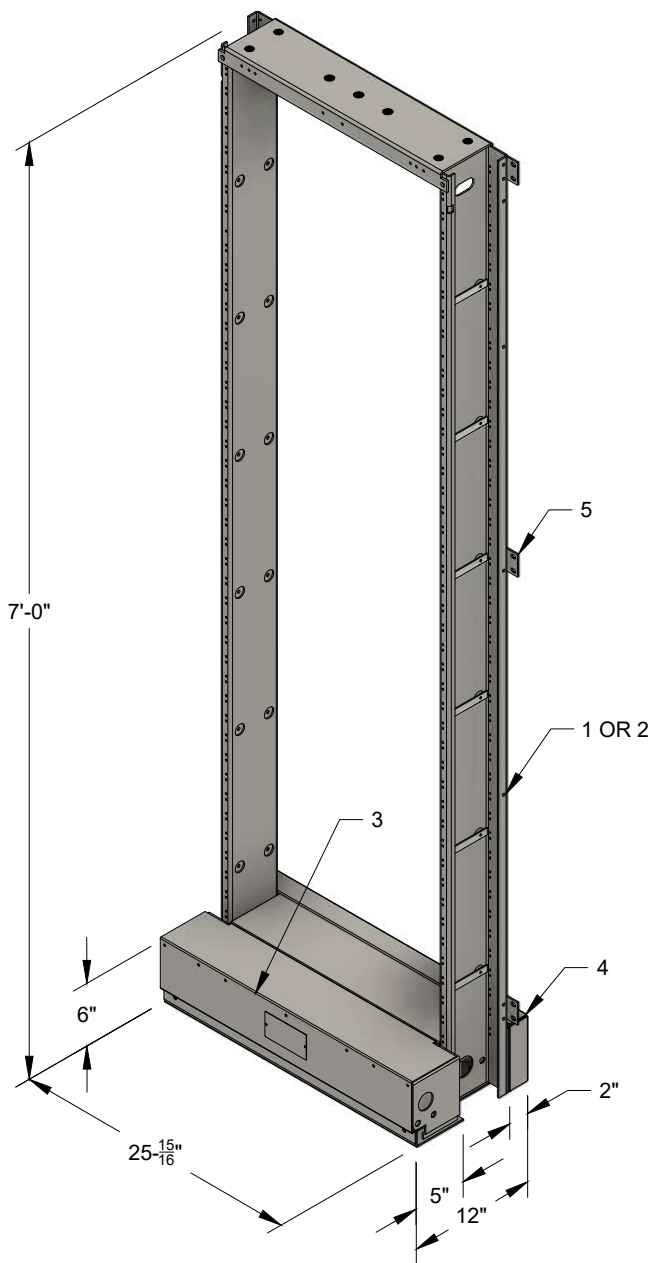
MTG PATTERN	PART #
1.75 x 23(44)	R3R084231R-x
2.00 x 23(38)	R3R084232R-x

(04/26/23)



Moreng Telecom Products
 973-237-2001
 www.morengtel.com

R3R SERIES BAYS - UEF - SEISMIC
 (12 x 26 FOOTPRINT)
 OPEN DUCT
 7' HIGH



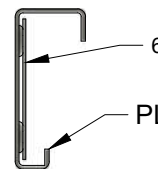
STOCK LIST			
ITEM#	Description	R3R084231D-x	R3R084232D-x
1	R3 BAY, 7" x 23 - FRONT CABLED-1.75	1	
2	R3 BAY, 7" x 23 - FRONT CABLED-2.00		1
3	R3/R4 COVER, FRONT 5" X 23	1	1
4	GUARD RAIL 2"	1	1
5	R3 JUNCTION KIT	1	1
6	STEEL BAR TIES	12	12
7	ANCHOR WASHERS	4	4

MATERIAL: CARBON STEEL

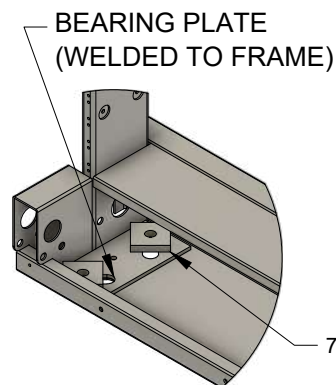
FINISH OPTIONS:

- x = 1: MTP GRAY
- x = 3: NETWORK BLUE
- x = 4: OFF WHITE
- OTHER FINISHES AVAILABLE

ALL ASSEMBLY HARDWARE INCLUDED



UPRIGHT SECTION



FLOOR MOUNTING
 (PER GR-63-CORE-FIG 2-1)
 (FLOOR ANCHORS - NOT INCLUDED)

FOR HEIGHTS OVER 7' ORDER BAY
 EXTENDER: SEE 6-19

MTG PATTERN	PART #
1.75 x 23(44)	R3R084231D-x
2.00 x 23(38)	R3R084232D-x

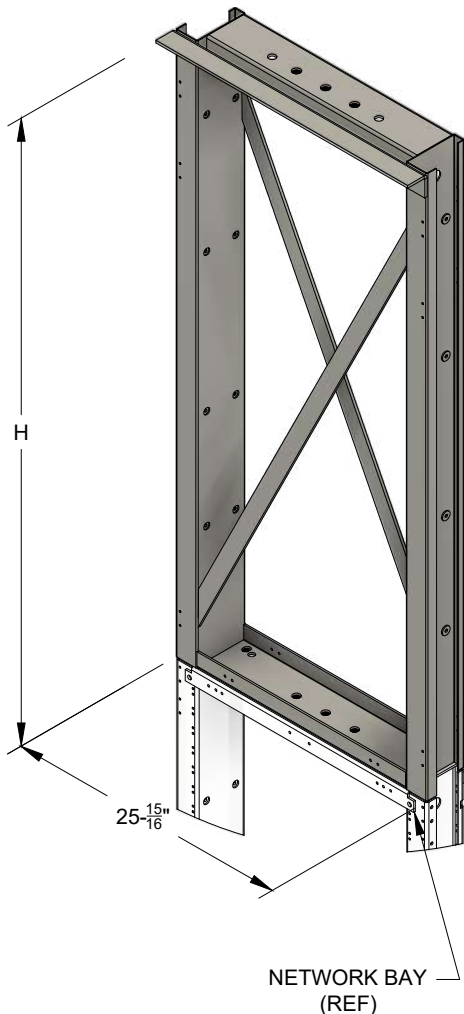
(04/26/23)



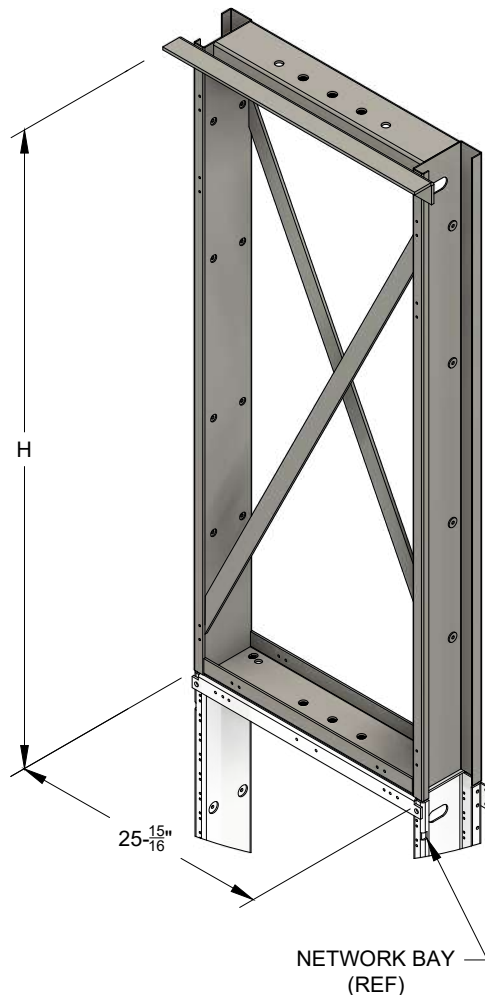
Moreng Telecom Products
 973-237-2001
 www.morengtel.com

SEISMIC NETWORK BAY EXTENDERS

REAR CABLED



FRONT CABLED



MATERIAL: CARBON STEEL

FEATURES:

- NEBS CERTIFIED
- BRACES & ABSENCE OF MOUNTING HOLES PREVENT EQUIPMENT INSTALLATION
- BOTTOM HOLES MATCH OTHER NEBS SEISMIC BAY MANUFACTURERS

FINISH OPTIONS:

- x = 1: MTP GRAY
- x = 3: NETWORK BLUE
- x = 4: OFF WHITE
- OTHER FINISHES AVAILABLE

JUNCTION PLATES(2)
ALL ASSEMBLY HARDWARE INCLUDED

H	REAR CABLED MTP PN #	FRONT CABLED MTP PN #
12	R7R012230-x	R7R012230A-x
24	R7R024230-x	R7R024230A-x
54	R7R054230-x	R7R054230A-x
56	R7R056230-x	R7R056230A-x

(04/26/23)



Moreng Telecom Products
973-237-2001
www.morengtel.com

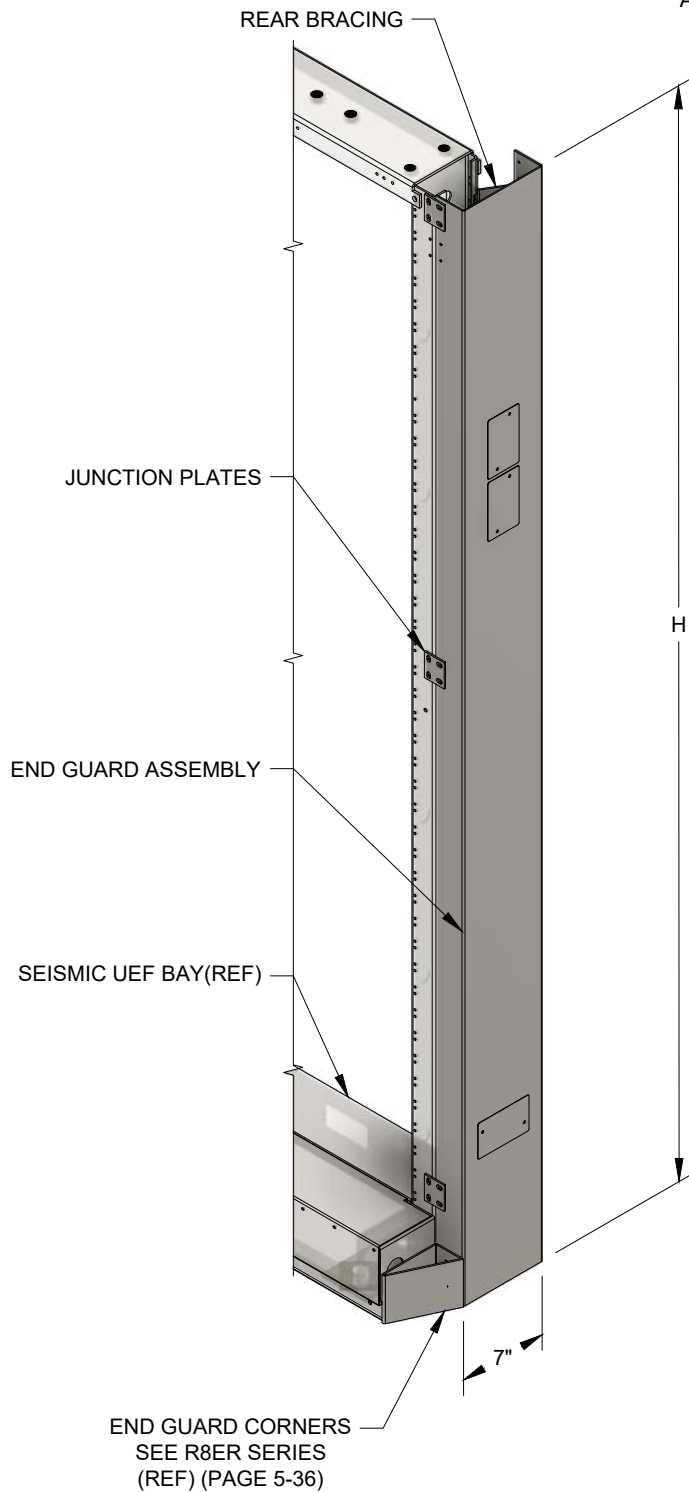
SEISMIC UEF BAYS (6" HIGH BASE) END GUARD

MATERIAL: CARBON STEEL

FINISH OPTIONS:

- x = 1: MTP GRAY
- x = 3: NETWORK BLUE
- x = 4: OFF WHITE
- OTHER FINISHES AVAILABLE

ALL ASSEMBLY HARDWARE INCLUDED



REAR GUARD RAIL SEE 6-27

H	PART#
84	R3E084-x
108	R3E108-x
138	R3E138-x

(04/26/23)



Moreng Telecom Products
973-237-2001
www.morengtel.com

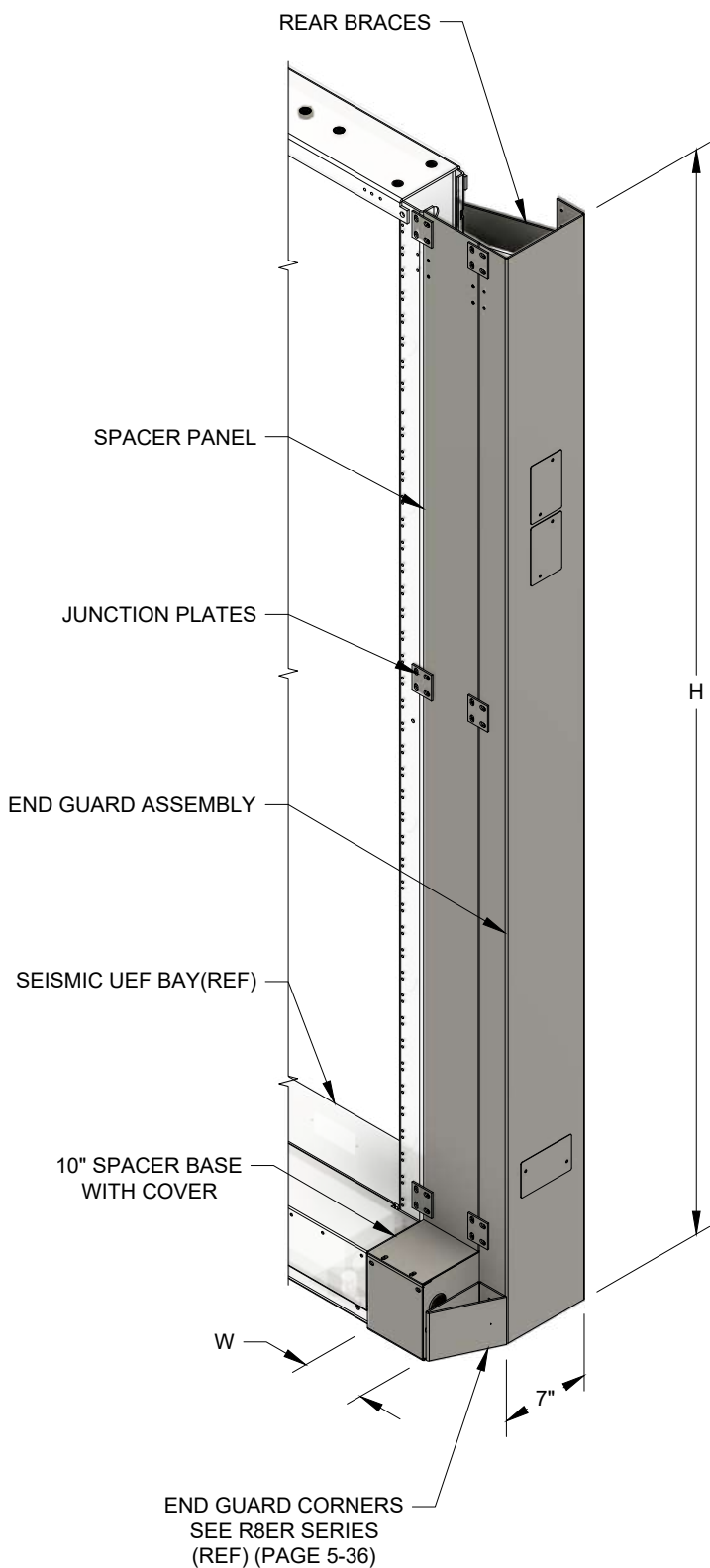
SEISMIC UEF BAYS (6" HIGH BASE) END GUARD WITH SPACER KITS

MATERIAL: CARBON STEEL

FINISH OPTIONS:

- x = 1: MTP GRAY
- x = 3: NETWORK BLUE
- x = 4: OFF WHITE
- OTHER FINISHES AVAILABLE

ALL ASSEMBLY HARDWARE INCLUDED



REAR GUARD RAIL SEE 6-27

H	W	PART#
84	2.5	R3ES0842A-x
84	5.0	R3ES0845A-x
84	10	R3ES08410A-x
108	2.5	R3ES1082A-x
108	5.0	R3ES1085A-x
108	10	R3ES10810A-x
138	2.5	R3ES1382A-x
138	5.0	R3ES1385A-x
138	10	R3ES13810A-x

(04/26/23)



Moreng Telecom Products
973-237-2001
www.morengtel.com

UEF BAYS GUARD BOX EXTENSIONS (FOR 23" - R4 STYLE BAYS)

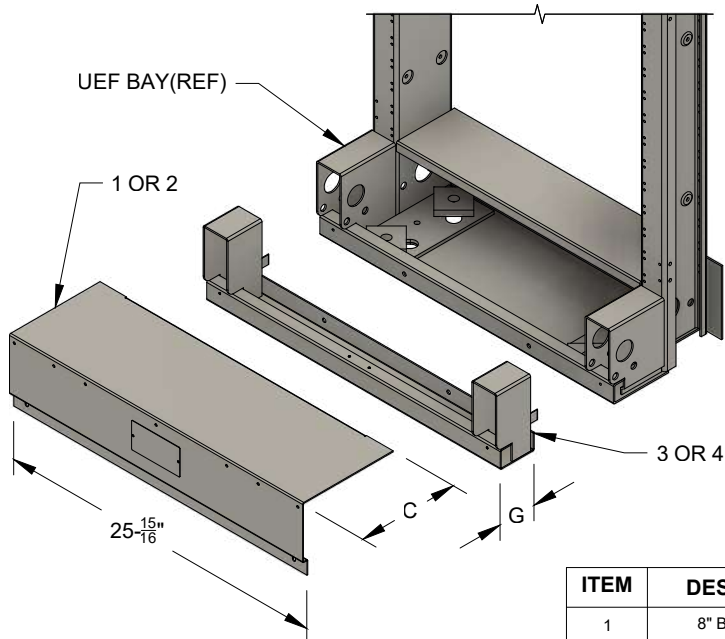
MATERIAL: CARBON STEEL

FINISH OPTIONS:

- x = 1: MTP GRAY
- x = 3: NETWORK BLUE
- x = 4: OFF WHITE
- OTHER FINISHES AVAILABLE

ALL ASSEMBLY HARDWARE INCLUDED

OTHER DEPTHS AVAILABLE



C	8"	10"
G	3"	5"

ITEM	DESCRIPTION	R4CE2308-xK	R4CE2310-xK
1	8" BASE COVER	1	
2	10" BASE COVER		1
3	3" BASE EXTENSION	1	
4	5" BASE EXTENSION		1

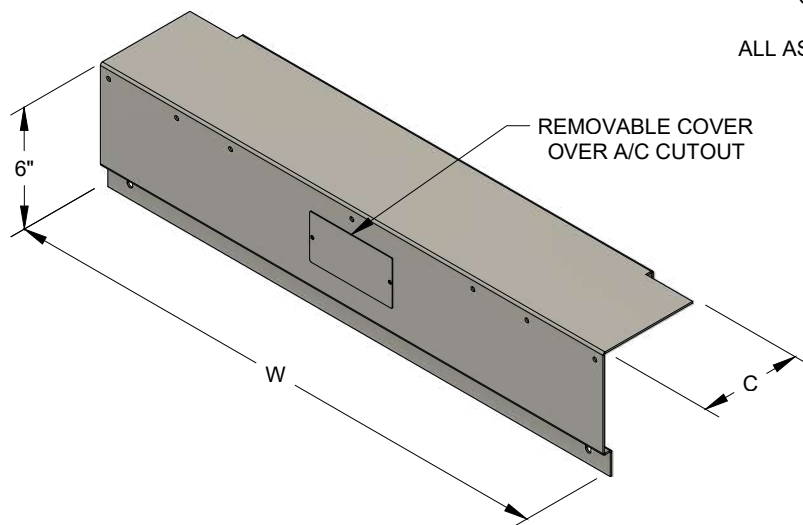
R3R AND R4R BAYS (22" & 26") GUARD RAIL COVERS

MATERIAL: CARBON STEEL

FINISH OPTIONS:

- x = 1: MTP GRAY
- x = 3: NETWORK BLUE
- x = 4: OFF WHITE
- OTHER FINISHES AVAILABLE

ALL ASSEMBLY HARDWARE INCLUDED



W	C	PART #
21- $\frac{15}{16}$ "	5"	R3C195-x
21- $\frac{15}{16}$ "	6"	R3C196-x
25- $\frac{15}{16}$ "	5"	R3C235-x
25- $\frac{15}{16}$ "	6"	R3C236-x

(04/26/23)



Moreng Telecom Products
973-237-2001
www.morengtel.com

R4R BAYS FIXED GUARD RAILS

MATERIAL: CARBON STEEL

FINISH OPTIONS:

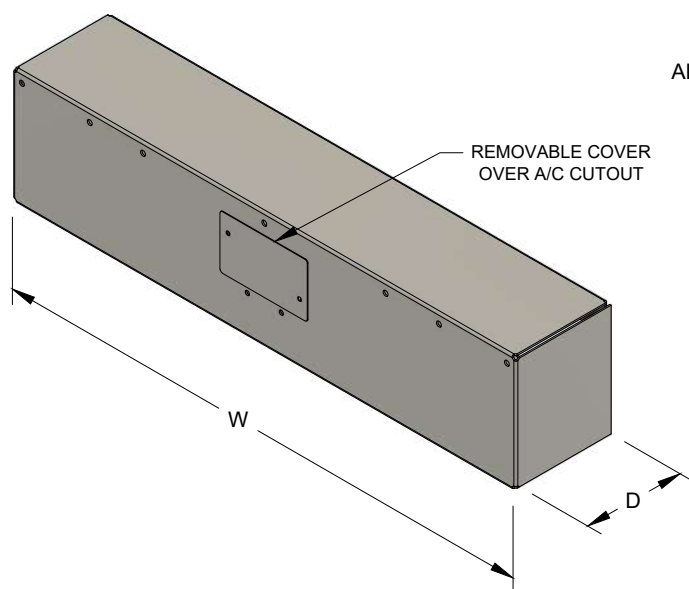
x = 1: MTP GRAY

x = 3: NETWORK BLUE

x = 4: OFF WHITE

OTHER FINISHES AVAILABLE

ALL ASSEMBLY HARDWARE INCLUDED



W	D	PART #
21- $\frac{15}{16}$ "	1"	R4G191-x
21- $\frac{15}{16}$ "	2"	R4G192-x
21- $\frac{15}{16}$ "	5"	R4G195-x
25- $\frac{15}{16}$ "	1"	R4G231-x
25- $\frac{15}{16}$ "	2"	R4G232-x
25- $\frac{15}{16}$ "	5"	R4G235-x
25- $\frac{15}{16}$ "	8"	R4G238-x

R4R BAY SPACERS FIXED GUARD RAIL FILLERS

MATERIAL: CARBON STEEL

FINISH OPTIONS:

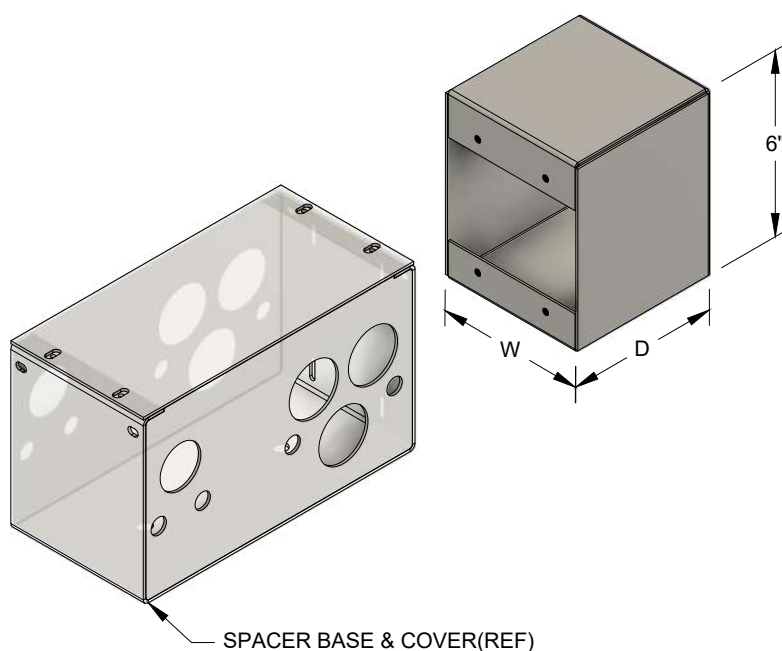
x = 1: MTP GRAY

x = 3: NETWORK BLUE

x = 4: OFF WHITE

OTHER FINISHES AVAILABLE

ALL ASSEMBLY HARDWARE INCLUDED



W	D	PART#
2.38"	1"	R2G021-x
2.38"	2"	R2G022-x
2.38"	5"	R2G025-x
4.88"	1"	R2G051-x
4.88"	2"	R2G052-x
4.88"	5"	R2G055-x
9.88"	1"	R2G101-x
9.88"	2"	R2G102-x
9.88"	5"	R2G105-x

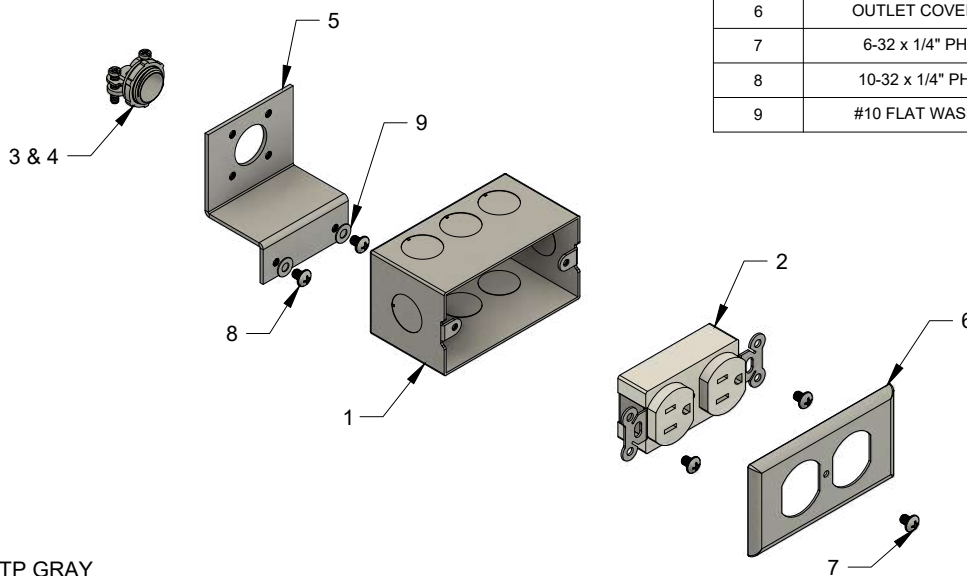
(04/26/23)



Moreng Telecom Products
973-237-2001
www.morengtel.com

REAR OUTLET KIT (UNEQUAL FLANGE)

ITEM	DESCRIPTION	R2G-AC
1	HANDY BOX 1-1/2" DEEP	1
2	BRYANT DUPLEX RECEPTACLE	1
3	1/2" BOX CONNECTOR	1
4	1/2" ROMEX CONNECTOR	1
5	GRD RAIL A/C BRACKET	1
6	OUTLET COVER, GRAY	1
7	6-32 x 1/4" PHMS, ZY	1
8	10-32 x 1/4" PHMS, ZC	4
9	#10 FLAT WASHER, ZC	2

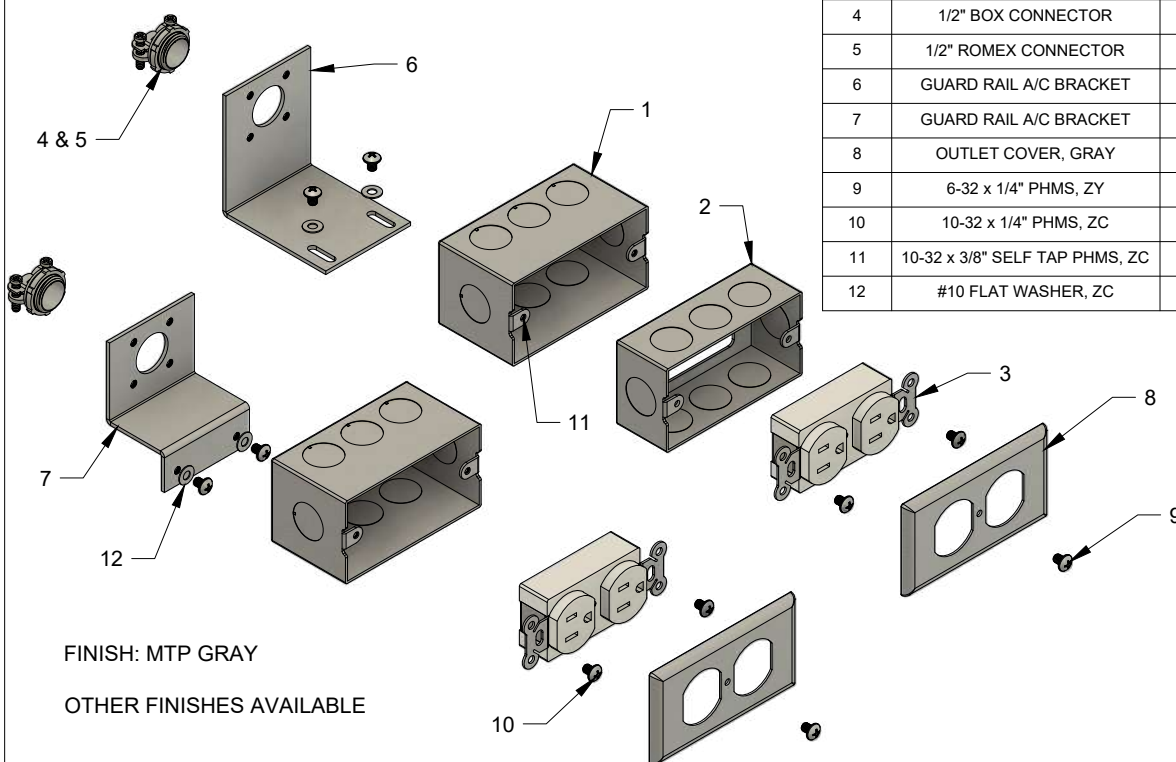


FINISH: MTP GRAY

OTHER FINISHES AVAILABLE

FRONT OUTLET KIT (UNEQUAL FLANGE)

ITEM	DESCRIPTION	R2C-AC	R2R-AC
1	HANDY BOX 1-1/2" DEEP	1	2
2	HANDY BOX EXTENSION	1	1
3	BRYANT DUPLEX RECEPTACLE	1	2
4	1/2" BOX CONNECTOR	1	2
5	1/2" ROMEX CONNECTOR	1	2
6	GUARD RAIL A/C BRACKET	1	1
7	GUARD RAIL A/C BRACKET		1
8	OUTLET COVER, GRAY	1	1
9	6-32 x 1/4" PHMS, ZY	1	2
10	10-32 x 1/4" PHMS, ZC	4	8
11	10-32 x 3/8" SELF TAP PHMS, ZC	2	2
12	#10 FLAT WASHER, ZC	2	4



FINISH: MTP GRAY

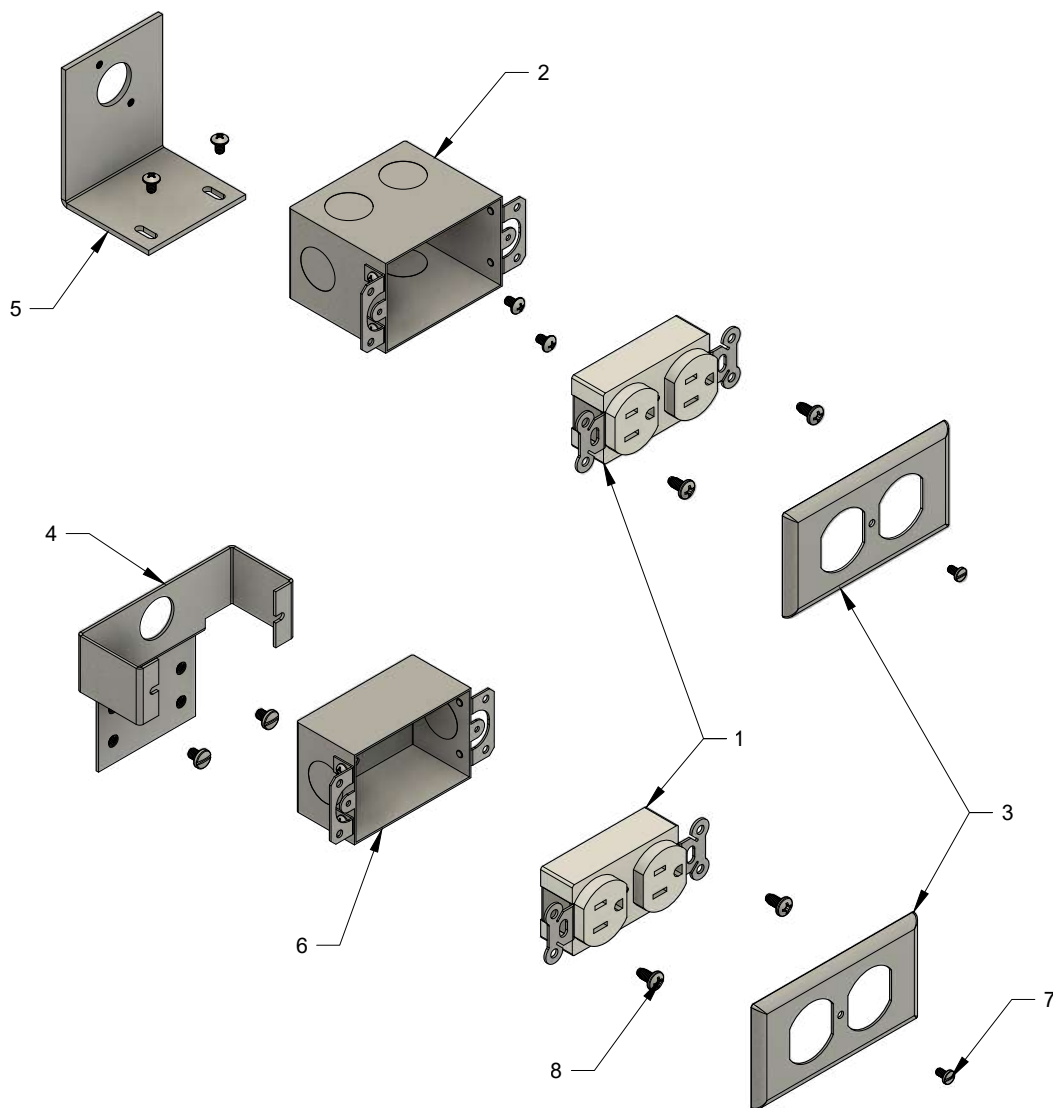
OTHER FINISHES AVAILABLE

(04/26/23)



Moreng Telecom Products
973-237-2001
www.morengtel.com

FRONT AND REAR OUTLET KIT (UNEQUAL FLANGE)



ITEM	DESCRIPTION	R4AG-ALC
1	BRYANT DUPLEX RECEPTACLE	2
2	2-1/2" DEEPSWITCH BOX	1
3	STAINLESS STEEL COVER	2
4	REAR A/C BRACKET	1
5	FRONT A/C BRACKET	1
6	1-1/2 DEEP SWITCH BOX	1
7	10-32 x 1/4" FHMS, ZC	2
8	10-32 x 3/8" PHSTMS, ZC	4

(04/26/23)



Moreng Telecom Products
973-237-2001
www.morengtel.com

R3R SERIES BAYS - UEF - SEISMIC
 (10" x 26" FOOTPRINT)
 CLOSED DUCT
 7' HIGH

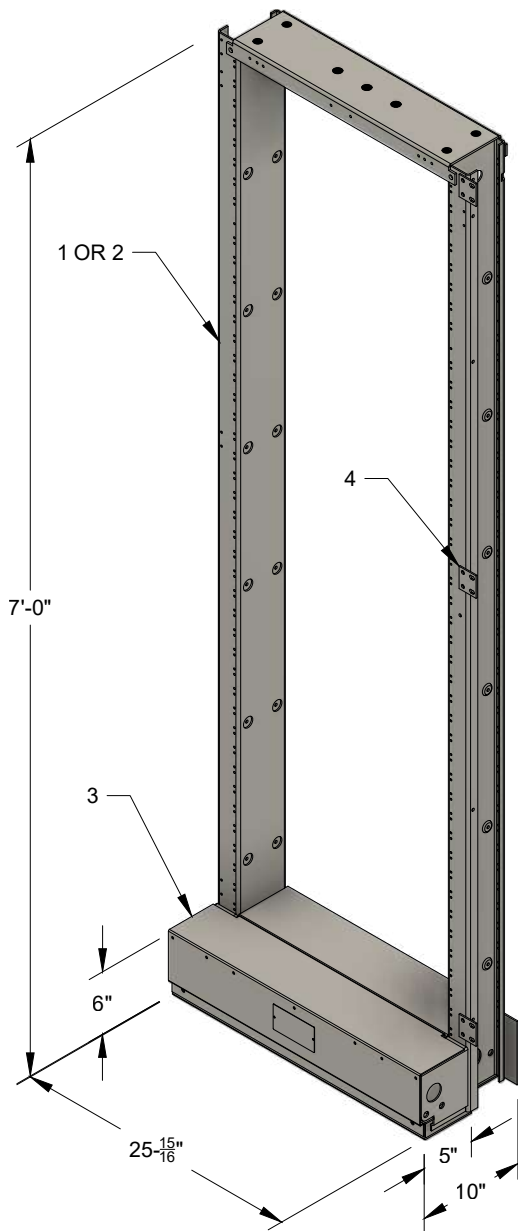
STOCK LIST			
ITEM#	Description	AT3R084231A-x	AT3R084232A-x
1	R3 BAY, 7" x 23 - REAR CABLED-1.75	1	
2	R3 BAY, 7" x 23 - REAR CABLED-2.00		1
3	R3/R4 COVER, FRONT 5" X 23	1	1
4	R3 JUNCTION KIT	1	1

MATERIAL: CARBON STEEL

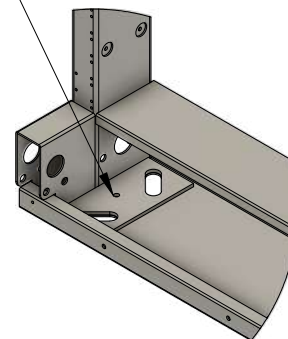
FINISH OPTIONS:

- x = 1: MTP GRAY
- x = 3: NETWORK BLUE
- x = 4: OFF WHITE
- OTHER FINISHES AVAILABLE

ALL ASSEMBLY HARDWARE INCLUDED



BEARING PLATE
 (WELDED TO FRAME)



FLOOR MOUNTING
 (PER GR-63-CORE-FIG 2-1)
 (FLOOR ANCHORS - NOT INCLUDED)

FOR HEIGHTS OVER 7', ORDER BAY
 EXTENDER: SEE 6-19

MTG PATTERN	PART #
1.75 x 23(44)	AT3R084231A-x
2.00 x 23(38)	AT3R084232A-x

(04/26/23)



Moreng Telecom Products
 973-237-2001
 www.morengtel.com

UNEQUAL FLANGE BAY SPACERS (5" FRONT GUARD RAIL - VARIOUS DEPTHS)

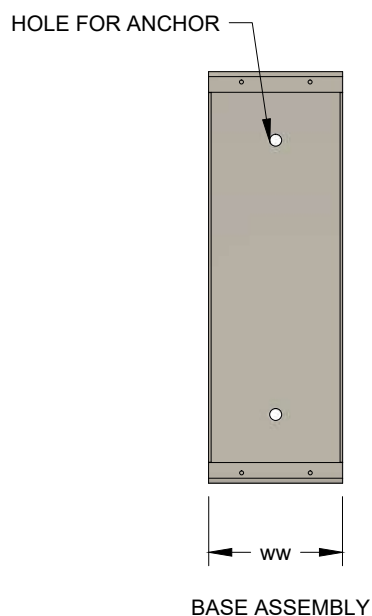
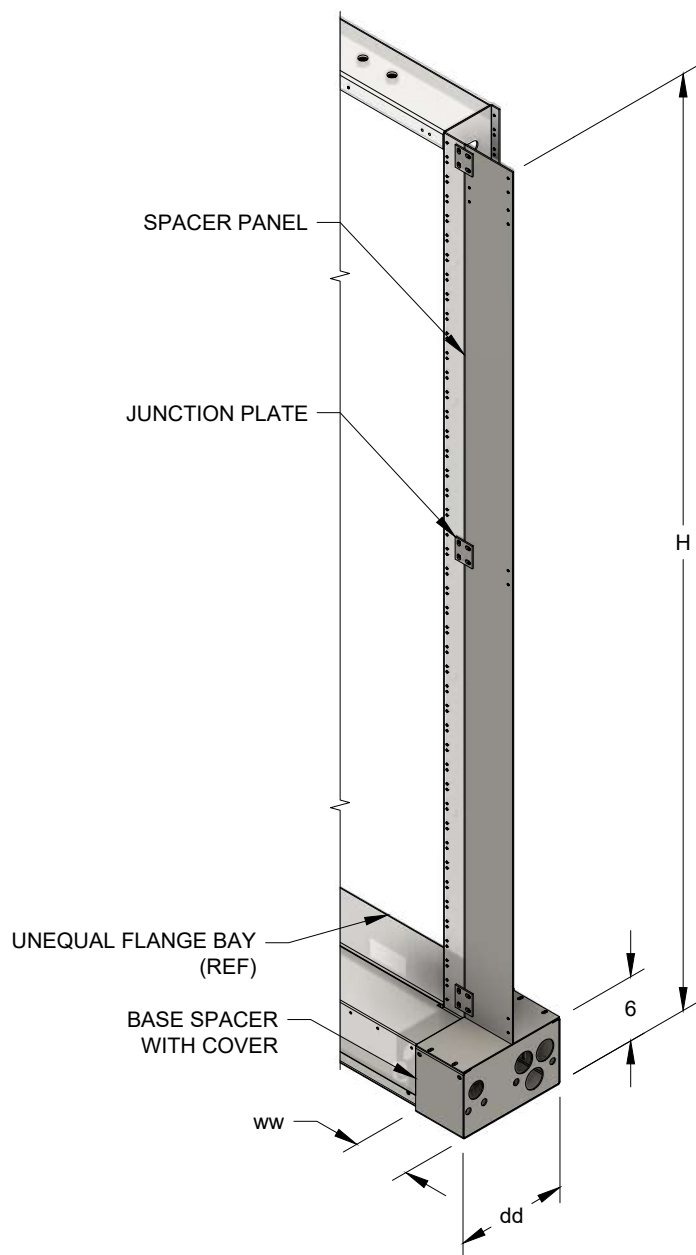
MATERIAL: CARBON STEEL

FINISH OPTIONS:

- x = 1: MTP GRAY
- x = 3: NETWORK BLUE
- x = 4: OFF WHITE
- OTHER FINISHES AVAILABLE

ALL ASSEMBLY HARDWARE INCLUDED

7' HEIGHT SHOWN
9' AND 11'-6" HAVE SEPARATE TOP PANEL



H	ww = 2.5"					
	dd	10"	12"	15"	16"	17"
84"		A5SP0840210-x	A5SP0840212-x	A5SP0840215-x	A5SP0840216-x	A5SP0840217-x
108"		A5SP1080210-x	A5SP1080212-x	A5SP1080215-x	A5SP1080216-x	A5SP1080217-x
138"		A5SP1380210-x	A5SP1380212-x	A5SP1380215-x	A5SP1380216-x	A5SP1380217-x
H	ww = 5"					
	dd	10"	12"	15"	16"	17"
84"		A5SP0840510-x	A5SP0840512-x	A5SP0840515-x	A5SP0840516-x	A5SP0840517-x
108"		A5SP1080510-x	A5SP1080512-x	A5SP1080515-x	A5SP1080516-x	A5SP1080517-x
138"		A5SP1380510-x	A5SP1380512-x	A5SP1380515-x	A5SP1380516-x	A5SP1380517-x

(04/26/23)



Moreng Telecom Products
973-237-2001
www.morengtel.com

UEF BAY SPACERS (PANEL KITS - NO BASES)

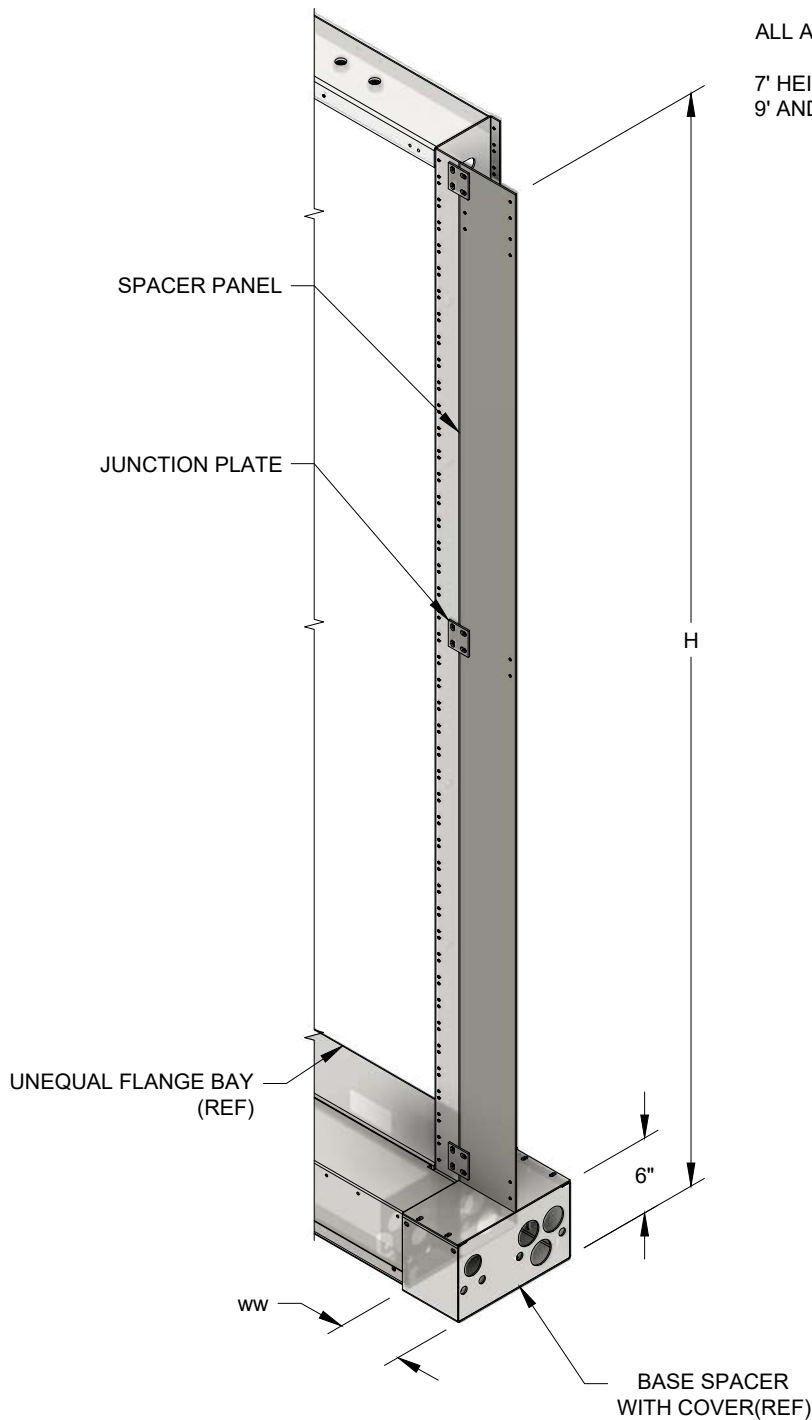
MATERIAL: CARBON STEEL

FINISH OPTIONS:

- x = 1: MTP GRAY
- x = 3: NETWORK BLUE
- x = 4: OFF WHITE
- OTHER FINISHES AVAILABLE

ALL ASSEMBLY HARDWARE INCLUDED

7' HEIGHT SHOWN
9' AND 11'-6" HAVE SEPARATE TOP PANEL



H	ww	PART #
84"	2.5"	A0SP08402-x
108"	2.5"	A0SP10802-x
138"	2.5"	A0SP13802-x
84"	5"	A0SP08405-x
108"	5"	A0SP10805-x
138"	5"	A0SP13805-x

(04/26/23)



Moreng Telecom Products
973-237-2001
www.morengtel.com

SEISMIC UEF BAYS (6" HIGH BASE) VELCRO SPACER KITS

MATERIAL: CARBON STEEL

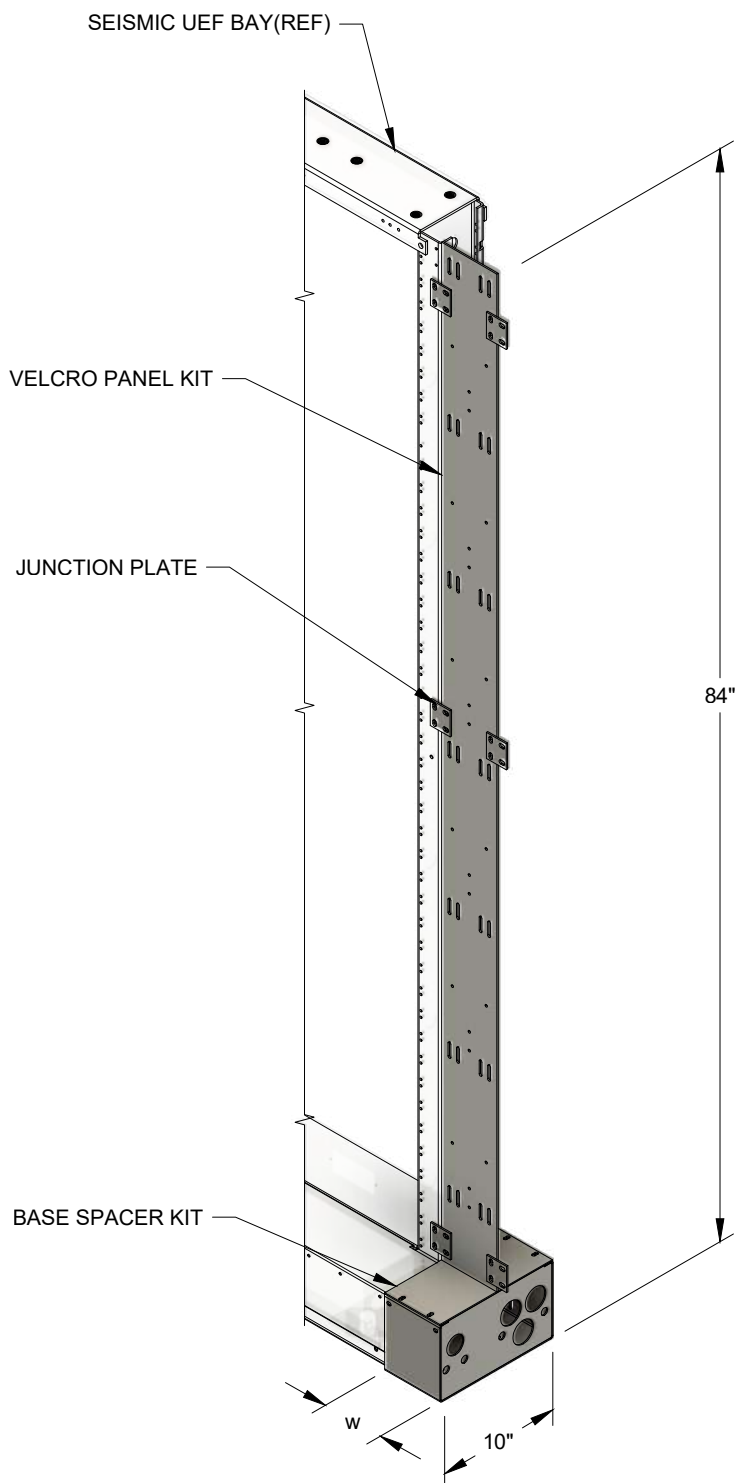
FINISH OPTIONS:

- x = 1: MTP GRAY
- x = 3: NETWORK BLUE
- x = 4: OFF WHITE
- OTHER FINISHES AVAILABLE

ALL ASSEMBLY HARDWARE INCLUDED

BASE DEPTH OPTIONS:

SEE PAGE 5-03 FOR CODES



"H"	"W"	PART #
84	2.5	A53VP0840210
84	5.0	A53VP0840510
84	10.0	A53VP0841010

(03/11/23)1/24



Moreng Telecom Products
973-237-2001
www.morengtel.com

SEISMIC UEF BAYS (6" HIGH BASE) VELCRO SPACER KIT WITH OPEN BASE

MATERIAL: CARBON STEEL

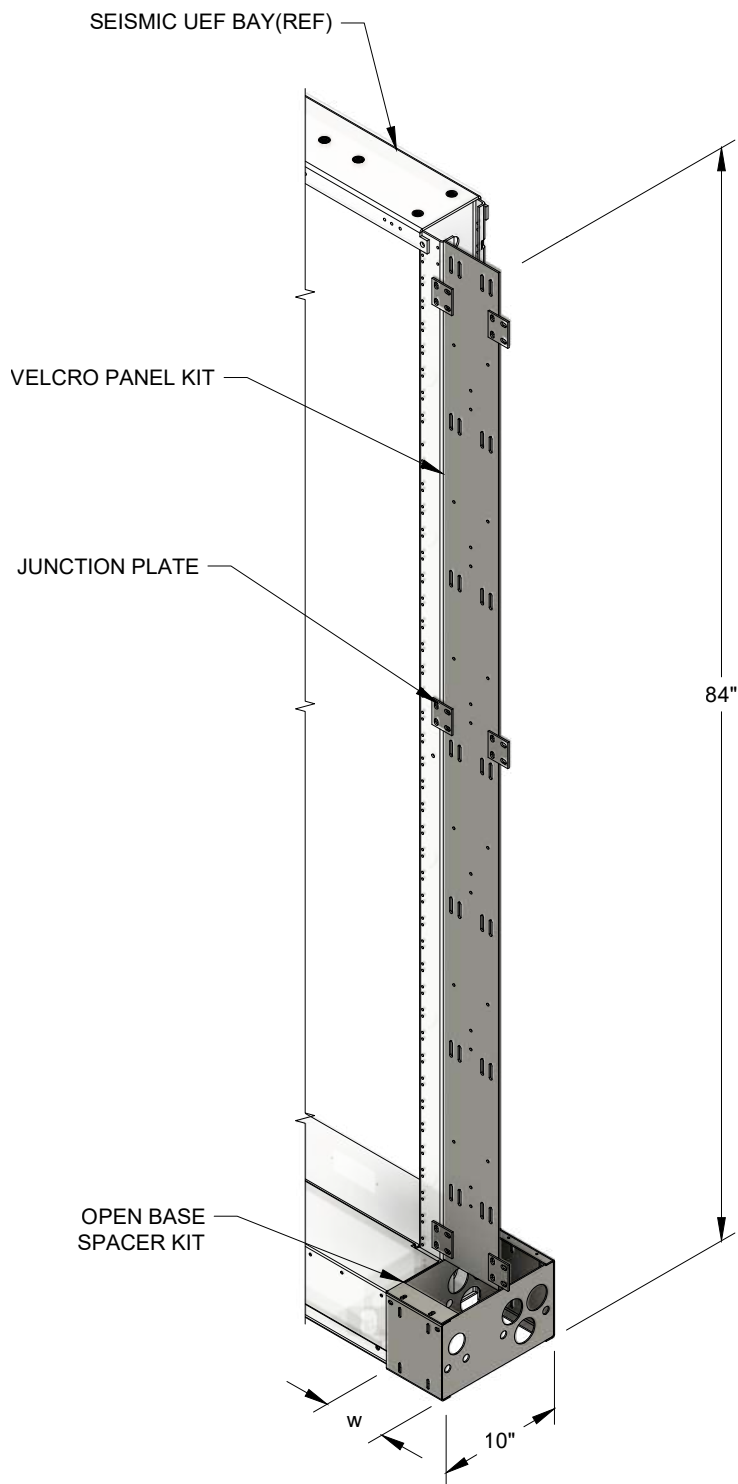
FINISH OPTIONS:

- x = 1: MTP GRAY
- x = 3: NETWORK BLUE
- x = 4: OFF WHITE
- OTHER FINISHES AVAILABLE

ALL ASSEMBLY HARDWARE INCLUDED

BASE DEPTH OPTIONS:

SEE PAGE 5-03 FOR CODES



"H"	"W"	PART #
84	2.5	A53VP0840210RF-x
84	5.0	A53VP0840510RF-x

(03/21/24)



Moreng Telecom Products
973-237-2001
www.morengtel.com

SEISMIC UEF BAYS (6" HIGH BASE) END GUARD WITH VELCRO SPACER KITS

MATERIAL: CARBON STEEL

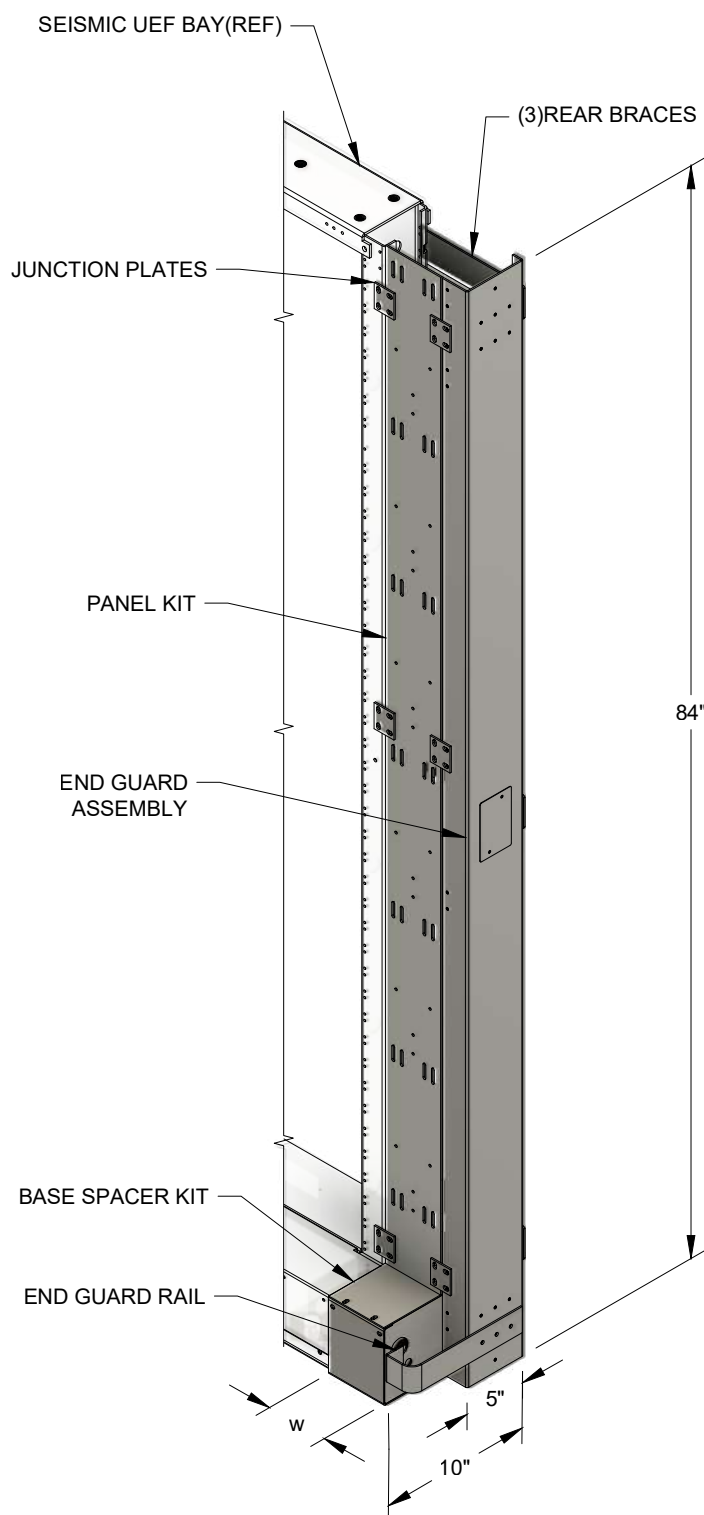
FINISH OPTIONS:

- x = 1: MTP GRAY
- x = 3: NETWORK BLUE
- x = 4: OFF WHITE
- OTHER FINISHES AVAILABLE

ALL ASSEMBLY HARDWARE INCLUDED

BASE DEPTH OPTIONS:

SEE PAGE 5-03 FOR CODES



"H"	"W"	PART #
84	2.5	A53EVP0210
84	5.0	A53EVP0510
84	10.0	A53EVP1010

(03/21/24)



Moreng Telecom Products
973-237-2001
www.morengtel.com

SEISMIC UEF BAYS (6" HIGH BASE) END GUARD WITH VELCRO SPACER KITS: OPEN BASE

MATERIAL: CARBON STEEL

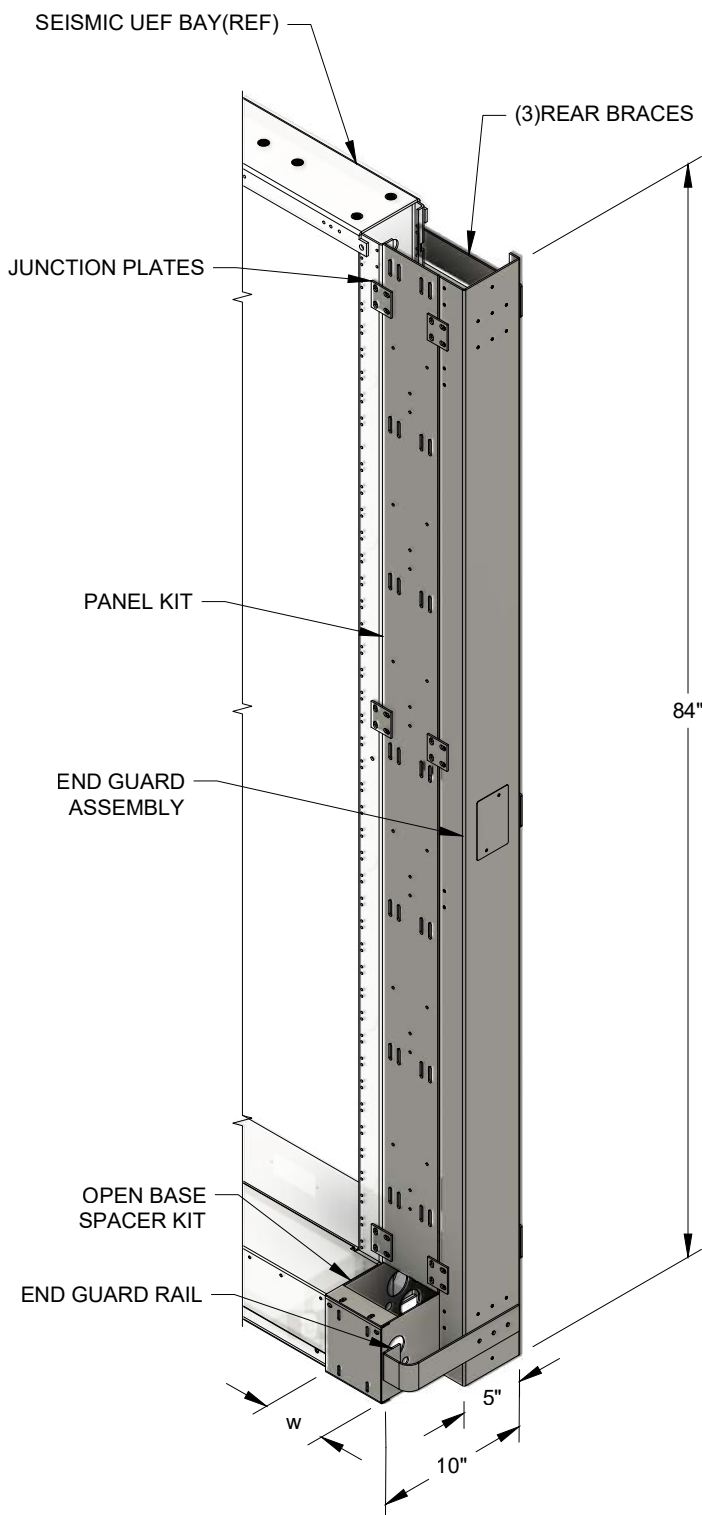
FINISH OPTIONS:

- x = 1: MTP GRAY
- x = 3: NETWORK BLUE
- x = 4: OFF WHITE
- OTHER FINISHES AVAILABLE

ALL ASSEMBLY HARDWARE INCLUDED

BASE DEPTH OPTIONS:

SEE PAGE 5-03 FOR CODES



"H"	"W"	PART #
84	2.5	A53EVP0210RF
84	5.0	A53EVP0510RF

(10/31/24)



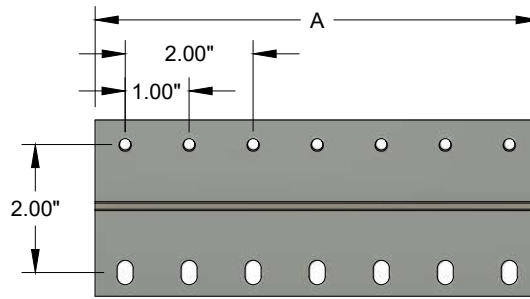
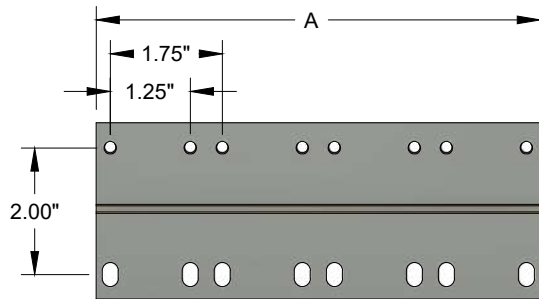
Moreng Telecom Products
973-237-2001
www.morengtel.com

BAY ACCESSORIES



RU GUIDE FOR ATTACHMENTS

USE WHEN SIZING MPA, MPF, AND MPS PARTS



1.75" EIA PATTERN

RU #	A	RU #	A
1	1.69	25	43.69
2	3.44	26	45.44
3	5.19	27	47.19
4	6.94	28	48.94
5	8.69	29	50.69
6	10.44	30	52.44
7	12.19	31	54.19
8	13.94	32	55.94
9	15.69	33	57.69
10	17.44	34	59.44
11	19.19	35	61.19
12	20.94	36	62.94
13	22.69	37	64.69
14	24.44	38	66.44
15	26.19	39	68.19
16	27.94	40	69.94
17	29.69	41	71.69
18	31.44	42	73.44
19	33.19	43	75.19
20	34.94	44	76.94
21	36.69	50	87.44
22	38.44	57	99.69
23	40.19	74	129.44
24	41.94		

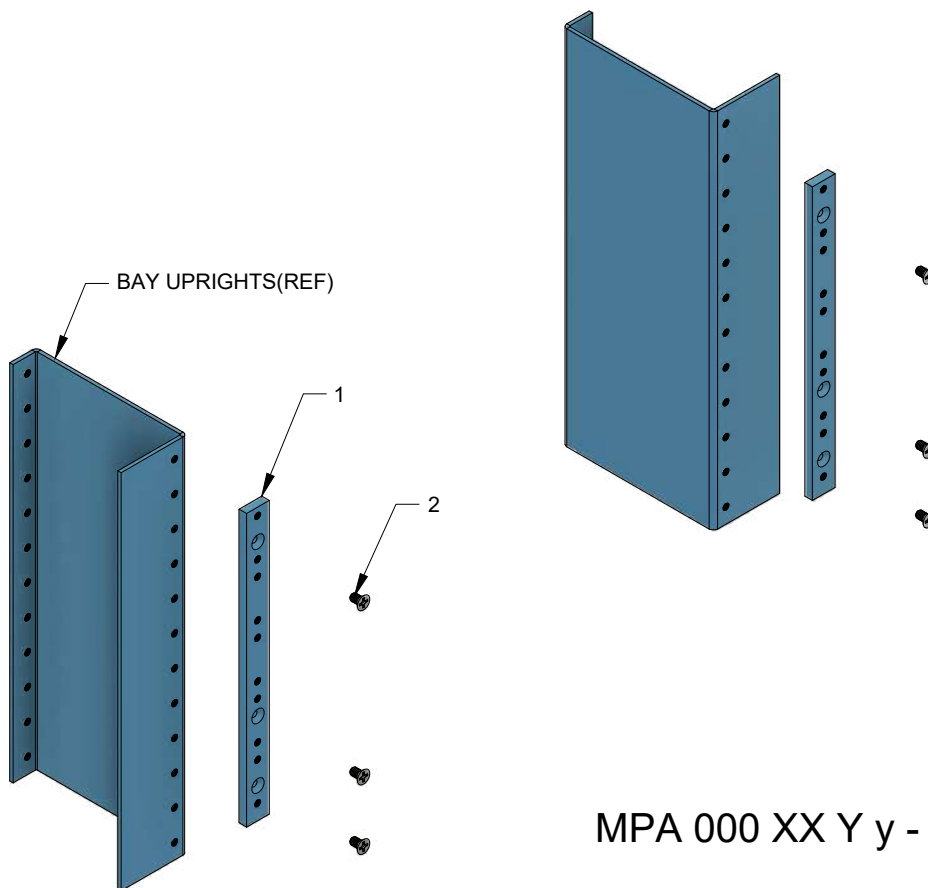
1" WECO PATTERN

RU #	A	RU #	A
1	1.69	22	43.44
2	3.44	23	45.44
3	5.44	24	47.44
4	7.44	25	49.44
5	9.44	26	51.44
6	11.44	27	53.44
7	13.44	28	55.44
8	15.44	29	57.44
9	17.44	30	59.44
10	19.44	31	61.44
11	21.44	32	63.44
12	23.44	33	65.44
13	25.44	34	67.44
14	27.44	35	69.44
15	29.44	36	71.44
16	31.44	37	73.44
17	33.44	38	75.44
18	35.44	39	77.44
19	37.44	44	87.44
20	39.44	50	99.44
21	41.44	65	129.44



MOUNTING PLATE ADAPTER KITS - MPA SERIES

(NO REDUCTION: CONVERTS RACK PATTERN)



ITEM	DESCRIPTION	QUANTITY
1	ADAPTER BRACKET	2
2	12-24 x 3/8" FHMS	VARIABLE

MPA 000 XX Y y - x

XX = # OF RU MOUNTING SPACES ON EQUIPMENT SIDE OF ADAPTER

Y = RACK MOUNTING PATTERN
 y = EQUIPMENT MOUNTING PATTERN
 1 = 1.75" EIA
 2 = 1.00" WEKO

x = FINISH:
 1 = MTP GRAY
 3 = NETWORK BLUE
 4 = OFF WHITE

MATERIAL: STEEL BAR

FOR FULL RACK ADAPTERS SEE EQUIPMENT RACK SECTIONS

OTHER MTP PATTERNS AVAILABLE

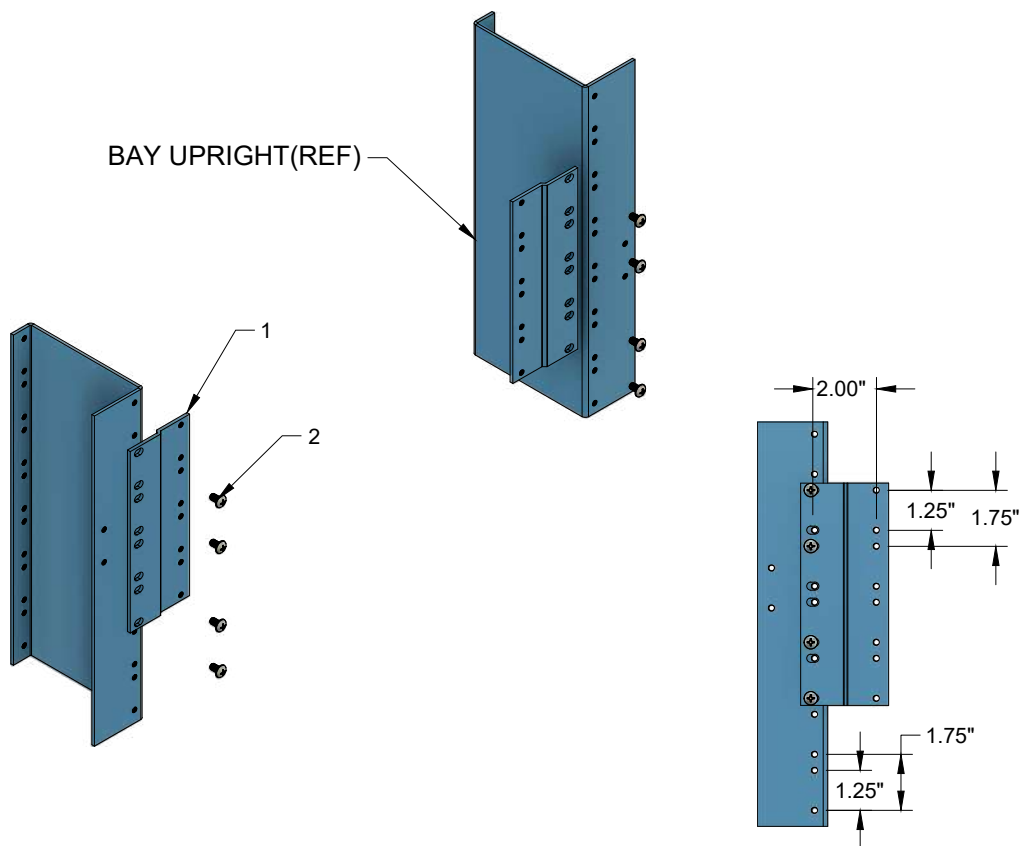
RU #	RACK PATTERN	EQUIPMENT PATTERN	PART #
3	2	1	MPA0000321-x
5	2	1	MPA0000521-x
10	2	1	MPA0001021-x
3	1	2	MPA0000312-x
5	1	2	MPA0000512-x
10	1	2	MPA0001012-x
XX	Y	y	MPA000XXYy-x

(04/27/23)



Moreng Telecom Products
 973-237-2001
 www.morengtel.com

MOUNTING PLATE ADAPTER KITS - MPA 1.75" EIA SERIES
 (4" OR GREATER REDUCTION - NO STANDOFF)
 1.75" EIA RACK SIDE TO 1.75" EIA EQUIPMENT SIDE



MATERIAL: SHEET STEEL

FOR FULL RACK ADAPTERS SEE EQUIPMENT RACK SECTIONS

OTHER MTP PATTERNS AVAILABLE

MPA 400 XX Y y - x

400 = 4.00" REDUCTION

XX = # OF RU MOUNTING SPACES ON EQUIPMENT SIDE OF ADAPTER

Y = RACK MOUNTING PATTERN

y = EQUIPMENT MOUNTING PATTERN

1 = 1.75" EIA

2 = 1.00" WECO

x = FINISH:

1 = MTP GRAY

3 = NETWORK BLUE

4 = OFF WHITE

B = BLACK

ITEM	DESCRIPTION	QUANTITY
1	ADAPTER BRACKET	2
2	12-24 x 5/16" PH PHILIPS, ZC	VARIABLE

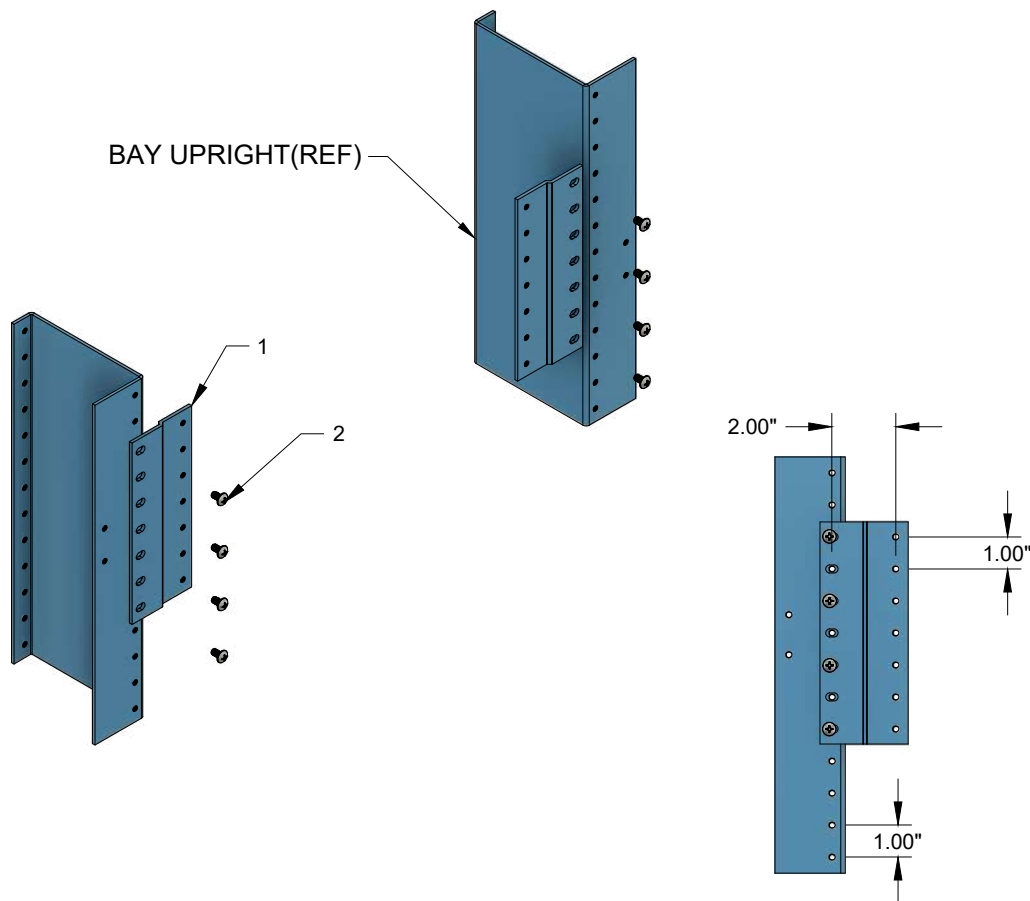
RU #	RACK PATTERN	EQUIPMENT PATTERN	PART #
1	1	1	MPA4000111-x
2	1	1	MPA4000211-x
3	1	1	MPA4000311-x
4	1	1	MPA4000411-x
5	1	1	MPA4000511-x
10	1	1	MPA4001011-x
XX	Y	y	MPA400XXYy-x

(06/18/24)



Moreng Telecom Products
 973-237-2001
 www.morengtel.com

MOUNTING PLATE ADAPTER KITS - MPA 1.00" WECO SERIES
 (4" OR GREATER REDUCTION - NO STANDOFF)
 1.00" WECO RACK SIDE TO 1.00" WECO EQUIPMENT SIDE



MATERIAL: SHEET STEEL

FOR FULL RACK ADAPTERS SEE EQUIPMENT RACK SECTIONS

OTHER MTP PATTERNS AVAILABLE

MPA 400 XX Y y - x

400 = 4.00" REDUCTION

XX = # OF RU MOUNTING SPACES ON EQUIPMENT SIDE OF ADAPTER

Y = RACK MOUNTING PATTERN
 y = EQUIPMENT MOUNTING PATTERN

1 = 1.75" EIA
 2 = 1.00" WECO

x = FINISH:
 1 = MTP GRAY
 3 = NETWORK BLUE
 4 = OFF WHITE
 B = BLACK

RU #	RACK PATTERN	EQUIPMENT PATTERN	PART #
1	2	2	MPA4000122-x
2	2	2	MPA4000222-x
3	2	2	MPA4000322-x
4	2	2	MPA4000422-x
5	2	2	MPA4000522-x
10	2	2	MPA4001022-x
XX	Y	y	MPA400XXYy-x

ITEM	DESCRIPTION	QUANTITY
1	ADAPTER BRACKET	2
2	12-24 x 5/16" PH PHILIPS, ZC	VARIABLE

(06/18/24)



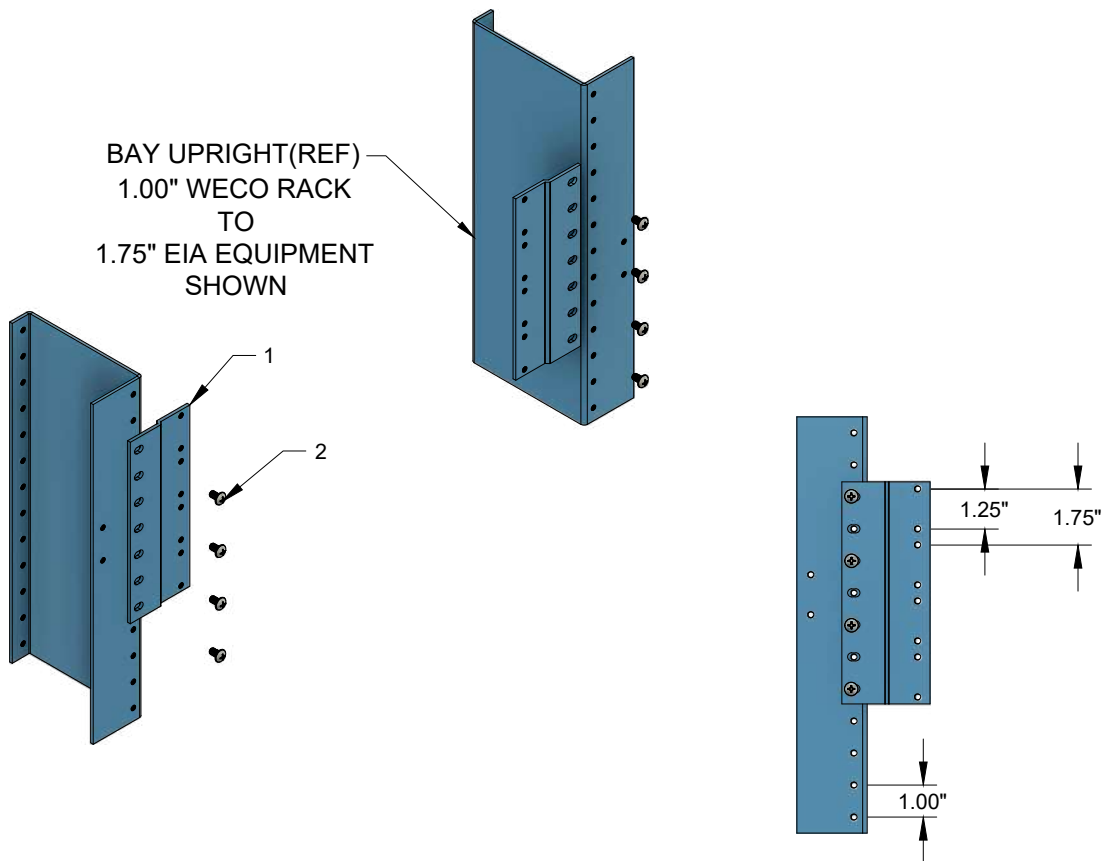
Moreng Telecom Products
 973-237-2001
 www.morengtel.com

MOUNTING PLATE ADAPTER KITS - MPA CROSS MOUNTING PATTERNS

(4" OR GREATER REDUCTION - NO STANDOFF)

1.00" WECO RACK SIDE TO 1.75" EIA EQUIPMENT SIDE

1.75" EIA RACK SIDE TO 1.00" WECO EQUIPMENT SIDE



BAY UPRIGHT(REF)
1.00" WECO RACK
TO
1.75" EIA EQUIPMENT
SHOWN

MATERIAL: SHEET STEEL

FOR FULL RACK ADAPTERS SEE EQUIPMENT RACK SECTIONS

OTHER MTP PATTERNS AVAILABLE

MPA 400 XX Y y - x

400 = 4.00" REDUCTION

XX = # OF RU MOUNTING SPACES ON EQUIPMENT SIDE OF ADAPTER

Y = RACK MOUNTING PATTERN
y = EQUIPMENT MOUNTING PATTERN

1 = 1.75" EIA
2 = 1.00" WECO

x = FINISH:
1 = MTP GRAY
3 = NETWORK BLUE
4 = OFF WHITE
B = BLACK

RU#	RACK PATTERN	EQUIPMENT PATTERN	PART #
1	2	1	MPA4000121-x
2	2	1	MPA4000221-x
3	2	1	MPA4000321-x
4	2	1	MPA4000421-x
5	2	1	MPA4000521-x
10	2	1	MPA4001021-x
1	1	2	MPA4000112-x
2	1	2	MPA4000212-x
3	1	2	MPA4000312-x
4	1	2	MPA4000412-x
5	1	2	MPA4000512-x
10	1	2	MPA4001012-x
XX	Y	y	MPA400XXYy-x

ITEM	DESCRIPTION	QUANTITY
1	ADAPTER BRACKET	2
2	12-24 x 5/16" PH PHILIPS, ZC	VARIABLE

(06/18/24)



Moreng Telecom Products
973-237-2001
www.morengtel.com

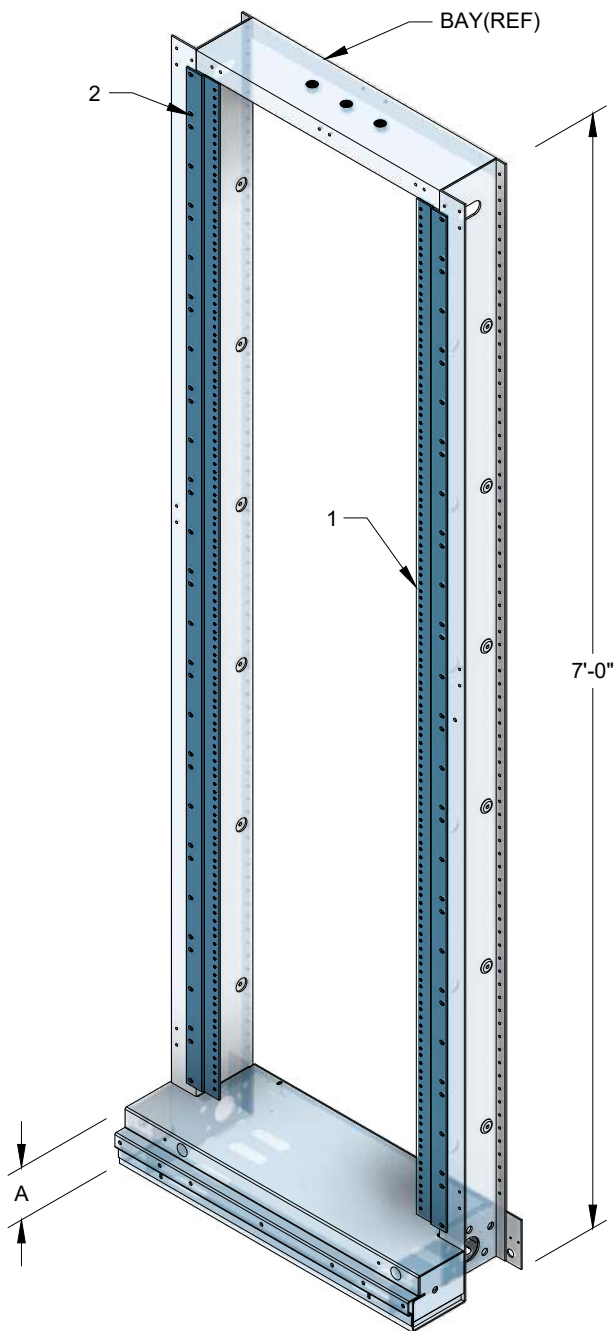
FULL BAY REDUCING BRACKETS 23" TO 19" FOR NETWORK AND UEF

MATERIAL: CARBON STEEL

FINISH OPTIONS:

- x = 1: MTP GRAY
- x = 3: NETWORK BLUE
- x = 4: OFF WHITE
- OTHER FINISHES AVAILABLE

ALL ASSEMBLY HARDWARE INCLUDED



A	4"	4"	6"	6"
BAY	UNIVERSAL	UNIVERSAL	UNIVERSAL	UNIVERSAL
EQUIPMENT	1.75" EIA	1" WECO	1.75" EIA	1" WECO

ITEM	DESCRIPTION	R8MR0841-x	R8MR0842-x	R2MR0841-x	R2MR0842-x
1	ADAPTER BRACKET	2	2	2	2
2	12-24 x 5/16" PH PHILIPS, ZC	46	46	68	68

(04/27/23)

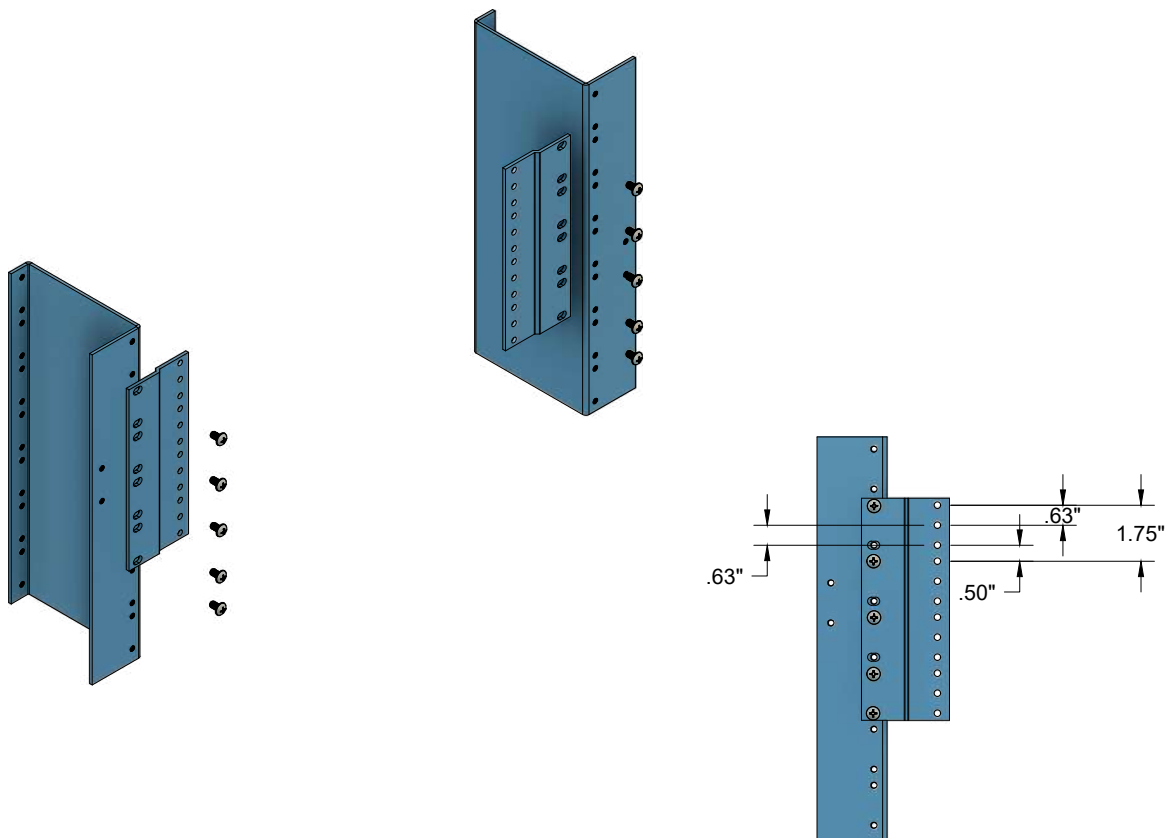


Moreng Telecom Products
973-237-2001
www.morengtel.com

MOUNTING PLATE ADAPTER KITS - MPA 1.75" UNIVERSAL (4 HOLE)

(4" OR GREATER REDUCTION - NO STANDOFF)

1.75" EIA (3 HOLE) RACK SIDE TO 1.75" EIA UNIVERSAL (4 HOLE) EQUIPMENT SIDE



MATERIAL: SHEET STEEL

FOR FULL RACK ADAPTERS SEE EQUIPMENT RACK SECTIONS

OTHER MTP PATTERNS AVAILABLE

MPA ZZZ XX Y y - x

ZZZ = REDUCTION

XX = # OF MTG PLACES ON EQUIPMENT SIDE OF ADAPTER

Y = RACK MTG PATTERN

1 = 1.75" EIA "3 HOLE" MTG PATTERN

2 = 1.00" WEICO MTG PATTERN

3 = 1.75" EIA UNIVERSAL "4 HOLE" MTG PATTERN

y = EQUIPMENT MTG PATTERN

x = FINISH:

1 = MTP GRAY

3 = NETWORK BLUE

4 = OFF WHITE

B = BLACK

ITEM	PART #	DESCRIPTION	QUANTITY
1	ZZZXXYy-x	ADAPTER BRACKET	2
2	MPP01224031C	12-24 x 5/16" PH PHILIPS, ZC	VARIABLE

DESCRIPTION	PART #
1 RU MOUNTING PLACE	MPA4000113-x
2 RU MOUNTING PLACE	MPA4000213-x
3 RU MOUNTING PLACE	MPA4000313-x
4 RU MOUNTING PLACE	MPA4000413-x
5 RU MOUNTING PLACE	MPA4000513-x
10 RU MOUNTING PLACE	MPA4001013-x

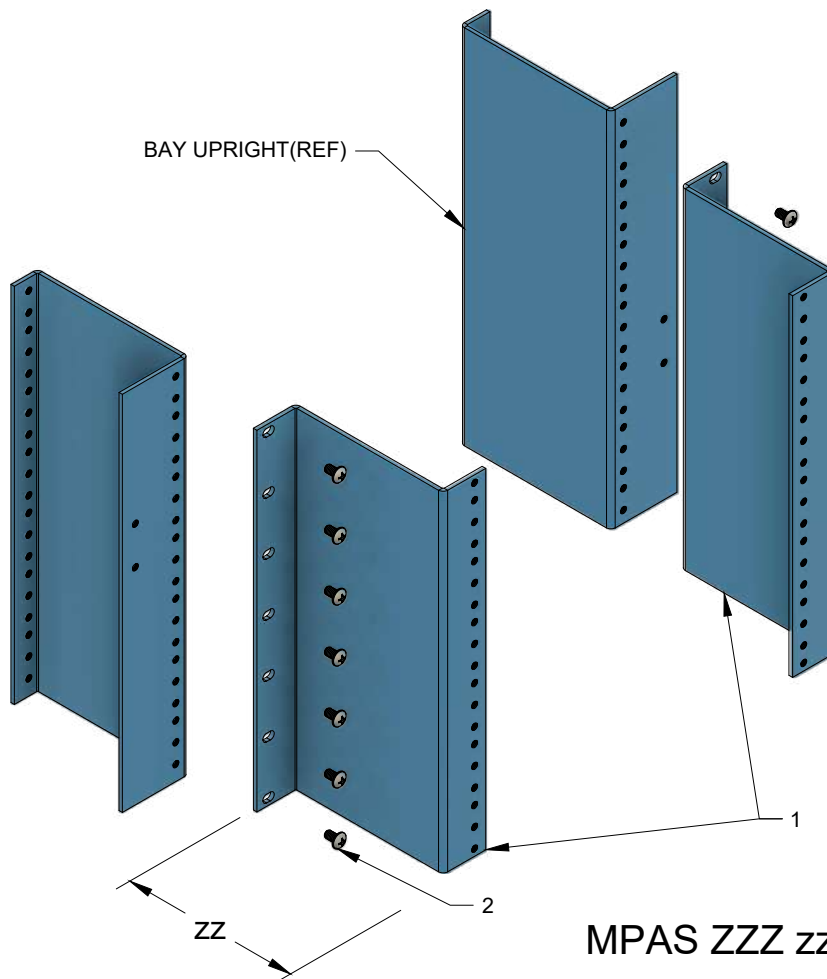
(08/29/24)



Moreng Telecom Products
973-237-2001
www.morengtel.com

MOUNTING PLATE ADAPTER KITS - MPAS SERIES

(4" OR GREATER REDUCTION WITH STAND-OFF)



MATERIAL: SHEET STEEL

FOR FULL RACK ADAPTERS SEE EQUIPMENT RACK SECTIONS

OTHER MTP PATTERNS AVAILABLE

MPAS ZZZ zz XX Y y - x

ZZZ = REDUCTION

zz = STAND-OFF(WHOLE INCHES)

XX = # OF RU MOUNTING SPACES ON EQUIPMENT SIDE OF ADAPTER

Y = RACK MOUNTING PATTERN

y = EQUIPMENT MOUNTING PATTERN

1 = 1.75" EIA

2 = 1.00" WECO

x = FINISH:

1 = MTP GRAY

3 = NETWORK BLUE

4 = OFF WHITE

ITEM	DESCRIPTION	QUANTITY
1	ADAPTER BRACKET	2
2	12-24 x 5/16" PH PHILIPS, ZC	VARIABLE

STAND OFF (INCHES)	RU #	RACK PATTERN	EQUIPMENT PATTERN	PART #
05	05	1	1	MPAS400050511-x
05	10	1	1	MPAS400051011-x
12	13	1	1	MPAS400121311-x
zz	XX	Y	y	MPAS400zzXXYy-x

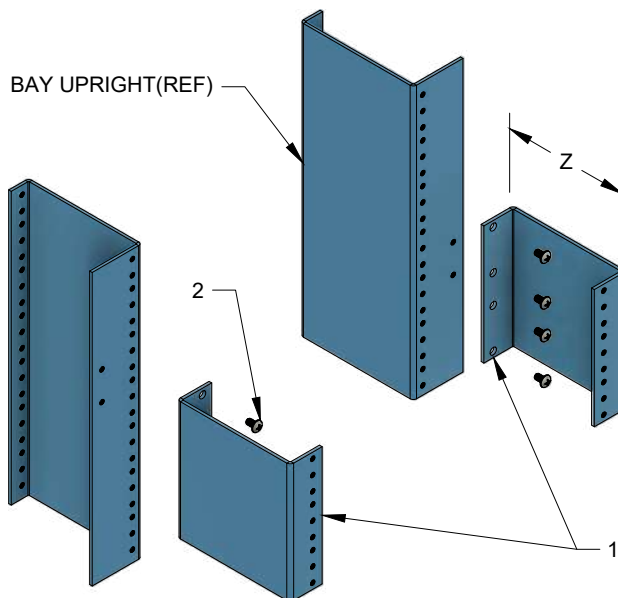
(06/18/24)



Moreng Telecom Products
973-237-2001
www.morengtel.com

MOUNTING PLATE STAND-OFF KITS - MPS SERIES

(3" MIN / 12" MAX)



MPS ZZ XX Y y - x

ZZ = STAND-OFF (1 DIGIT UP TO 9)

XX = # OF RU MOUNTING SPACES ON EQUIPMENT SIDE OF ADAPTER

Y = RACK MOUNTING PATTERN
 y = EQUIPMENT MOUNTING PATTERN
 1 = 1.75" EIA
 2 = 1.00" WECO

x = FINISH:
 1 = MTP GRAY
 3 = NETWORK BLUE
 4 = OFF WHITE

EXAMPLE CODES FOR CROSS PATTERNS:

MPS ZZ XX 1 2 - X

1.75" EIA RACK SIDE TO 1.00" WECO EQUIPMENT SIDE

MPS ZZ XX 2 1 - X

1.00" WECO RACK SIDE TO 1.75" EIA EQUIPMENT SIDE

MATERIAL: SHEET STEEL

OTHER MTP PATTERNS AVAILABLE

ITEM	PART #	DESCRIPTION	QUANTITY
1	ZZXXYy-x	STAND-OFF BRACKET	2
2	MPP01224031C	12-24 x 5/16" PH PHILIPS, ZC	VARIABLE

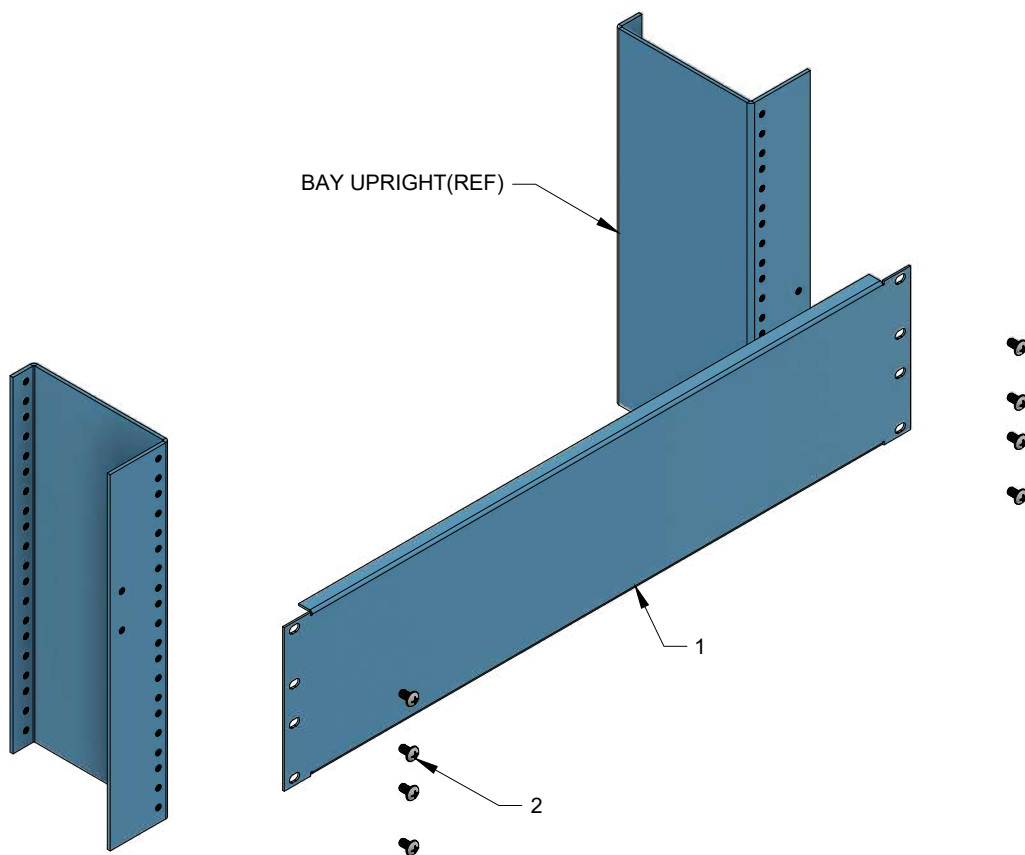
RU #	RACK PATTERN	EQUIPMENT PATTERN	Z = 12"	Z = 7"	Z = 5"	Z = 3"
1	1	1		MPS700111-x	MPS500111-x	MPS300111-x
2	1	1		MPS700211-x	MPS500211-x	MPS300211-x
3	1	1		MPS700311-x	MPS500311-x	MPS300311-x
4	1	1		MPS700411-x	MPS500411-x	MPS300411-x
5	1	1	MPS120511-x	MPS700511-x	MPS500511-x	MPS300511-x
10	1	1	MPS121011-x	MPS701011-x	MPS501011-x	MPS301011-x
1	2	2		MPS700122-x	MPS500122-x	MPS300122-x
2	2	2		MPS700222-x	MPS500222-x	MPS300222-x
3	2	2		MPS700322-x	MPS500322-x	MPS300322-x
4	2	2		MPS700422-x	MPS500422-x	MPS300422-x
5	2	2	MPS1200522-x	MPS700522-x	MPS500522-x	MPS300522-x
10	2	2	MPS121022-x	MPS701022-x	MPS501022-x	MPS301022-x
XX	Y	y	MPS12XXYy-x	MPS70XXYy-x	MPS50XXYy-x	MPS30XXYy-x

(06/18/24)



Moreng Telecom Products
 973-237-2001
 www.morengtel.com

MOUNTING PLATE BLANK KITS - MPB SERIES



MPB ZZ XX Y - x

ZZ = RACK WIDTH (19" OR 23")

XX = # OF RU MOUNTING SPACES

Y = RACK MTG PATTERN

1 = 1.75" EIA MOUNTING PATTERN

2 = 1.00" WECO MOUNTING PATTERN

x = FINISH:

1 = MTP GRAY

3 = NETWORK BLUE

4 = OFF WHITE

ITEM	DESCRIPTION	QUANTITY
1	BLANK PLATE	2
2	12-24 x 5/16" PH PHILIPS, ZC	VARIABLE

MATERIAL: .060 SHEET STEEL

OTHER MTP PATTERNS AVAILABLE

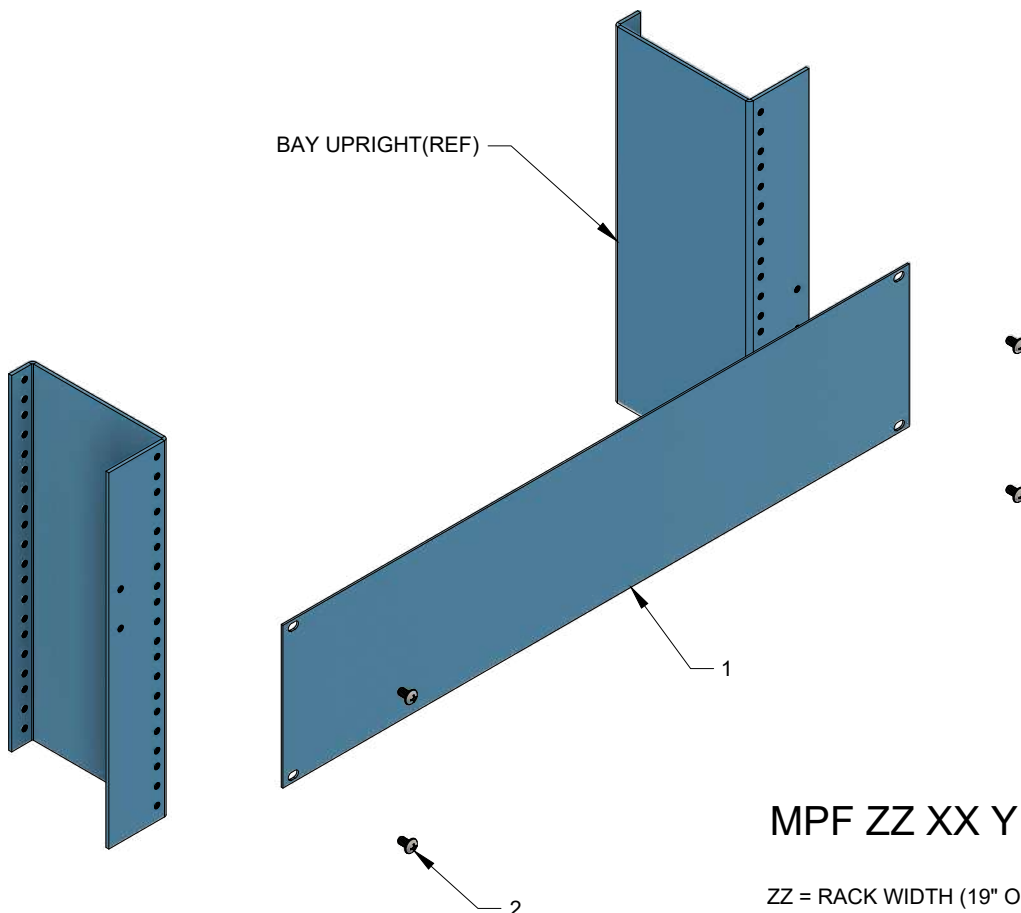
RU #	RACK PATTERN	23" RACK	19" RACK
1	1	MPB23011-x	MPB19011-x
3	1	MPB23031-x	MPB19031-x
5	1	MPB23051-x	MPB19051-x
1	2	MPB23012-x	MPB19012-x
3	2	MPB23032-x	MPB19032-x
5	2	MPB23052-x	MPB19052-x
XX	Y	MPB23XXY-x	MPB19XXY-x

(04/27/23)



Moreng Telecom Products
973-237-2001
www.morengtel.com

MOUNTING PLATE FILLER KITS - MPF SERIES



MPF ZZ XX Y - x

ZZ = RACK WIDTH (19" OR 23")

XX = # OF RU MOUNTING SPACES

Y = RACK MTG PATTERN
 0 = UNIVERSAL MOUNTING PATTERN
 1 = 1.75" EIA MOUNTING PATTERN
 2 = 1.00" WECO MOUNTING PATTERN

x = FINISH:
 1 = MTP GRAY
 3 = NETWORK BLUE
 4 = OFF WHITE

ITEM	DESCRIPTION	QUANTITY
1	FILLER PLATE	2
2	12-24 x 5/16" PH PHILIPS, ZC	VARIABLE

MATERIAL: .060 SHEET STEEL
 OTHER MTP PATTERNS AVAILABLE

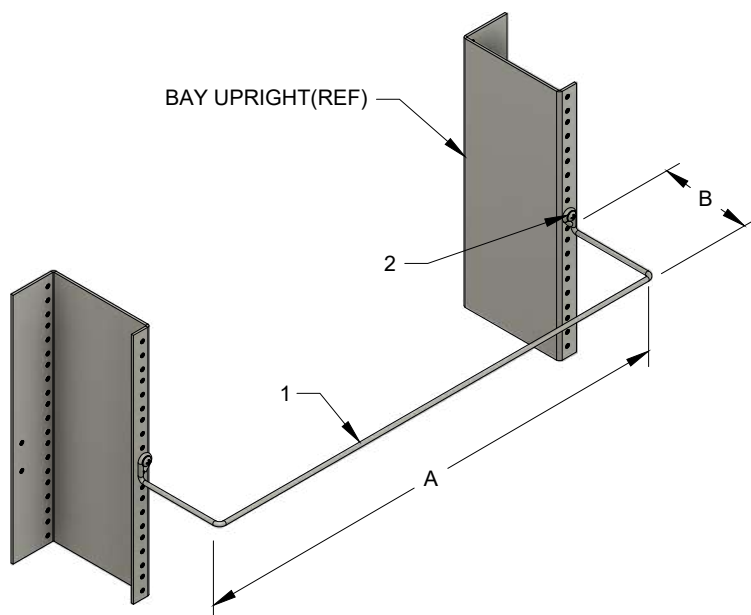
RU #	RACK PATTERN	23" RACK	19" RACK
1	1	MPF23011-x	MPF19011-x
3	1	MPF23031-x	MPF19031-x
5	1	MPF23051-x	MPF19051-x
1	2	MPF23012-x	MPF19012-x
3	2	MPF23032-x	MPF19032-x
5	2	MPF23052-x	MPF19052-x
1	0	MPF23010-x	MPF19010-x
5	0	MPF23050-x	MPF19050-x
XX	Y	MPF23XXY-x	MPF19XXY-x

(06/18/24)



Moreng Telecom Products
 973-237-2001
www.morengtel.com

CABLE BRACKETS FOR REAR OF RACK BAYS



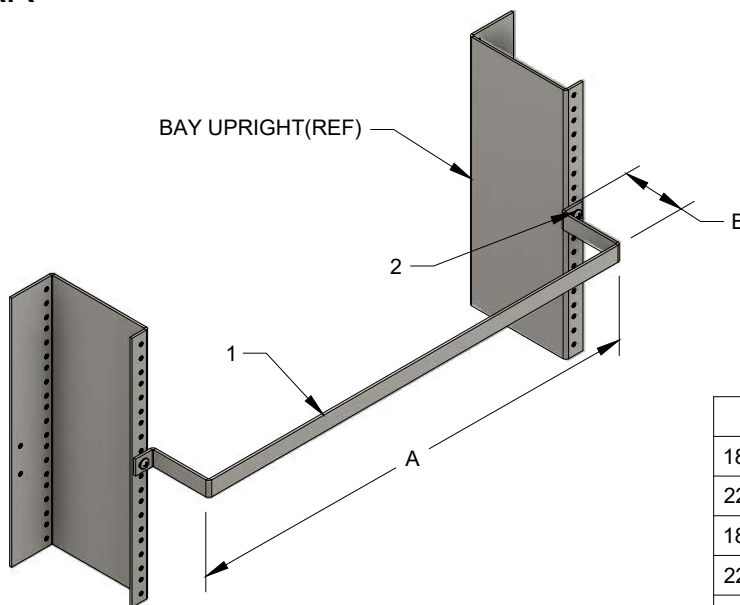
A	B	PART #
18.31"		R2-19-120
18.31"	2"	R2-19-122
18.31"	4"	R2-19-124
18.31"	8"	R2-19-128
18.31"	y"	R2-19-12y
22.31"		R2-23-120
22.31"	2"	R2-23-122
22.31"	4"	R2-23-124
22.31"	8"	R2-23-128
22.31"	y"	R2-23-12y

FINISH OPTIONS:

- MTP GRAY IS STANDARD
- ADD -3 TO PART# FOR NETWORK BLUE
- ADD -4 TO PART# FOR OFF WHITE
- ADD -B TO PART# FOR BLACK

ITEM	DESCRIPTION	QUANTITY
1	CABLE BRACKET	1
2	12-24 x 3/8" PH PHILIPS, ZC	2

CABLE BRACKETS FOR REAR OF RACK BAYS: 3/4 " FLAT BAR



A	B	PART #
18.31"	4"	R2-19-1304-xK
22.31"	4"	R2-23-1304-xK
18.31"	8"	R2-19-1308-xK
22.31"	8"	R2-23-1308-xK
18.31"	yy"	R2-19-13yy-xK
22.31"	yy"	R2-23-13yy-xK

FINISH OPTIONS:

- x = 1: MTP GRAY
- x = 3: NETWORK BLUE
- x = 4: OFF WHITE
- x = B: BLACK

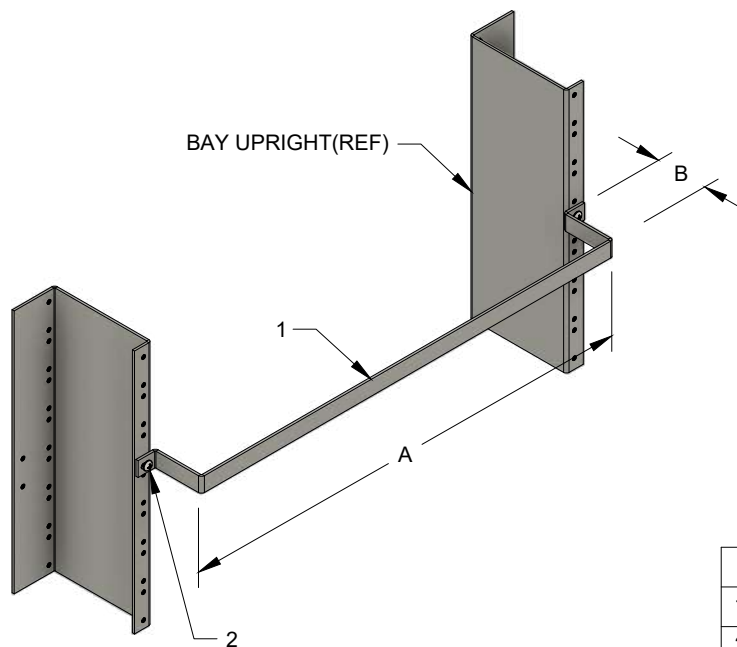
ITEM	DESCRIPTION	QUANTITY
1	CABLE BRACKET	1
2	12-24 x 3/8" PH PHILIPS, ZC	2

(04/02/24)



Moreng Telecom Products
973-237-2001
www.morengtel.com

CABLE BRACKETS FOR REAR OF RACK BAYS: 3/4 " FLAT BAR

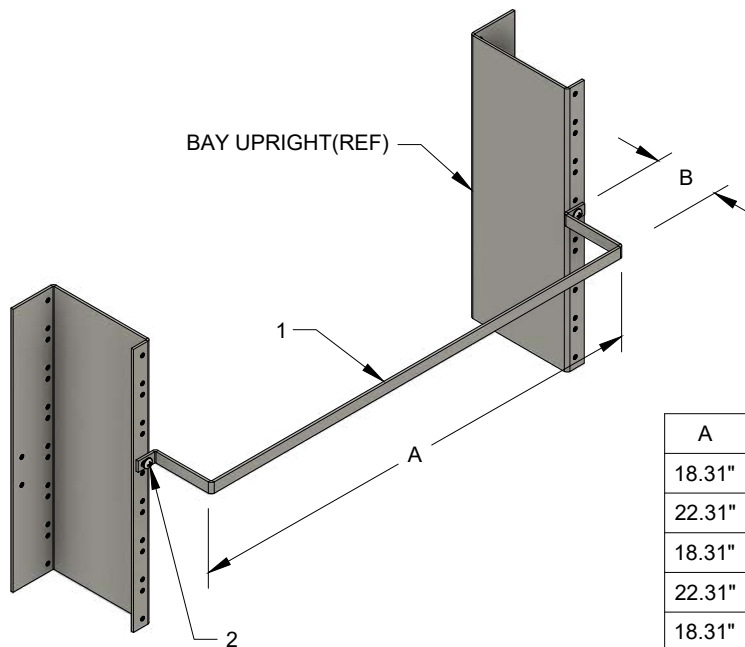


A	B	PART #
18.31"	2.5"	R2-19-1335
22.31"	2.5"	R2-23-1335

ITEM	DESCRIPTION	QUANTITY
1	CABLE BRACKET	1
2	12-24 x 3/8" PH PHILIPS, ZC	2

FINISH: MTP GRAY POWDER

CABLE BRACKETS FOR REAR OF RACK BAYS: 1/2 " FLAT BAR



A	B	PART #
18.31"	4"	R2-19-1404-xK
22.31"	4"	R2-23-1404-xK
18.31"	8"	R2-19-1408-xK
22.31"	8"	R2-23-1408-xK
18.31"	yy"	R2-19-14yy-xK
22.31"	yy"	R2-23-14yy-xK

FINISH OPTIONS:
 x = 1: MTP GRAY
 x = 3: NETWORK BLUE
 x = 4: OFF WHITE
 x = B: BLACK

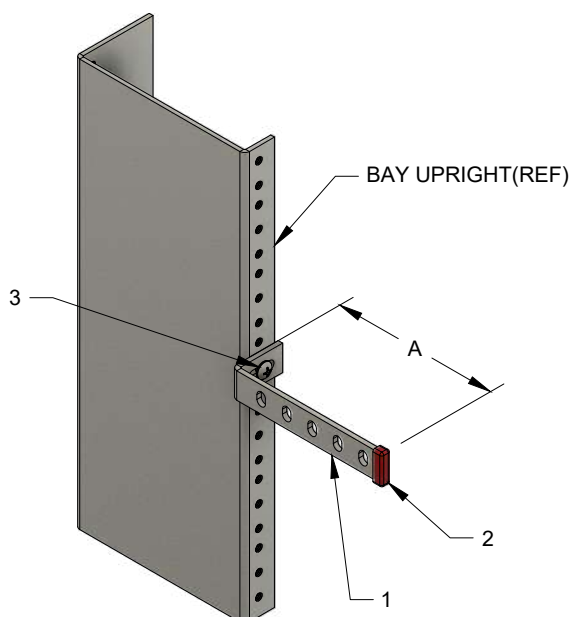
ITEM	DESCRIPTION	QUANTITY
1	CABLE BRACKET	1
2	12-24 x 3/8" PH PHILIPS, ZC	2

(07/01/24)



Moreng Telecom Products
 973-237-2001
www.morengtel.com

CABLE TIE BRACKETS FOR REAR OF RACK BAYS



FINISH OPTIONS:

STANDARD R2-72yK IS GRAY

R2-722K-x

x = 3: NETWORK BLUE

x = 4: OFF WHITE

x = B: BLACK

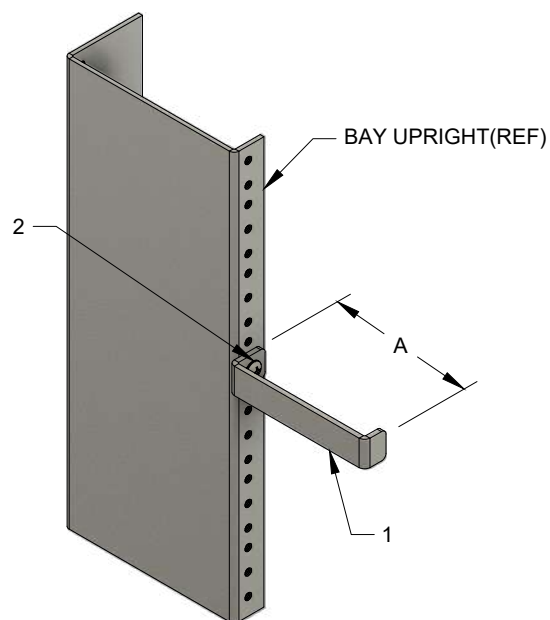
x = Y: ZINC YELLOW CHROMATE

OTHER FINISHES AVAILABLE

A	PART #
2"	R2-722K
3"	R2-723K
4.5"	R2-724K
5"	R2-725K
6"	R2-726K

ITEM	DESCRIPTION	QUANTITY
1	CABLE TIE BRACKET	1
2	RED PLASTIC CAP	1
3	12-24 x 3/8" PH PHILIPS, ZC	1

CABLE TIE BARS FOR REAR OF RACK BAYS



FINISH OPTIONS:

x = 1: GRAY

x = 3: NETWORK BLUE

x = 4: OFF WHITE

x = B: BLACK

OTHER FINISHES AVAILABLE

A	PART #
2"	R2-732-xK
3"	R2-733-xK
4"	R2-734-xK
5"	R2-735-xK
6"	R2-736-xK
7"	R2-737-xK
8"	R2-738-xK
10"	R2-7310-xK

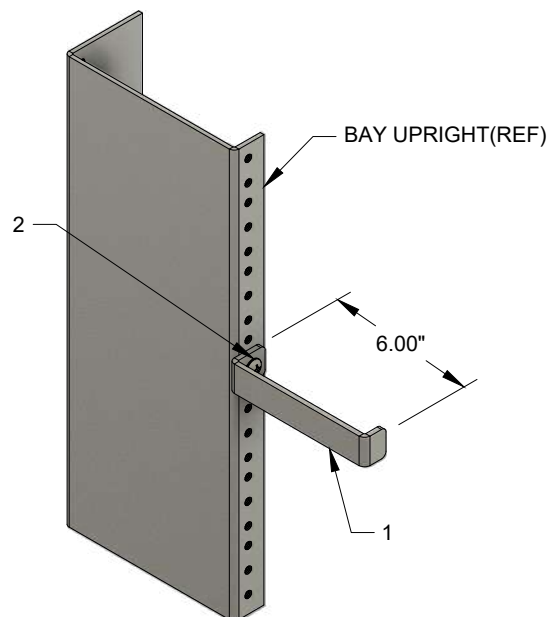
ITEM	DESCRIPTION	QUANTITY
1	CABLE TIE BAR	1
2	12-24 x 3/8" PH PHILIPS, ZC	1

(07/01/24)



Moreng Telecom Products
973-237-2001
www.morengtel.com

CABLE BRACKETS FOR REAR OF RACK BAYS: PACK OF 100



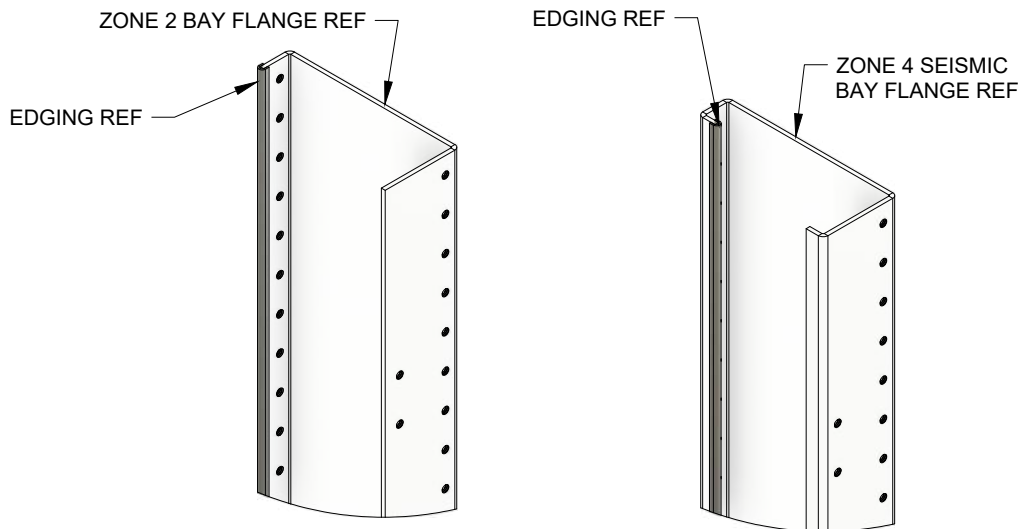
FINISH OPTIONS:

x = 1: GRAY
 x = 3: NETWORK BLUE
 x = 4: OFF WHITE
 x = B: BLACK
 OTHER FINISHES AVAILABLE

ITEM	DESCRIPTION	R2-736-xK100
1	CABLE BRACKET	100
2	12-24 x 5/16" PH PHILIPS, ZC	100



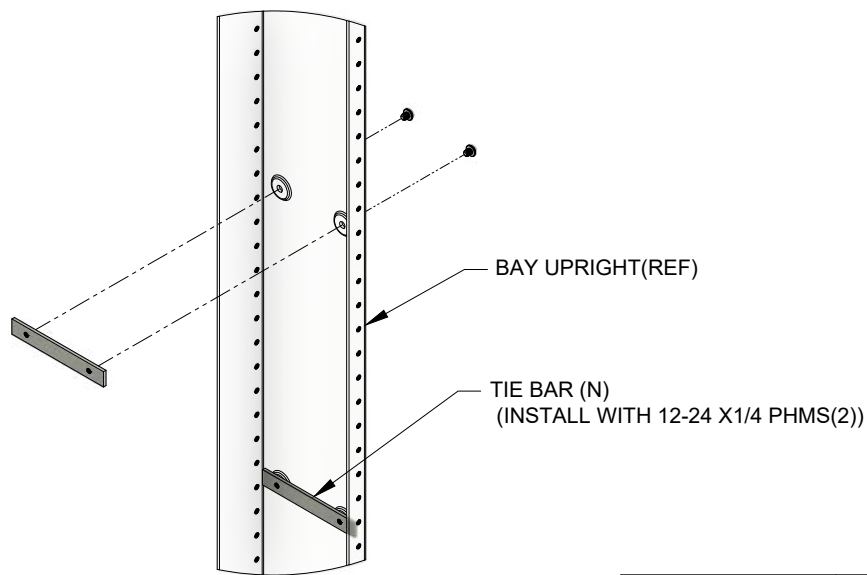
EDGE GUARD STRIP



MATERIAL: UL 94 RPVC

LENGTH	PART #
42"	R2-706-042
84"	R2-706-084

STEEL CABLE TIE BAR KIT



FINSIH: ZINC CLEAR

FRAME HEIGHT	N QTY	PART #
7'	12	R8R084-CTS
9'	26	R8R108-CTS
11'-6"	20	R8R138-CTS

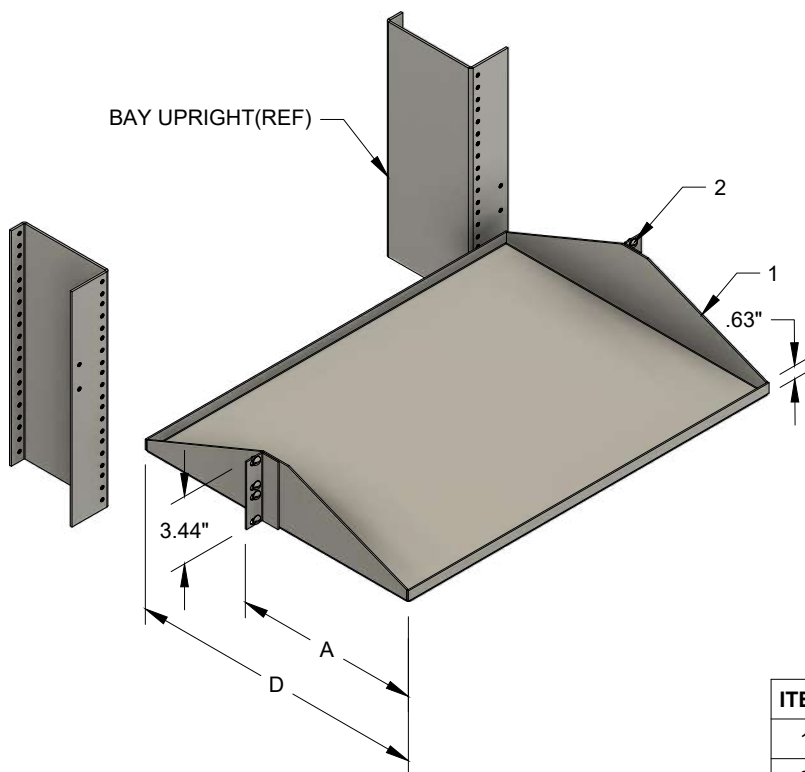
(08/14/24)



Moreng Telecom Products
973-237-2001
www.morengtel.com

EQUIPMENT SHELVES - ES SERIES

(FLANGED ALL SIDES)



MATERIAL: SHEET STEEL

CAN BE USED ON FRONT OR REAR FLANGE

OPTIONS:

USE PART NUMBER CODE AS SHOWN

ES ZZZ XXX - x

ZZZ = RACK WIDTH
(190 FOR 19") (230 FOR 23")

XXX = D(DIMENSION)

x = FINISH:

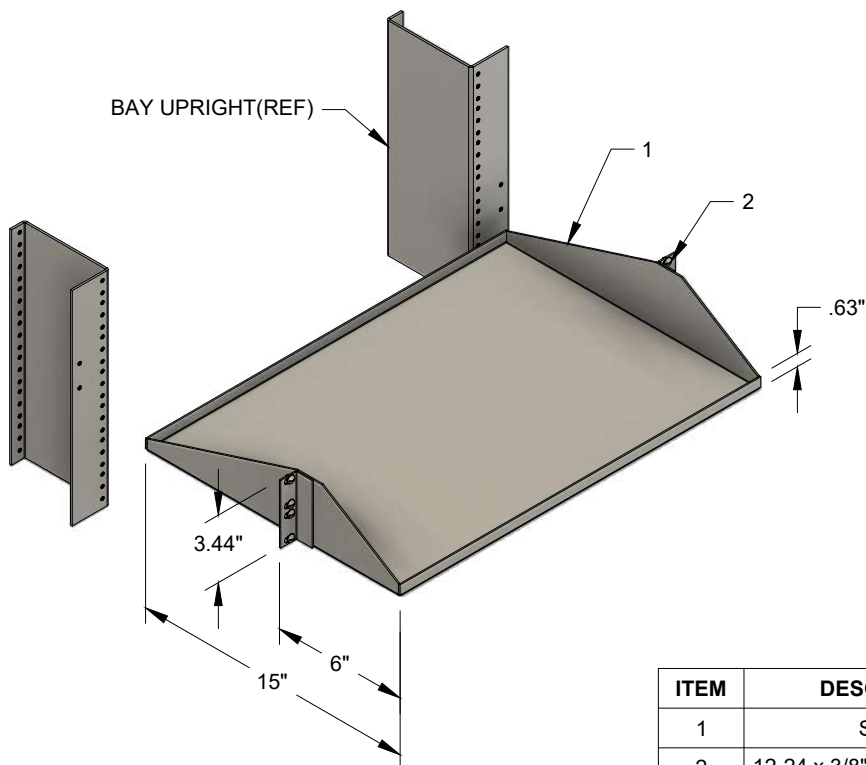
- 1 = MTP GRAY
- 3 = NETWORK BLUE
- 4 = OFF WHITE

A	D	23" RACK
4.5"	11.5"	ES230115-x
8.5"	15.5"	ES230155-x
8.5"	19.5"	ES230195-x

ITEM	DESCRIPTION	QUANTITY
1	SHELF	1
2	12-24 x 3/8" PH PHILIPS, ZC	8

EQUIPMENT SHELVES - ES SERIES

(FLANGED ALL SIDES)



MATERIAL: SHEET STEEL

FINISH: MTP GRAY

CAN BE USED ON FRONT OR REAR FLANGE

FOR 6-3-6 BATTERY BAY

ITEM	DESCRIPTION	ES2315006-1
1	SHELF	1
2	12-24 x 3/8" PH PHILIPS, ZC	8

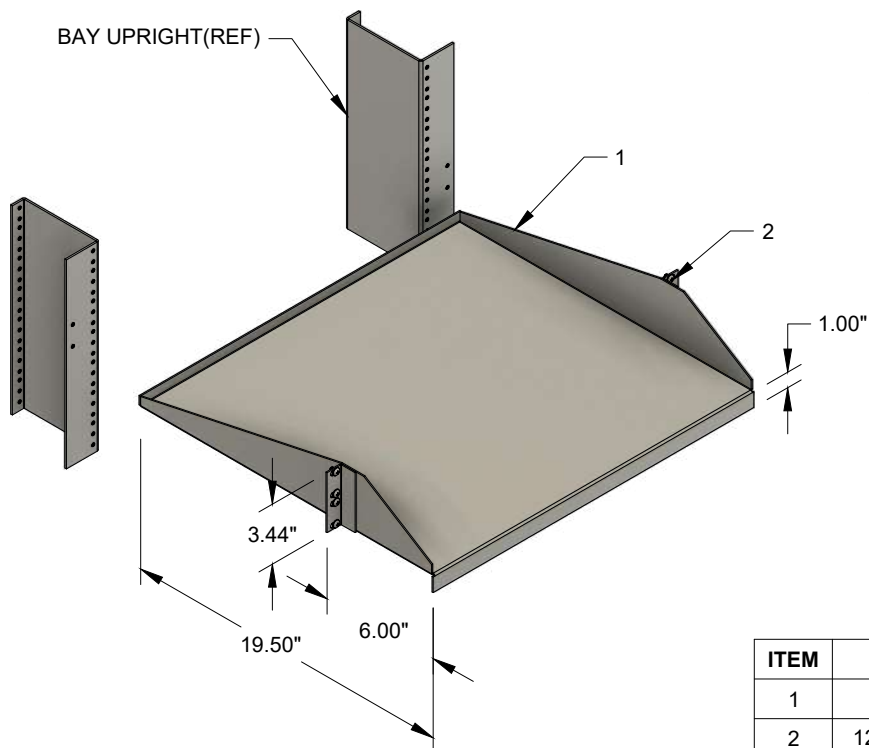
(04/27/23)



Moreng Telecom Products
973-237-2001
www.morengtel.com

EQUIPMENT SHELVES - EST SERIES

(OPEN FRONT FOR MONITOR OR KEYBOARD)



EST ZZZ 195 - x

ZZZ = RACK WIDTH
(190 FOR 19") (230 FOR 23")

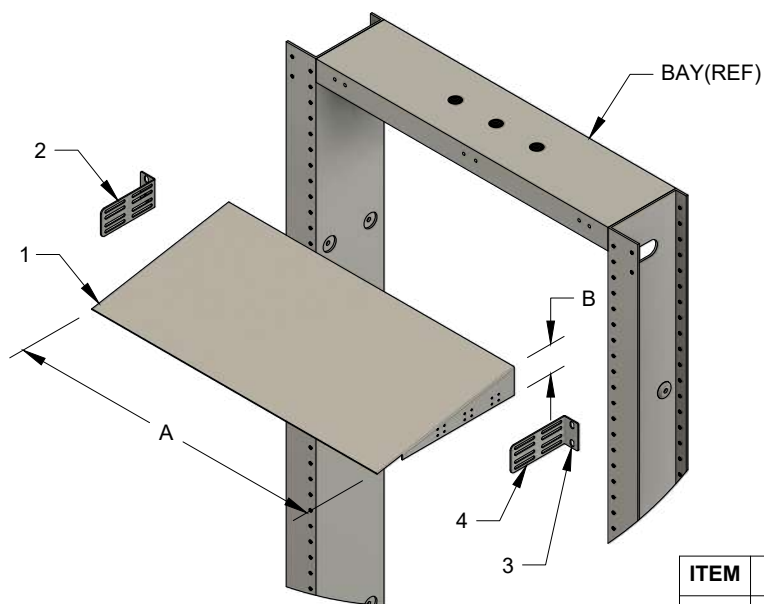
x = FINISH:
1 = MTP GRAY
2 = NETWORK BLUE
3 = OFF WHITE

MATERIAL: SHEET STEEL

23" RACK	19" RACK
EST230195-x	EST190195-x

ITEM	DESCRIPTION	QUANTITY
1	SHELVE	1
2	12-24 x 3/8" PH PHILIPS, ZC	8

ADJUSTABLE HEAT BAFFLE



A	B	PART #
18.31"	1.75"	MHB-19A-1K
22.31"	1.75"	MHB-23A-1K

ITEM	DESCRIPTION	QUANTITY
1	BAFFLE	1
2	BAFFLE BRACKET	2
3	12-24 x 3/8" PH PHILIPS, ZC	4
4	6-32 x 3/16" PH PHILIPS, ZC	8

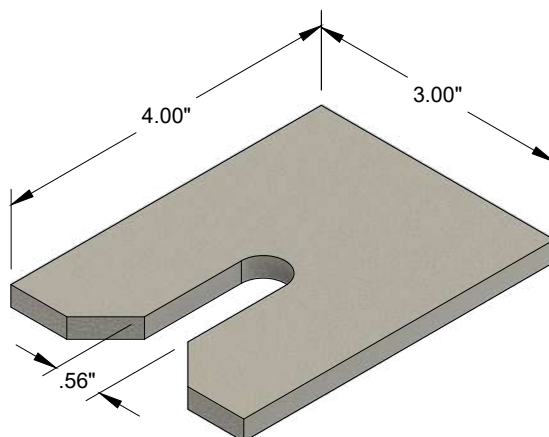
FINISH: MTP GRAY POWDER

(01/17/24)



Moreng Telecom Products
973-237-2001
www.morengtel.com

FLOOR SHIM KIT - BAYS

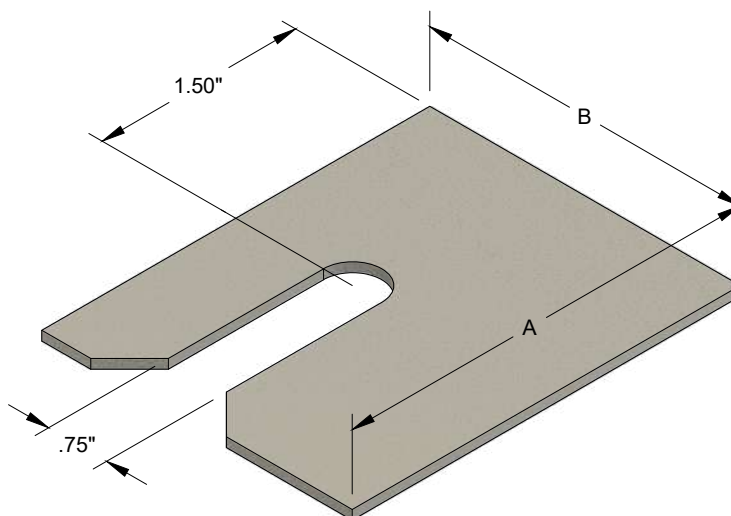


MATERIAL: CARBON STEEL

FINISH: ZINC PLATED

ITEM	DESCRIPTION	D	R8-503K2	R8-503K2Q	R8-504K2Q	R8-504K12Q	R8-505AK50	R8-505K4	R8-505K50
1	0.18" SHIM	0.18"	2	2					
2	0.12" SHIM	0.12"	2	2	2	12		2	
3	0.06" SHIM	0.06"	2	2	2	12		4	50
4	0.03" SHIM	0.03"		4	4	12	50	4	

FLOOR SHIM KIT BATTERY STANDS



ITEM	DESCRIPTION	A	B	D	QW408A	QW408C
1	4.5" x 4.5" x 0.06" SHIM	4.5"	4.5"	0.06"		12
2	4.5" x 4.5" x 0.12" SHIM	4.5"	4.5"	0.12"		6
3	4.5" x 4.5" x 0.25" SHIM	4.5"	4.5"	0.25"		6
4	5" x 4" x 0.06" SHIM	5"	4"	0.06"	8	
5	5" x 4" x 0.12" SHIM	5"	4"	0.12"	4	
6	5" x 4" x 0.25" SHIM	5"	4"	0.25"	4	

MATERIAL: CARBON STEEL

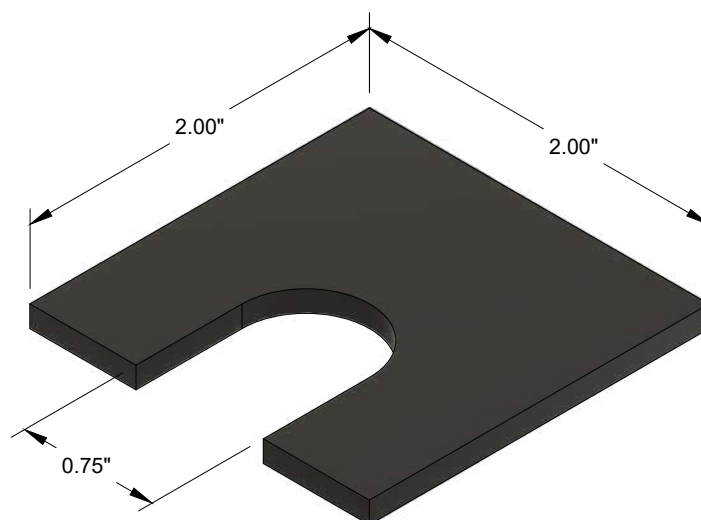
FINISH: ZINC PLATED

(04/27/23)



Moreng Telecom Products
973-237-2001
www.morengtel.com

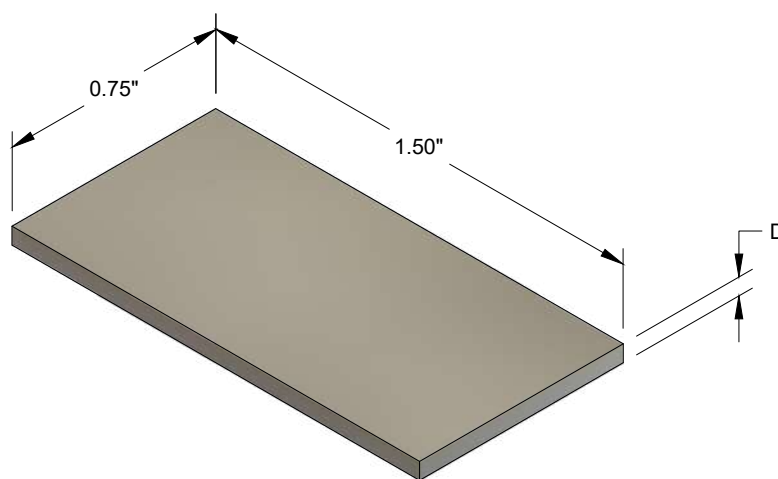
FLOOR SHIM KIT



MATERIAL: PHENOLIC PLASTIC

ITEM	DESCRIPTION	D	R8-504K12P
1	2" x 2" x 1/8" PHENOLIC SHIM	1/8"	12
2	2" x 2" x 1/16" PHENOLIC SHIM	1/16"	12
3	2" x 2" x 1/32" PHENOLIC SHIM	1/32"	12

SHIM KITS - MISCELLANEOUS APPLICATIONS



MATERIAL: CARBON STEEL

FINISH: NONE

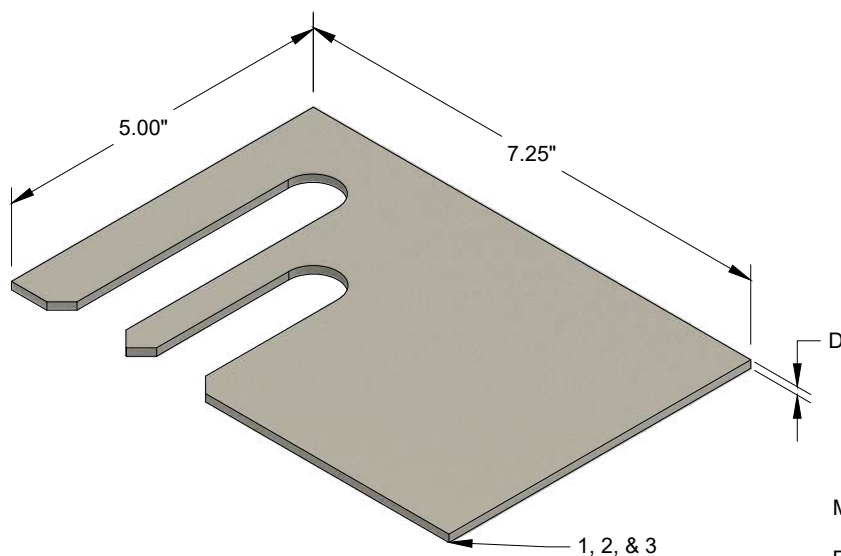
ITEM	DESCRIPTION	D	QW120603K100	QW120606K100
1	0.75" x 1.5" x 0.03" SHIM	0.03"	100	
2	0.75" x 1.5" x 0.06" SHIM	0.06"		100

(04/27/23)



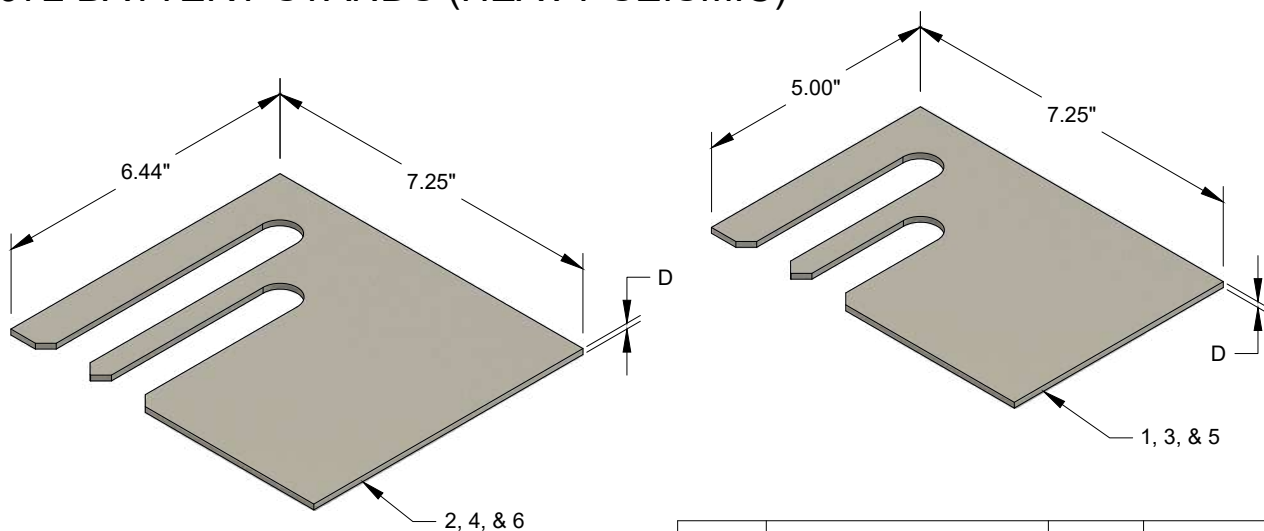
Moreng Telecom Products
973-237-2001
www.morengtel.com

SHIM KIT FOR ENERSYS N872 BATTERY STANDS(LIGHT SEISMIC)



ITEM	DESCRIPTION	D	QW408EL
1	5" x 7.25" x 0.06" SHIM	0.06"	8
2	5" x 7.25" x 0.12" SHIM	0.12"	4
3	5" x 7.25" x 0.25" SHIM	0.25"	4

SHIM KIT FOR ENERSYS N972 BATTERY STANDS (HEAVY SEISMIC)



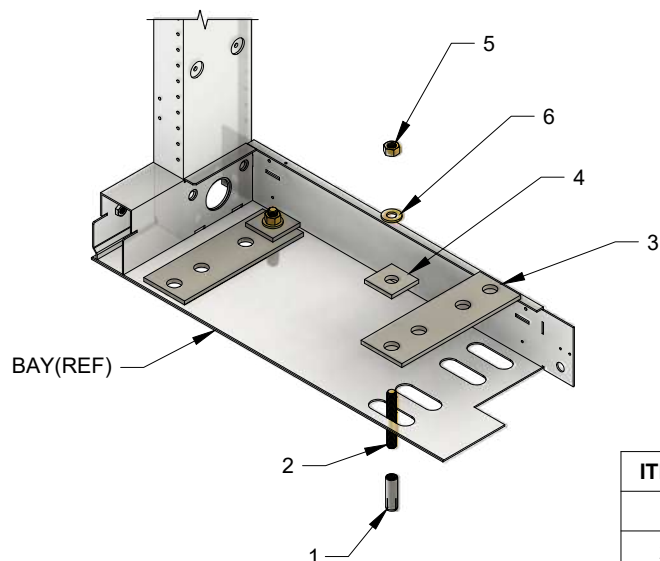
ITEM	DESCRIPTION	D	QW408EH
1	5" x 7.25" x 0.06" SHIM	0.06"	8
2	6.44" x 7.25" x 0.06" SHIM	0.06"	8
3	5" x 7.25" x 0.12" SHIM	0.12"	4
4	6.44" x 7.25" x 0.12" SHIM	0.12"	4
5	5" x 7.25" x 0.25" SHIM	0.25"	4
6	6.44" x 7.25" x 0.25" SHIM	0.25"	4

(04/27/23)



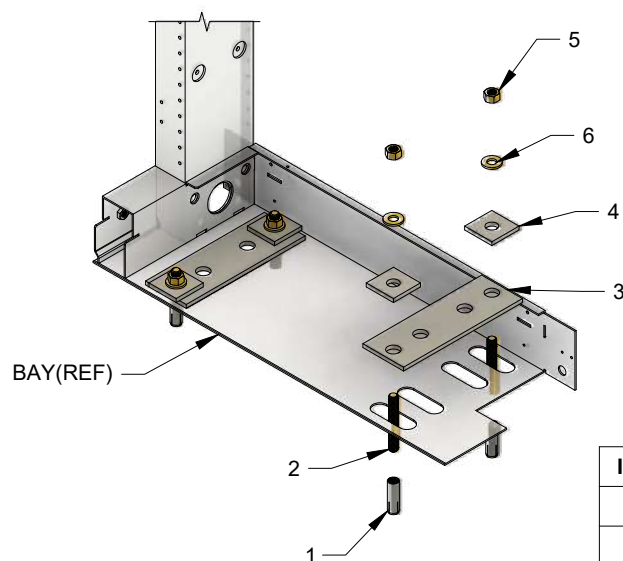
Moreng Telecom Products
973-237-2001
www.morengtel.com

FLOOR MOUNTING KITS FOR ZONE 2 NETWORK BAYS 1/2" DROP IN ANCHORS (2 PLACES)



ITEM	DESCRIPTION	R8M084-FGH
1	1/2" ANCHOR	2
2	1/2" x 3.25" STUD, ZY	2
3	HOLD DOWN PLATE	2
4	HOLD DOWN WASHER	2
5	1/2-13 HEX NUT, ZY G5	2
6	1/2" FLAT WASHER, ZY	2

FLOOR MOUNTING KITS FOR ZONE 2 NETWORK BAYS 1/2" DROP IN ANCHORS (4 PLACES)



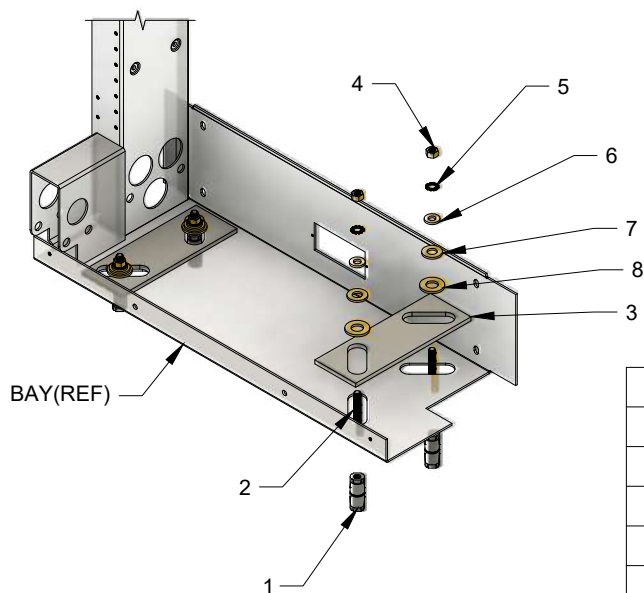
ITEM	DESCRIPTION	R8M084-FGH4
1	1/2" ANCHOR	4
2	1/2" x 3.25" STUD, ZY	4
3	HOLD DOWN PLATE	2
4	HOLD DOWN WASHER	4
5	1/2-13 HEX NUT, ZY G5	4
6	1/2" FLAT WASHER, ZY	4

(04/27/23)



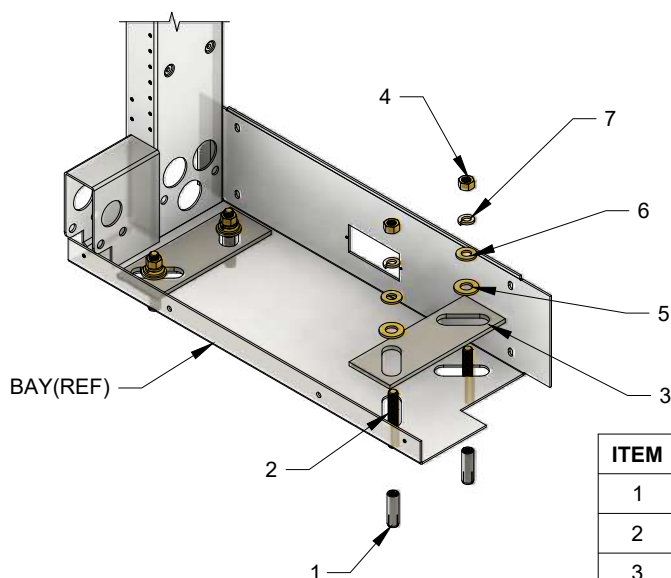
Moreng Telecom Products
973-237-2001
www.morengtel.com

FLOOR MOUNTING KIT ZONE 2 UEF BAYS (3/8" DOUBLE EXPANSION SHIELD)



ITEM	DESCRIPTION	R8-514K2-38
1	3/8-16 DOUBLE EXPANSION SHIELD	4
2	3/6-16" x 2.63" STUD, ZY	4
3	HOLD DOWN PLATE	2
4	3/8-16 HEX NUT, ZY G5	4
5	3/8" EXTERNAL TOOTH WASHER, ZY	4
6	3/8" FLAT WASHER, ZY	4
7	1/2" FLAT WASHER, ZY	4
8	5/8" FLAT WASHER, ZY	4

FLOOR MOUNTING KIT ZONE 2 UEF BAYS (1/2" DROP IN HILTI)



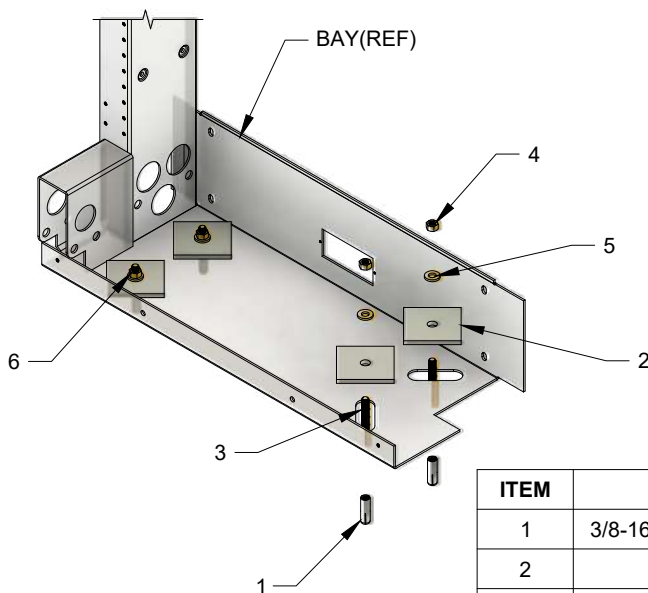
ITEM	DESCRIPTION	R8-514K2-50H
1	HILTI 1/2" ANCHOR	4
2	1/2" x 3.25" STUD, ZY	4
3	HOLD DOWN PLATE	2
4	1/2-13 HEX NUT, ZY G5	4
5	5/8" FLAT WASHER, ZY	4
6	1/2" FLAT WASHER, ZY	4
7	1/2" SPRING LOCK WASHER, ZY	4

(04/27/23)



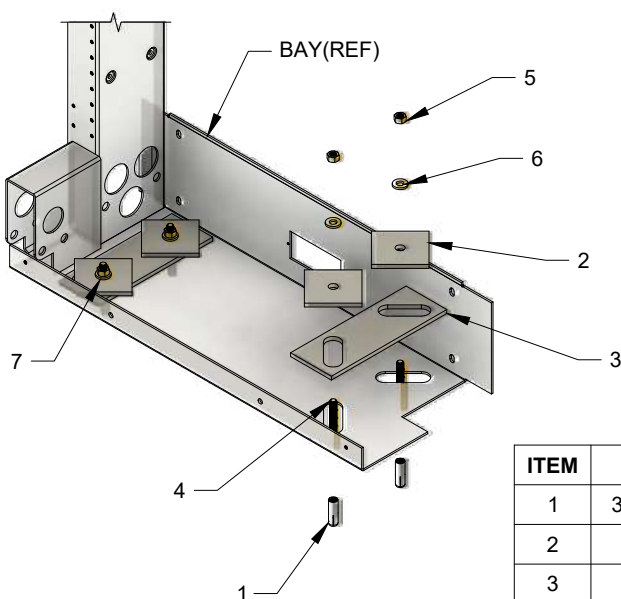
Moreng Telecom Products
973-237-2001
www.morengtel.com

FLOOR MOUNTING KITS FOR ZONE 2 UEF BAYS 3/8" DROP IN ANCHORS



ITEM	DESCRIPTION	SHR-3-003K4
1	3/8-16 DOUBLE EXPANSION SHIELD	4
2	HOLD DOWN WASHER	4
3	3/8-16 x 3" ROD, ZY G5	4
4	3/8-16 HEX NUT, ZY G5	4
5	3/8" FLAT WASHER, ZY	4
6	3/8" SPRING LOCK WASHER, ZY	4

FLOOR MOUNTING KITS FOR ZONE 2 UEF BAYS 3/8" DROP IN ANCHORS AND BASE PLATES



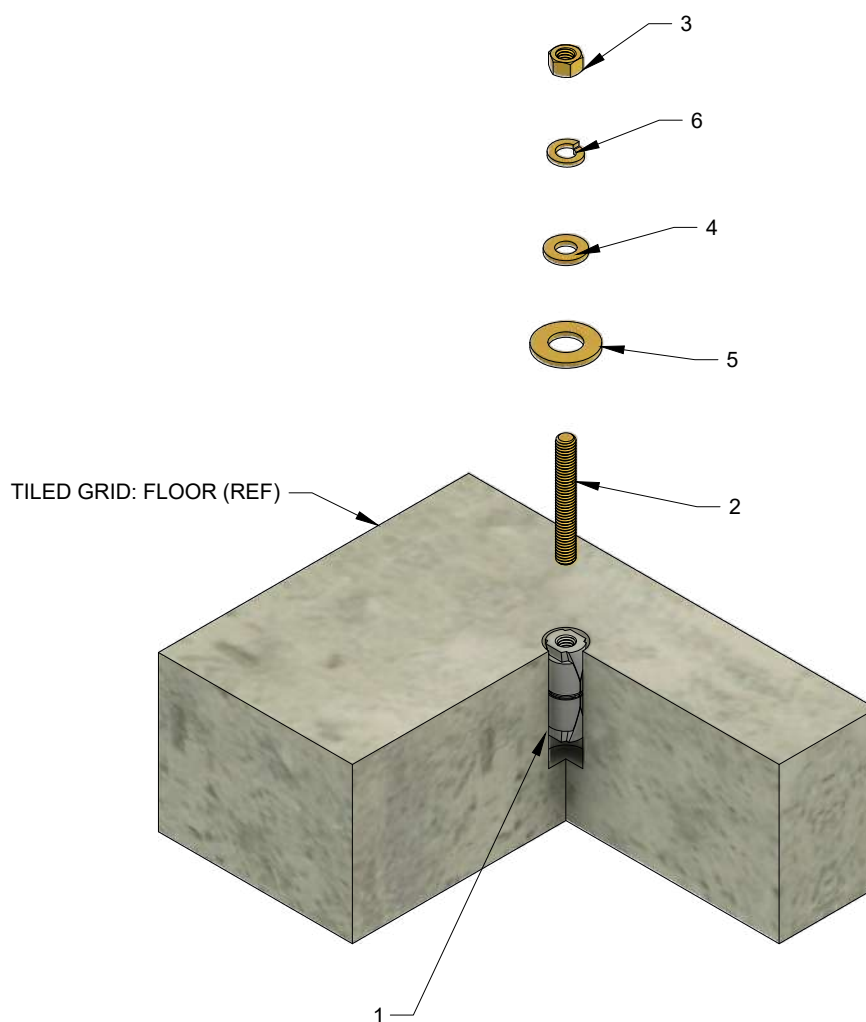
ITEM	DESCRIPTION	SHR-3-003K4P
1	3/8-16 DOUBLE EXPANSION SHIELD	4
2	HOLD DOWN WASHER	4
3	HOLD DOWN PLATE	2
4	3/8-16 x 3" ROD, ZY G5	4
5	3/8-16 HEX NUT, ZY G5	4
6	3/8" FLAT WASHER, ZY	4
7	3/8" SPRING LOCK WASHER, ZY	4

(04/27/23)



Moreng Telecom Products
973-237-2001
www.morengtel.com

MISC. FLOOR ANCHOR KITS (3/8" ANCHOR KIT)



ITEM	DESCRIPTION	FF-2	FF2-K4
1	3/8-16 DOUBLE EXPANSION SHIELD	1	4
2	3/8-16 x 2.63" STUD, ZY G5	1	4
3	3/8-16 HEX NUT, ZY G5	1	4
4	3/8" FLAT WASHER, ZY	1	4
5	5/8" FLAT WASHER, ZY	1	4
6	3/8" SPRING LOCK WASHER, ZY	1	4

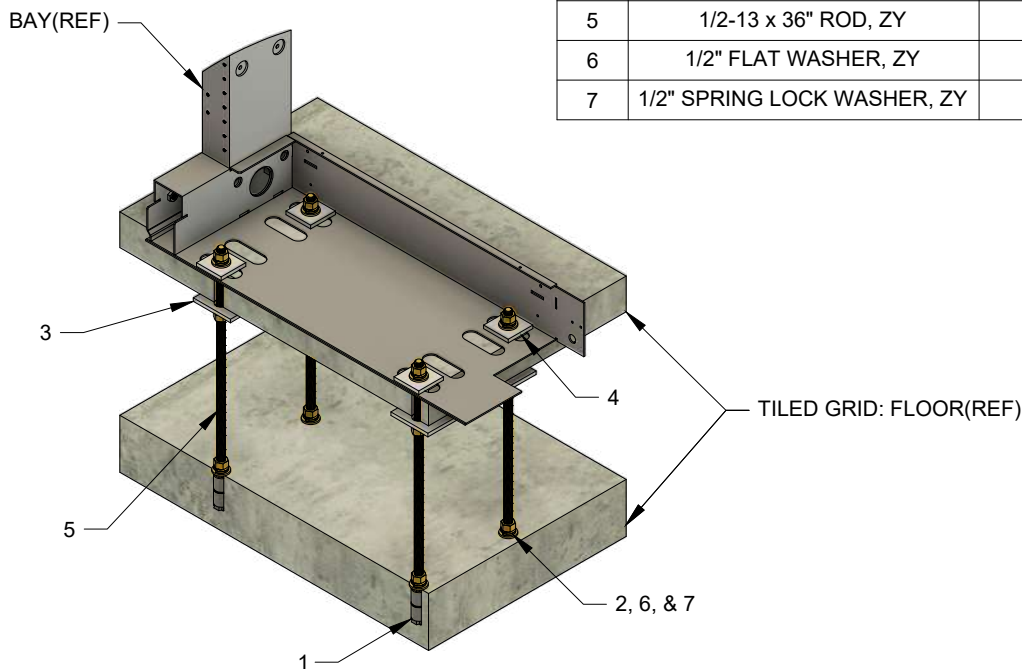
(04/27/23)



Moreng Telecom Products
973-237-2001
www.morengtel.com

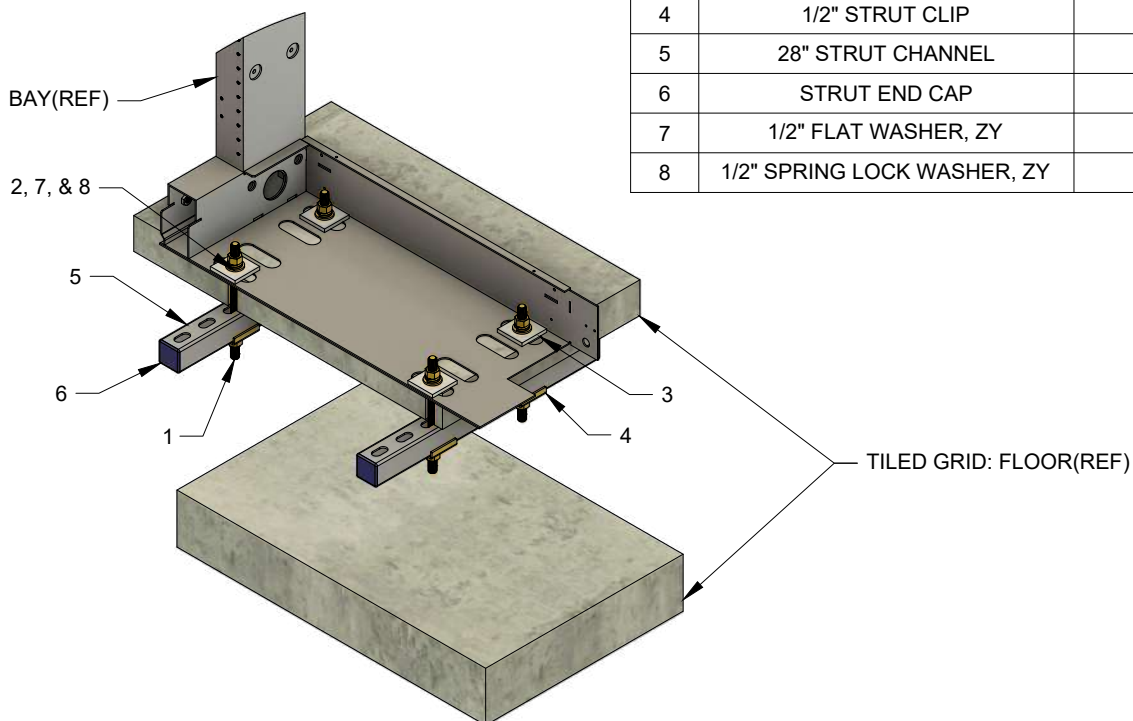
**RAISED FLOOR NETWORK BAY ANCHOR KIT INTEGRATED GROUND
(4 ANCHORS WITH HARDWARE)**

ITEM	DESCRIPTION	R8M-FR-101
1	1/2" HILTI ANCHOR	4
2	1/2-13 HEX NUT, ZY G5	12
3	HOLD DOWN PLATE	2
4	HOLD DOWN WASHER	4
5	1/2-13 x 36" ROD, ZY	4
6	1/2" FLAT WASHER, ZY	12
7	1/2" SPRING LOCK WASHER, ZY	12



**RAISED FLOOR NETWORK BAY ANCHOR KIT INTEGRATED GROUND
(2 STRUT CHANNELS WITH HARDWARE)**

ITEM	DESCRIPTION	R8M-FR-102
1	1/2-13 x 8" ROD, ZY	4
2	1/2-13 HEX NUT, ZY G5	8
3	HOLD DOWN WASHER	4
4	1/2" STRUT CLIP	4
5	28" STRUT CHANNEL	2
6	STRUT END CAP	4
7	1/2" FLAT WASHER, ZY	8
8	1/2" SPRING LOCK WASHER, ZY	8

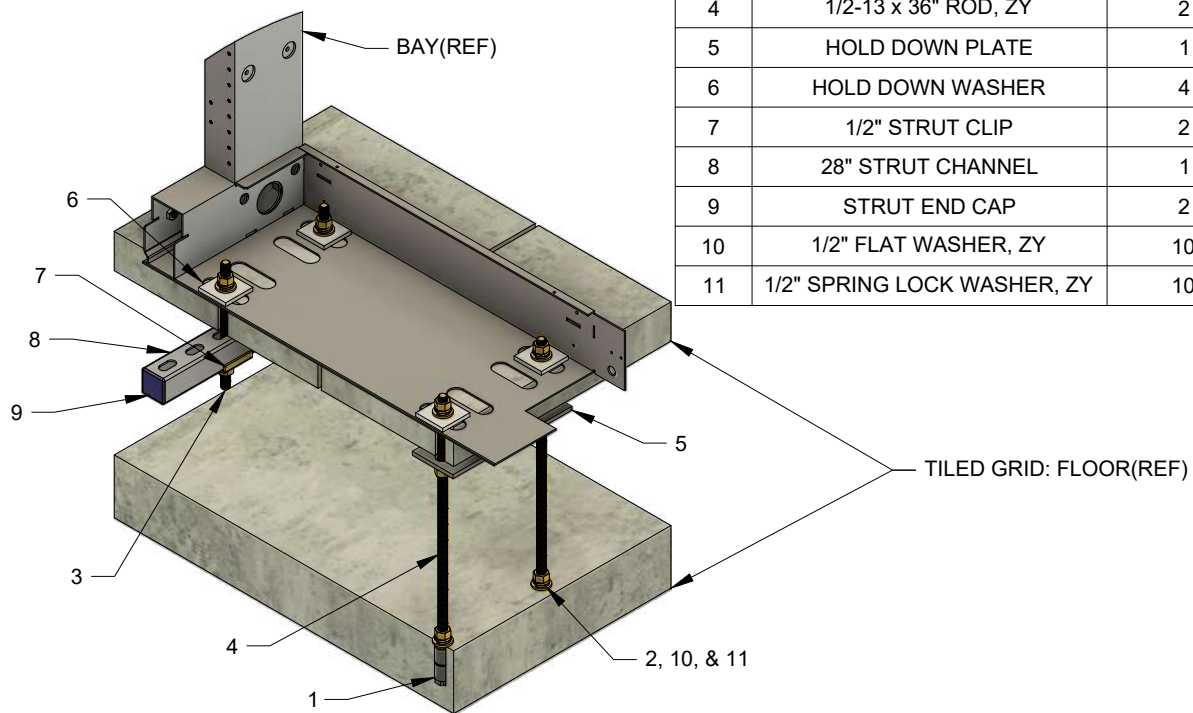


(04/27/23)

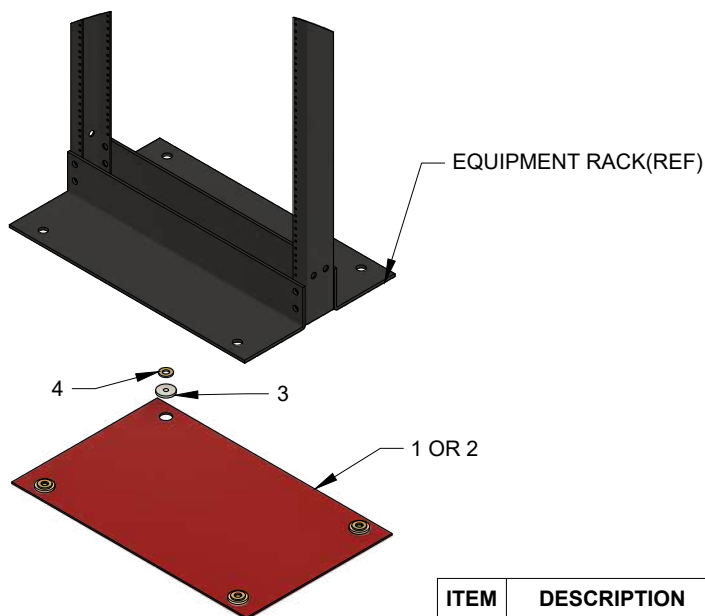


**RAISED FLOOR NETWORK BAY
ANCHOR KIT INTEGRATED GROUND
(2 ANCHORS, 1 STRUT CHANNEL
WITH HARDWARE)**

ITEM	DESCRIPTION	R8M-FR-103
1	1/2" HILTI ANCHOR	2
2	1/2-13 HEX NUT, ZY G5	10
3	1/2-13 x 8" ROD, ZY	2
4	1/2-13 x 36" ROD, ZY	2
5	HOLD DOWN PLATE	1
6	HOLD DOWN WASHER	4
7	1/2" STRUT CLIP	2
8	28" STRUT CHANNEL	1
9	STRUT END CAP	2
10	1/2" FLAT WASHER, ZY	10
11	1/2" SPRING LOCK WASHER, ZY	10



ISOLATION PAD KIT FOR 3" CHANNEL UPRIGHT TYPE EQUIPMENT RACKS

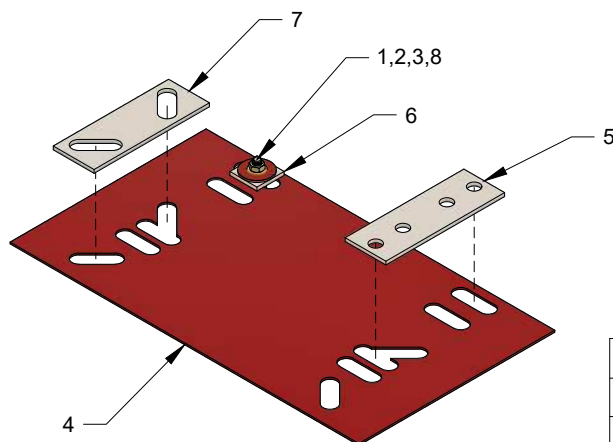


MATERIAL:

$\frac{1}{8}$ " INSULATING POLYESTER
FIBERGLASS(REDF) ASTM DD149 UL 94V-0

ITEM	DESCRIPTION	GP-RR-23K	GP-RR-19K
1	23" X 15" ISO PAD	1	
2	19" X 15" ISO PAD		1
3	PLASTIC WASHER	4	4
4	1/2" FLAT WASHER, ZY	4	4

UNIVERSAL ISO PAD KIT (23" X 15")



MATERIAL:

$\frac{1}{8}$ " INSULATING POLYESTER
FIBERGLASS(REDF) ASTM DD149 UL 94V-0

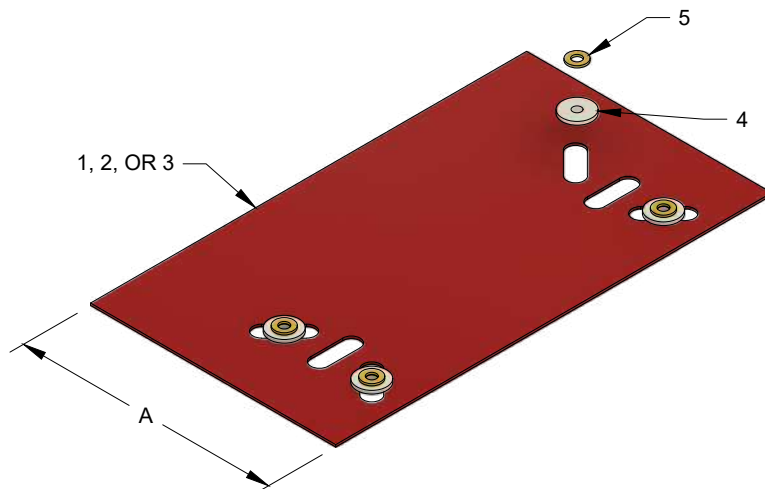
ITEM	DESCRIPTION	GP-2315UK
1	HILTI HSLB M12/25 ANCHOR	4
2	ISO BUSHING	4
3	ISO WASHER	4
4	UNIVERSAL ISO PAD, 23 X 15	1
5	HOLD DOWN PLATE, NETWORK BAYS	2
6	ANCHOR WASHER 7/8, ZC	8
7	HOLD DOWN PLATE, UEF BAYS	2
8	1/2" FLAT WASHER, ZY	4

(10/10/23)



Moreng Telecom Products
973-237-2001
www.morengtel.com

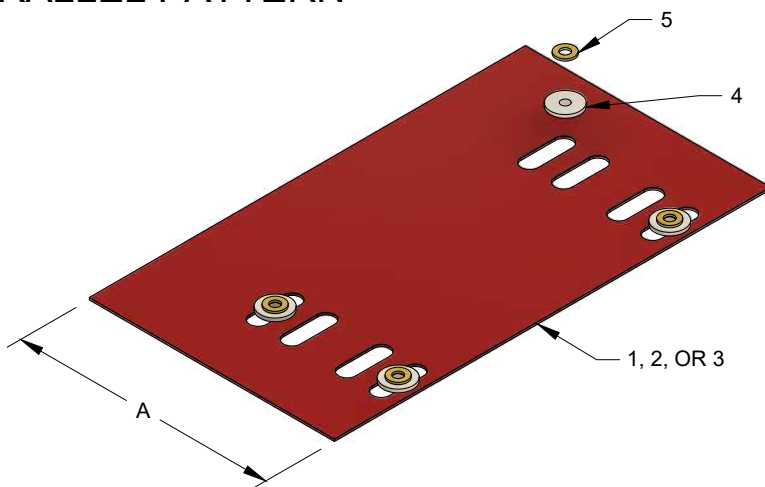
ISOLATION PAD KIT NEBS - DIAGONAL PATTERN



MATERIAL: RED FIBERGLASS

		A	9.44"	14.44"	17.44"
ITEM	DESCRIPTION	GP-4-23K	GP-4-2315K	GP-4-23J	
1	23" x 10" ISO PAD	1			
2	23" x 15" ISO PAD		1		
3	23" x 18" ISO PAD			1	
4	PLASTIC WASHER	4	4	4	
5	1/2" FLAT WASHER, ZY	4	4	4	

ISOLATION PAD KIT NEBS - PARALLEL PATTERN



MATERIAL: RED FIBERGLASS

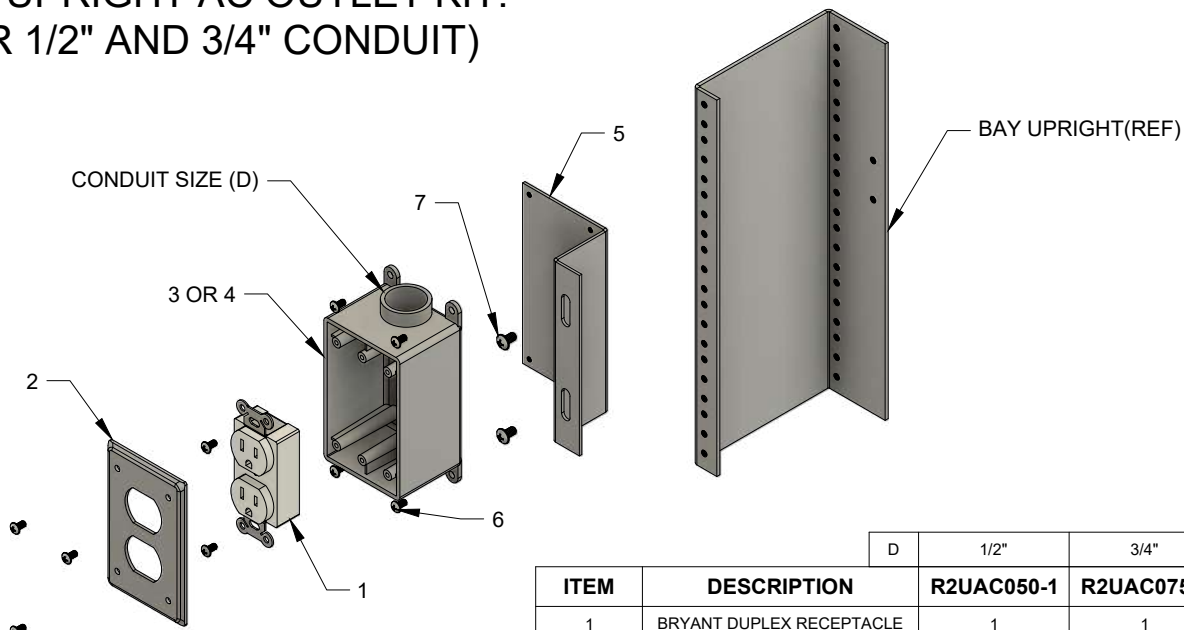
		A	9.44"	14.44"	17.44"
ITEM	DESCRIPTION	GP-8-23K	GP-8-2315K	GP-8-23J	
1	23" x 10" ISO PAD	1			
2	23" x 15" ISO PAD		1		
3	23" x 18" ISO PAD			1	
4	PLASTIC WASHER	4	4	4	
5	1/2" FLAT WASHER, ZY	4	4	4	

(04/27/23)



Moreng Telecom Products
973-237-2001
www.morengtel.com

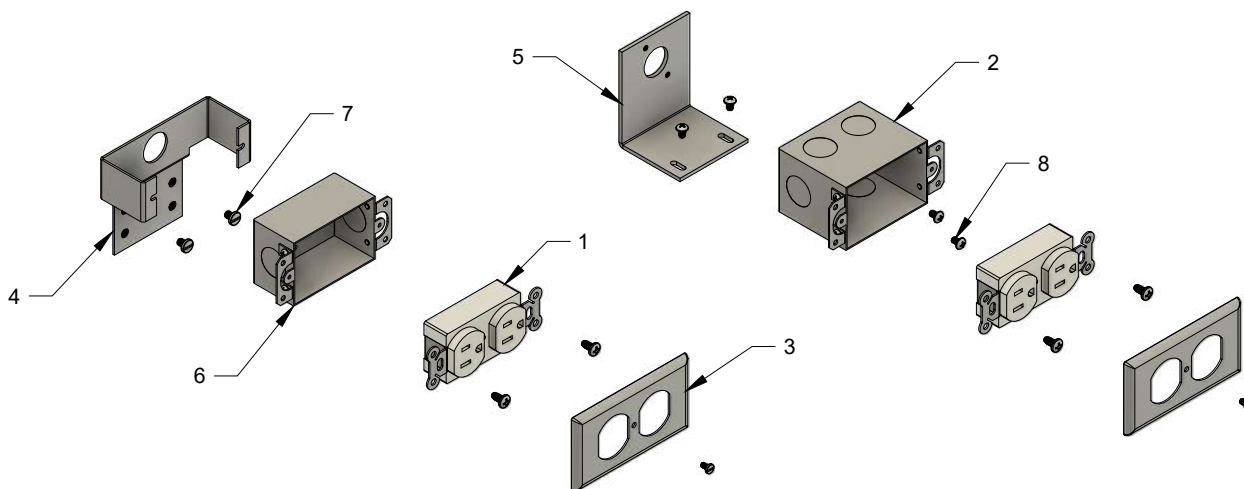
BAY UPRIGHT AC OUTLET KIT: (FOR 1/2" AND 3/4" CONDUIT)



		D	1/2"	3/4"
ITEM	DESCRIPTION	R2UAC050-1	R2UAC075-1	
1	BRYANT DUPLEX RECEPTACLE	1	1	
2	COVER FOR PVC A/C BOX	1	1	
3	1/2" PVC BOX FOR A/C	1		
4	3/4" PVC BOX FOR A/C			1
5	A/C BRACKET	1	1	
6	8-32 x 5/16" PHMS, ZY	4	4	
7	12/24 x 5/16" PHMS, ZC	2	2	

FRONT AND REAR OUTLET KIT (UNEQUAL FLANGE)

ITEM	DESCRIPTION	R4AG-ALC
1	BRYANT DUPLEX RECEPTACLE	2
2	2-1/2" DEEP SWITCH BOX	1
3	STAINLESS STEEL COVER	2
4	REAR A/C BRACKET	1
5	FRONT A/C BRACKET	1
6	1-1/2" DEEP SWITCH BOX	1
7	10-32 x 1/4" FHMS, ZC	2
8	10-32 x 3/8" PHSTMS, ZC	4



(07/01/24)



Moreng Telecom Products
973-237-2001
www.morengtel.com

SPACER BRACKET KIT

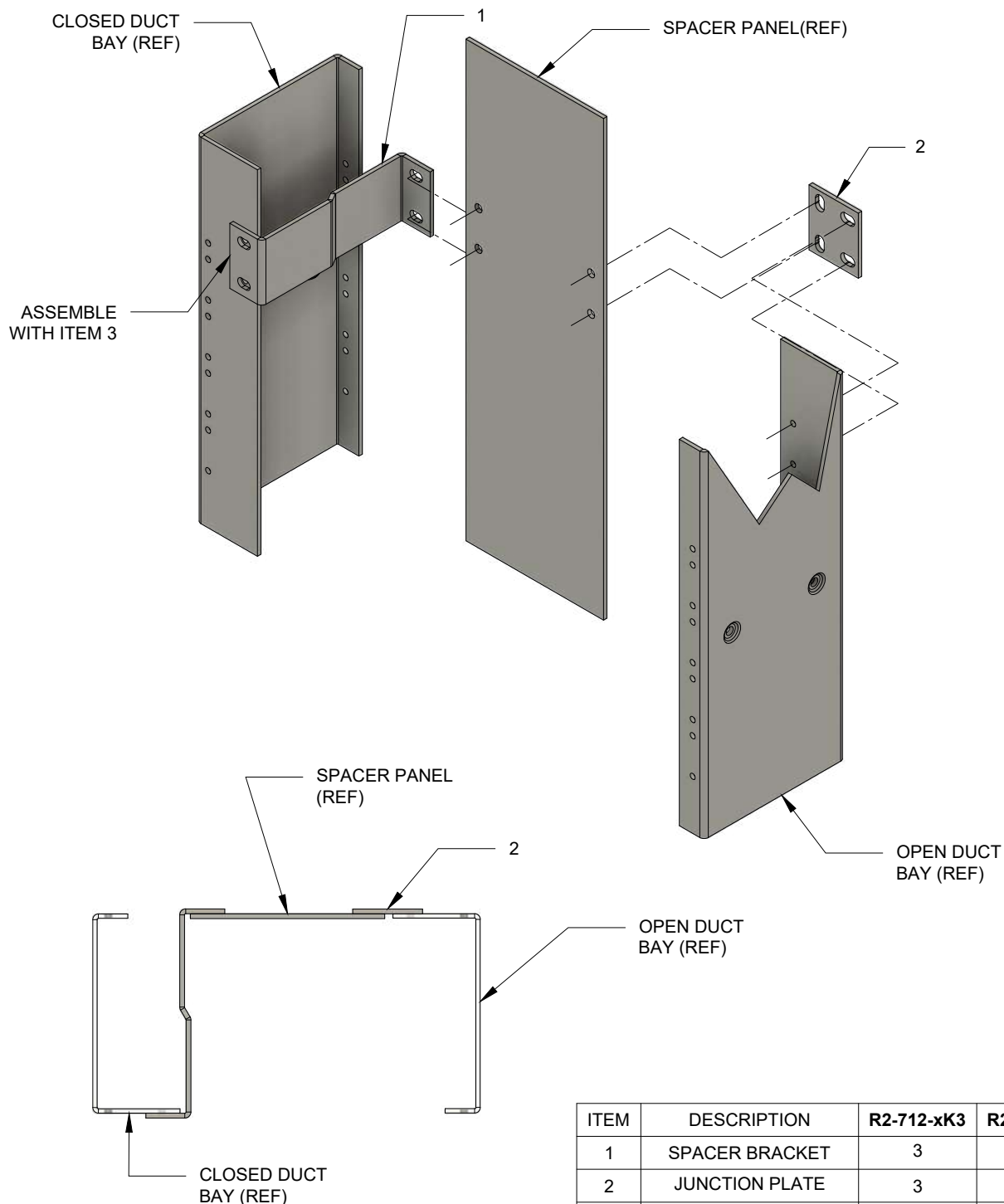
FOR ADAPTING UEF OR NETWORK BAY SPACER KIT TO MOUNT BETWEEN AN OPEN DUCT & A CLOSED DUCT BAY

MATERIAL: CARBON STEEL

FINISH OPTIONS:

- x = 1: MTP GRAY
- x = 3: NETWORK BLUE
- x = 4: OFF WHITE
- OTHER FINISHES AVAILABLE

ALL ASSEMBLY HARDWARE INCLUDED



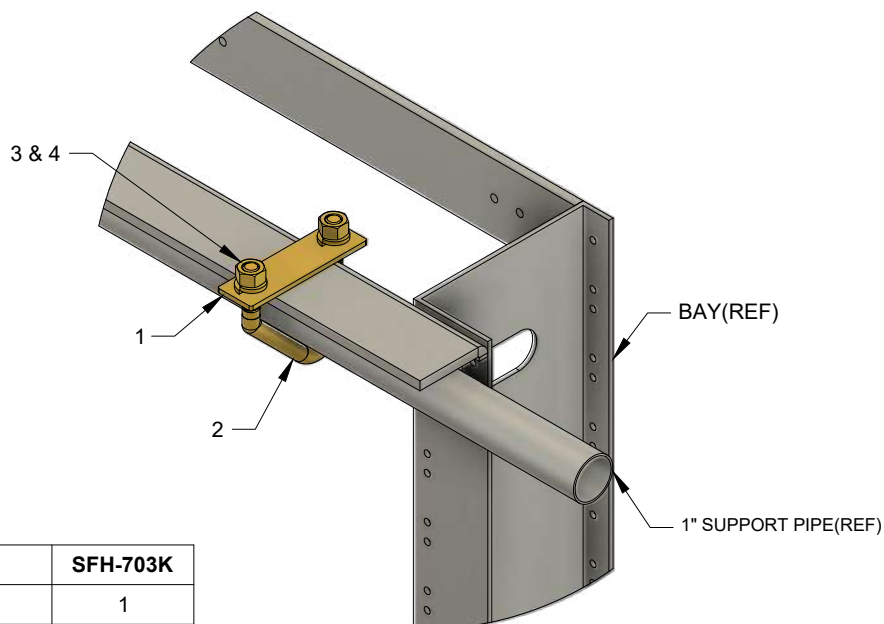
ITEM	DESCRIPTION	R2-712-xK3	R2-712-xK5
1	SPACER BRACKET	3	5
2	JUNCTION PLATE	3	5
3	12-24 x 5/16" PHMS, ZC	24	40

(07/01/24)



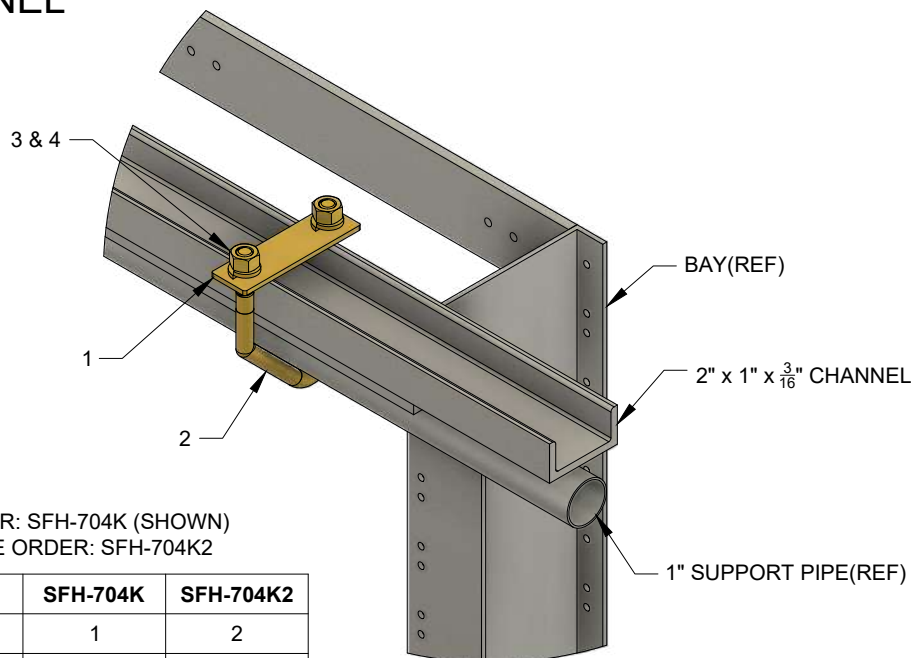
Moreng Telecom Products
 973-237-2001
 www.morengtel.com

CONNECTION OF 2" x 2" FRAME ANGLE TO 1" SUPPORT PIPE



ITEM	DESCRIPTION	SFH-703K
1	PLATE FOR V-BOLT	1
2	V-BOLT	1
3	3/8-16 HEX NUT, ZY G5	2
4	3/8" SPRING LOCK WASHER	2

CONNECTION OF 2" x 2" FRAME ANGLE TO 1" SUPPORT PIPE & 2" x 1" AUX CHANNEL



FOR AUX CHANNEL:
 -PARALLEL TO LINE ORDER: SFH-704K (SHOWN)
 -PERPENDICULAR TO LINE ORDER: SFH-704K2

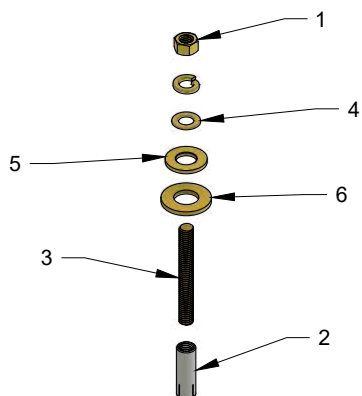
ITEM	DESCRIPTION	SFH-704K	SFH-704K2
1	PLATE FOR V-BOLT	1	2
2	3/8" x 4" V-BOLT	1	2
3	3/8-16 HEX NUT, ZY G5	2	4
4	3/8" SPRING LOCK WASHER	2	4

(04/27/23)



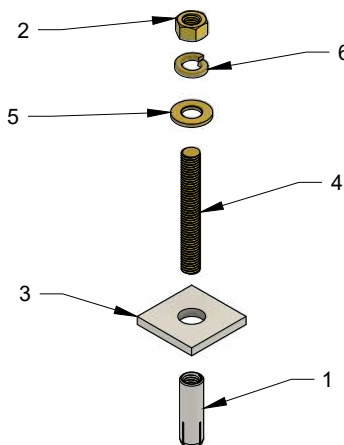
Moreng Telecom Products
 973-237-2001
www.morengtel.com

3/8-16 HOLD DOWN ANCHOR KIT



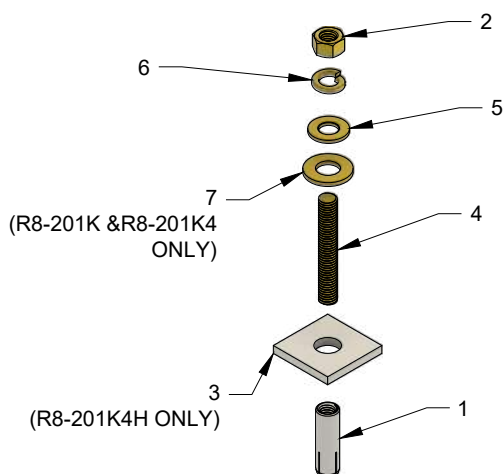
ITEM	DESCRIPTION	R4M037H
1	3/8-16 HEX NUT, ZY G5	4
2	3/8" ANCHOR	4
3	3/8-16 X 3" ROD, ZY	4
4	3/8" FLAT WASHER, ZY	4
5	1/2" FLAT WASHER, ZY	4
6	5/8" FLAT WASHER, ZY	4
7	3/8" LOCK WASHER, ZY	4

FLOOR ANCHOR HARDWARE KITS (FOR UEF FRAMES)



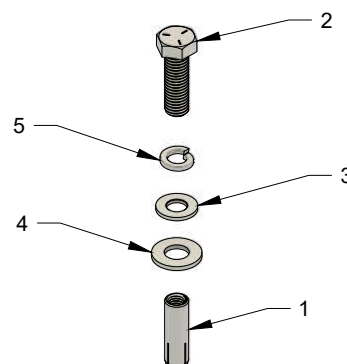
ITEM	DESCRIPTION	R4M050H	R4M050H4
1	HILTI 1/2" ANCHOR	2	4
2	1/2-13 HEX NUT, ZY G5	2	4
3	HOLD DOWN WASHER	2	4
4	1/2-13 X 3-3/4" ROD, ZY	2	4
5	1/2" FLAT WASHER, ZY	2	4
6	1/2" LOCK WASHER, ZY	2	4

1/2-13 HOLD DOWN ANCHOR KIT WITH STUDS



ITEM	DESCRIPTION	R8-201K	R8-201K4	R8-201K4H
1	HILTI 1/2" ANCHOR	1	4	4
2	1/2-13 HEX NUT, ZY G5	1	4	4
3	HOLD DOWN WASHER			4
4	1/2-13 X 3-1/4" ROD, ZY	1	4	4
5	1/2" FLAT WASHER, ZY	1	4	4
6	1/2" LOCK WASHER, ZY	1	4	4
7	5/8" FLAT WASHER, ZY	1	4	

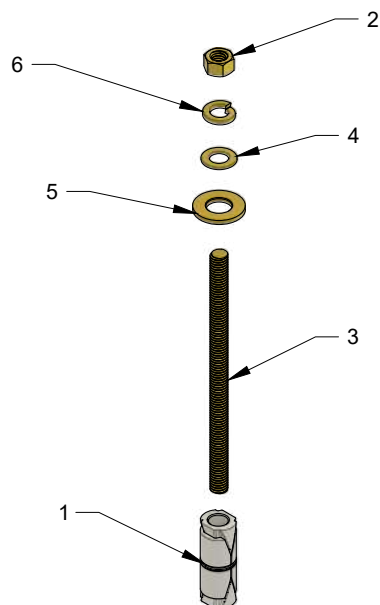
1/2-13 HOLD DOWN ANCHOR KIT WITH HEX HEAD BOLTS



ITEM	DESCRIPTION	R8M-FA
1	HILTI 1/2" ANCHOR	4
2	1/2-13 X 2" HEX HEAD BOLT	4
3	1/2" FLAT WASHER, ZC	4
4	5/8" FLAT WASHER, ZC	4
5	1/2" LOCK WASHER, ZC	4

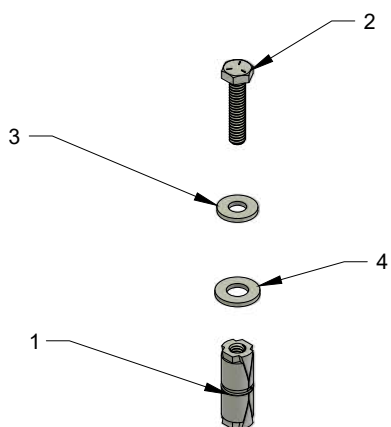


3/8-16 FLOOR MOUNTING KIT 6"



ITEM	DESCRIPTION	SHR-3-006K4N
1	3/8-16 EXPANSION SHIELD	2
2	3/8-16 HEX NUT, ZY G5	2
3	3/8-16 X 6" ROD, ZY	2
4	3/8" FLAT WASHER, ZY	2
5	1/2" FLAT WASHER, ZY	2
6	1/2" LOCK WASHER, ZY	2

1/4-20 ANCHOR KIT



ITEM	DESCRIPTION	SDE02520K2
1	1/4-20 EXPANSION SHIELD	2
2	1/4-20 X 1-1/4" HEX HEAD BOLT	2
3	1/4" FLAT WASHER, ZY	2
4	5/16" FLAT WASHER, ZY	2

(02/16/24)



Moreng Telecom Products
973-237-2001
www.morengtel.com

FIBER DISTRIBUTION FRAMES AND FIBER MANAGEMENT



PDF AVAILABLE KITS

Part #	Description	Page
	Complete Bay Kits	
R8LG084R-3	Fully populated 12" deep bay - FOT	8-4
R8LG084R15-3	Fully populated 15" deep bay - FOT	8-6
R8LG084A-3	Fully populated 12" deep bay -OSP	8-8
R8LG084A15-3	Fully populated 15" deep bay - OSP	8-9
R8LG084R-3A	Fully populated 12" deep bay - FOT(Shop Assembled)	8-38
R8LG084R15-3A	Fully populated 15" deep bay - FOT(Shop Assembled)	8-40
R7LG084R-3	Fully populated 12" deep bay - FOT -Seismic	8-11
R7LG084R15-3	Fully populated 15" deep bay - FOT -Seismic	8-13
R7LG084A-3	Fully populated 12" deep bay -OSP -Seismic	8-15
R7LG084A15-3	Fully populated 15" deep bay - OSP -Seismic	8-16
	Bay Extenders	
R8R024232-3	Extender, Bay (23 x 24") Blue	8-27
R8R054232-3	Extender, Bay (23 x 54") Blue	8-27
R7R024230-3	Extender, Seismic Bay (23 x 24") Blue	8-28
R7R054230-3	Extender, Seismic Bay (23 x 54") Blue	8-28
	End Guards, End Covers & Doors	
R8LG084EG - R8LG138EG	FDF End Guard (12")	8-19
R8LG084EG15 - R8LG138EG15	FDF End Guard (15")	8-19
R8LG084EC - R8LG138EC	FDF End Cover (12")	8-20
R8LG084EC15 - R8LG138EC15	FDF End Cover (15")	8-20
R8LG084DD	FDF Rear Door Kit	8-21
	Jumper Rings	
LGX-109 / LGX-209	Jumper Ring w/ hardware	8-18
	Bracket Kits	
LGX-101K	One Ca Ret Brkt w/ hardware for 12" deep bay	8-22
LGX-102K	One Duct Brkt w/ hardware for 15" deep bay	8-24
LGX-103K	One Ca Ret Brkt w/ hardware for 15" deep bay	8-22
LGX-202EX3K	One 3" Ext Duct Brkt w/ hardware for 12" deep bay	8-23
LGX-202K	One Duct Brkt w/ hardware for 12" deep bay	8-24
LGX-203K	Cable Retainer Brkt Kit (Rear)	8-26
	Trough & Spacer Kits	
LGX-905K / LGX-907K	Bay Trough Kits	8-25 / 26
R8CTX	Cross Aisle Troughs	8-29
	Fiber Management	8-31
FPS-602/FPS-604/FPS-608	Verticle 90 Degree Turn	8-32
FPS-704D	Transition to Plastic Fiber Guide	8-33
FPS-801/FPS-802/FPS-821/FPS-822	Fiber Transition Assembly	8-34
R4FP08405R/R4FP10805R/R4FP13805R	UEF Bay Spacers	8-35
R8FP08405R/R8FP10805R/R8FP13805R	Network Bay Spacers	8-36
QW1305/QW1306	Fiber Optic Storage Kit	8-37



LIGHT GUIDE - FIBER DISTRIBUTION FRAMES

R8LG084R-3 (12'') & R8LG084R15-3 (15'') SERIES (SEISMIC ZONE 2)

R7LG084R-3 (12'') & R7LG084R15-3 (15'') SERIES (SEISMIC ZONE 4)

- **FD F Fiber Distribution Frame**

FD F Frames: Includes the Network Bay and is furnished with horizontal troughs and vertical ducts for lightguide/fiber cables. The nominal size of each Lightguide frame is 7-0 H, 26'' W, and depth of 12'' or 15''. The 15'' depth is designed for use in areas with high cabling requirements and/or with high density shelves.

Bay kits are available in FOT (fiber optic termination) or OSP (outside plant) configurations.

Bay kits are available for seismic zone 2 (R8LG Series) or for seismic zone 4 (R7LG Series)

FD F frames may be installed in 9-0 and 11-6 office environments using the standard 7-0 FD F bay with either a 24'' or 54'' extender.

- **Optional Accessories**

Jumper Retaining Brackets: mount on the front flanges of the frame and form a vertical cable duct. The single jumper retaining brackets (LGX-109) are reversible and can be mounted on either side of the frame. The single bracket (LGX-109) is to be installed on the frame flange at the end of a lineup or when adjacent to the end guard. The double bracket (LGX-209) is two sided and mounts on the front flanges of adjacent frames to form a double wide vertical cable duct.

Ordering information: LGX-109 single brackets are to be ordered for the ends of each line-up and when adjacent to end guard positions. LGX-209 double brackets are to be ordered for each adjacent frame. When single brackets exist in the line-up, they should be relocated to the end of the line-up or to the end guard location.

An additional vertical cable duct is constructed on each side of the frame using sidewalls, mounting brackets and support panels. The support panels provide stability to the duct structure and form part of the rear frame guard.

Rear Door Assembly: (R8LG084DD) Available to provide protection and security for the rear area of the frame and mounts on the existing back plane of the R8LG framework.

FD F End Guards: End Guards provide light switch, alarm, and a/c positions at the end of either 12'' or 15'' frame line-ups. Standard End Guard kits are 7' - 0'' high, but are also available for 9'-0 and 11'-6 environments.

FD F End Covers: The end covers are used where an end guard is not required or if there is limited space at the end of the line-up. Standard End Cover kits are 7' - 0'' high, but are also available for 9'-0 and 11'-6 environments.



LIGHT GUIDE - FIBER DISTRIBUTION FRAMES

R8LG084R-3 (12") & R8LG084R15-3 (15") SERIES (SEISMIC ZONE 2)

R7LG084R-3 (12") & R7LG084R15-3 (15") SERIES (SEISMIC ZONE 4)

- **Cross Aisle Troughs and In-Line Bridges**

Cross Aisle Trough Kits: Provide for a protected lightguide/fiber cross aisle jumper raceway between front facing FDF frame lineups. Rear aisle trough assemblies are available for use in multiple lineup environments. Cross Aisle Troughs are available in 5" or 10" widths.

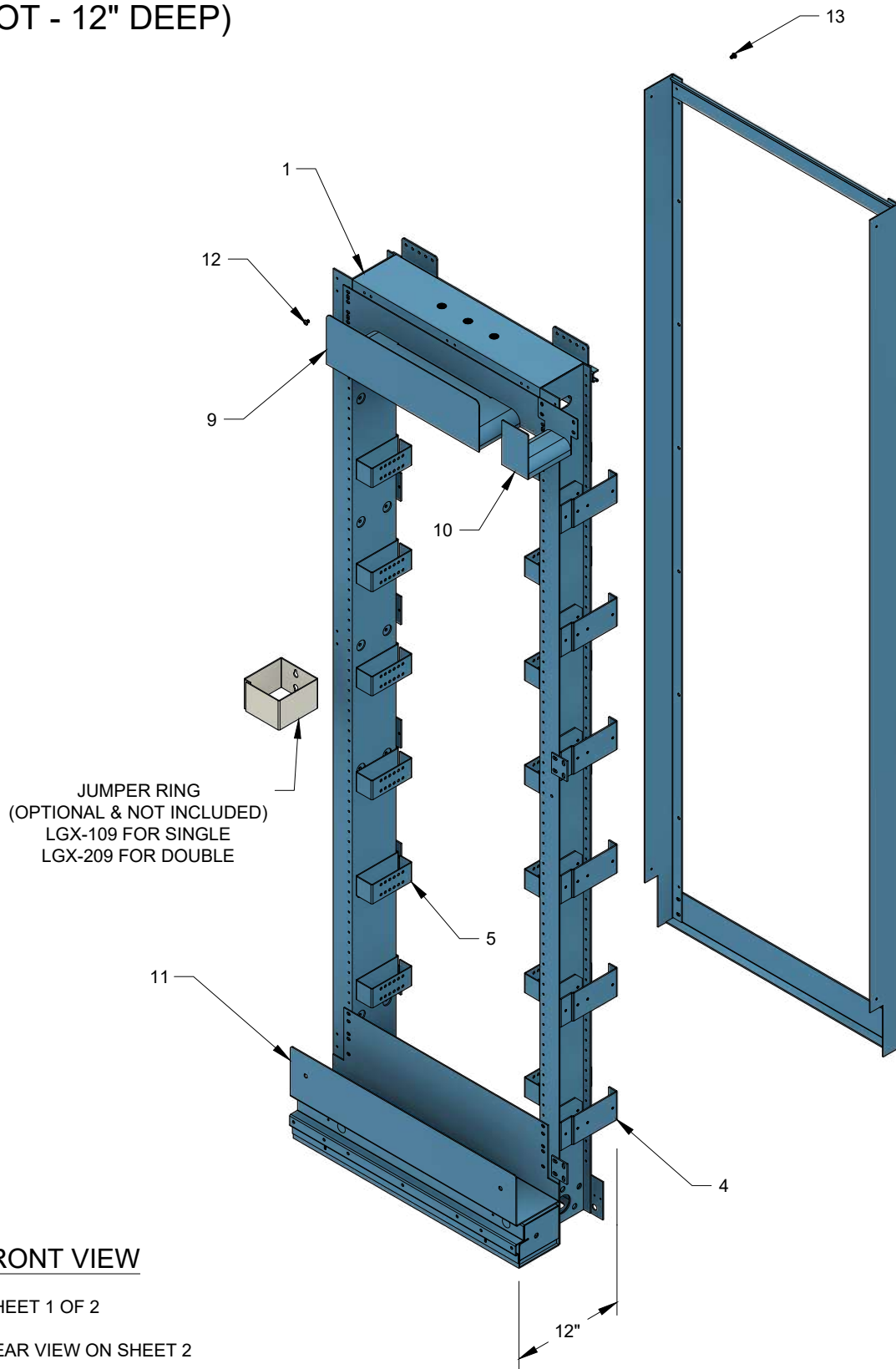
The nominal cross-section area of the upper and lower horizontal jumper troughs is approximately 50 sq. in.

In Line Bridges: Provide for a protected lightguide/fiber jumper raceway between two bays in the same line-up spanning a space which will not accommodate a FDF bay. These bridges may also be needed to span a "walk through" aisle equipped with FDF End Guards.

Please contact us for more information.



FIBER DISTRIBUTION BAYS (FOT - 12" DEEP)



FRONT VIEW

SHEET 1 OF 2

REAR VIEW ON SHEET 2

ITEM LIST ON SHEET 2

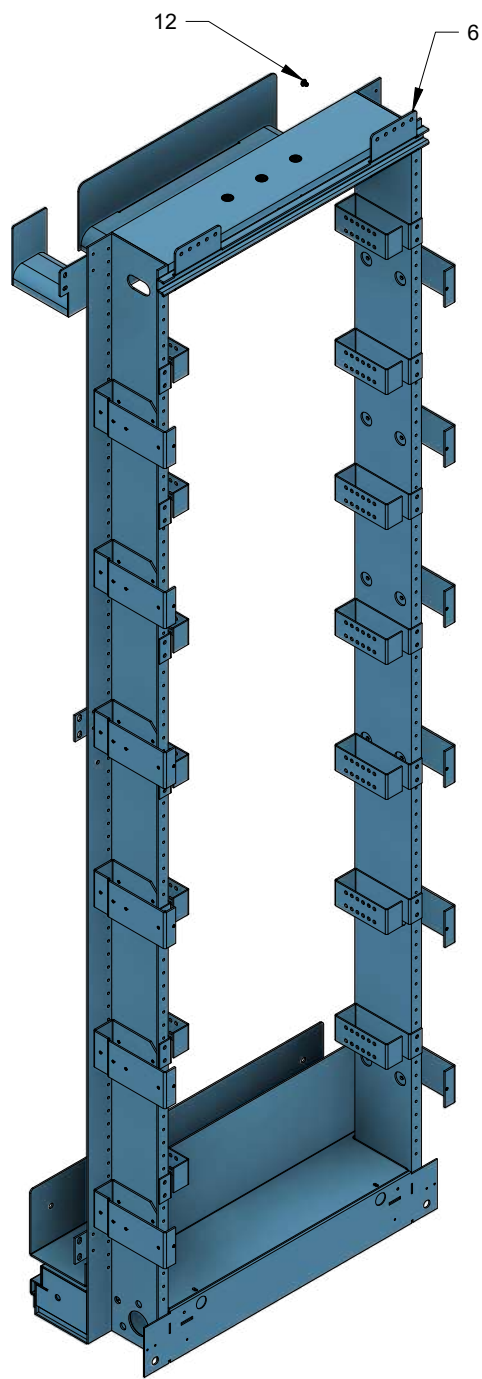
R8LG084R-3

(04/27/23)

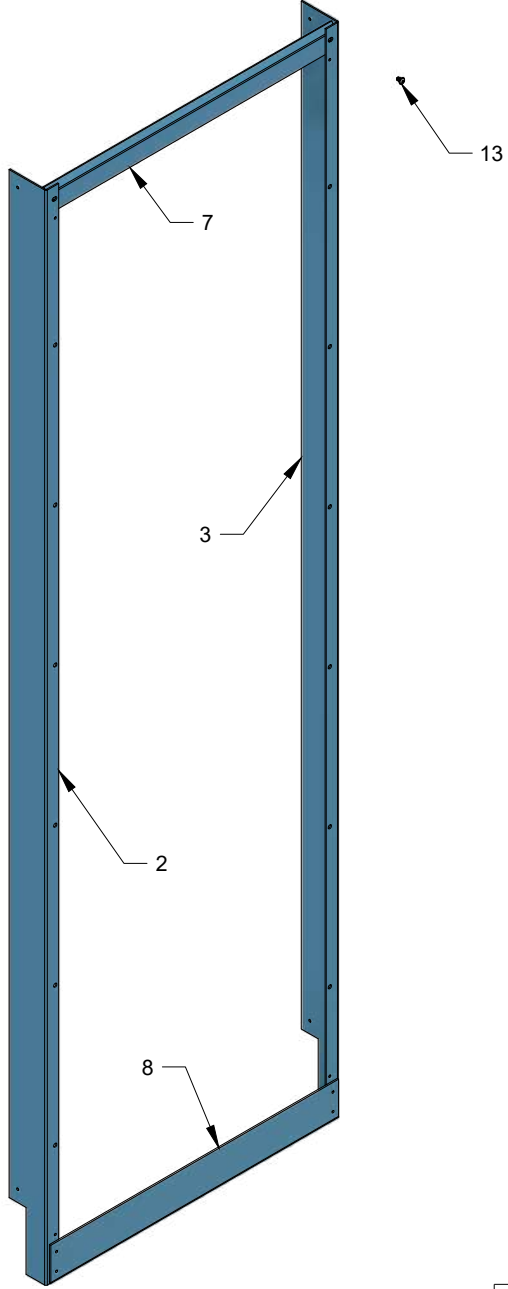


Moreng Telecom Products
973-237-2001
www.morengtel.com

FIBER DISTRIBUTION BAYS (FOT - 12" DEEP)



ITEM	DESCRIPTION	R8LG084R-3
1	NETWORK BAY KIT, SEE 5-04	1
2	LEFT UPRIGHT	1
3	RIGHT UPRIGHT	1
4	12" BRACKET	14
5	12" BRACKET	12
6	CABLE TIE BAR(SEISMIC)	1
7	TOP PLATE	1
8	BOTTOM PLATE	1
9	UPPER TROUGH	1
10	JUMP SUPPORT BRACKET	1
11	LOWER TROUGH	1
12	12-24 x 5/16" PHMS, ZC	94
13	12-24 x 3/8" PHMS, ZC	12



REAR VIEW

SHEET 2 OF 2

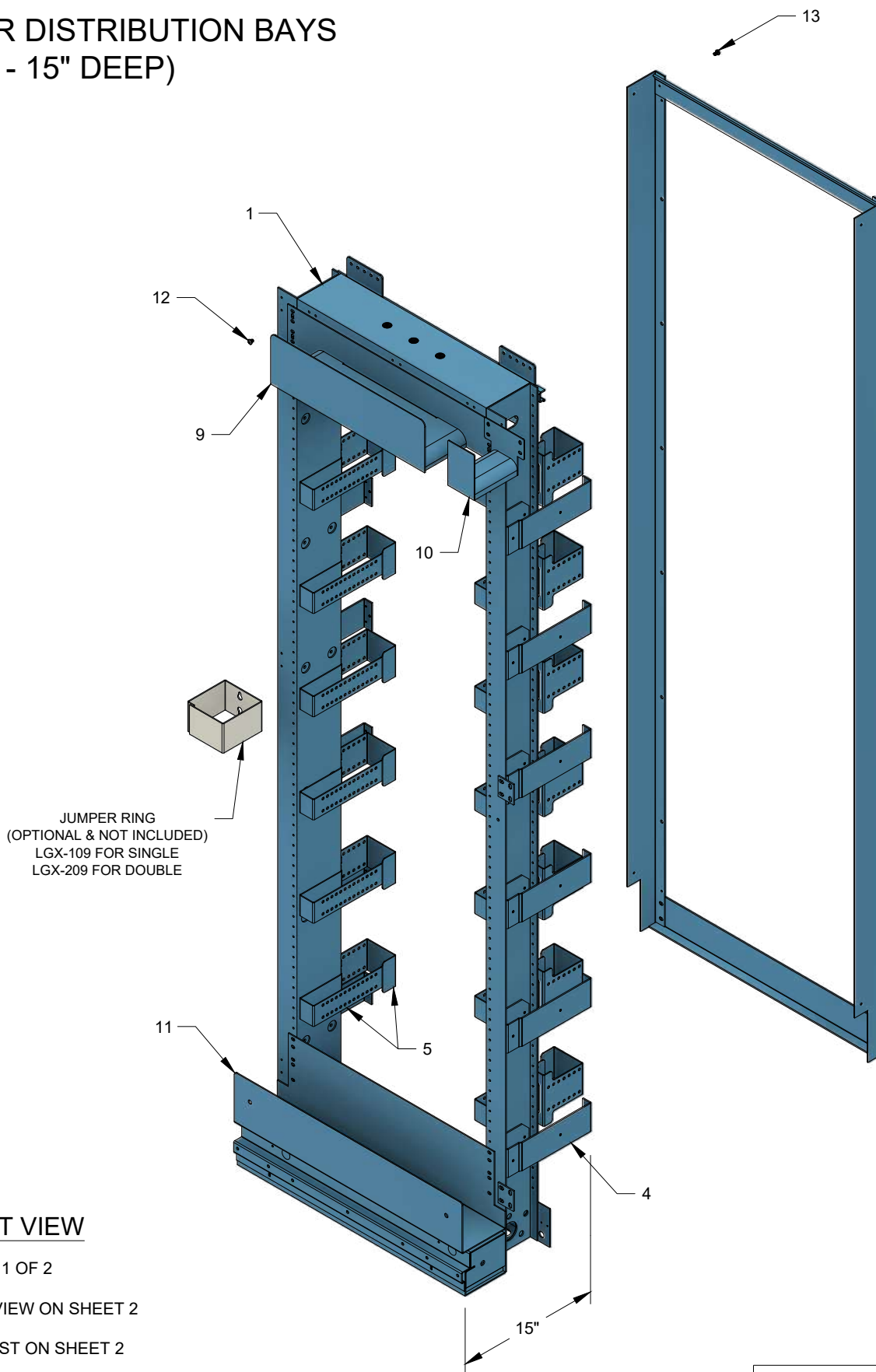
R8LG084R-3

(04/27/23)



Moreng Telecom Products
973-237-2001
www.morengtel.com

FIBER DISTRIBUTION BAYS (FOT - 15" DEEP)



FRONT VIEW

SHEET 1 OF 2

REAR VIEW ON SHEET 2

ITEM LIST ON SHEET 2

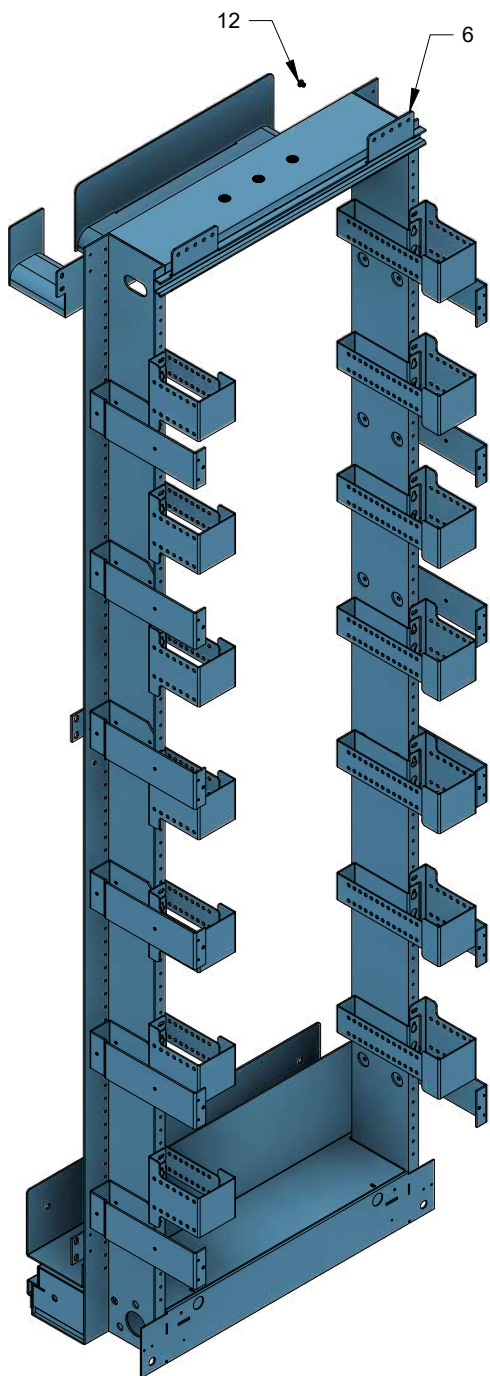
R8LG084R15-3

(04/27/23)

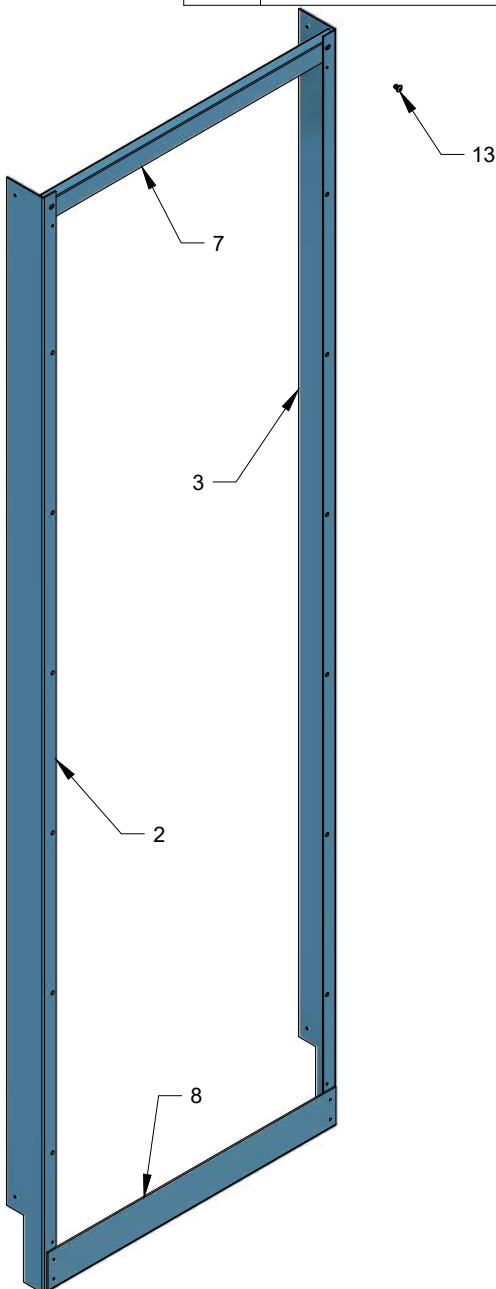


Moreng Telecom Products
973-237-2001
www.morengtel.com

FIBER DISTRIBUTION BAYS (FOT - 15" DEEP)



ITEM	DESCRIPTION	R8LG084R15-3
1	NETWORK BAY KIT, SEE 5-04	1
2	LEFT UPRIGHT	1
3	RIGHT UPRIGHT	1
4	15" BRACKET	14
5	15" BRACKET KIT	12
6	CABLE TIE BAR(SEISMIC)	1
7	TOP PLATE	1
8	BOTTOM PLATE	1
9	UPPER TROUGH	1
10	JUMP SUPPORT BRACKET	1
11	LOWER TROUGH	1
12	12-24 x 5/16" PHMS, ZC	72
13	12-24 x 3/8" PHMS, ZC	7



REAR VIEW

SHEET 2 OF 2

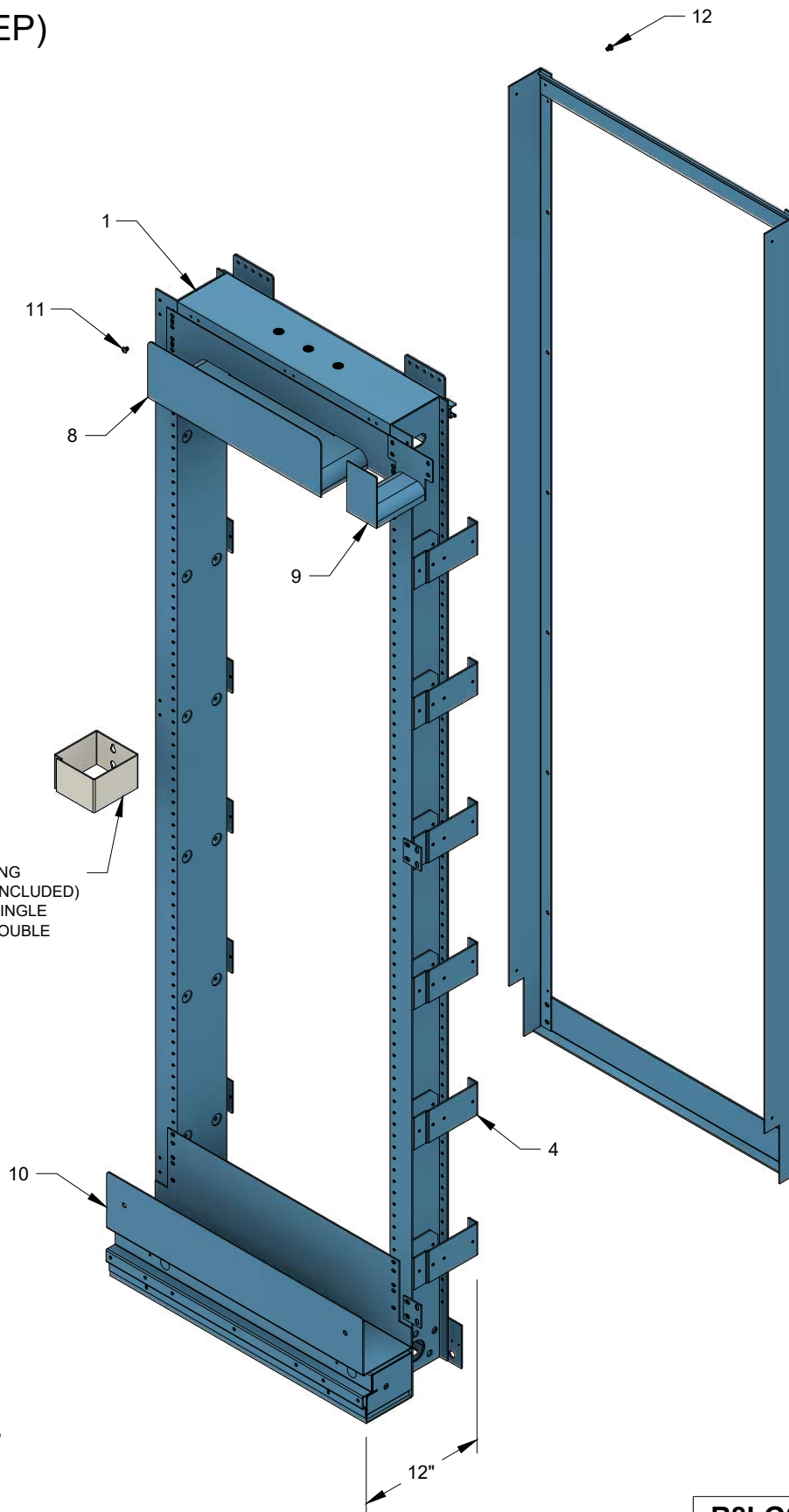
R8LG084R15-3

(04/27/23)



Moreng Telecom Products
973-237-2001
www.morengtel.com

FIBER DISTRIBUTION BAYS (OSP - 12" DEEP)



JUMPER RING
(OPTIONAL & NOT INCLUDED)
LGX-109 FOR SINGLE
LGX-209 FOR DOUBLE

FRONT VIEW

SHEET 1 OF 3

REAR VIEW ON SHEET 3

ITEM LIST ON SHEET 3

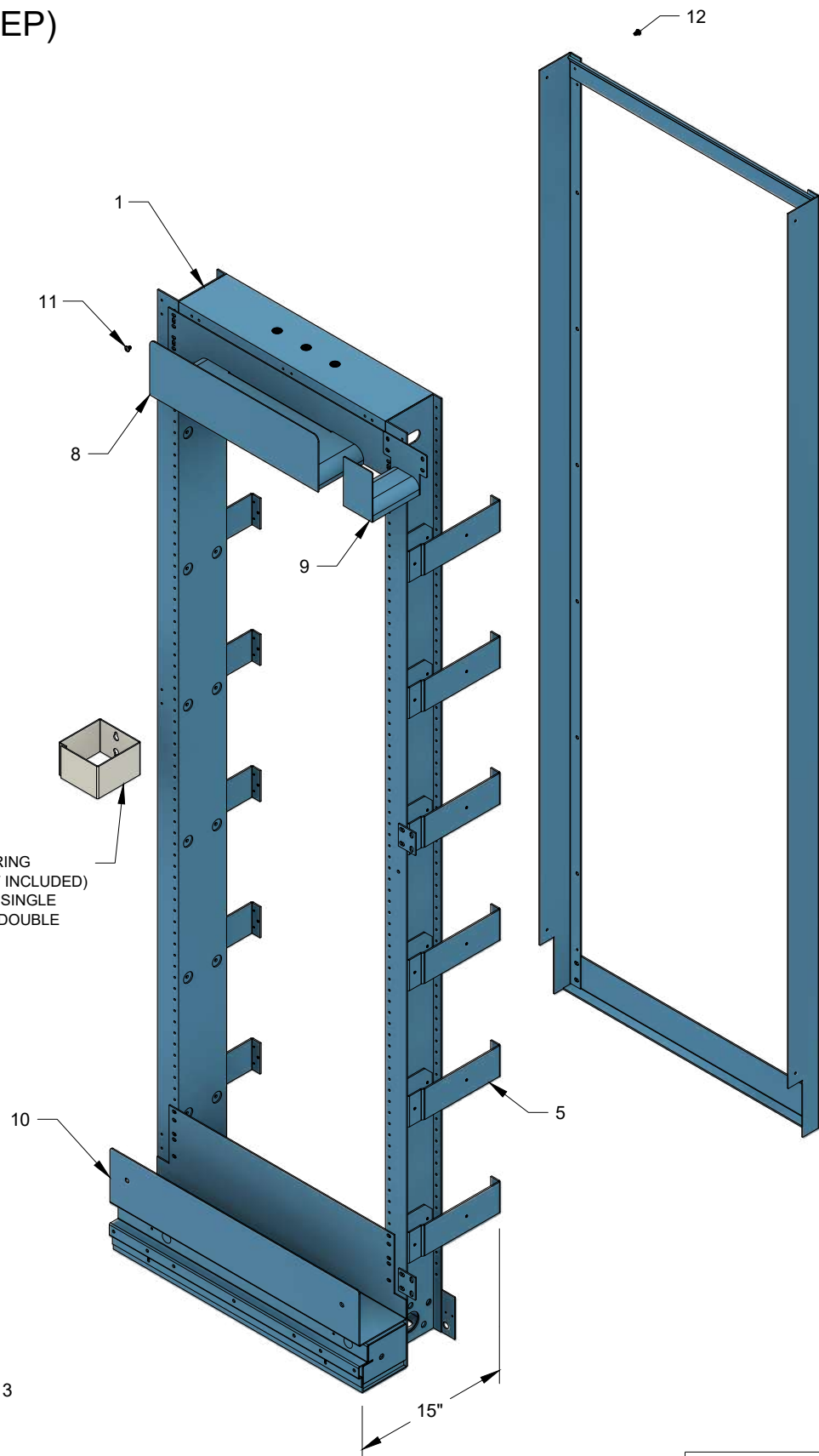
R8LG084A-3

(04/27/23)



Moreng Telecom Products
973-237-2001
www.morengtel.com

FIBER DISTRIBUTION BAYS (OSP - 15" DEEP)



JUMPER RING
(OPTIONAL & NOT INCLUDED)
LGX-109 FOR SINGLE
LGX-209 FOR DOUBLE

FRONT VIEW

SHEET 2 OF 3

REAR VIEW ON SHEET 3

ITEM LIST ON SHEET 3

R8LG084A15-3

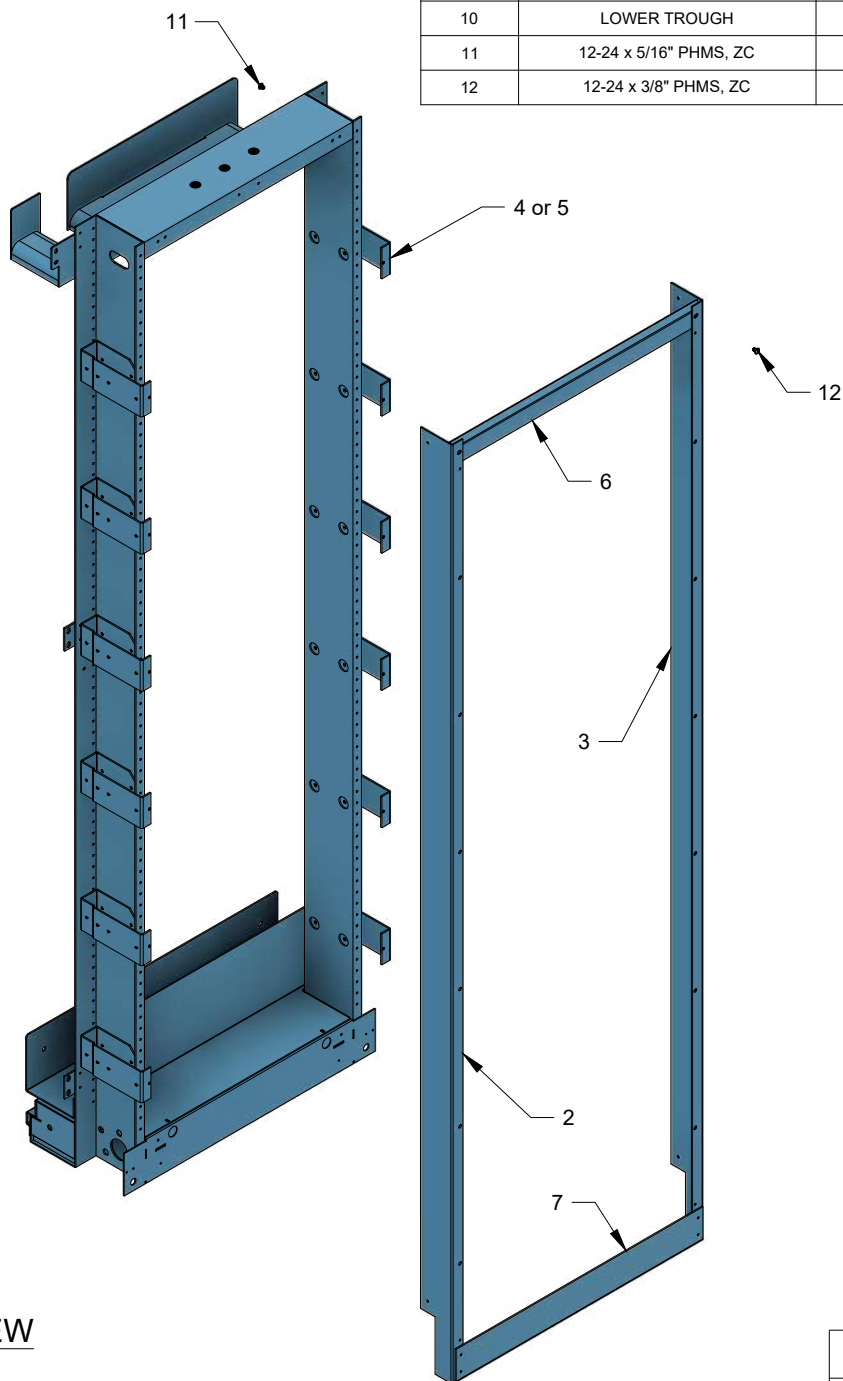
(04/27/23)



Moreng Telecom Products
973-237-2001
www.morengtel.com

FIBER DISTRIBUTION BAYS (OSP - 12" & 15" DEEP)

ITEM	DESCRIPTION	R8LG084A-3	R8LG084A15-3
1	NETWORK BAY KIT, SEE 5-04	1	1
2	LEFT UPRIGHT	1	1
3	RIGHT UPRIGHT	1	1
4	12" BRACKET	12	
5	15" BRACKET		12
6	TOP PLATE	1	1
7	BOTTOM PLATE	1	1
8	UPPER TROUGH	1	1
9	JUMP SUPPORT BRACKET	1	1
10	LOWER TROUGH	1	1
11	12-24 x 5/16" PHMS, ZC	68	68
12	12-24 x 3/8" PHMS, ZC	7	7



REAR VIEW

SHEET 3 OF 3

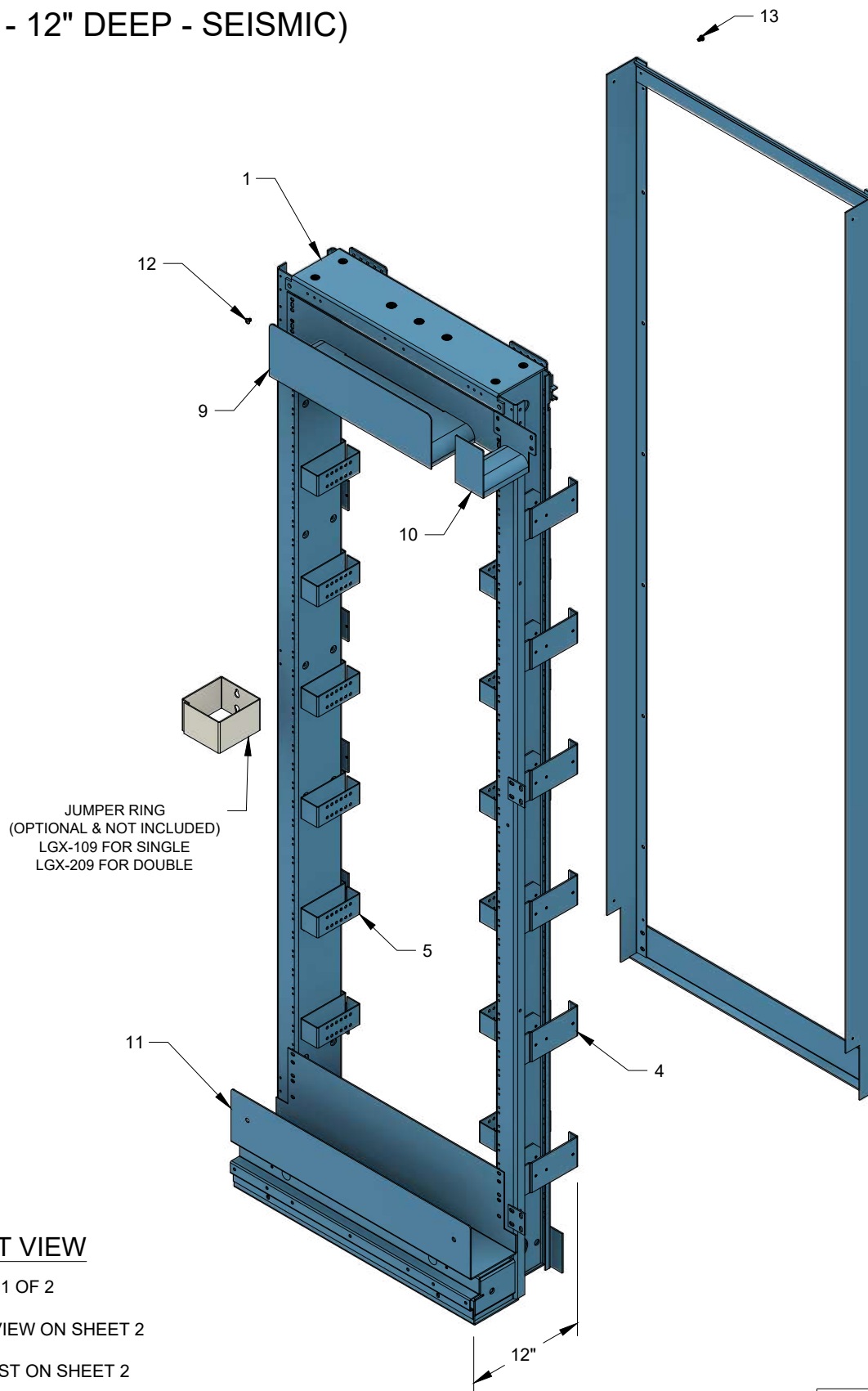
"D"	PART NUMBER
12	R8LG084A-3
15	R8LG084A15-3

(04/27/23)



Moreng Telecom Products
973-237-2001
www.morengtel.com

FIBER DISTRIBUTION BAYS (FOT - 12" DEEP - SEISMIC)



FRONT VIEW

SHEET 1 OF 2

REAR VIEW ON SHEET 2

ITEM LIST ON SHEET 2

R7LG084R-3

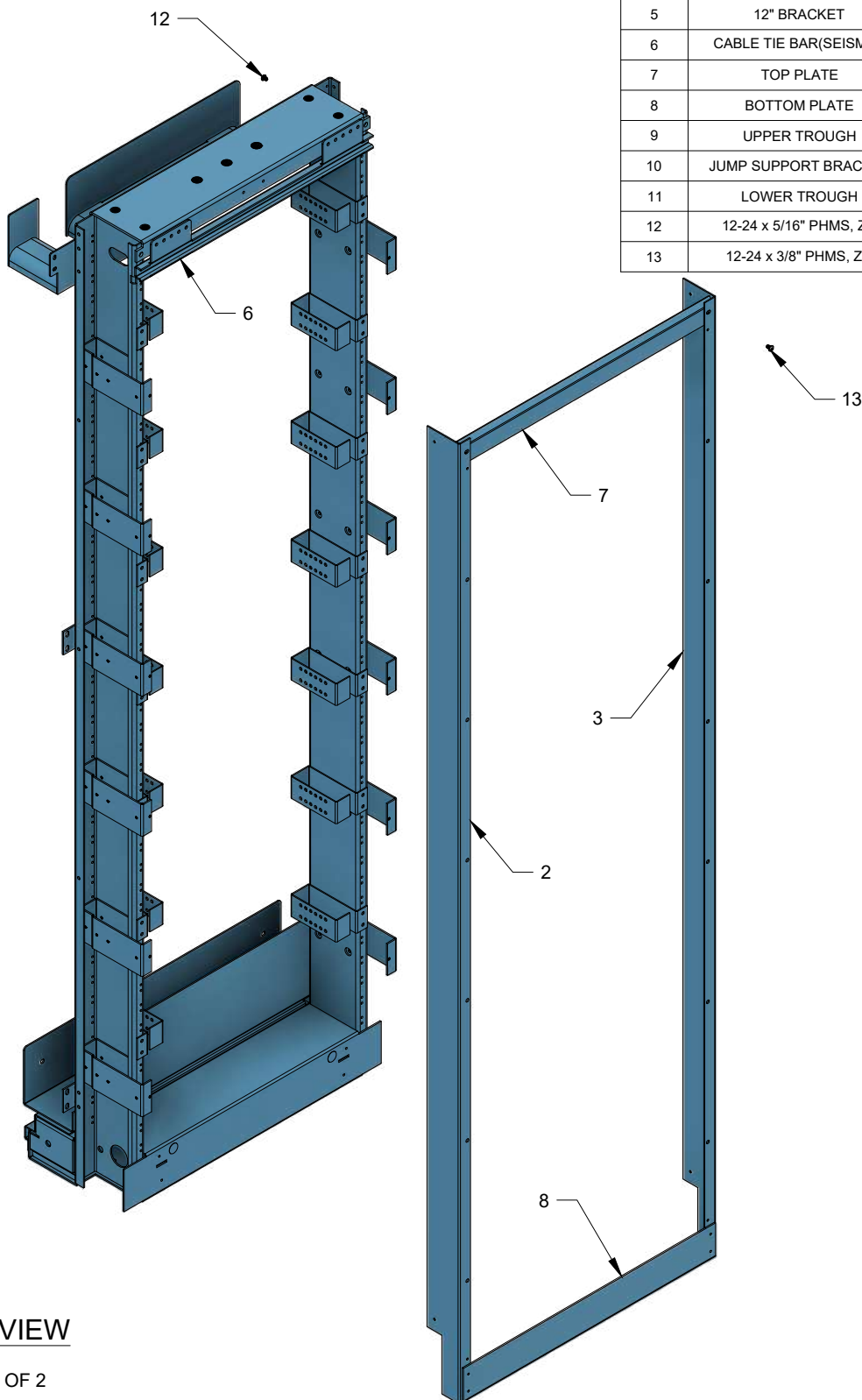
(04/27/23)



Moreng Telecom Products
973-237-2001
www.morengtel.com

FIBER DISTRIBUTION BAYS (FOT - 12" DEEP - SEISMIC)

ITEM	DESCRIPTION	R7LG084R-3
1	NETWORK BAY KIT, SEE 5-24	1
2	LEFT UPRIGHT	1
3	RIGHT UPRIGHT	1
4	12" BRACKET	14
5	12" BRACKET	12
6	CABLE TIE BAR(SEISMIC)	1
7	TOP PLATE	1
8	BOTTOM PLATE	1
9	UPPER TROUGH	1
10	JUMP SUPPORT BRACKET	1
11	LOWER TROUGH	1
12	12-24 x 5/16" PHMS, ZC	100
13	12-24 x 3/8" PHMS, ZC	7



REAR VIEW

SHEET 2 OF 2

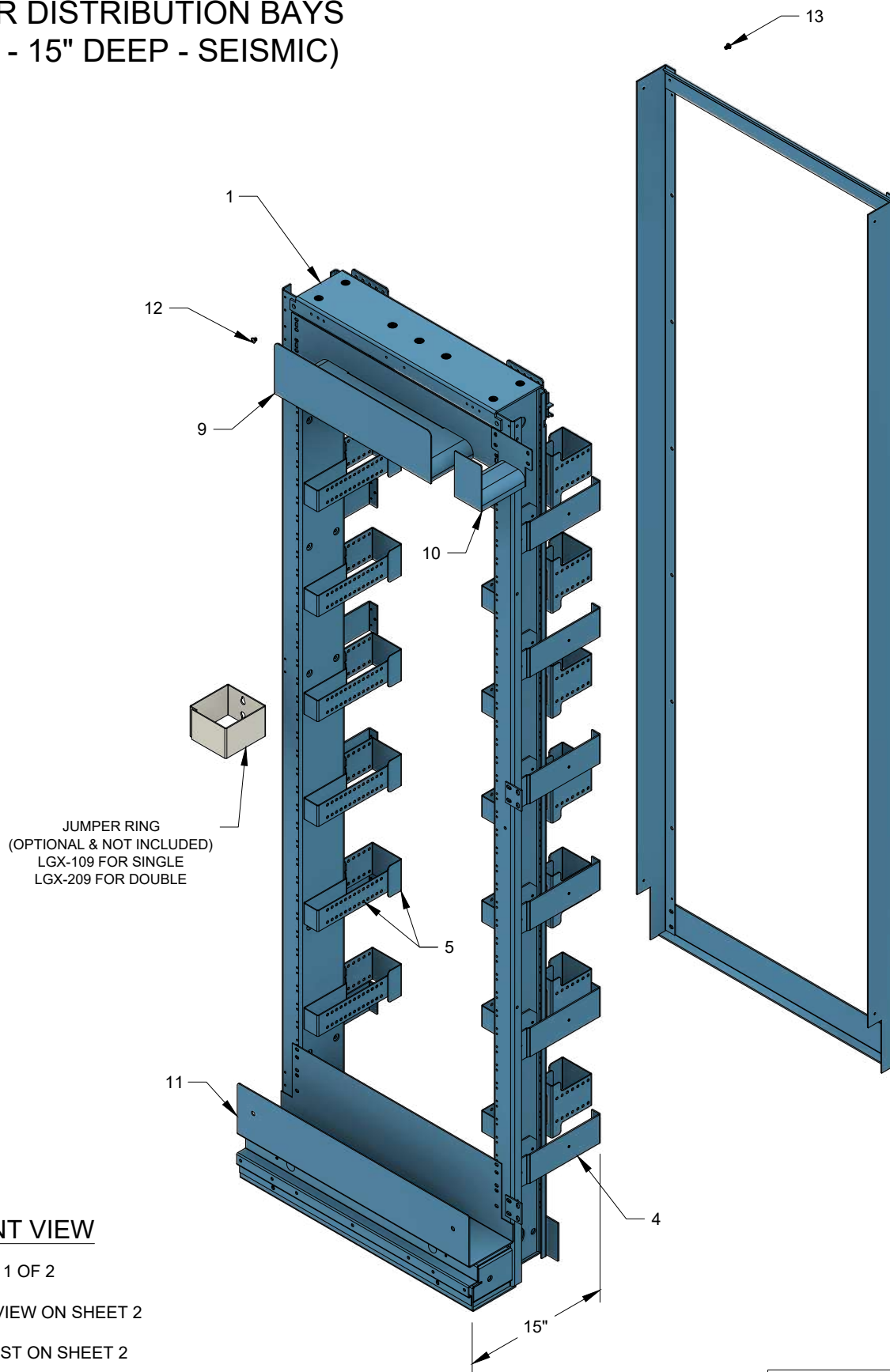
R7LG084R-3

(04/27/23)



Moreng Telecom Products
973-237-2001
www.morengtel.com

FIBER DISTRIBUTION BAYS (FOT - 15" DEEP - SEISMIC)



FRONT VIEW

SHEET 1 OF 2

REAR VIEW ON SHEET 2

ITEM LIST ON SHEET 2

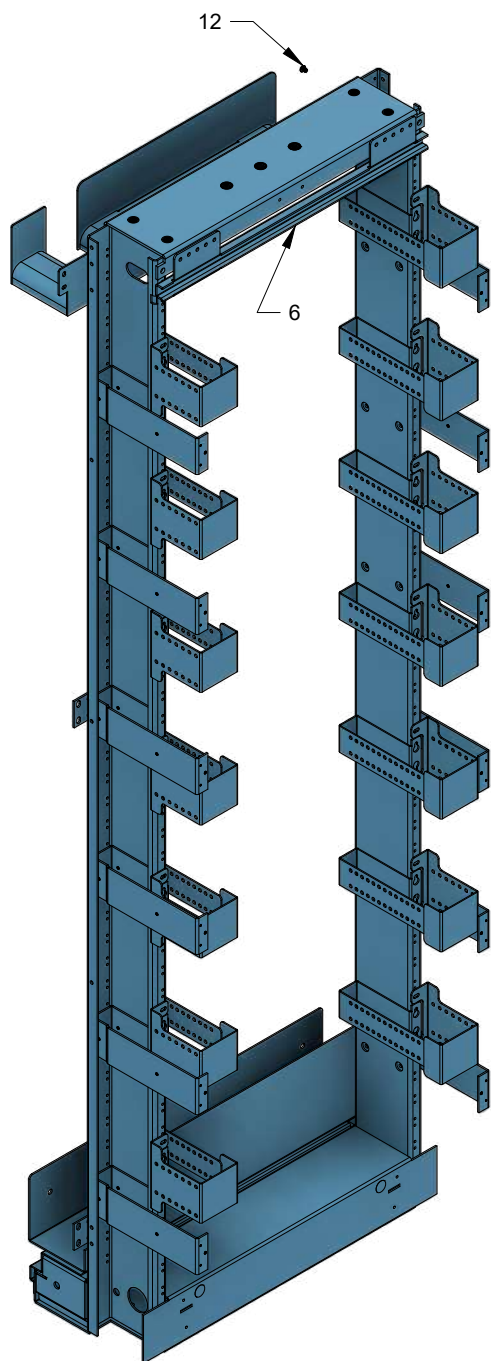
R7LG084R15-3

(04/27/23)

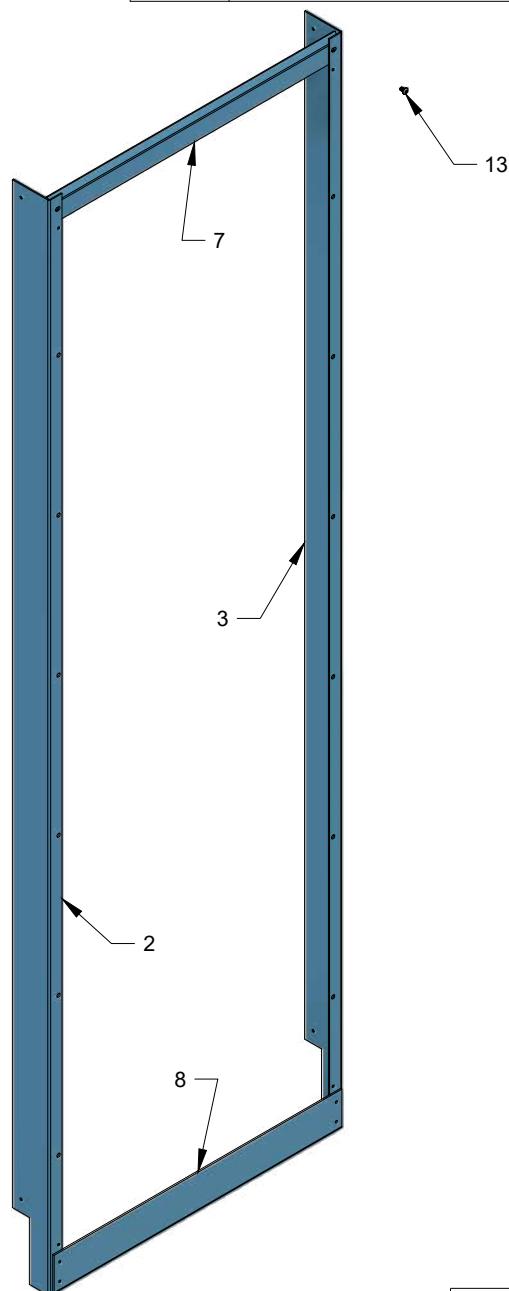


Moreng Telecom Products
973-237-2001
www.morengtel.com

FIBER DISTRIBUTION BAYS (FOT - 15" DEEP - SEISMIC)



ITEM	DESCRIPTION	R7LG084R15-3
1	NETWORK BAY KIT, SEE 5-04	1
2	LEFT UPRIGHT	1
3	RIGHT UPRIGHT	1
4	15" BRACKET	14
5	15" BRACKET KIT	12
6	CABLE TIE BAR(SEISMIC)	1
7	TOP PLATE	1
8	BOTTOM PLATE	1
9	UPPER TROUGH	1
10	JUMP SUPPORT BRACKET	1
11	LOWER TROUGH	1
12	12-24 x 5/16" PHMS, ZC	94
13	12-24 x 3/8" PHMS, ZC	12



REAR VIEW

SHEET 2 OF 2

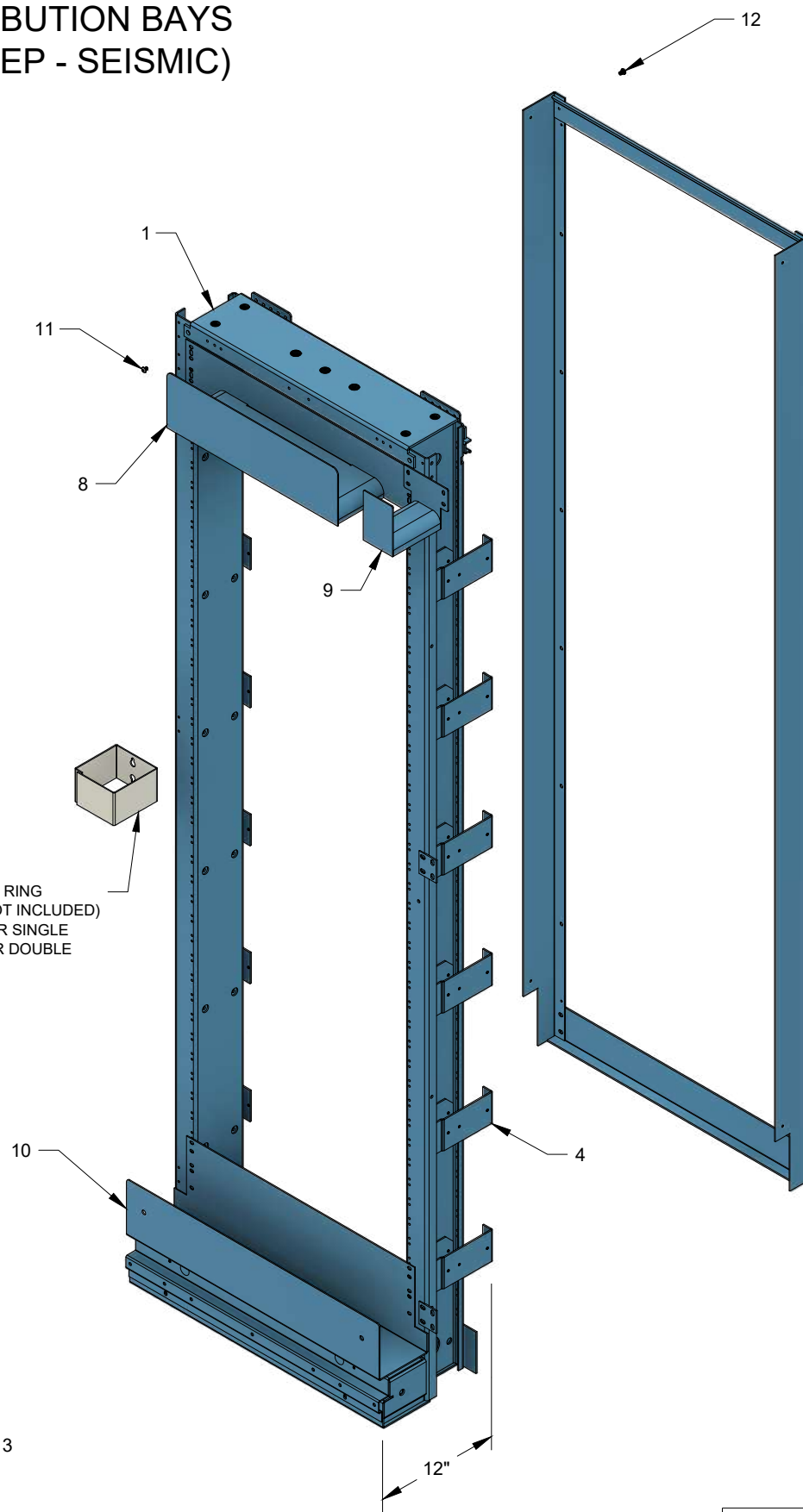
R7LG084R15-3

(04/27/23)



Moreng Telecom Products
973-237-2001
www.morengtel.com

FIBER DISTRIBUTION BAYS (OSP - 12" DEEP - SEISMIC)



JUMPER RING
(OPTIONAL & NOT INCLUDED)
LGX-109 FOR SINGLE
LGX-209 FOR DOUBLE

FRONT VIEW

SHEET 1 OF 3

REAR VIEW ON SHEET 3

ITEM LIST ON SHEET 3

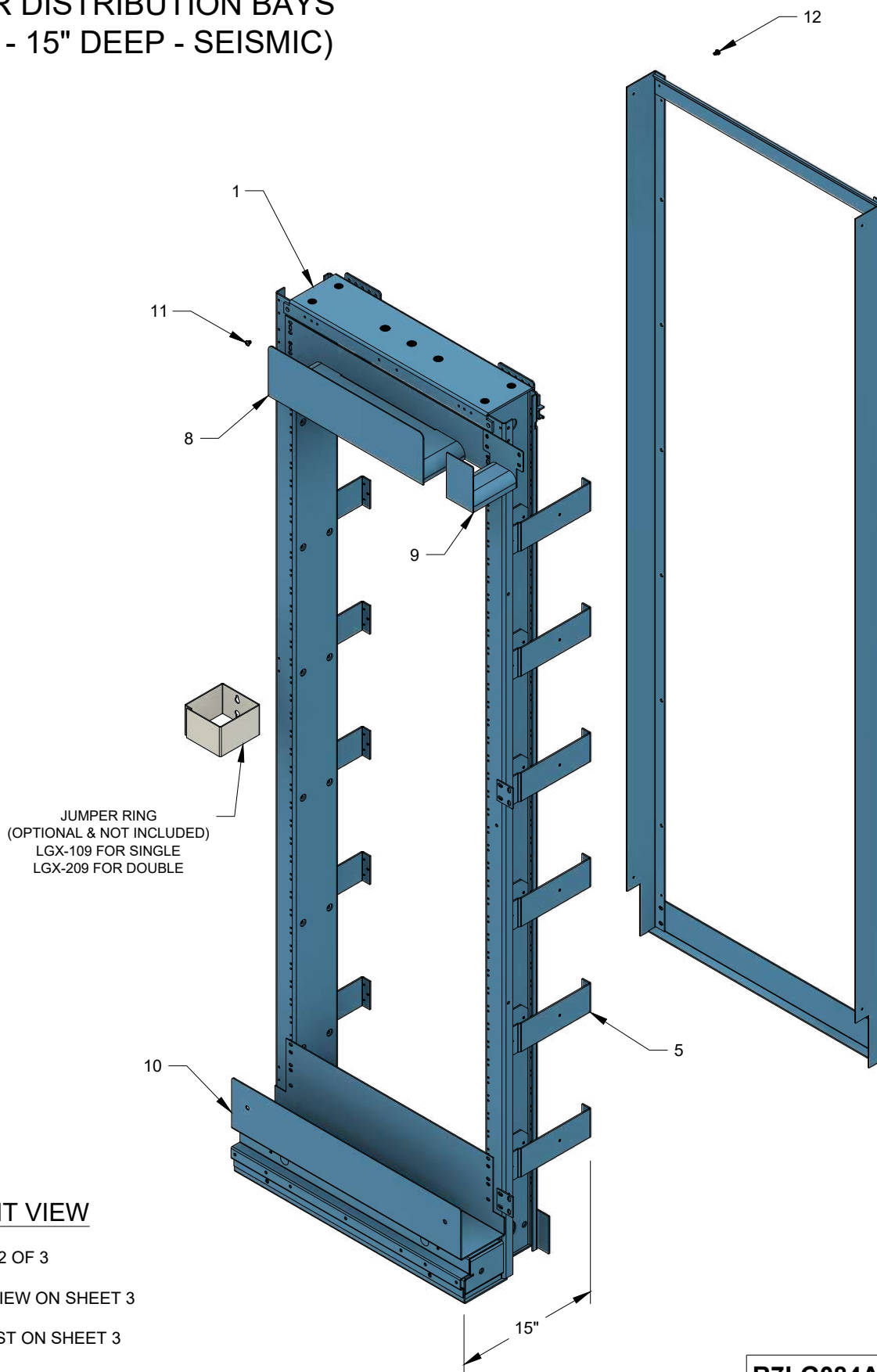
R7LG084A-3

(04/27/23)



Moreng Telecom Products
973-237-2001
www.morengtel.com

FIBER DISTRIBUTION BAYS (OSP - 15" DEEP - SEISMIC)



FRONT VIEW

SHEET 2 OF 3

REAR VIEW ON SHEET 3

ITEM LIST ON SHEET 3

R7LG084A15-3

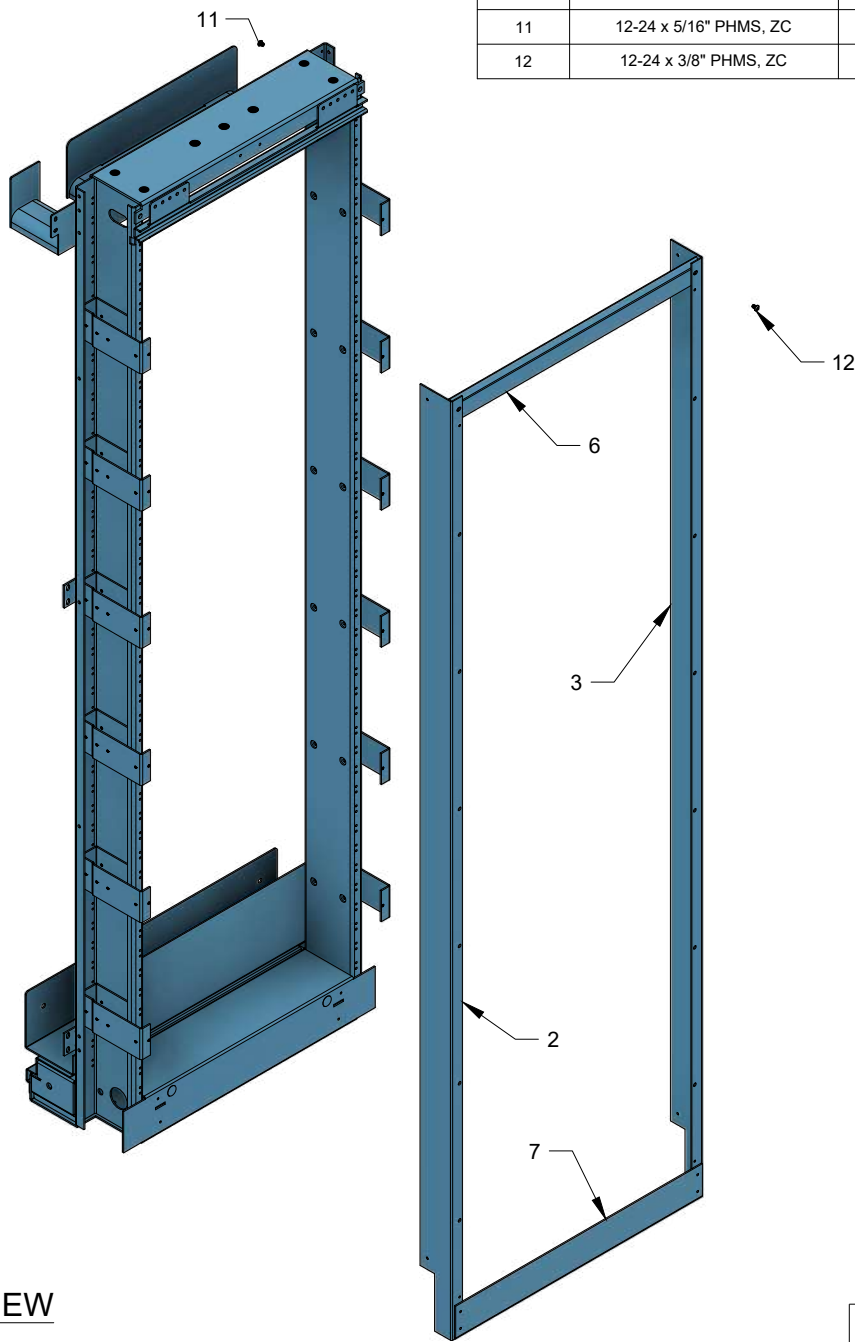
(04/27/23)



Moreng Telecom Products
973-237-2001
www.morengtel.com

FIBER DISTRIBUTION BAYS (OSP - 12" & 15" DEEP - SEISMIC)

ITEM	DESCRIPTION	R7LG084A-3	R7LG084A15-3
1	NETWORK BAY KIT, SEE 5-24	1	1
2	LEFT UPRIGHT	1	1
3	RIGHT UPRIGHT	1	1
4	12" BRACKET	12	
5	15" BRACKET		12
6	TOP PLATE	1	1
7	BOTTOM PLATE	1	1
8	UPPER TROUGH	1	1
9	JUMP SUPPORT BRACKET	1	1
10	LOWER TROUGH	1	1
11	12-24 x 5/16" PHMS, ZC	68	68
12	12-24 x 3/8" PHMS, ZC	7	7



REAR VIEW

SHEET 3 OF 3

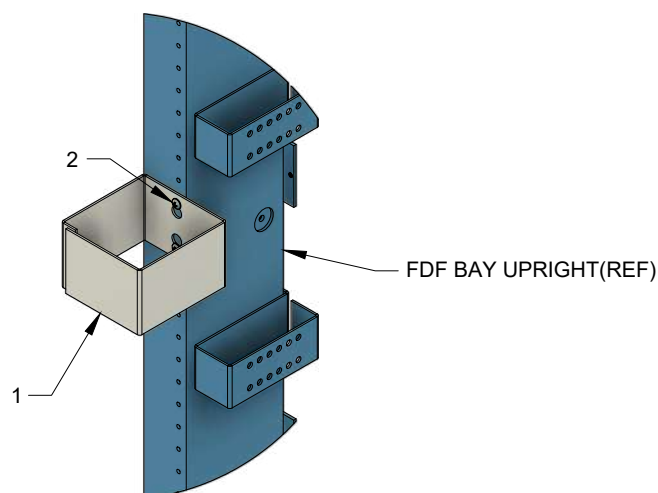
"D"	PART NUMBER
12	R7LG084A-3
15	R7LG084A15-3

(04/27/23)



Moreng Telecom Products
973-237-2001
www.morengtel.com

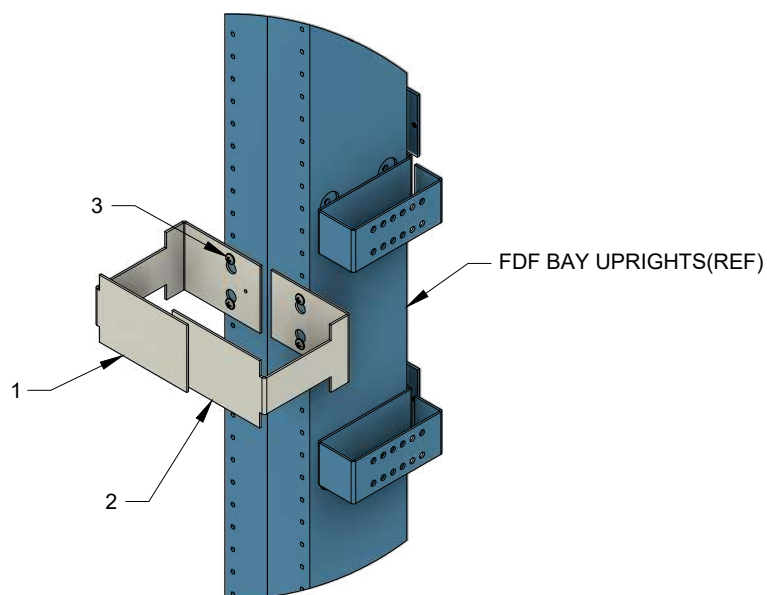
FDF BAY ACCESSORIES SINGLE RING KIT



(FOR USE ON SINGLE BAYS AND END BAYS)

C	DESCRIPTION	LGX-109
1	CABLE MANAGEMENT BRACKET	1
2	12-24 x 3/8" PHMS, ZC	2

DOUBLE RING KIT



(MAY BE USED ON ADJACENT FDF BAYS FOR EXTRA CAPACITY)

ITEM	DESCRIPTION	LGX-209
1	CABLE MANAGEMENT BRACKET	1
2	CABLE MANAGEMENT BRACKET	1
3	12-24 x 3/8" PHMS, ZC	4

(04/28/23)



Moreng Telecom Products
973-237-2001
www.morengtel.com

FIBER MANAGEMENT RING KIT

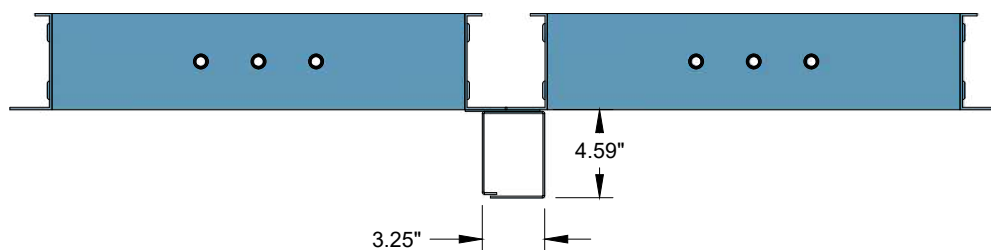
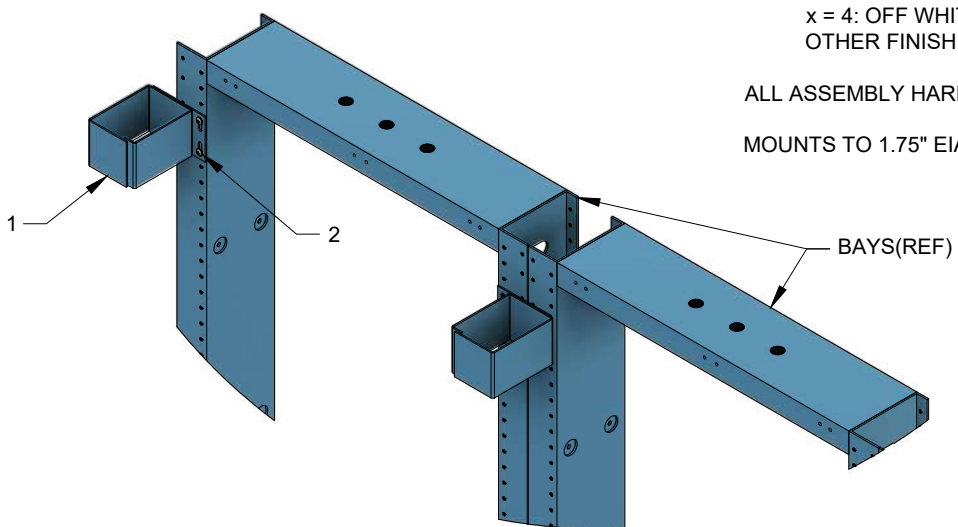
MATERIAL: CARBON STEEL

FINISH OPTIONS:

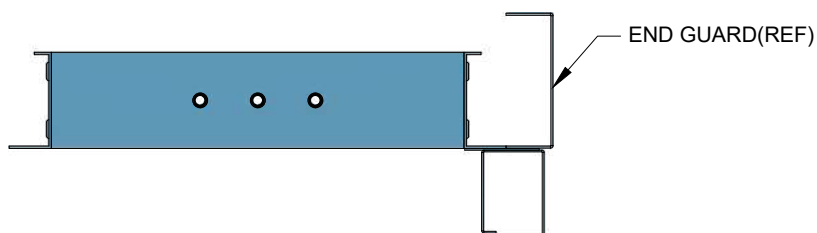
- x = 1: MTP GRAY
- x = 3: NETWORK BLUE
- x = 4: OFF WHITE
- OTHER FINISHES AVAILABLE

ALL ASSEMBLY HARDWARE INCLUDED

MOUNTS TO 1.75" EIA OR 1" WECO RU'S



RING BETWEEN 2 BAYS



RING BETWEEN BAY & END GUARD

ITEM	DESCRIPTION	CM-127K-x
1	CABLE RING	1
2	12-24 x 5/16" PHMS, ZC	2

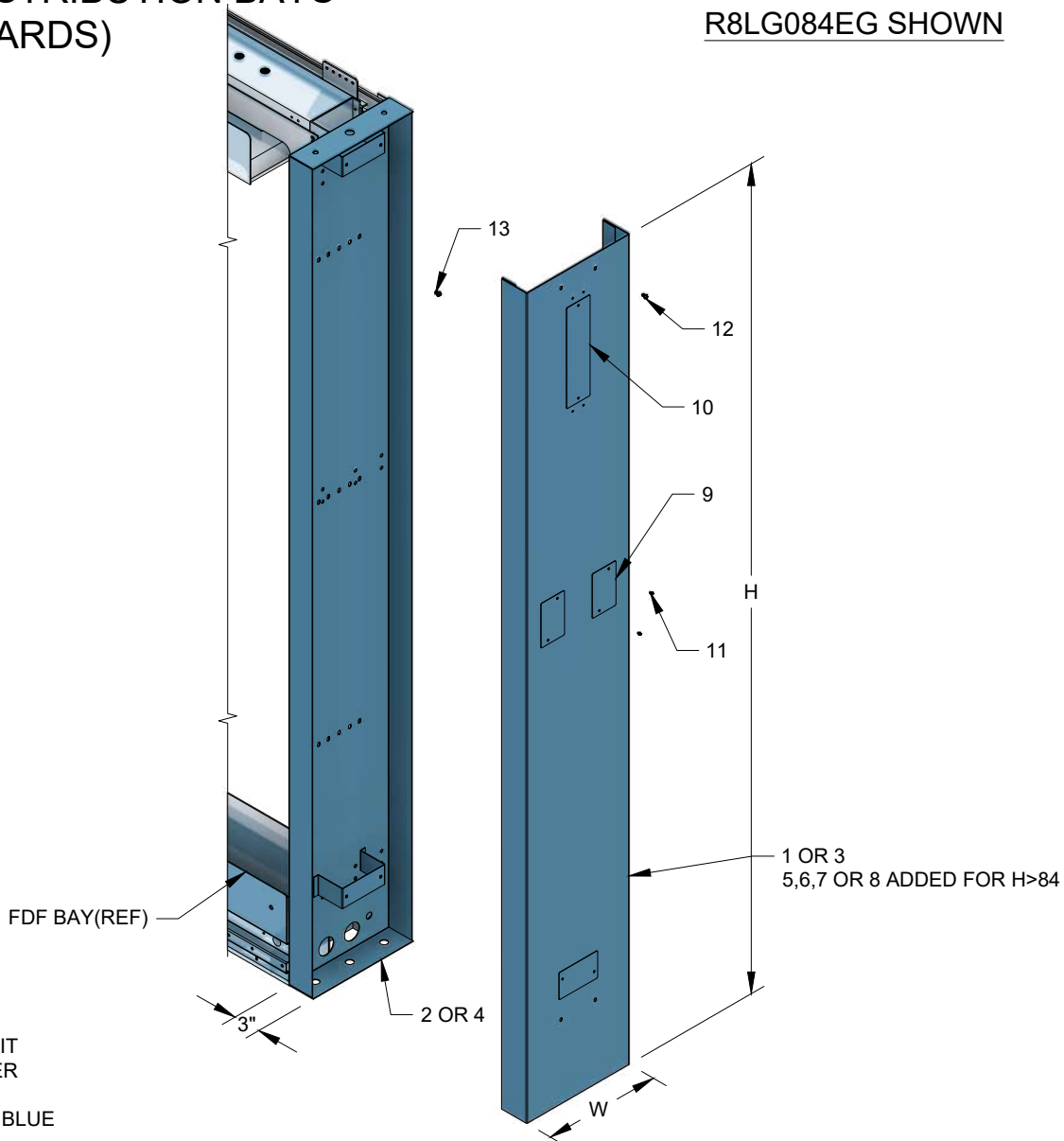
(07/01/24)



Moreng Telecom Products
 973-237-2001
 www.morengtel.com

FIBER DISTRIBUTION BAYS (END GUARDS)

R8LG084EG SHOWN



OVER 7' HAS A 7' KIT WITH AN EXTENDER

FINISH: NETWORK BLUE

MATERIAL: CARBON STEEL

ITEM	DESCRIPTION	W		H		H			
		12"	15"	84"	84"	108"	108"	138"	138"
1	84" x 12" END GD PANEL	1							
2	84" x 12" END GD BACK PANEL	1							
3	84" x 15" END GD PANEL		1						
4	84" x 15" END GD BACK PANEL		1						
5	24" x 12" LGX END EXTENSION KIT			1					
6	24" x 15" LGX END EXTENSION KIT				1				
7	54" x 12" LGX END EXTENSION KIT					1			
8	54" x 15" LGX END EXTENSION KIT							1	
9	SMALL COVER PLATE	3	3	3	3	3	3	3	3
10	LARGE COVER PLATE	1	1	1	1	1	1	1	1
11	6-32 x 3/16" PHMS TYPE F, ZY	8	8	8	8	8	8	8	8
12	10-24 x 3/8" PHMS, ZC	4	4	4	4	4	4	4	4
13	12-24 x 3/8" PHMS, ZC	6	6	6	6	6	6	6	6

(04/28/23)



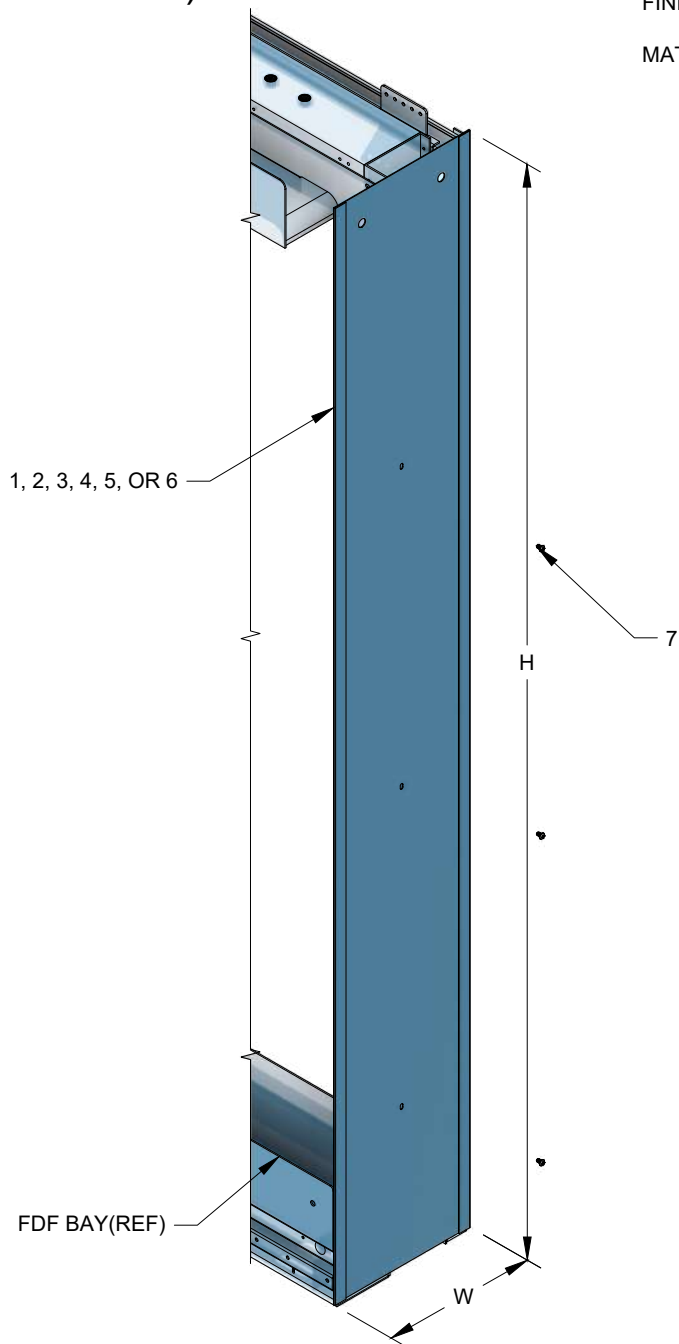
Moreng Telecom Products
973-237-2001
www.morengtel.com

FIBER DISTRIBUTION BAYS (BAY END COVERS)

FOR USE WHERE SPACE IS LIMITED AT END OF LGX LINE UP

FINISH: NETWORK BLUE

MATERIAL: CARBON STEEL



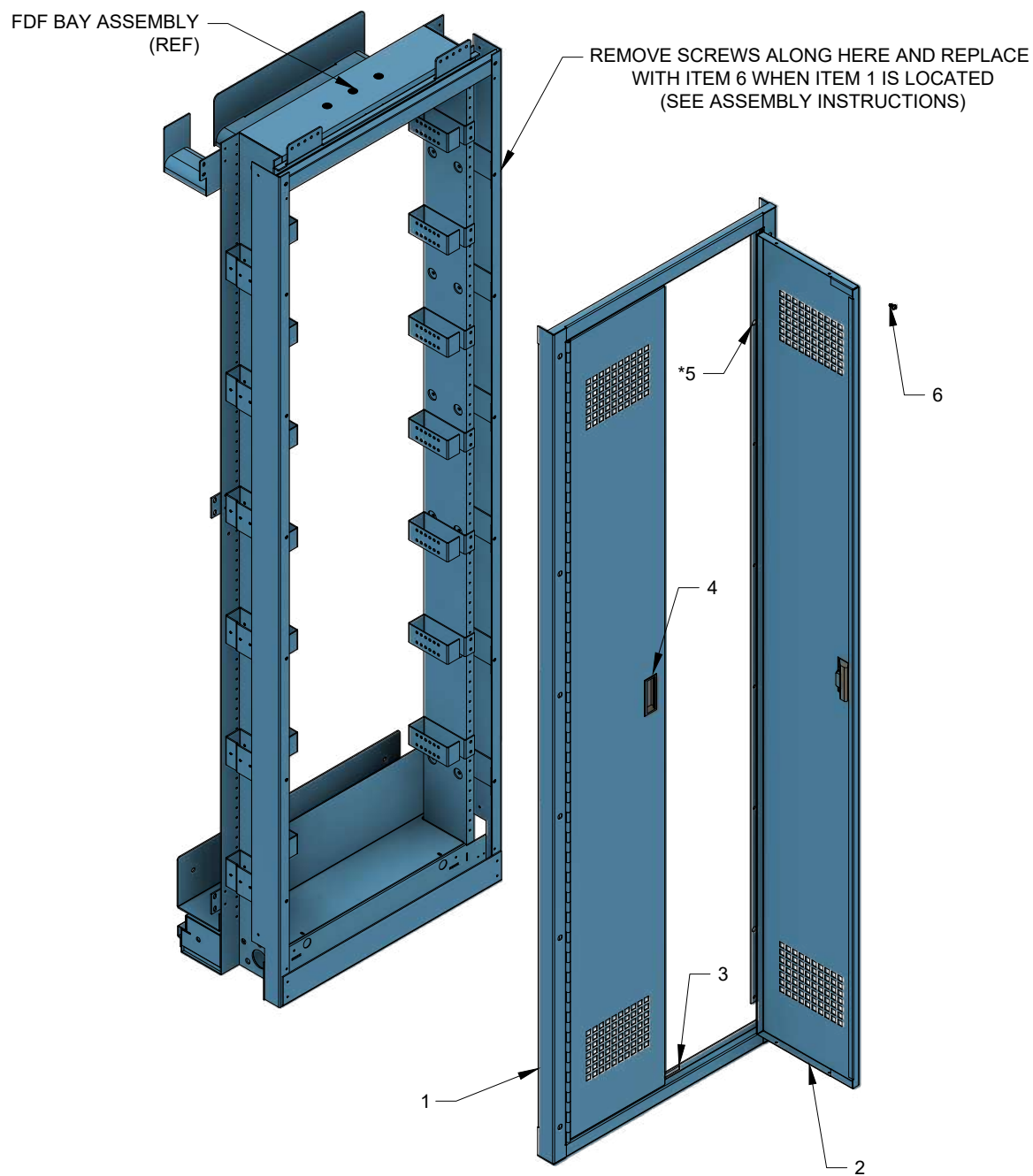
ITEM	DESCRIPTION	Dimensions											
		W	H	W	H	W	H	W					
		12"	84"	15"	84"	12"	108"	15"	108"	12"	138"	15"	138"
ITEM	DESCRIPTION	R8LG084EC	R8LG084EC15	R8LG108EC	R8LG108EC15	R8LG138EC	R8LG138EC15						
1	84" x 15" END COVER	1											
2	84" x 15" END COVER		1										
3	108" x 12" END COVER			1									
4	108" x 15" END COVER				1								
5	138" x 12" END COVER					1							
6	138" x 15" END COVER						1						
7	12-24 x 3/8" PHMS, ZC	3	6	4	8	6	12						

(04/28/23)



Moreng Telecom Products
973-237-2001
www.morengtel.com

FDF BAY REAR DOORS



INSTALL CORNER SCREWS FIRST

* ITEM 5 USED TO HOLD DOOR TO FRAME (SHOP ASSEMBLED)

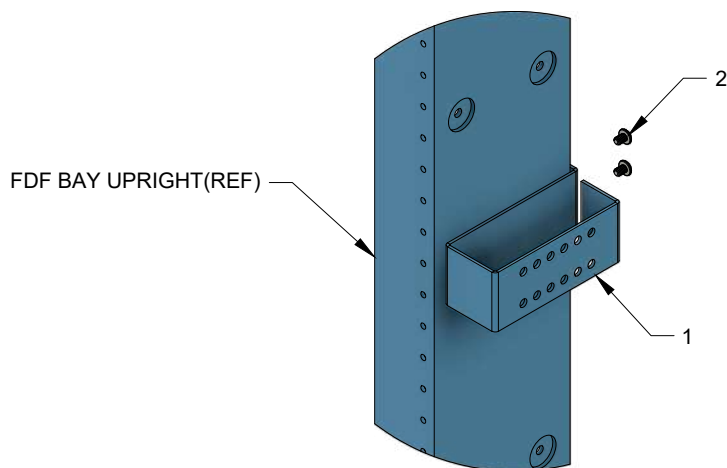
ITEM	DESCRIPTION	R8LG084DD
1	REAR DOOR FRAME	1
2	DOOR ASSEMBLY	2
3	SOUTH MAGNET, SNAP IN	4
4	SOUTHCO FLUSH PULL	2
5	10-32 x 1/4" PHMS, ZC	10
6	12-24 x 1/2" PHMS, ZC	8

(04/28/23)



Moreng Telecom Products
973-237-2001
www.morengtel.com

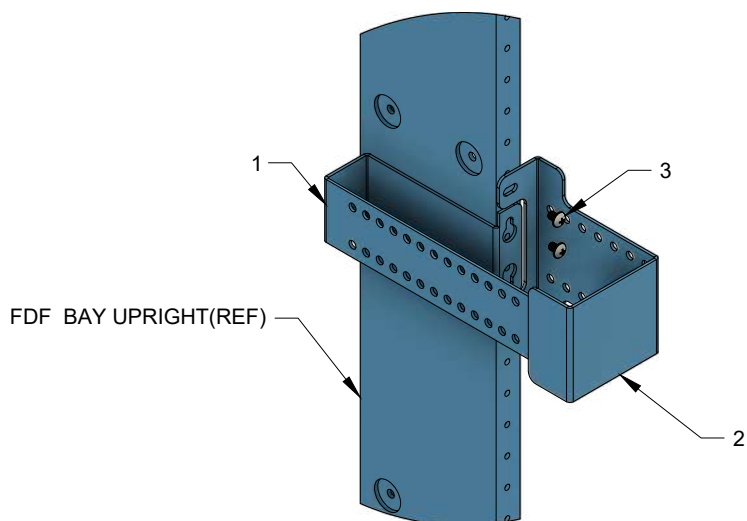
FDF BAY ACCESSORIES BRACKET KIT: 12" FDF BAY



FOR INCREASING CAPACITY OF CABLE
MANAGEMENT BRACKET IN 12" FDF BAY

ITEM	DESCRIPTION	LGX-101K
1	12" BRACKET	1
2	12-24 x 1/4" PHMS, ZC	2

FDF BAY ACCESSORIES BRACKET KIT: 15" FDF BAY



FOR INCREASING CAPACITY OF CABLE
MANAGEMENT BRACKET IN 15" FDF BAY

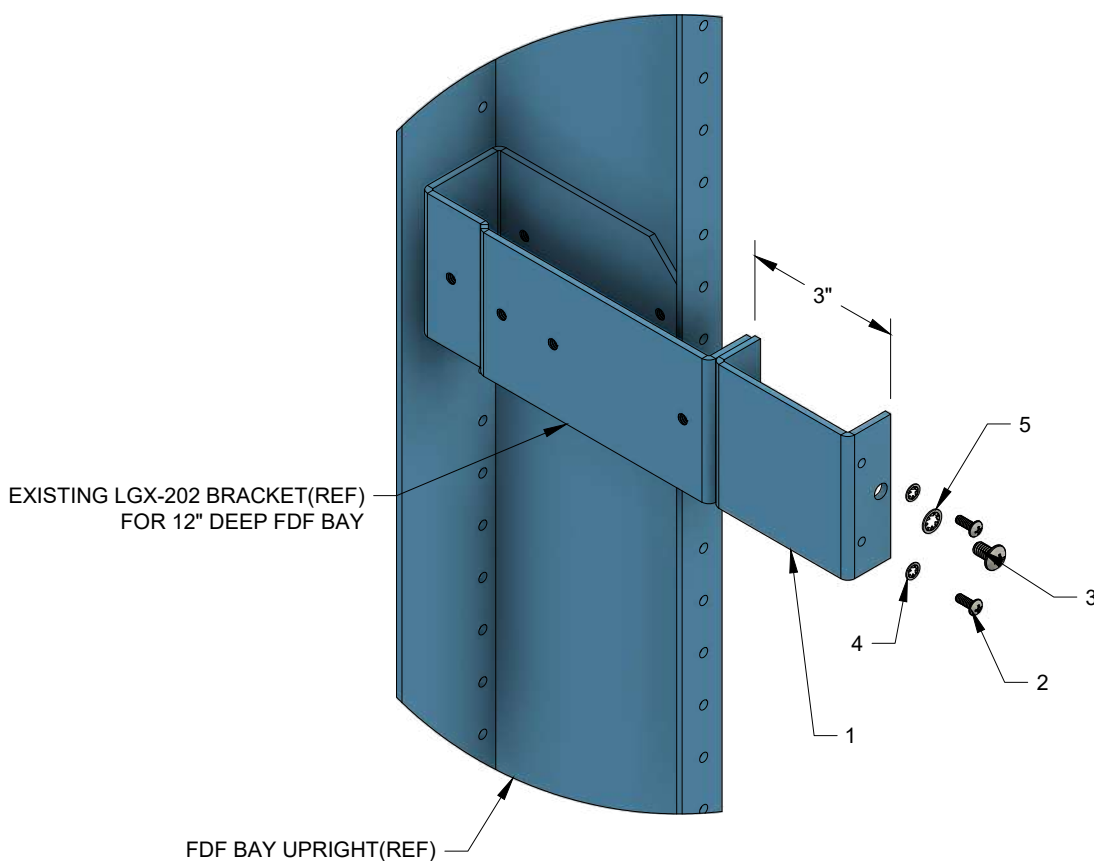
ITEM	DESCRIPTION	LGX-103K
1	INNER BRACKET	1
2	OUTER BRACKET	1
3	12-24 x 1/4" PHMS, ZC	4

(04/28/23)



Moreng Telecom Products
973-237-2001
www.morengtel.com

FDF BAY ACCESSORIES DUCT BRACKET EXTENSION KIT



FOR CONVERTING 12" FDF BAY TO 15" FDF BAY

FOR A COMPLETE SET FOR FULL BAY: ORDER **LGX-202EX3KS**

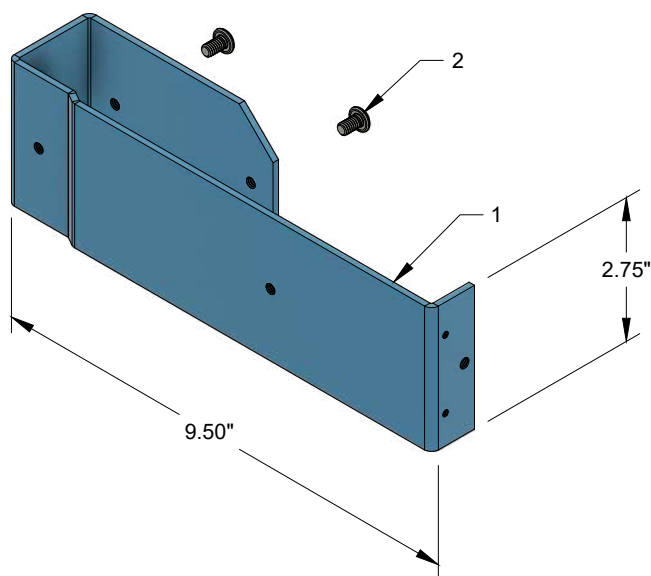
ITEM	DESCRIPTION	LGX-202EX3K
1	EXTENSION BRACKET	1
2	6-32 x 3/8" PHMS, ZC	2
3	12-24 x 5/16" PHMS, ZC	2
4	#6 ITT LOCK WASHER, ZC	2
5	#12 ITT LOCK WASHER, ZC	2

(11/19/24)



Moreng Telecom Products
973-237-2001
www.morengtel.com

FDF BAY ACCESSORIES DUCT BRACKET 15" WITH HARDWARE

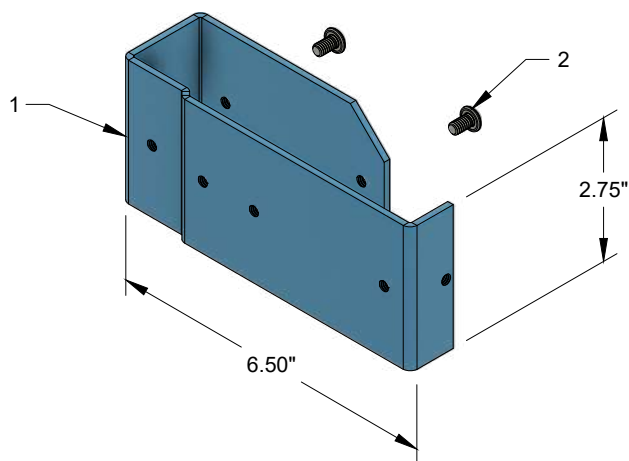


MATERIAL: 0.12 HRPO

FINISH: NETWORK BLUE

ITEM	DESCRIPTION	LGX-102K
1	15" BRACKET	1
2	12-24 x 5/16" PHMS, ZC	4

FDF BAY ACCESSORIES DUCT BRACKET 12" WITH HARDWARE



MATERIAL: 0.12 HRPO

FINISH: NETWORK BLUE

ITEM	DESCRIPTION	LGX-202K
1	12" BRACKET	1
2	12-24 x 5/16" PHMS, ZC	2

(04/28/23)



Moreng Telecom Products
973-237-2001
www.morengtel.com

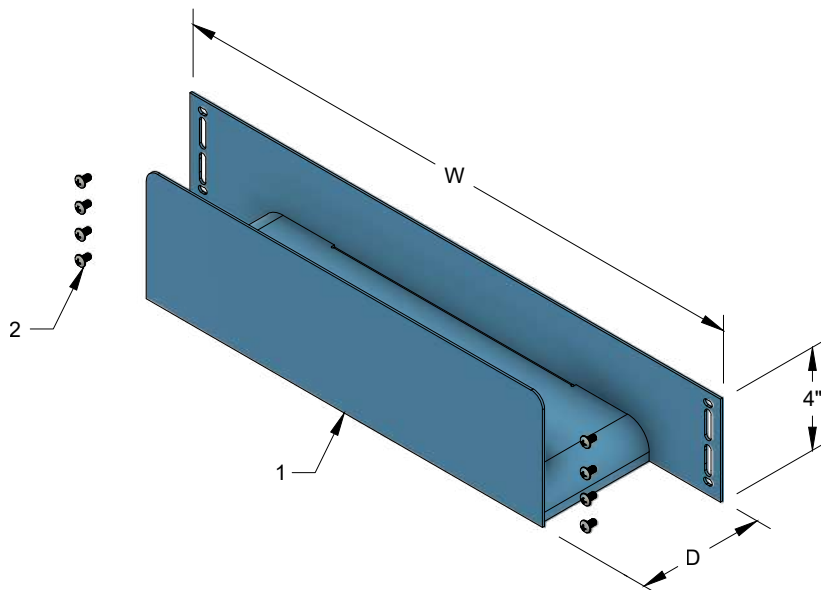
FDF BAY ACCESSORIES TOP TROUGH WITH HARDWARE

MATERIAL: 0.09 HRPO

FINISH: NETWORK BLUE

LGX-905K IS STANDARD WITH LGX BAYS

ADD -1K TO KITS FOR GRAY FINISH
EX: LGX-905-1K



ITEM	DESCRIPTION	QTY
1	UPPER TROUGH	1
2	12-24 x 5/16" PHMS, ZC	8

PART #	'D'	'W'
LGX-905K	5"	25.88"
LGX-90508K	8"	25.88"
LGX-90510K	10"	25.88"
LGX-905M19K	5"	21.88"
LGX-90508M19K	8"	21.88"
LGX-90510M19K	10"	21.88"

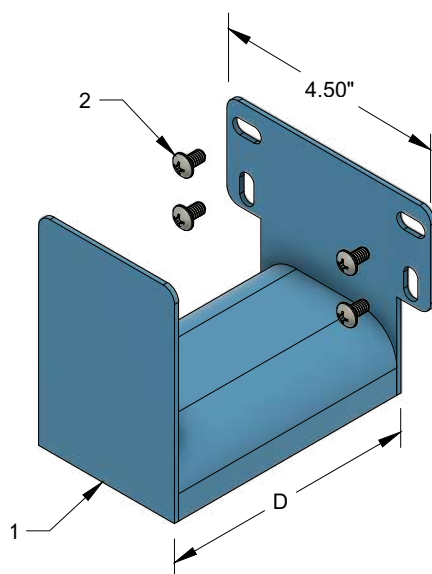
FDF BAY ACCESSORIES JUMPER SUPPORT BRACKET WITH HARDWARE

MATERIAL: 0.09 HRPO

FINISH: NETWORK BLUE

LGX-906K IS STANDARD WITH LGX BAYS

ADD -1K TO KITS FOR GRAY FINISH
EX: LGX-906-1K



ITEM	DESCRIPTION	QTY
1	JUMP SUPPORT BRACKET	1
2	12-24 x 5/16" PHMS, ZC	4

PART #	'D'
LGX-906K	5"
LGX-90608K	8"
LGX-90610K	10"

(11/08/24)



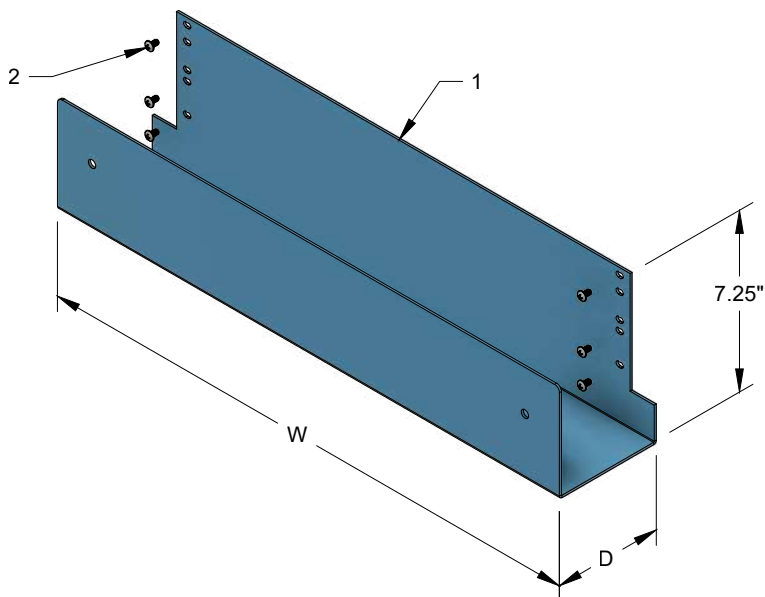
Moreng Telecom Products
973-237-2001
www.morengtel.com

FDF BAY ACCESSORIES BOTTOM TROUGH WITH HARDWARE

MATERIAL: 0.09 HRPO

FINISH:
LGX-907K: NETWORK BLUE
LGX-907-1K: MTP GRAY

LGX-907K IS STANDARD FOR
LGX BAYS



PART #	'D'	'W'
LGX-907K	5"	25.88"
LGX-90708K	8"	25.88"
LGX-90710K	10"	25.88"
LGX-907M19K	5"	21.88"
LGX-90708M19K	8"	21.88"
LGX-90710M19K	10"	21.88"

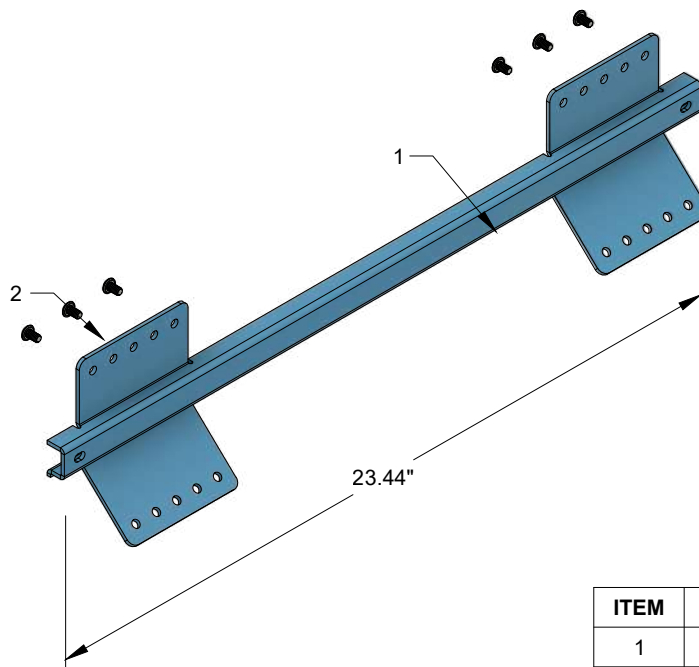
ITEM	DESCRIPTION	QTY
1	BOTTOM TROUGH	1
2	12-24 x 5/16" PHMS, ZC	6

FDF BAY ACCESSORIES CABLE TIE BAR ASSEMBLY WITH HARDWARE

MATERIAL: 0.09 HRPO

FINISH:
LGX-203K: NETWORK BLUE
LGX-203-1K: MTP GRAY

LGX-203K IS STANDARD FOR
LGX BAYS



ITEM	DESCRIPTION	LGX-203K
1	CABLE TIE BAR	1
2	12-24 x 5/16" PHMS, ZC	8

(11/08/24)



Moreng Telecom Products
973-237-2001
www.morengtel.com

FDF BAY EXTENDERS (FOR 7' BAYS)

MATERIAL: CARBON STEEL

FINISH OPTIONS:

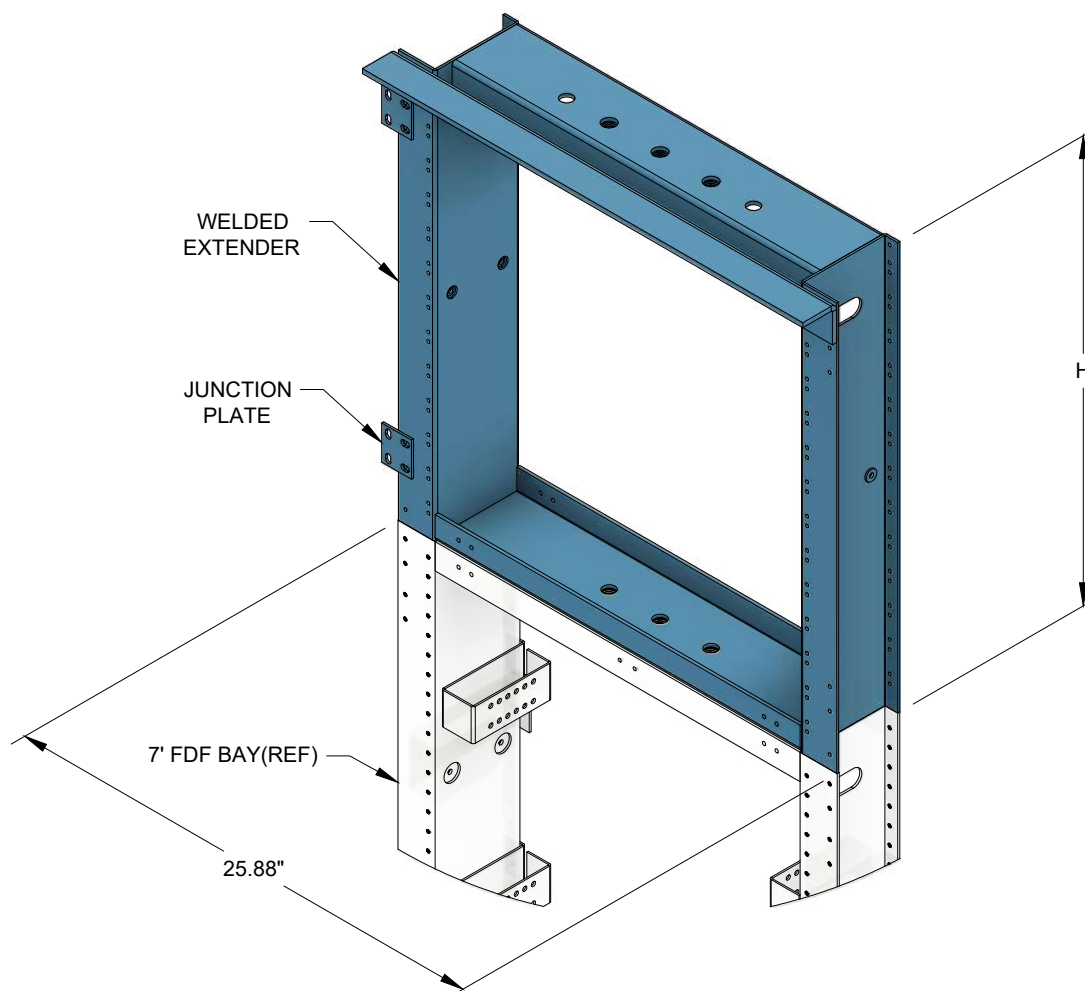
x = 1: MTP GRAY

x = 3: NETWORK BLUE

x = 4: OFF WHITE

OTHER FINISHES AVAILABLE

ALL ASSEMBLY HARDWARE INCLUDED



H	MTG PATTERN	PART #
12	1.75 X 23	R8R012231-x
12	2.00 X 23	R8R012232-x
24	1.75 X 23	R8R024231-x
24	2.00 X 23	R8R024232-x
54	1.75 X 23	R8R054231-x
54	2.00 X 23	R8R054232-x
56	1.75 X 23	R8R056231-x
56	2.00 X 23	R8R056232-x

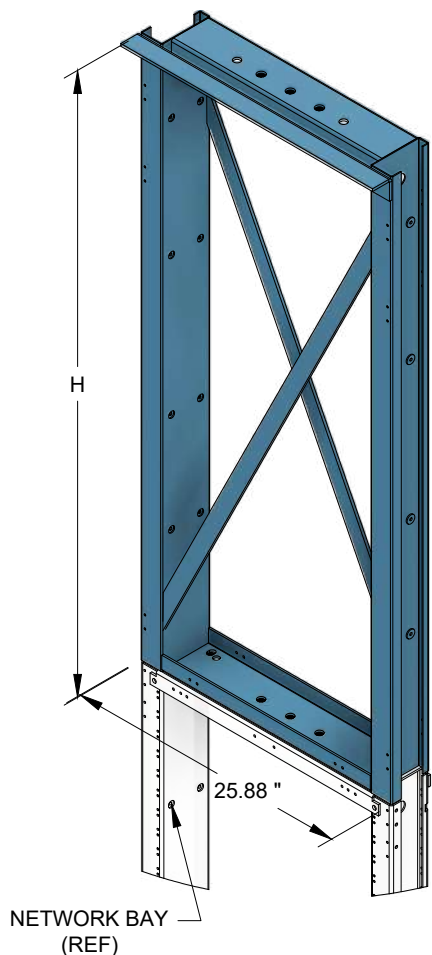
(04/28/23)



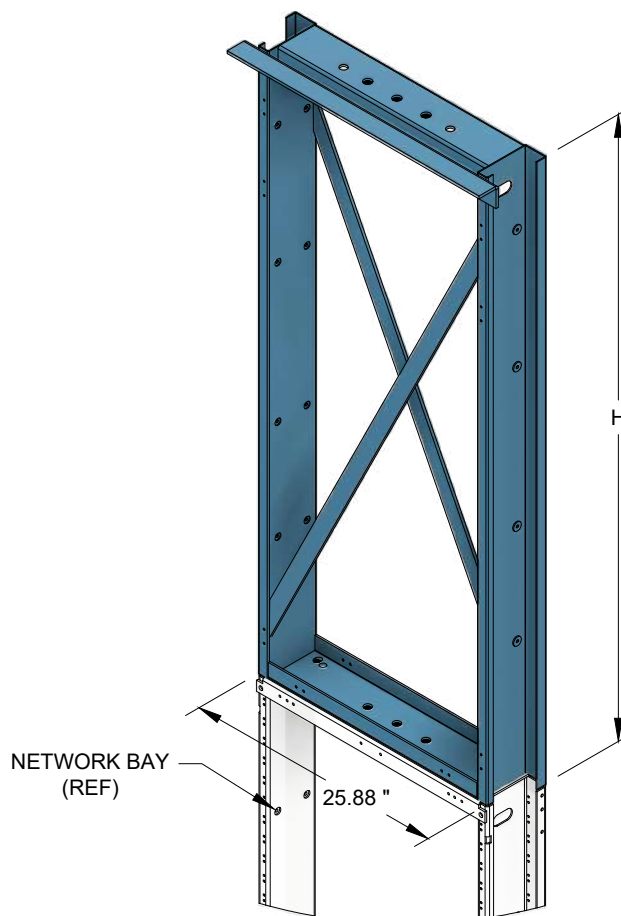
Moreng Telecom Products
973-237-2001
www.morengtel.com

SEISMIC NETWORK BAY EXTENDERS

REAR CABLED



FRONT CABLED



MATERIAL: CARBON STEEL

FINISH OPTIONS:

- x = 1: MTP GRAY
- x = 3: NETWORK BLUE
- x = 4: OFF WHITE
- OTHER FINISHES AVAILABLE

ALL ASSEMBLY HARDWARE INCLUDED

FEATURES:

- NEBS CERTIFIED
- BRACES & ABSENCE OF MOUNTING HOLES PREVENT EQUIPMENT INSTALLATION
- BOTTOM HOLES MATCH OTHER NEBS SEISMIC BAY MANUFACTURES

H	REAR CABLED MTP PN #	FRONT CABLED MTP PN #
12	R7R012230-x	R7R012230A-x
24	R7R024230-x	R7R024230A-x
54	R7R054230-x	R7R054230A-x
56	R7R056230-x	R7R056230A-x

(04/28/23)

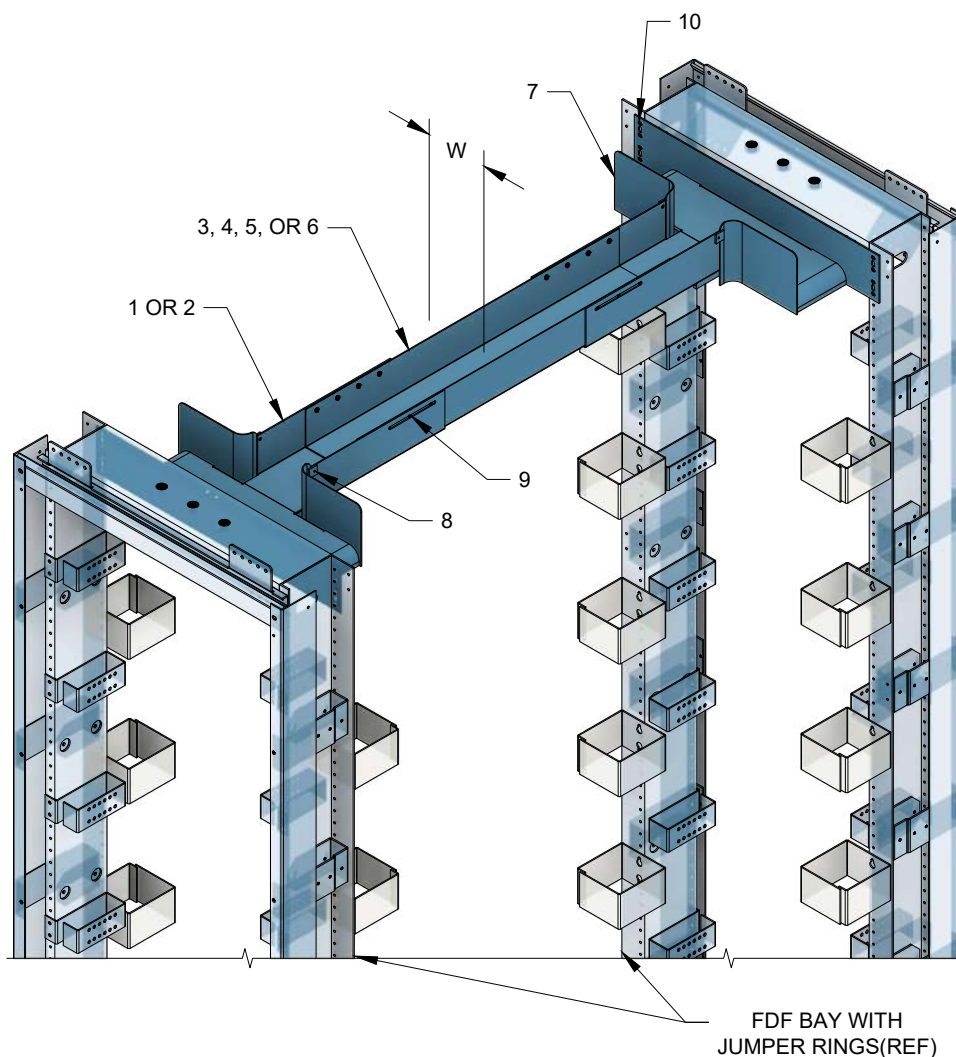


Moreng Telecom Products
973-237-2001
www.morengtel.com

CROSS AISLE TROUGH KITS (FRONT OF FDF)

REAR TROUGHS ALSO AVAILABLE

AISLE WIDTHS ARE MEASURED FROM
FRONT TO FRONT OF GUARD RAILS &
ASSUME THAT GUARD RAILS ARE 5" DEEP



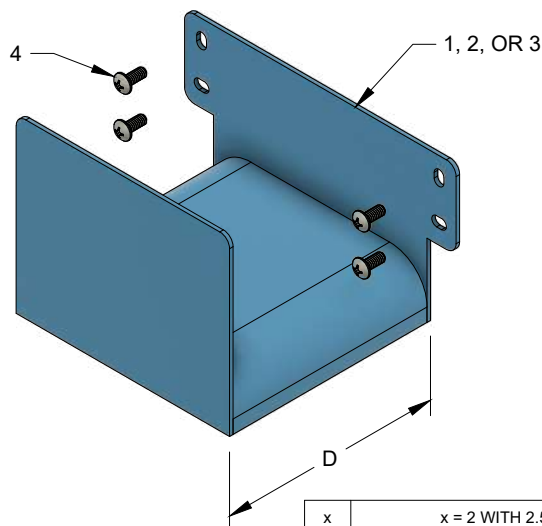
ITEM	DESCRIPTION	w			
		5"	10"	5"	10"
AISLE WIDTH		29" TO 41"	29" TO 41"	42" TO 50"	42" TO 50"
		R8CTX3005	R8CTX3010	R8CTX4805	R8CTX4810
1	5" AISLE TROUGH	2		2	
2	10" AISLE TROUGH		2		2
3	21" X 5" CROSS TROUGH	1			
4	21" X 10" CROSS TROUGH		1		
5	30" X 5" CROSS TROUGH			1	
6	30" X 10" CROSS TROUGH				1
7	END TROUGH	2	2	2	2
8	10-32 x 3/8" SHCS, ZC	4	4	4	4
9	10-32 x 1/4" PHMS, ZC	20	20	20	20
10	12-24 x 5/16" PHMS, ZC	20	20	20	20

(04/27/23)



Moreng Telecom Products
973-237-2001
www.morengtel.com

FDF BAY SPACER ACCESSORIES TOP JUMPER SUPPORT BRACKET WITH HARDWARE



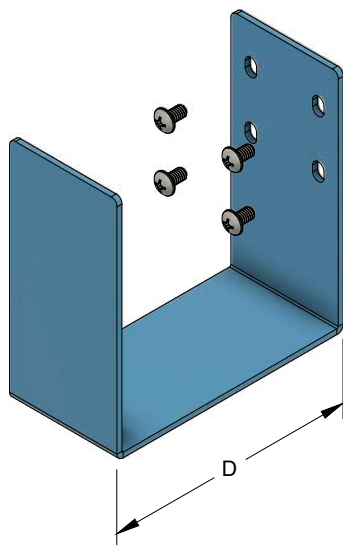
MATERIAL: 0.090 CRS

FINISH: NETWORK BLUE

x = SPACE BETWEEN BAYS

ITEM	DESCRIPTION	x = 2 WITH 2.5" SPACER OR = 5 WITH 5" SPACER		
		LGX-906SPxK	LGX-90608SPxK	LGX-90610SPxK
1	5" DEEP JUMP SUPPORT BRACKET	1		
2	8" DEEP JUMP SUPPORT BRACKET		1	
3	10" DEEP JUMP SUPPORT BRACKET			1
4	12-24 x 1/2" PHMS, ZC	6	6	6

FDF BAY SPACER ACCESSORIES BASE TROUGH WITH HARDWARE



MATERIAL: 0.105 CRS

FINISH: NETWORK BLUE

x = SPACE BETWEEN BAYS

ITEM	DESCRIPTION	x = 2 WITH 2.5" SPACER OR = 5 WITH 5" SPACER		
		LGX-907SPxK	LGX-90708SPxK	LGX-90710SPxK
1	5" DEEP JUMP SUPPORT BRACKET	1		
2	8" DEEP JUMP SUPPORT BRACKET		1	
3	10" DEEP JUMP SUPPORT BRACKET			1
4	12-24 x 3/8" PHMS, ZC	4	4	4

(04/27/23)



Moreng Telecom Products
973-237-2001
www.morengtel.com

FIBER MANAGEMENT & PROTECTION

MORENG TELECOM'S FIBER MANAGEMENT

- 2" SIDE BAR CABLE RACK FOR THE BACKBONE OF IT'S FIBER MANAGEMENT SYSTEM
- ALL STEEL ACCESSORY FITTINGS
- OPTIONAL FINISHES(SEE BELOW)

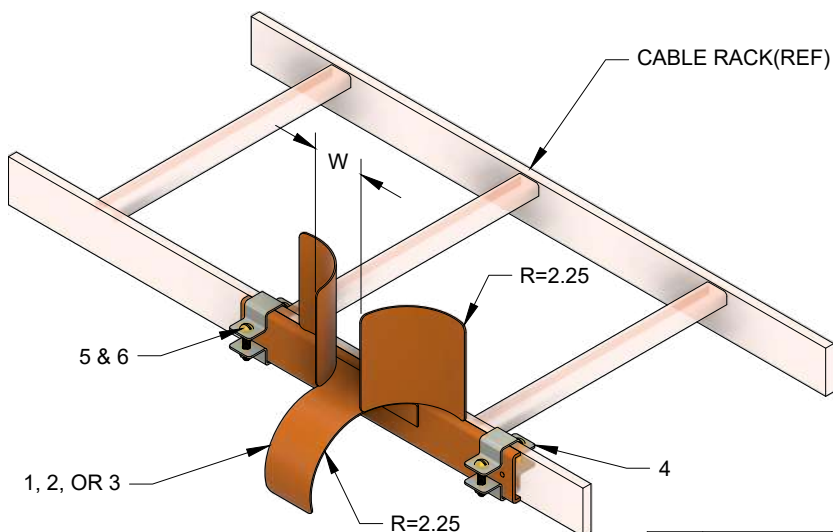
OPTIONAL FINISHES AVAIABLE FOR ALL FIBER MANAGEMENT HARDWARE

ADD THE FOLLOWING TO PART #:

- 1 MTP GRAY
- 4 FIBER WHITE
- 8 SAFETY ORANGE
- 9 FIBER RED
- 10 FIBER YELLOW



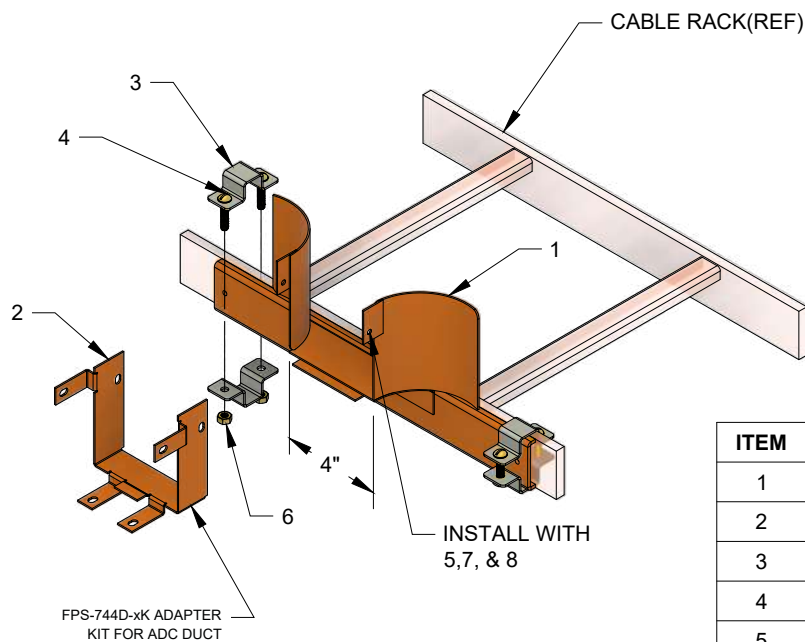
VERTICAL 90 DEG TURN



ITEM	PART #	DESCRIPTION	W	2"	4"	8"
			FPS-602-x	FPS-604-x	FPS-608-x	
1	FPS-612-x	2" VERTICAL TURN BRACKET	1			
2	FPS-614-x	4" VERTICAL TURN BRACKET		1		
3	FPS-618-x	8" VERTICAL TURN BRACKET				1
4	FPS-523-S	CLAMP WITH PLATING	4	4	4	4
5	MRC02520125Y	1/4-20 x 1-1/4" RHMS, ZY	4	4	4	4
6	NHC02520Y	1/4-20 HEX NUT, ZY G5	4	4	4	4

FINISH: SEE 8-31 FOR OPTIONS

TRANSITION TO PLASTIC FIBER GUIDE (PANDUIT AND ADC)



ITEM	DESCRIPTION	FPS-704D-x
1	4" ADC ADAPTER	1
2	4" ADC ADAPTER KIT	1
3	CLAMP WITH PLATING	4
4	1/4-20 x 1-1/4" RHMS, ZY	4
5	8-32 x 5/16" PHMS, ZY	2
6	1/4-20 HEX NUT, ZY G5	4
7	8-32 HEX NUT, ZY	2
8	#8 SPRING LOCK WASHER, ZY	2

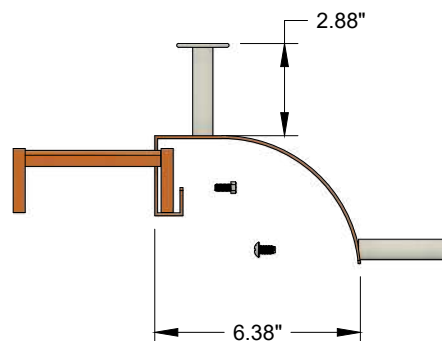
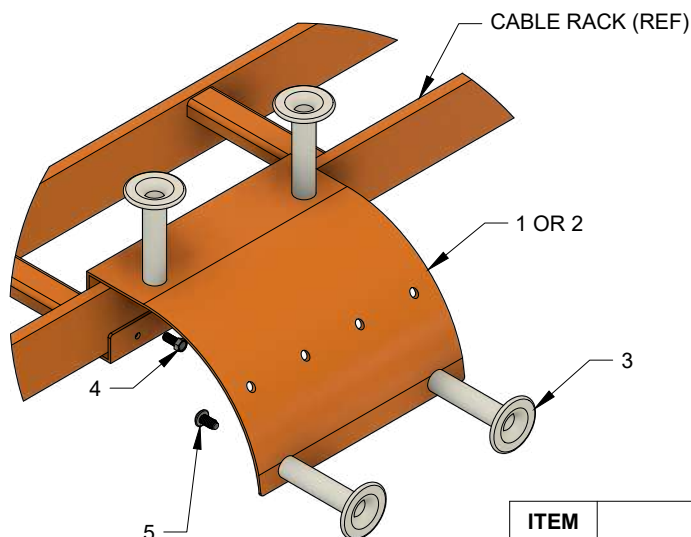
FINISH: SEE 8-31 FOR OPTIONS

(04/27/23)



Moreng Telecom Products
973-237-2001
www.morengtel.com

FIBER TRANSITION ASSEMBLY (STANDARD)

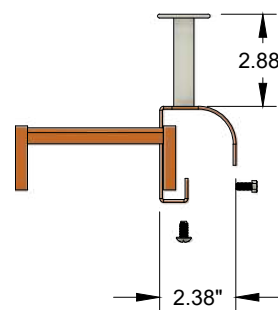
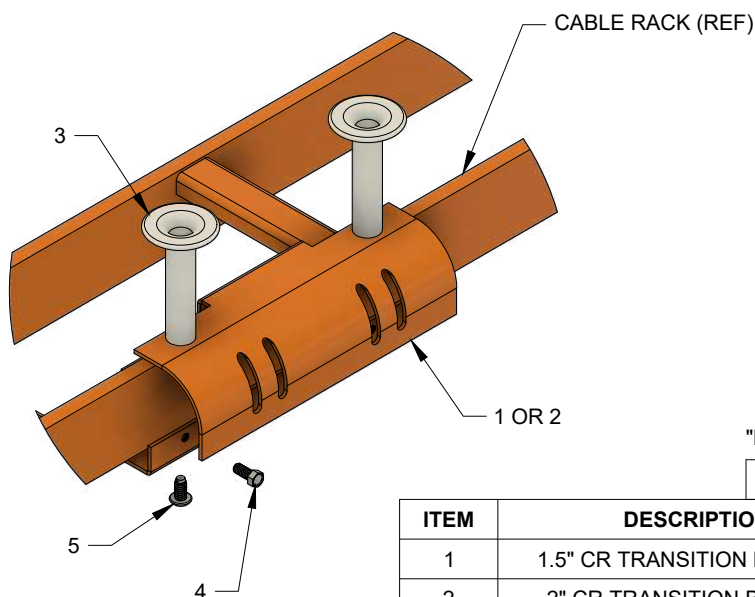


"D" IS DEPTH OF CABLE RACK SIDE BAR

		D	1-1/2"	2"
ITEM	DESCRIPTION	FPS-801-x	FPS-802-x	
1	1.5" CR TRANSITION BRACKET	1		
2	2" CR TRANSITION BRACKET		1	
3	DISTRIBUTION POST	4	4	
4	12-24 x 1/2" HEX BOLT, ZC	2	2	
5	1/4-20 x 1/2" PHMS SELF TAP, ZC	4	4	

FINISH: SEE 8-31 FOR OPTIONS

FIBER TRANSITION ASSEMBLY (SMALL RADIUS)



"D" IS DEPTH OF CABLE RACK SIDE BAR

		D	1-1/2"	2"
ITEM	DESCRIPTION	FPS-821-x	FPS-822-x	
1	1.5" CR TRANSITION BRACKET	1		
2	2" CR TRANSITION BRACKET		1	
3	DISTRIBUTION POST	2	2	
4	12-24 x 1/2" HEX BOLT, ZC	2	2	
5	1/4-20 x 1/2" PHMS SELF TAP, ZC	2	2	

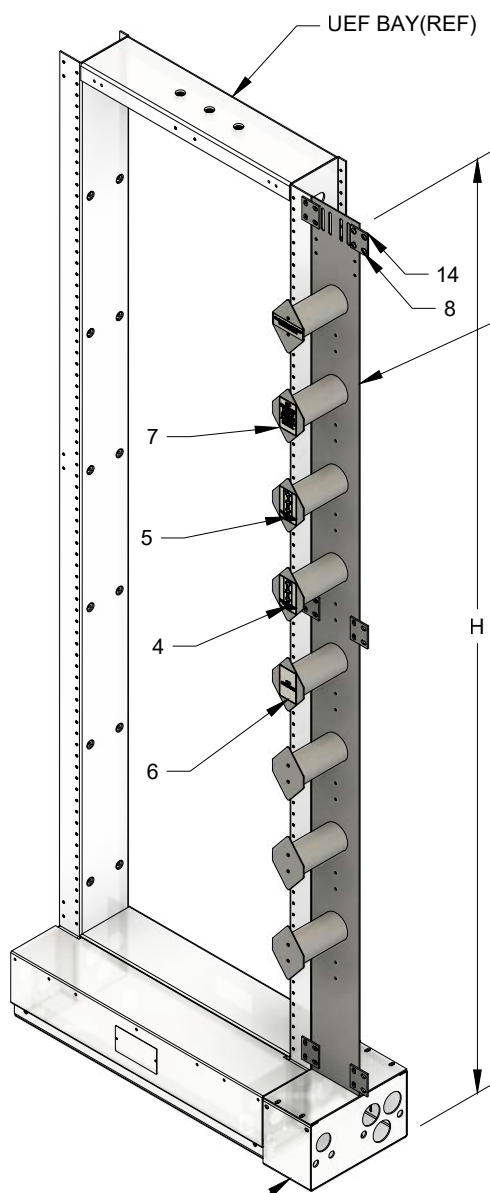
FINISH: SEE 8-31 FOR OPTIONS

(04/28/23)



Moreng Telecom Products
973-237-2001
www.morengtel.com

UEF BAY SPACERS FIBER STORAGE PANEL KITS - NO BASES



BASE FILLER (REF)
(SEE A5SP SERIES)

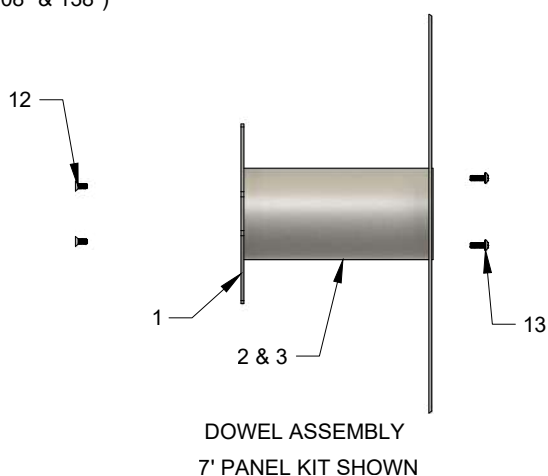
MATERIAL: CARBON STEEL & PLASTIC

FINISH:

- x = 1 : MTP GRAY
- x = 3 : NETWORK BLUE
- x = 4 : OFF WHITE

FOR UEF BAYS (6" HIGH BASE) WITH
REAR ACCESS

9
(10 & 11 ADDED FOR
HEIGHTS 108" & 138")



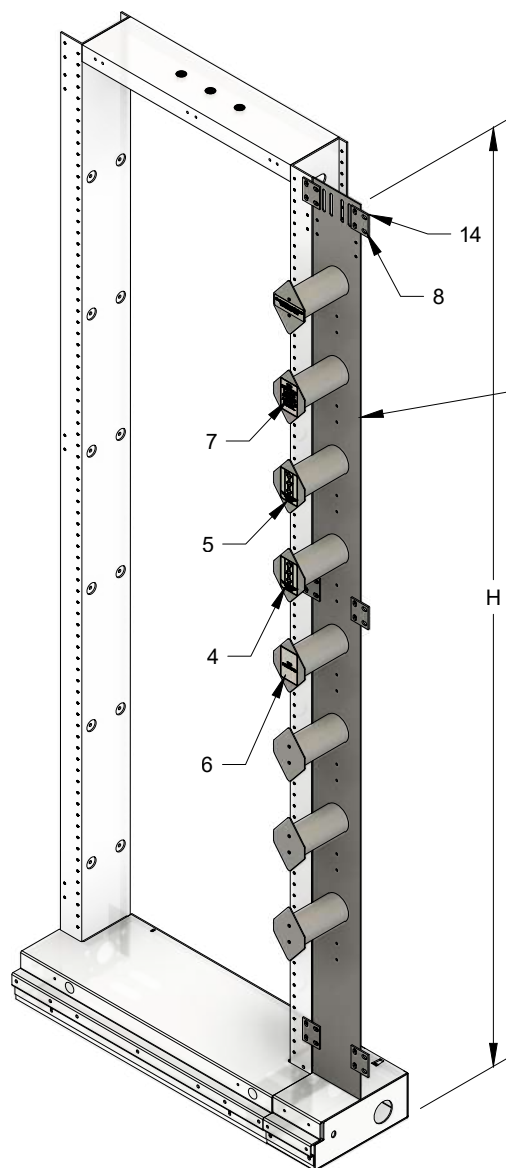
		H	84"	108"	138"
ITEM	DESCRIPTION		R4FP08405R-x	R4FP10805R-x	R4FP13805R-x
1	RETAINER PLATE		8	10	13
2	5" SPOOL		8	10	13
3	SUPPORT 5" BRACKET		8	10	13
4	LABEL (PREFERRED ROUTING)		1	1	1
5	LABEL (PREFERRED ROUTING)		1	1	1
6	LABEL (NO FIGURE 8s)		1	1	1
7	LABEL (NO MULTIPLE LOOPS)		1	1	1
8	JUNCTION PLATE		6	10	10
9	84" FIBER STORAGE PANEL		1	1	1
10	24" FIBER STORAGE PANEL			1	
11	54" FIBER STORAGE PANEL				1
12	6-32 x 5/16" FHMS, ZC		16	20	26
13	6-32 x 3/8" PHMS, ZC		16	20	26
14	12-24 x 5/16" PHMS, ZC		24	40	40

(12/06/24)

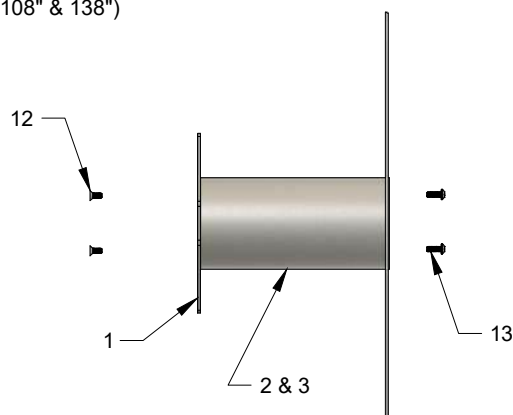


Moreng Telecom Products
973-237-2001
www.morengtel.com

NETWORK BAY SPACERS FIBER STORAGE PANEL KITS - NO BASES



9
(10 & 11 ADDED FOR
HEIGHTS 108" & 138")



DOWEL ASSEMBLY
7' PANEL KIT SHOWN

MATERIAL: CARBON STEEL & PLASTIC

FINISH:

- x = 1 : MTP GRAY
- x = 3 : NETWORK BLUE
- x = 4 : OFF WHITE

FOR NETWORK BAYS WITH REAR ACCESS

		H	84"	108"	138"
ITEM	DESCRIPTION	R8FP08405R-x	R8FP10805R-x	R8FP13805R-x	
1	RETAINER PLATE	8	10	13	
2	5" SPOOL	8	10	13	
3	SUPPORT 5" BRACKET	8	10	13	
4	LABEL (PREFERRED ROUTING)	1	1	1	
5	LABEL (PREFERRED ROUTING)	1	1	1	
6	LABEL (NO FIGURE 8s)	1	1	1	
7	LABEL (NO MULTIPLE LOOPS)	1	1	1	
8	JUNCTION PLATE	6	10	10	
9	84" FIBER STORAGE PANEL	1	1	1	
10	24" FIBER STORAGE PANEL		1		
11	54" FIBER STORAGE PANEL			1	
12	6-32 x 5/16" FHMS, ZC	16	20	26	
13	6-32 x 3/8" FHMS, ZC	16	20	26	
14	12-24 x 5/16" PHMS, ZC	24	40	40	

(12/06/24)



Moreng Telecom Products
973-237-2001
www.morengtel.com

FIBER OPTIC STORAGE KIT

UNIVERSAL - REMOTE UNIT

2 OR 3 RUs (1.75 OR 2.00)

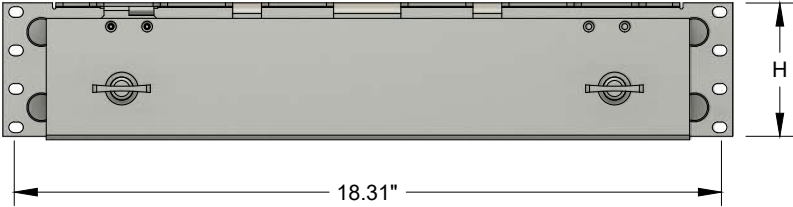
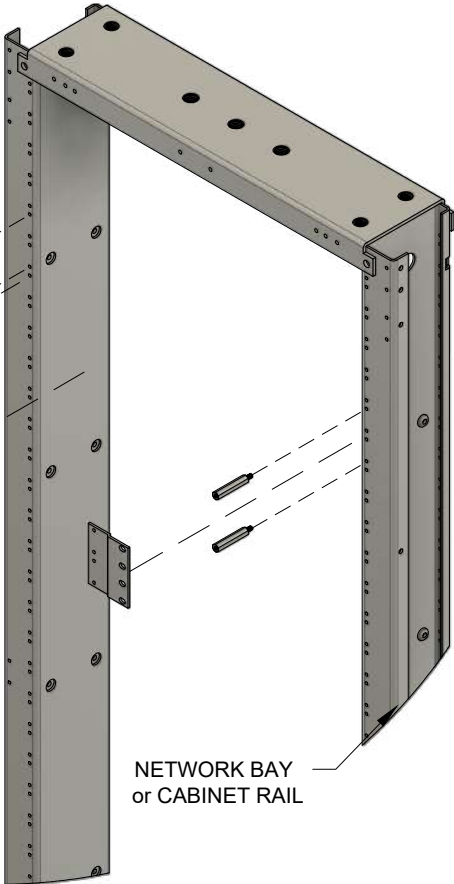
QW1305-D9K4 STANDOFF KIT
 REQUIRED ONLY IF NEEDED TO REMOVE
 CARDS BELOW(MC 1265319)
 (NOT INCLUDED IN FOB KIT)
 ITEM 8

5,OR 6
 FOR 23" BAYS

1 OR 2

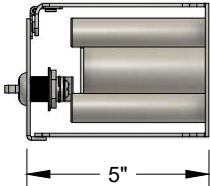
3 OR 4

7 OR 9
 USED TO
 ASSEMBLE



RUs	H	MTP PN #
2	3.47	QW1305
3	5.47	QW1306

MTP GRAY FINISH
 *ADD "B" FOR BLACK FINISH



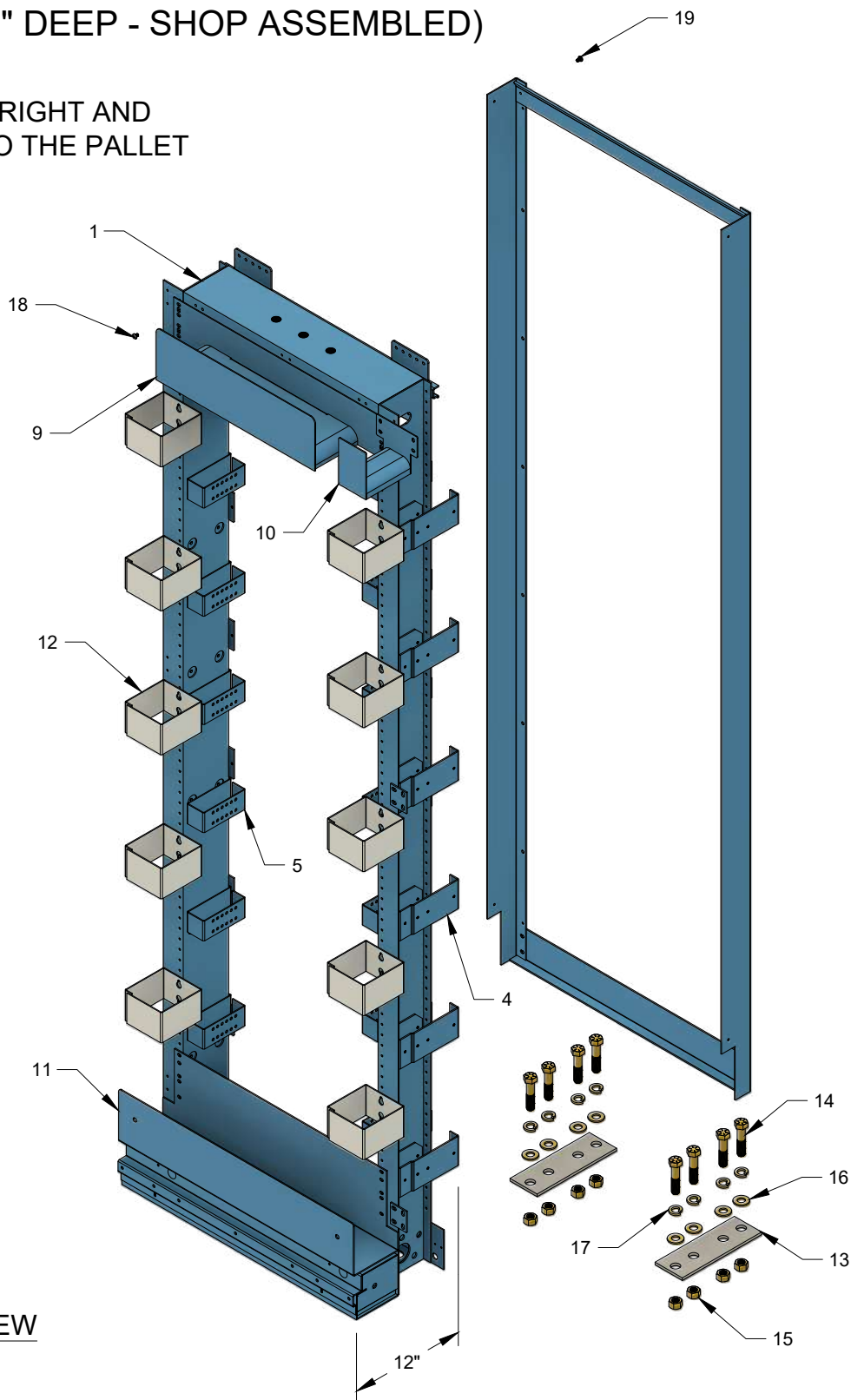
ITEM	DESCRIPTION	QW1305	QW1305-D9K4	QW1306
1	HOUSING ASSEM (2 RU)	1		
2	HOUSING ASSEM (3 RU)			1
3	DOOR ASSEM (2 RU)	1		
4	DOOR ASSEM (3 RU)			1
5	MTG ADAPTER KIT (2 RU)	1		
6	MTG ADAPTER KIT (3 RU)			1
7	12-24 x 1/2 PHMS	4		4
8	STANDOFF (1.56)		4	
9	12-24 x 3/8 PHMS		4	
10	1/4" FLAT WASHER		4	

(04/28/23)



FIBER DISTRIBUTION BAYS (FOT - 12" DEEP - SHOP ASSEMBLED)

*SHIPS UPRIGHT AND
BOLTED TO THE PALLET



FRONT VIEW

SHEET 1 OF 2

REAR VIEW ON SHEET 2

ITEM LIST ON SHEET 2

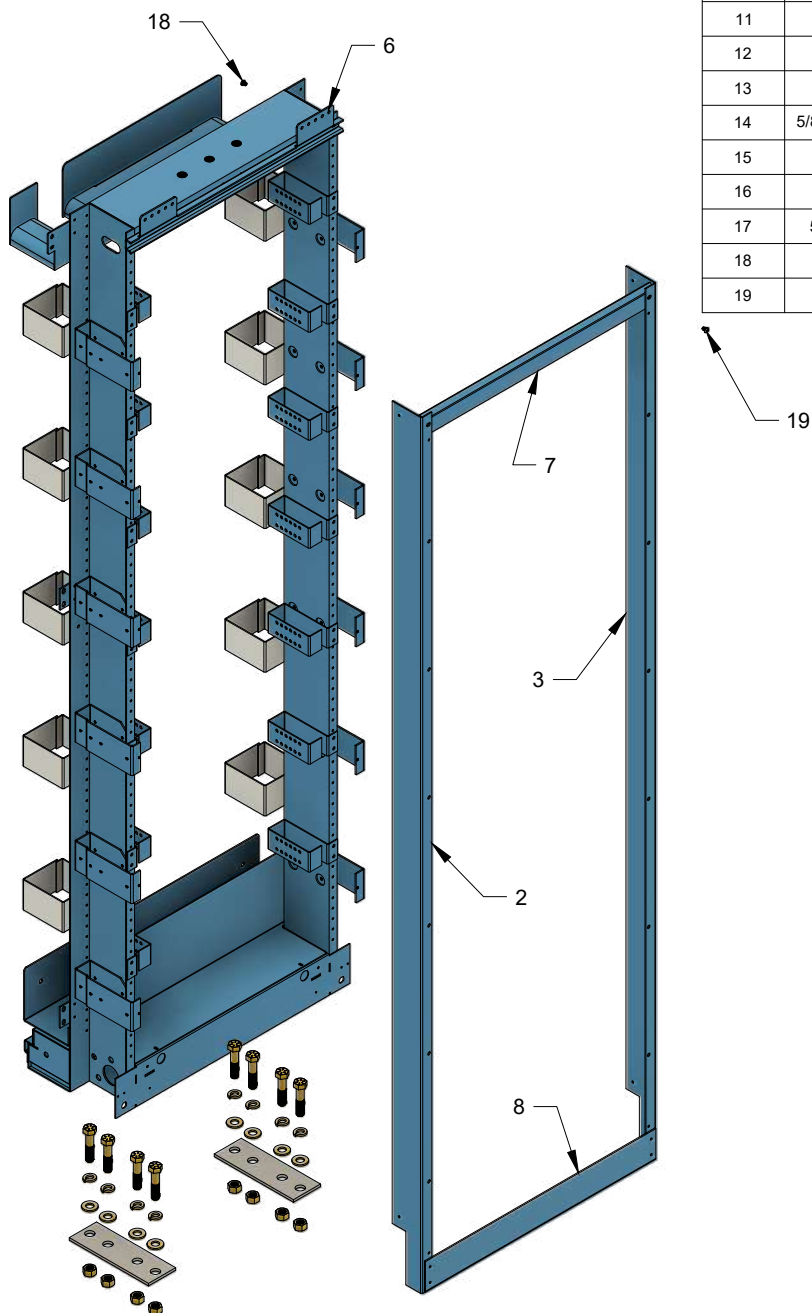
R8LG084R-3A

(04/27/23)



Moreng Telecom Products
973-237-2001
www.morengtel.com

FIBER DISTRIBUTION BAYS (FOT - 12" DEEP - SHOP ASSEMBLED)



ITEM	DESCRIPTION	R8LG084R-3A
1	NETWORK BAY KIT, SEE 5-04	1
2	LEFT UPRIGHT	1
3	RIGHT UPRIGHT	1
4	12" BRACKET	14
5	12" BRACKET	12
6	CABLE TIE BAR(SEISMIC)	1
7	TOP PLATE	1
8	BOTTOM PLATE	1
9	UPPER TROUGH	1
10	JUMP SUPPORT BRACKET	1
11	LOWER TROUGH	1
12	RING BRACKET KIT	10
13	HOLD DOWN PLATE	2
14	5/8-11 x 2-3/4" HEX BOLT, ZY G5	8
15	5/8-11 HEX NUT, ZY G5	8
16	5/8" FLAT WASHER, ZY	8
17	5/8" SPRING LOCK WASHER	8
18	12-24 x 5/16" PHMS, ZC	94
19	12-24 x 3/8" PHMS, ZC	12

REAR VIEW
SHEET 2 OF 2

R8LG084R-3A

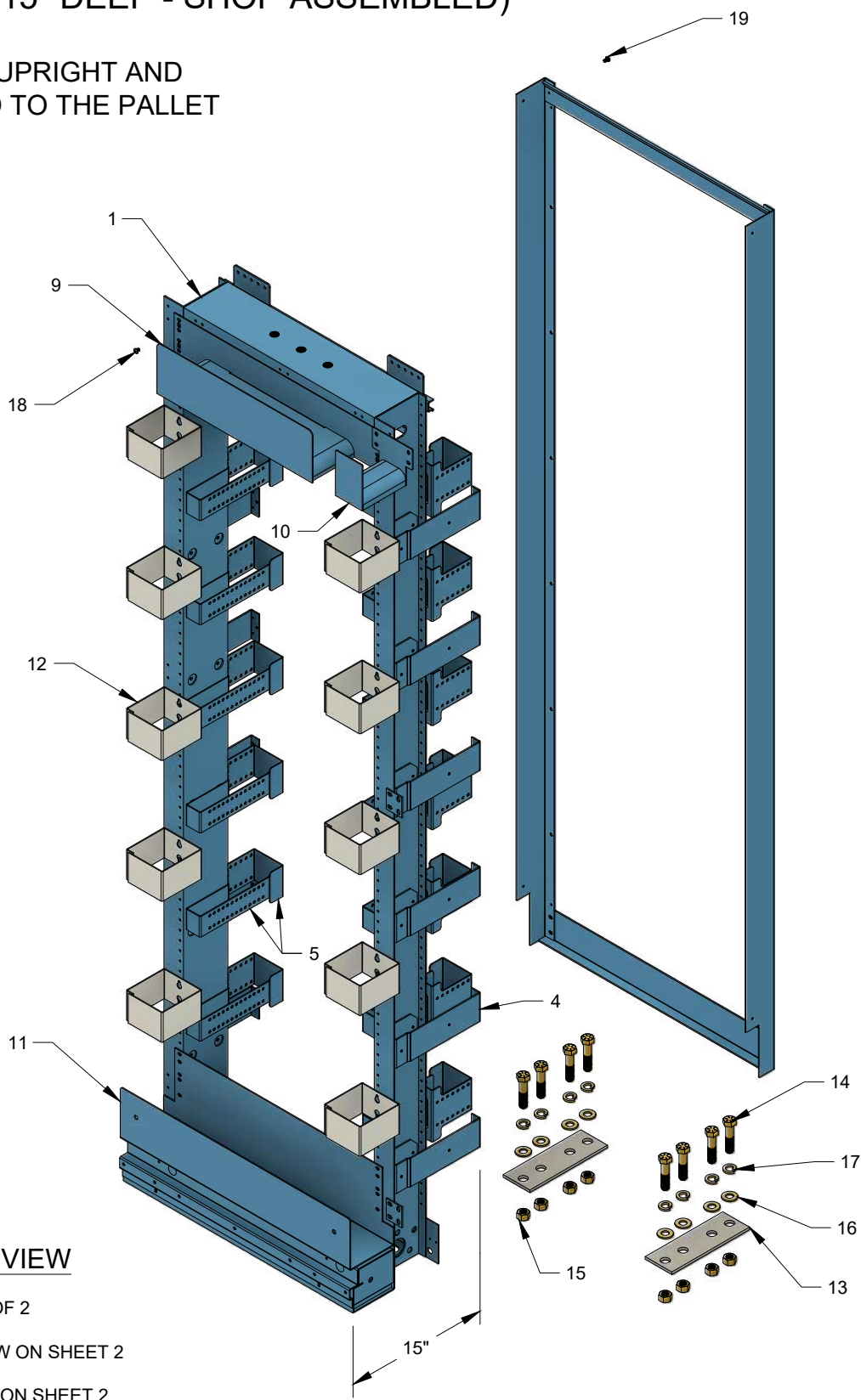
(04/27/23)



Moreng Telecom Products
973-237-2001
www.morengtel.com

FIBER DISTRIBUTION BAYS (FOT - 15" DEEP - SHOP ASSEMBLED)

*SHIPS UPRIGHT AND
BOLTED TO THE PALLET



FRONT VIEW

SHEET 1 OF 2

REAR VIEW ON SHEET 2

ITEM LIST ON SHEET 2

(04/27/23)

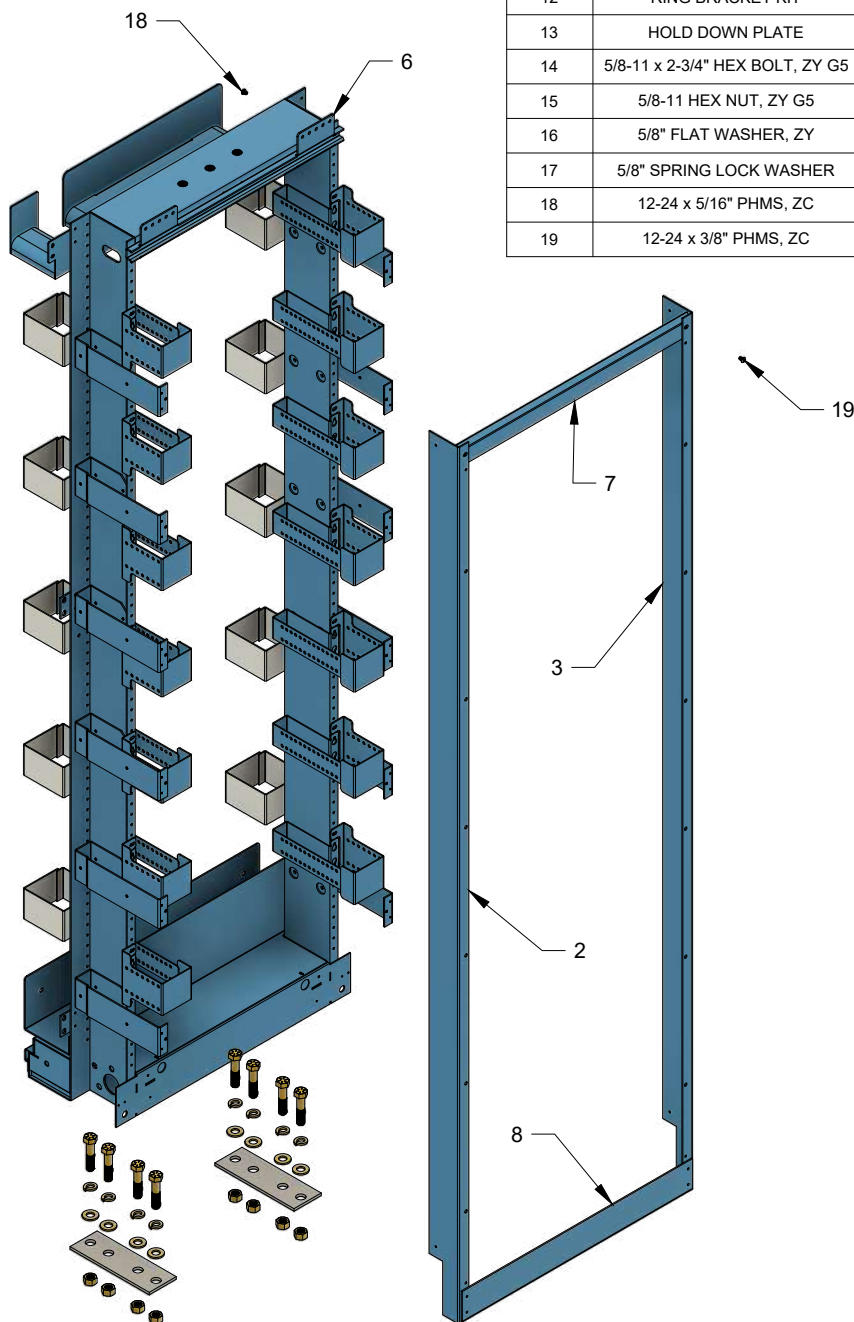
R8LG084R15-3A



Moreng Telecom Products
973-237-2001
www.morengtel.com

FIBER DISTRIBUTION BAYS (FOT - 15" DEEP - SHOP ASSEMBLED)

ITEM	DESCRIPTION	R8LG084R15-3A
1	NETWORK BAY KIT, SEE 5-04	1
2	LEFT UPRIGHT	1
3	RIGHT UPRIGHT	1
4	15" BRACKET	14
5	15" BRACKET KIT	12
6	CABLE TIE BAR(SEISMIC)	1
7	TOP PLATE	1
8	BOTTOM PLATE	1
9	UPPER TROUGH	1
10	JUMP SUPPORT BRACKET	1
11	LOWER TROUGH	1
12	RING BRACKET KIT	10
13	HOLD DOWN PLATE	2
14	5/8-11 x 2-3/4" HEX BOLT, ZY G5	8
15	5/8-11 HEX NUT, ZY G5	8
16	5/8" FLAT WASHER, ZY	8
17	5/8" SPRING LOCK WASHER	8
18	12-24 x 5/16" PHMS, ZC	72
19	12-24 x 3/8" PHMS, ZC	7



REAR VIEW

SHEET 2 OF 2

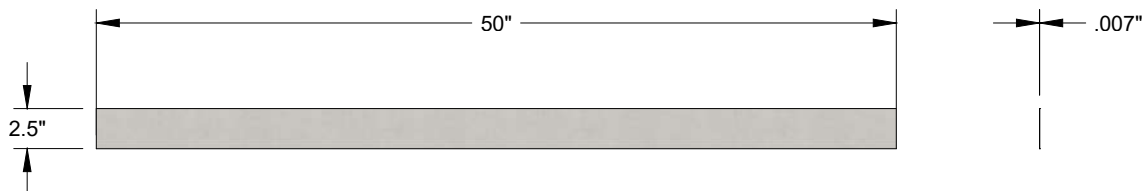
R8LG084R15-3A

(04/27/23)



Moreng Telecom Products
973-237-2001
www.morengtel.com

FISH PAPER: VULCANIZED FIBER WEATHERPROOF/ELECTRICAL INSULATION



MATERIAL: CELLULOSE
FINISH: MTP GRAY

PROPERTIES:

- Robust Mechanical Durability
- Exceptional Thermal Stability
- Light Weight
- Superior Electrical Insulation
- Strong Tear-Resistant Properties
- Can be Processed with Standard Tools

Applications:

- Electrical Insulation:** Provides insulation between electrical components in network and telecom equipment, preventing short circuits and electrical faults.
- Cable Separation:** Used to separate and protect bundles of cables in tight enclosures, reducing wear and abrasion.
- Component Gaskets:** Acts as a gasket material in electrical enclosures and cabinets to maintain insulation and seal gaps.
- Dielectric Barriers:** Serves as a dielectric barrier between conductive parts in high-voltage equipment.
- Arc Suppression:** Helps suppress electrical arcing in switches, relays, and connectors, enhancing safety and reliability
- Layering in Transformers:** Used to separate windings in transformers, ensuring effective insulation and reducing heat buildup.
- Mounting and Spacing Material:** Provides structural support and spacing between sensitive components while maintaining electrical isolation.

*AVAILABLE IN SHEETS AT 2.5" X 50"

GP-M-02550

(09/17/24)



Moreng Telecom Products
973-237-2001
www.morengtel.com

MISCELLANEOUS

- COPPER BAR

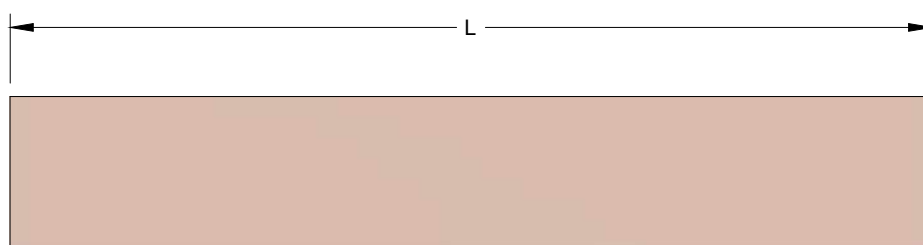
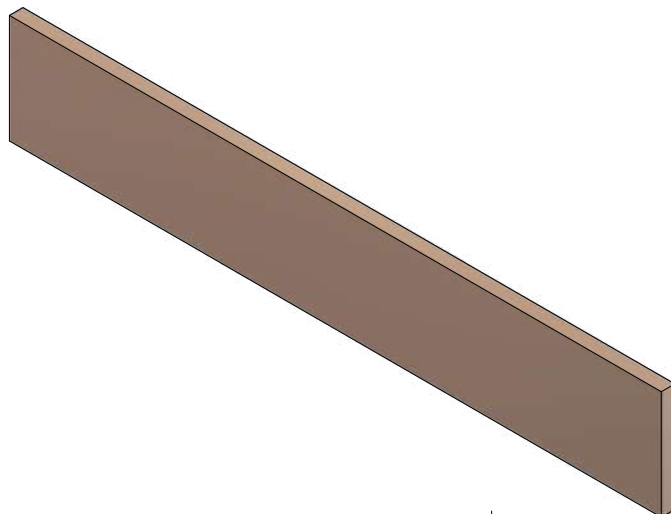
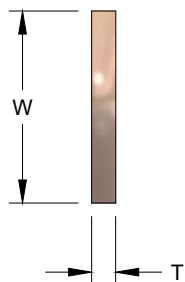
-CABLE HOLES

-BATTERY BAYS

-TOUCH UP



COPPER BUS BAR



MATERIAL: COPPER ALLOY BUS BAR

FINISH: BRUSHED

OPTIONS:

-MAY BE ORDERED TO ANY SIZE BY
SPECIFYING
THE FOLLOWING PART NUMBER

BCU TTTWWWLLL

IN WHICH: (ALL NUMBERS IN INCHES)

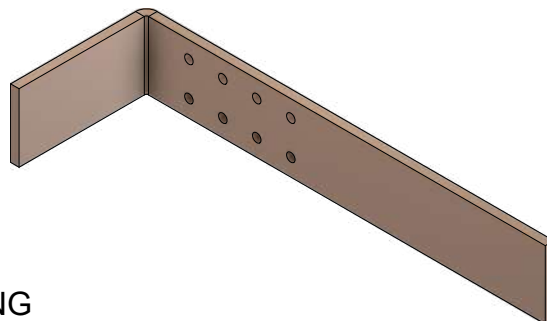
TTT = THICKNESS (EX. 1/4" = 025)

WWW = WIDTH (EX: 4" = 400)

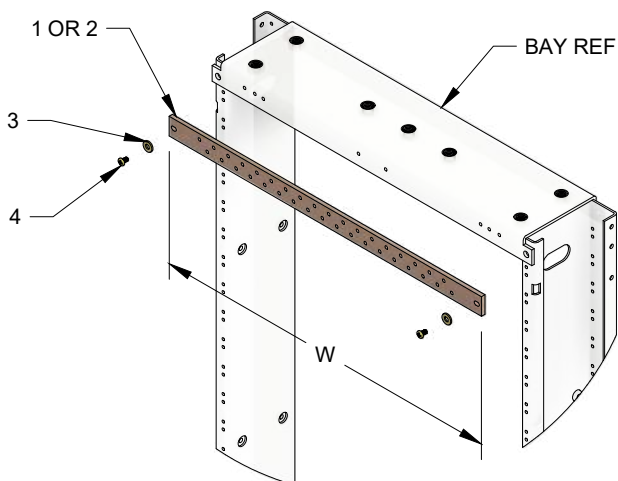
LLL = LENGTH (EX: 96" = 096)

EXAMPLE: BCU025400096 = 1/4" x 4" x 96"

-PROVIDE A SKETCH IF DRILLING/PUNCHING
HOLE AND LUG PATTERNS ARE REQUIRED.
CUSTOM BARS WITH BENDS CAN BE CREATED
AS WELL



BAY OR CABINET GROUND BAR KIT: 1/4 x 1-1/4

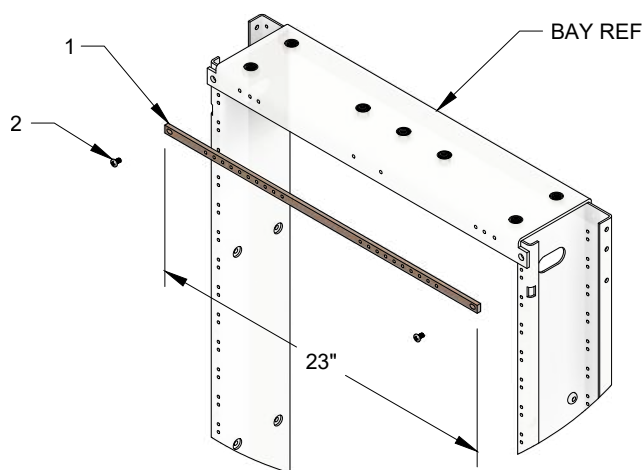


Notes:

- 1) MATERIAL: 1/4 x 1-1/4 COPPER BAR
- 2) 1/4-20 TAPPED HOLES ON 3/4" CENTERS FOR SMALL WIRE LUGS
- 3) BRUSHED FINISH
- 4) HARDWARE TO MOUNT BAR Included
- 5) MOUNTS TO FRONT OR BACK

		W	19"	23"
ITEM	DESCRIPTION	CTL1504-D2K	CTL1504-D1K	
1	GROUND BAR - 19"	1		
2	GROUND BAR - 23"			1
3	#12 FLAT WASHER ZY	2	2	
4	12-24 X 1/2 PHMS ZY	2	2	

BAY OR CABINET GROUND BAR KIT: 1/4 x 1/2



Notes:

- 1) MATERIAL: 1/4 x 1/2 COPPER BAR
- 2) 12/-24 TAPPED HOLES FOR SMALL WIRE LUGS
- 3) BRUSHED FINISH
- 4) HARDWARE TO MOUNT BAR INCLUDED
- 5) MOUNTS TO FRONT OR BACK

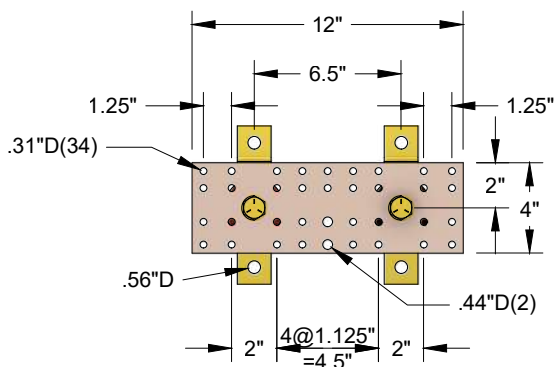
ITEM	DESCRIPTION	CC-GB-2302K
1	GROUND BAR - 23"	1
4	TYPE F 12-24 X 3/8 PHMS ZC	2

(03/12/24)

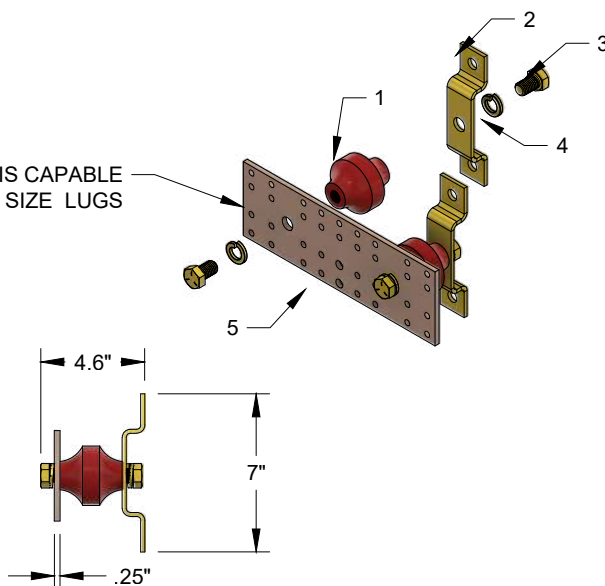


Moreng Telecom Products
973-237-2001
www.morengtel.com

BUS BAR KIT 4" X 12"



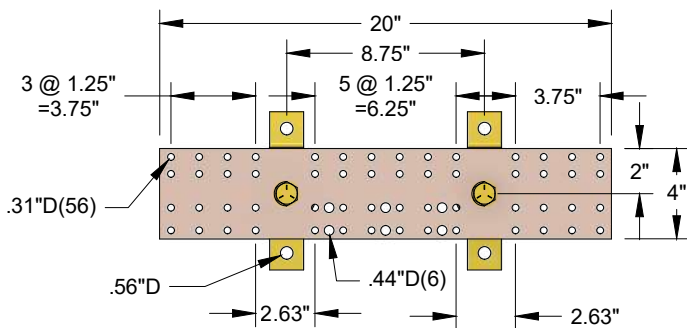
THIS BAR IS CAPABLE OF 3 SIZE LUGS



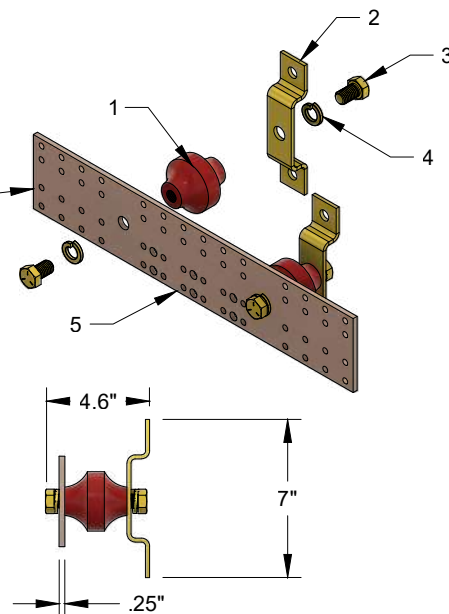
MATERIAL: COPPER ALLOY
BRACKETS: STEEL

ITEM	DESCRIPTION	CC-GB-412K
1	INSULATOR STAND-OFF (5/8)	1
2	WALL MTG BRACKET	2
3	5/8-11 X 1" HEX HEAD BOLT ZY	4
4	5/8 SPRING LOCK WASHER ZY	4
5	BUS BAR (4" X 12")	1

BUS BAR KIT 4" X 20"



THIS BAR IS CAPABLE OF 3 SIZE LUGS

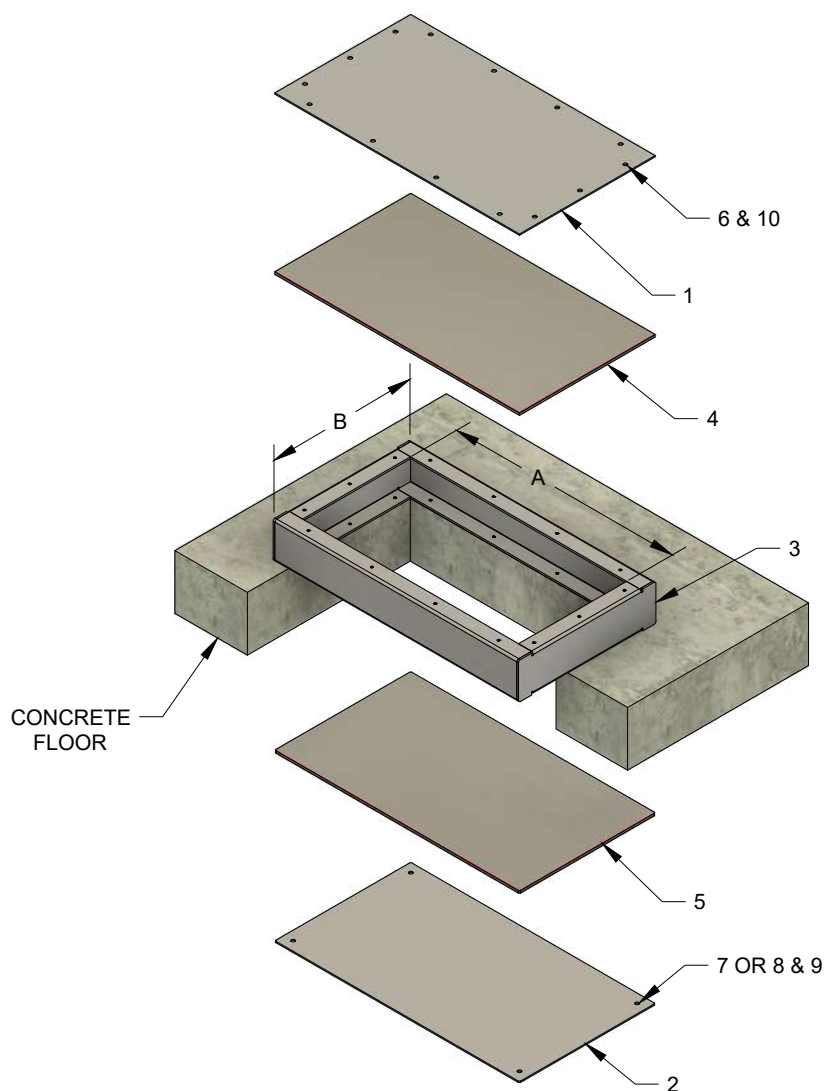


MATERIAL: COPPER ALLOY
BRACKETS: STEEL

ITEM	DESCRIPTION	CC-GB-420K
1	INSULATOR STAND-OFF (5/8)	1
2	WALL MTG BRACKET	2
3	5/8-11 X 1" HEX HEAD BOLT ZY	4
4	5/8 SPRING LOCK WASHER ZY	4
5	BUS BAR (4" X 20")	1



CABLE HOLE SHEATHINGS HOLE THRU CONCRETE FLOOR



NOTES:

- MATERIAL: CARBON STEEL
- FINISH: MTP GRAY
- ALL MOUNTING HARDWARE IS INCLUDED TO MOUNT TO PRE-TAPPED FRAME (INSTALLER TO DRILL BOTTOM FLANGE OF SHEATHING TO MATCH)

ORDERING NOTES:

- SPECIFY A AND B DIMS
- ORDER CHS-100F IF 3-M SHEETS ARE NEEDED

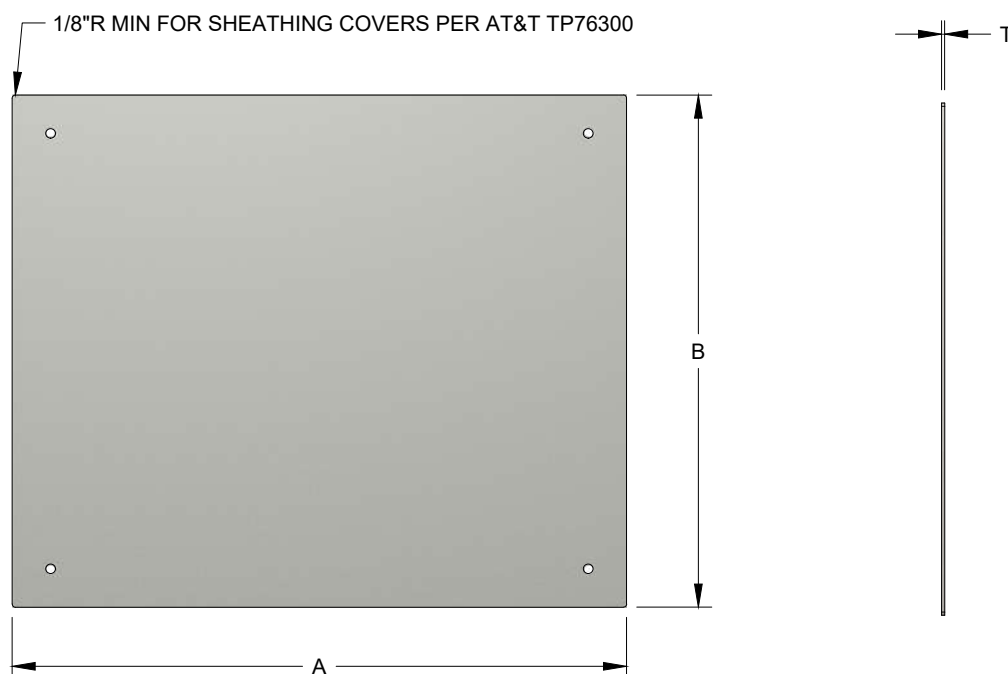
ITEM	DESCRIPTION	CHS-100	CHS-100F
1	COVER	1	1
2	CABLE HOLE PLATE	1	1
3	FRAME ASSEMBLY	1	1
4	1/4" 3-M FIRE STOP SHEET		1
5	1/4" 3-M FIRE STOP SHEET		1
6	1/4-20 x 3/4" HHCS, ZY G5	VARIABLE	VARIABLE
7	3/8-16 x 1/2" HHCS, ZY G5	VARIABLE	VARIABLE
8	3/8-16 x 7/8" HHCS, ZY G5	VARIABLE	VARIABLE
9	3/8" BEVEL WASHER, ZY	VARIABLE	VARIABLE
10	5/16" FLAT WASHER, ZY	VARIABLE	VARIABLE

(04/27/23)



Moreng Telecom Products
973-237-2001
www.morengtel.com

CABLE HOLE COVERS



MATERIAL: CARBON STEEL

FINISH: MTP GRAY

OPTIONS:

-3-M FIRE BARRIER SHEET MAY BE ADDED
BY ADDING F TO PART #

-MAY BE ORDERED TO ANY SIZE BY SPECIFYING
THE FOLLOWING PART # AND SIZES:

LOCATION	PART #	A	B	T
FLOOR	CHC-200 OR CHC-200F	PER ORDER	PER ORDER	0.112
CEILING	CHC-200 OR CHC-200F	PER ORDER	PER ORDER	0.112
WALL	CWC-200 OR CWC-200F	PER ORDER	PER ORDER	0.060

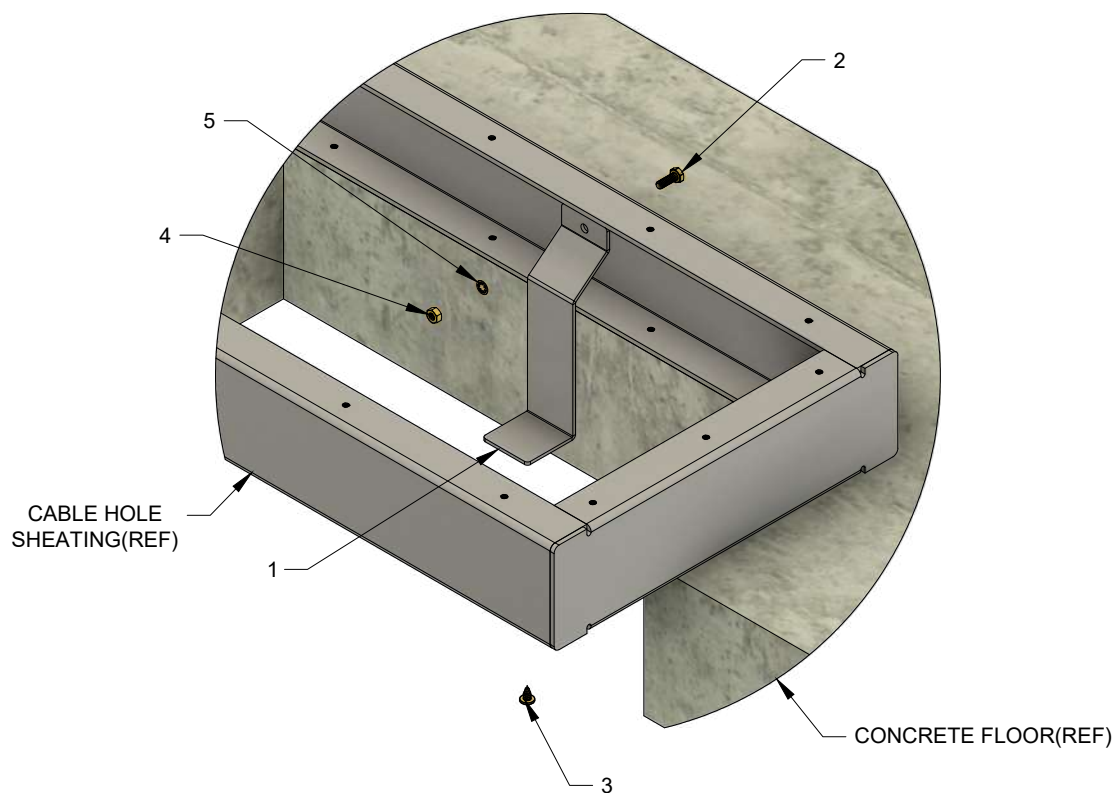
NOTES:
THESE PLATES ARE FURNISHED AND DRILLED WITH
CHS100, CHS100F, CWS100 AND CWS100F KITS

(04/27/23)



Moreng Telecom Products
973-237-2001
www.morengtel.com

CABLE HOLE STIRRUPS (SUPPORTING DROP IN COVER)



NOTES:

- MATERIAL: CARBON STEEL
- FINISH: MTP GRAY
- ALL MOUNTING HARDWARE IS INCLUDED TO MOUNT TO PRE-TAPPED FRAME
(INSTALLER TO DRILL BOTTOM FLANGE OF SHEATHING TO MATCH)

ORDERING NOTES:

- 5 KITS REQUIRED FOR 12" x 24" HOLE - PART # CHS-405K5
- 7 KITS REQUIRED FOR 24" x 24" HOLE - PART # CHS-405K7
- LOCATE STIRRUPS NO GREATER THAN 12" APART

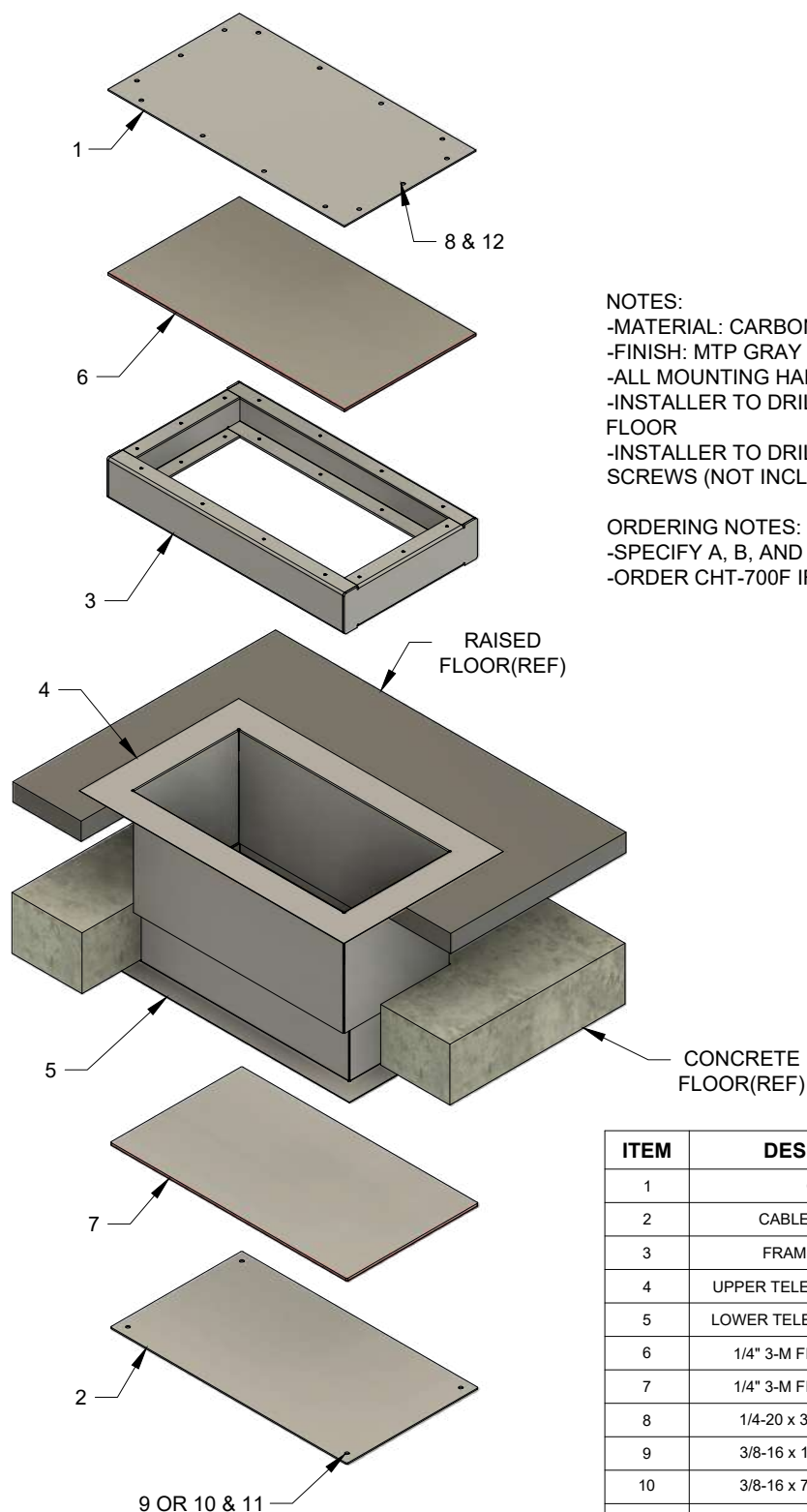
ITEM	DESCRIPTION	CHS-405K
1	5" CABLE HOLE STIRRUP	1
2	1/4-20 x 3/4" HHCS, ZY G5	1
3	#14 x 1/2" PAN HEAD SMS	1
4	1/4-20 HEX NUT, ZY G5	1
5	1/4" INTERNAL LOCK WASHER, ZY	1

(04/27/23)



Moreng Telecom Products
973-237-2001
www.morengtel.com

CABLE HOLE SHEATHINGS (HOLE THROUGH RAISED FLOOR)



NOTES:
 -MATERIAL: CARBON STEEL
 -FINISH: MTP GRAY
 -ALL MOUNTING HARDWARE IS INCLUDED TO INSTALL
 -INSTALLER TO DRILL HOLES TO MOUNT TO RAISED FLOOR
 -INSTALLER TO DRILL SLEEVES FOR SHEET METAL SCREWS (NOT INCLUDED)

ORDERING NOTES:
 -SPECIFY A, B, AND D
 -ORDER CHT-700F IF 3-M SHEETS ARE NEEDED

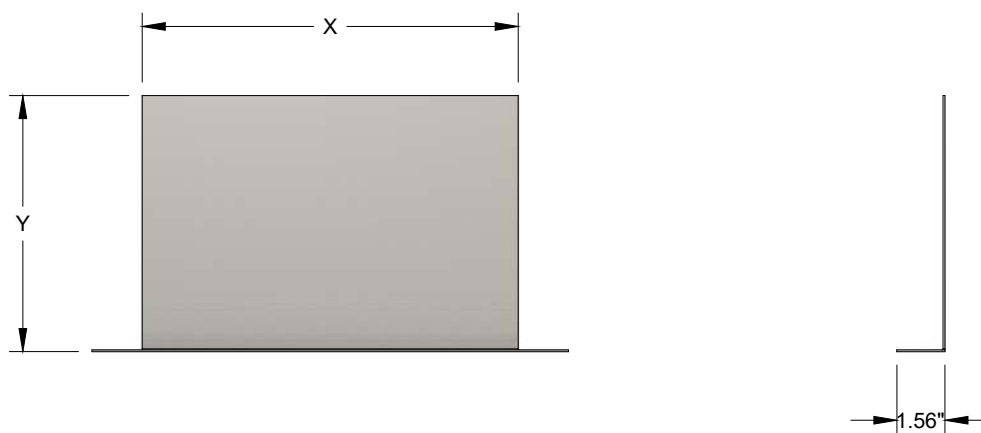
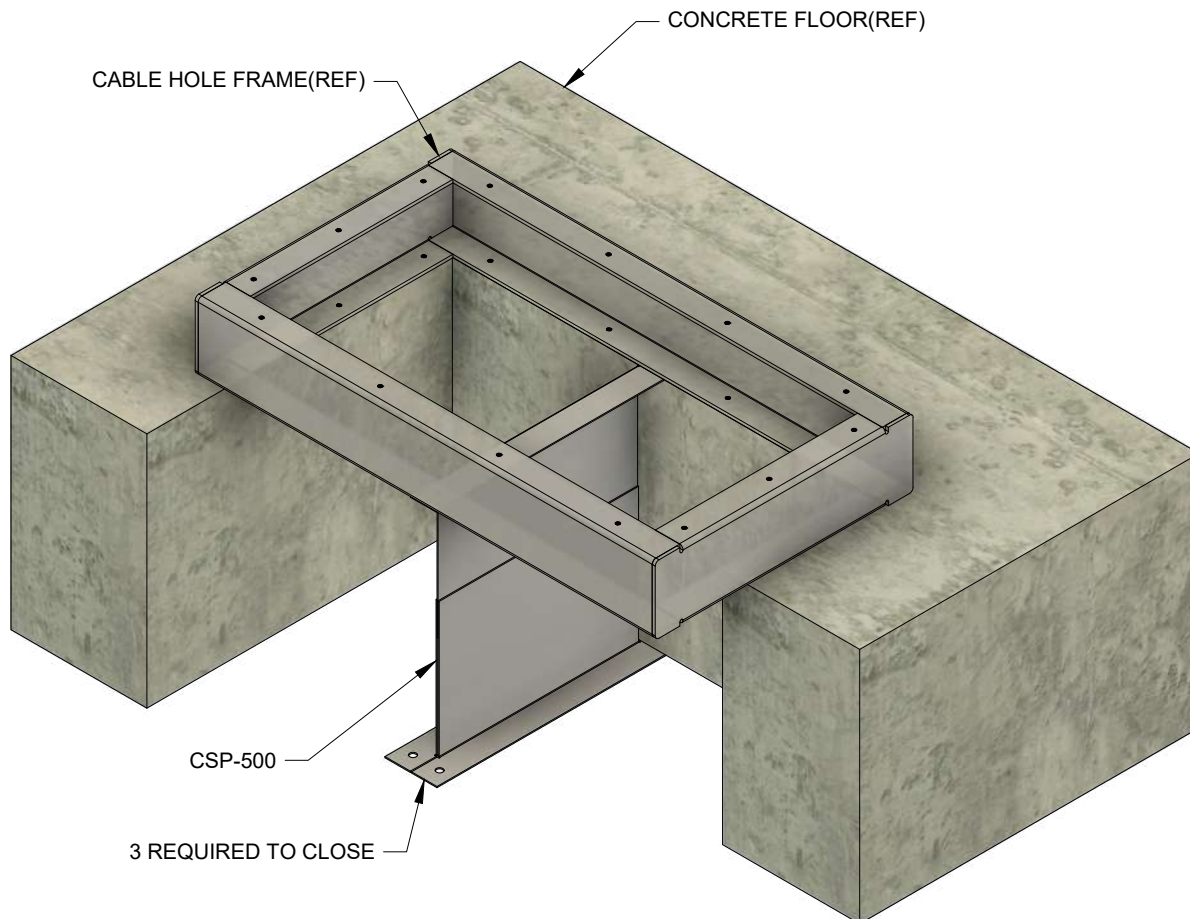
ITEM	DESCRIPTION	CHT-700	CHT-700F
1	COVER	1	1
2	CABLE HOLE PLATE	1	1
3	FRAME ASSEMBLY	1	1
4	UPPER TELESCOPING SLEEVE	1	1
5	LOWER TELESCOPING SLEEVE	1	1
6	1/4" 3-M FIRE STOP SHEET		1
7	1/4" 3-M FIRE STOP SHEET		1
8	1/4-20 x 3/4" HHCS, ZY G5	VARIABLE	VARIABLE
9	3/8-16 x 1/2" HHCS, ZY G5	VARIABLE	VARIABLE
10	3/8-16 x 7/8" HHCS, ZY G5	VARIABLE	VARIABLE
11	3/8" BEVEL WASHER, ZY	VARIABLE	VARIABLE
12	5/16" FLAT WASHER, ZY	VARIABLE	VARIABLE

(04/27/23)



Moreng Telecom Products
 973-237-2001
 www.morengtel.com

CABLE SLOT PARTITIONS



MATERIAL: 0.048 CARBON STEEL

FINISH: MTP GRAY

MAY BE ORDERED TO ANY SIZE BY SPECIFYING THE X (WIDTH OF SLOT) AND Y DIM

CSP-500

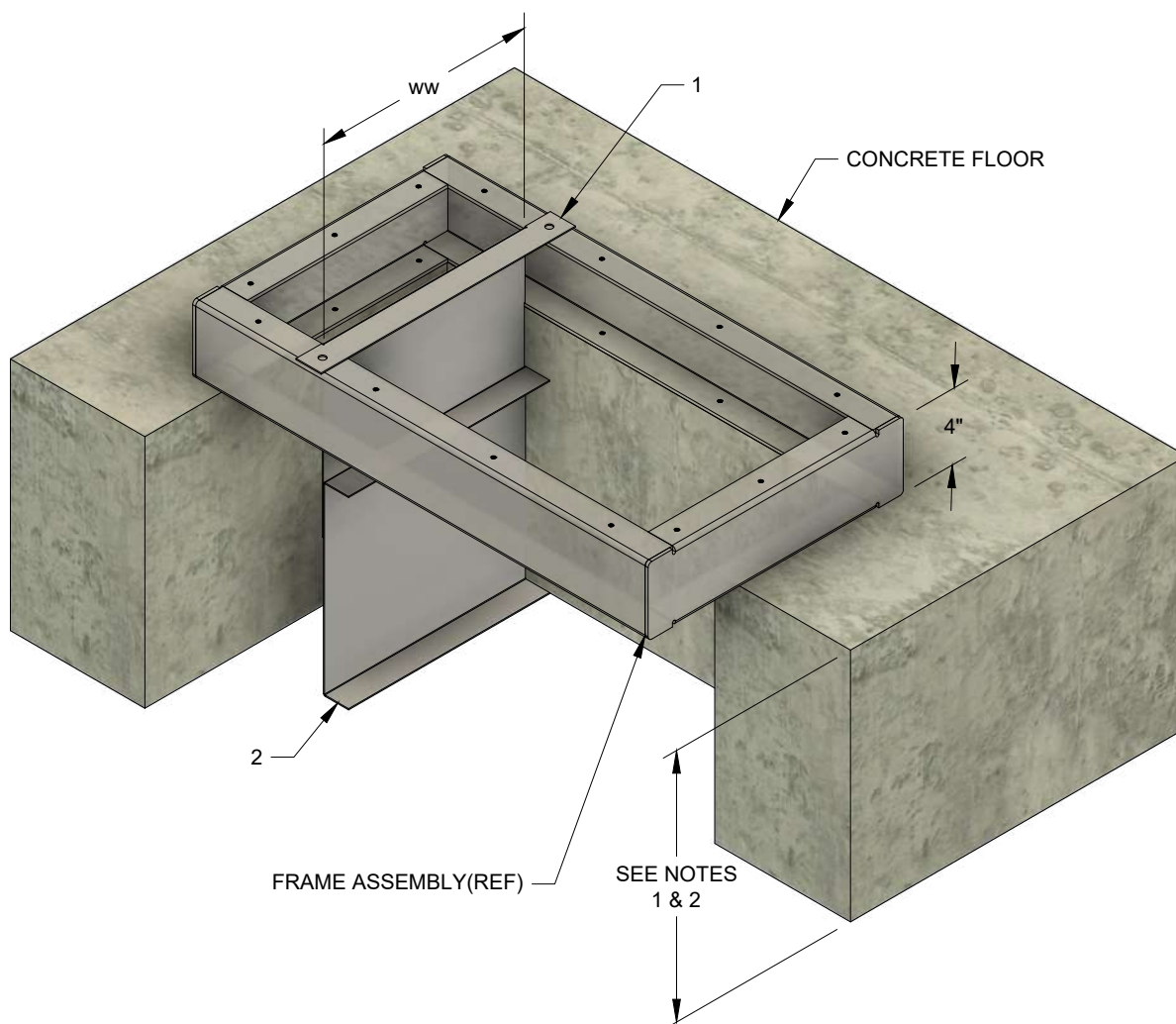
(04/27/23)



Moreng Telecom Products
973-237-2001
www.morengtel.com

CABLE SLOT PARTITIONS

AT&T APPROVED



ORDERING NOTES:

- 1) FOR ww WIDE HOLE IN 4"-11" THICK FLOOR, ORDER CSP-6 ww AT
- 2) FOR ww WIDE HOLE IN 8"-15" THICK FLOOR, ORDER CSP-6 ww ATD
- 3) ALL PARTITIONS ARE CARBON STEEL WITH GRAY POWDER COATING

ww = WIDTH OF SLOT
(IN WHOLE INCHES)

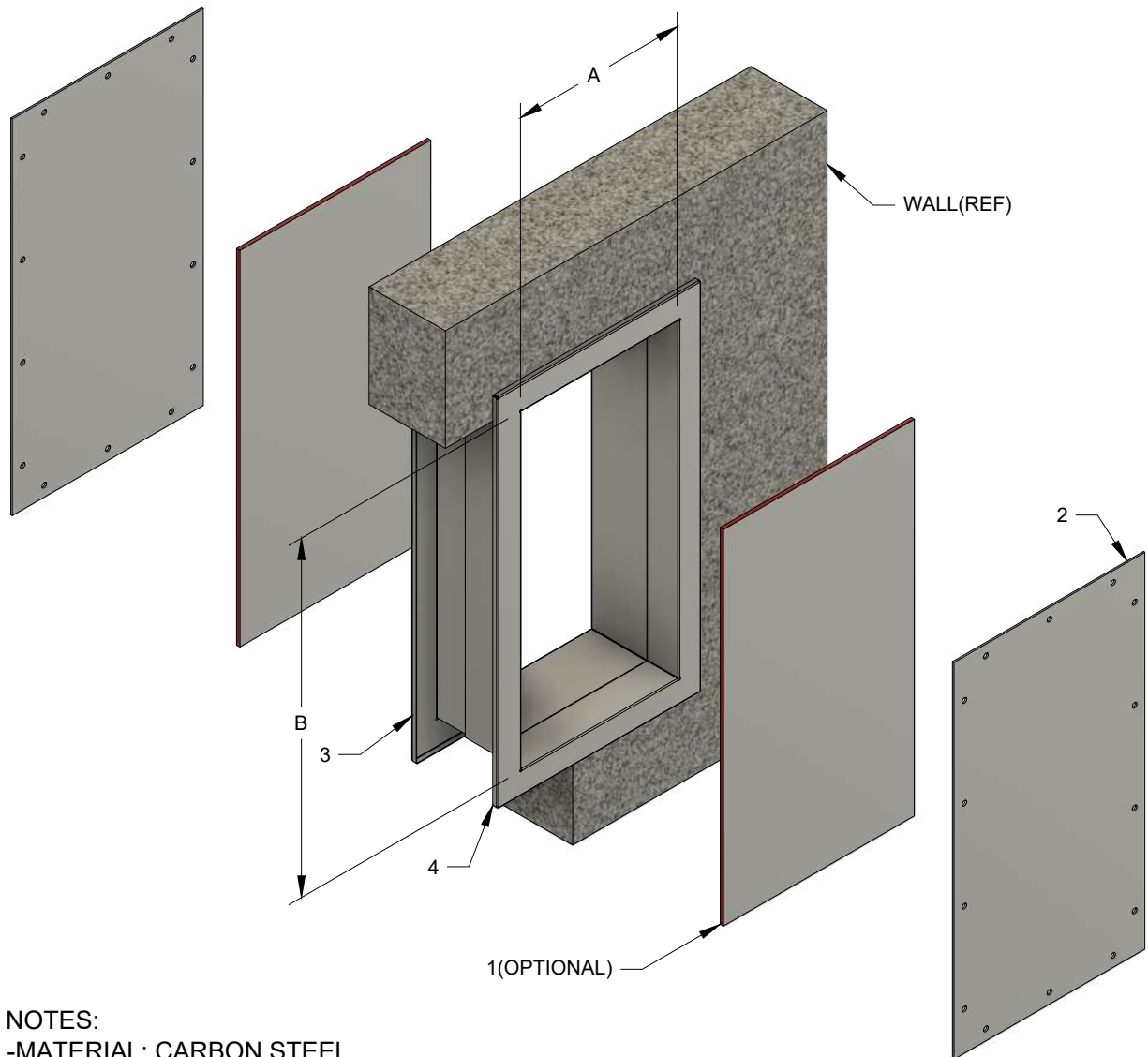
ITEM	DESCRIPTION	CSP-6 ww ATx
1	TOP ANGLE	1
2	BOTTOM CHANNEL	1

(04/27/23)



Moreng Telecom Products
973-237-2001
www.morengtel.com

CABLE HOLE SLEEVE KITS (HOLE THRU WALL)



NOTES:
 -MATERIAL: CARBON STEEL
 - FINISH: MTP GRAY
 -INSTALLER TO DRILL ALL HOLES AND FURNISH SCREWS

ORDERING NOTES:
 -SPECIFY A, B, & T DIMS
 -ORDER CWS-100F IF 3-M SHEETS ARE NEEDED

ITEM	DESCRIPTION	CWS-100	CWS-100F
1	3M FIRE BARRIER SHEET 16" x 28"		2
2	COVER NEED A & B	2	2
3	SLEEVE	1	1
4	SLEEVE	1	1

(04/27/23)



Moreng Telecom Products
 973-237-2001
 www.morengtel.com

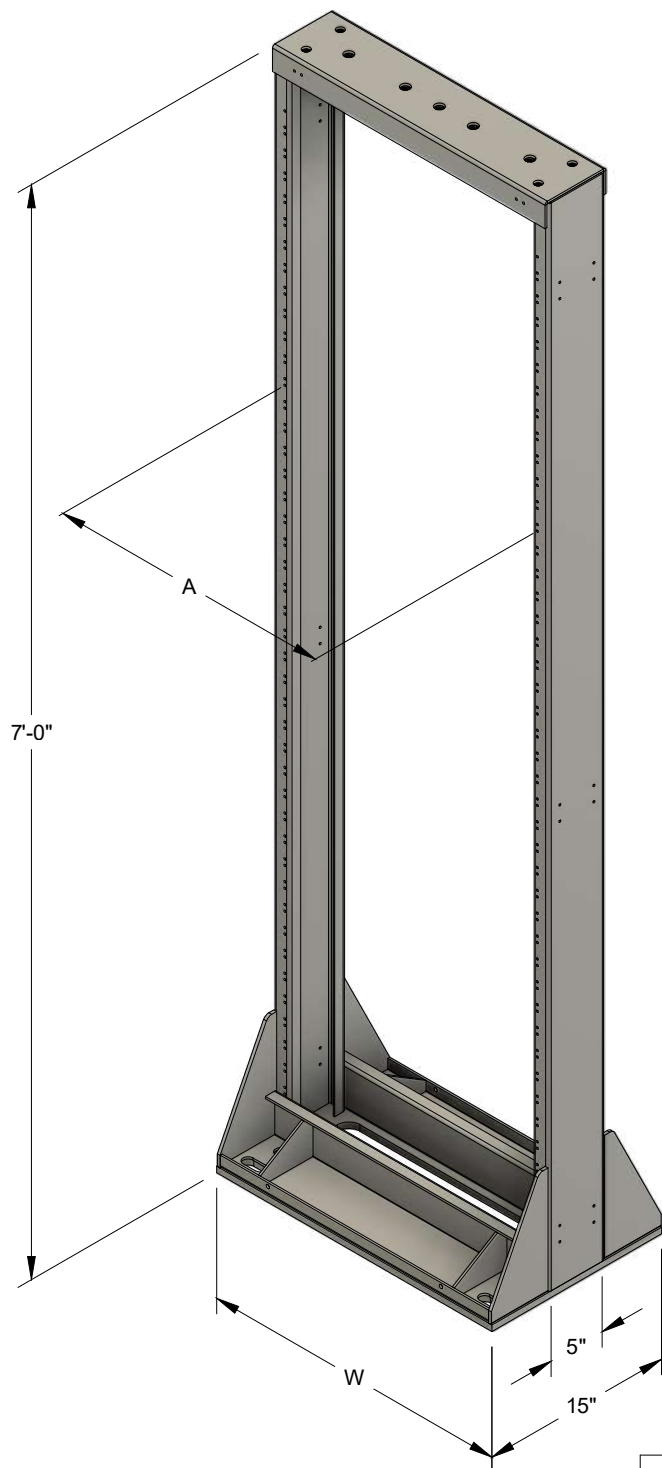
BATTERY/CEV BAYS 7' x 1.75 RU (19" OR 23")

MATERIAL: CARBON STEEL

FINISH: MTP GRAY POWDER

OF RU'S: 44 -1.75 MP DRILLING

CERTIFIED FOR NEBS LEVEL 3:
50 LBS TOP LOAD
UNIFORM EQUIPMENT LOAD:
BRACED TOP : 2492 lbs
UNBRACED TOP : 1500 lbs



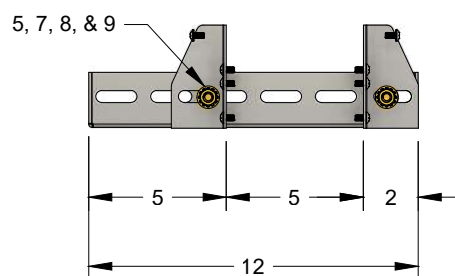
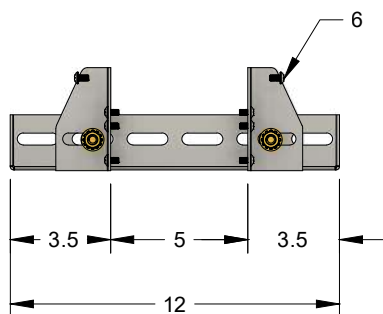
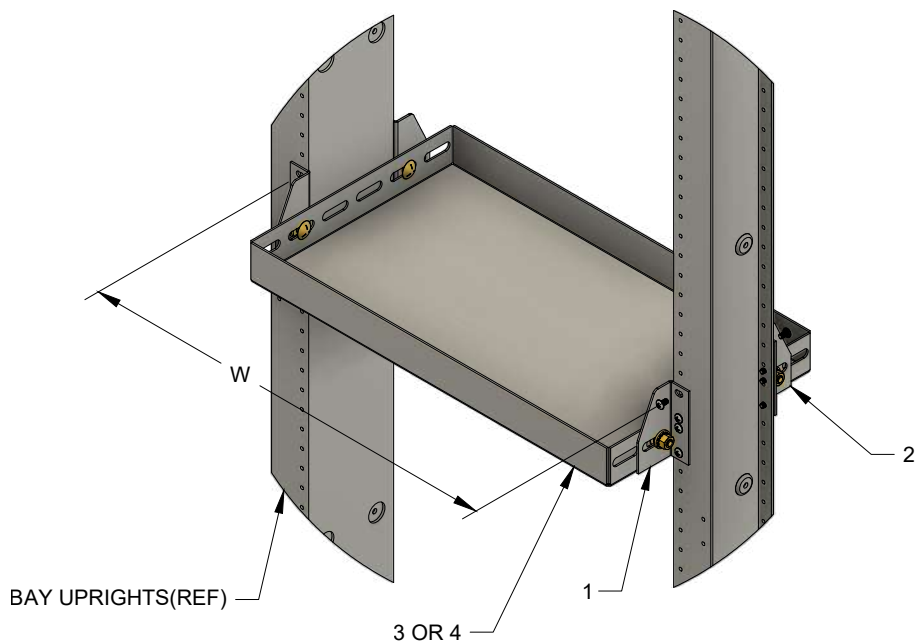
A	W	PART #
18.31"	20.38"	QW1105F151M20
22.31"	24.38"	QW1105F151M24

(04/27/23)



Moreng Telecom Products
973-237-2001
www.morengtel.com

BATTERY SHELF 12" DEEP
UNIVERSAL - ADJUSTABLE
3" OR 5" FRAME UPRIGHTS
MAX EQUIPMENT WEIGHT: 400 LBS



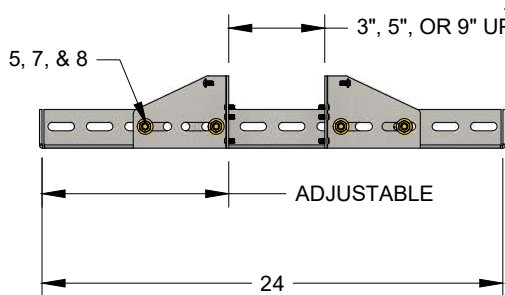
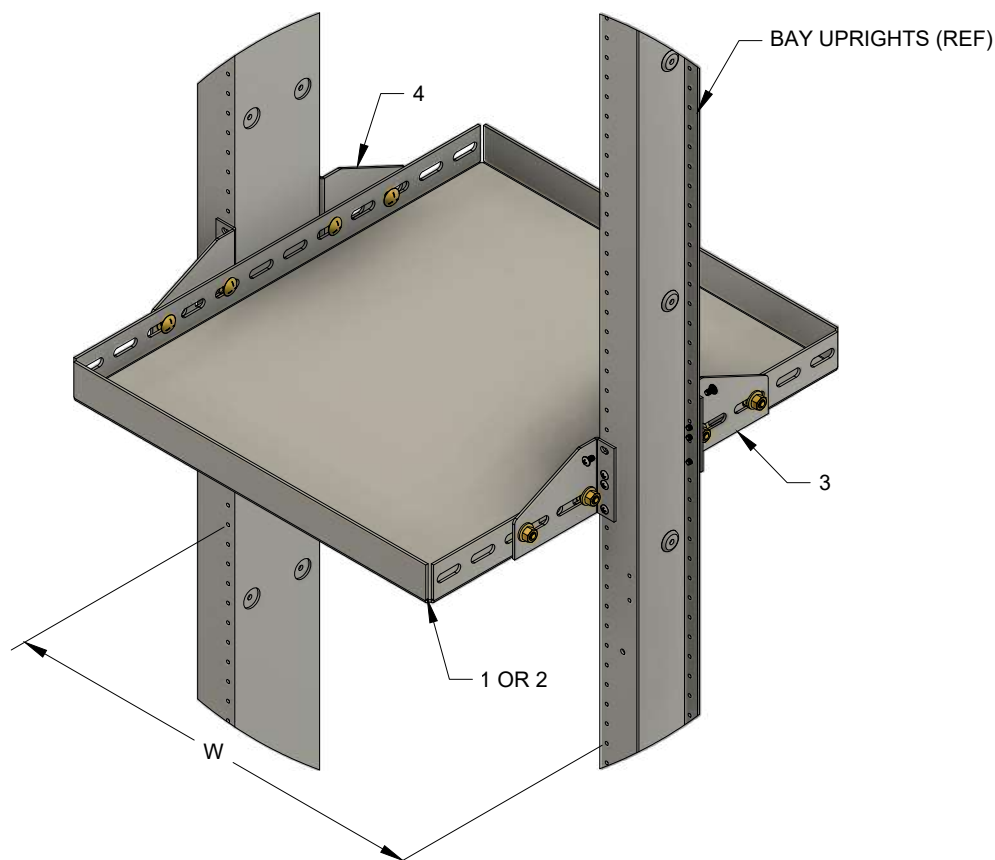
		W	22.31"	18.31"
ITEM	DESCRIPTION	BSA2312	BSA1912	
1	SHELF BRACKET	2	2	
2	SHELF BRACKET	2	2	
3	12" x 23" SHELF	1		
4	12" x 19" SHELF			1
5	3/8-16 x 3/4" CARRIAGE BOLT	4	4	
6	12-24 x 3/8" PHMS, ZC	16	16	
7	3/8-16 HEX NUT, ZY	4	4	
8	3/8" ETT LOCK WASHER, ZY	4	4	
9	3/8" FLAT WASHER, ZY	4	4	

(04/27/23)

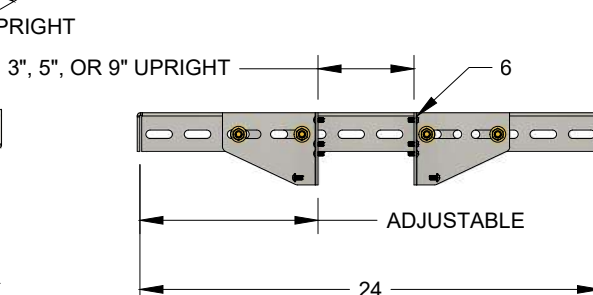


Moreng Telecom Products
 973-237-2001
 www.morengtel.com

HEAVY EQUIPMENT SHELF
UNIVERSAL - ADJUSTABLE
3", 5", OR 9" FRAME UPRIGHTS
MAX EQUIPMENT WEIGHT: 500 LBS



USUAL SHELF INSTALLATION



INVERTED SHELF INSTALLATION
 (FOR EQUIPMENT OVER 24")

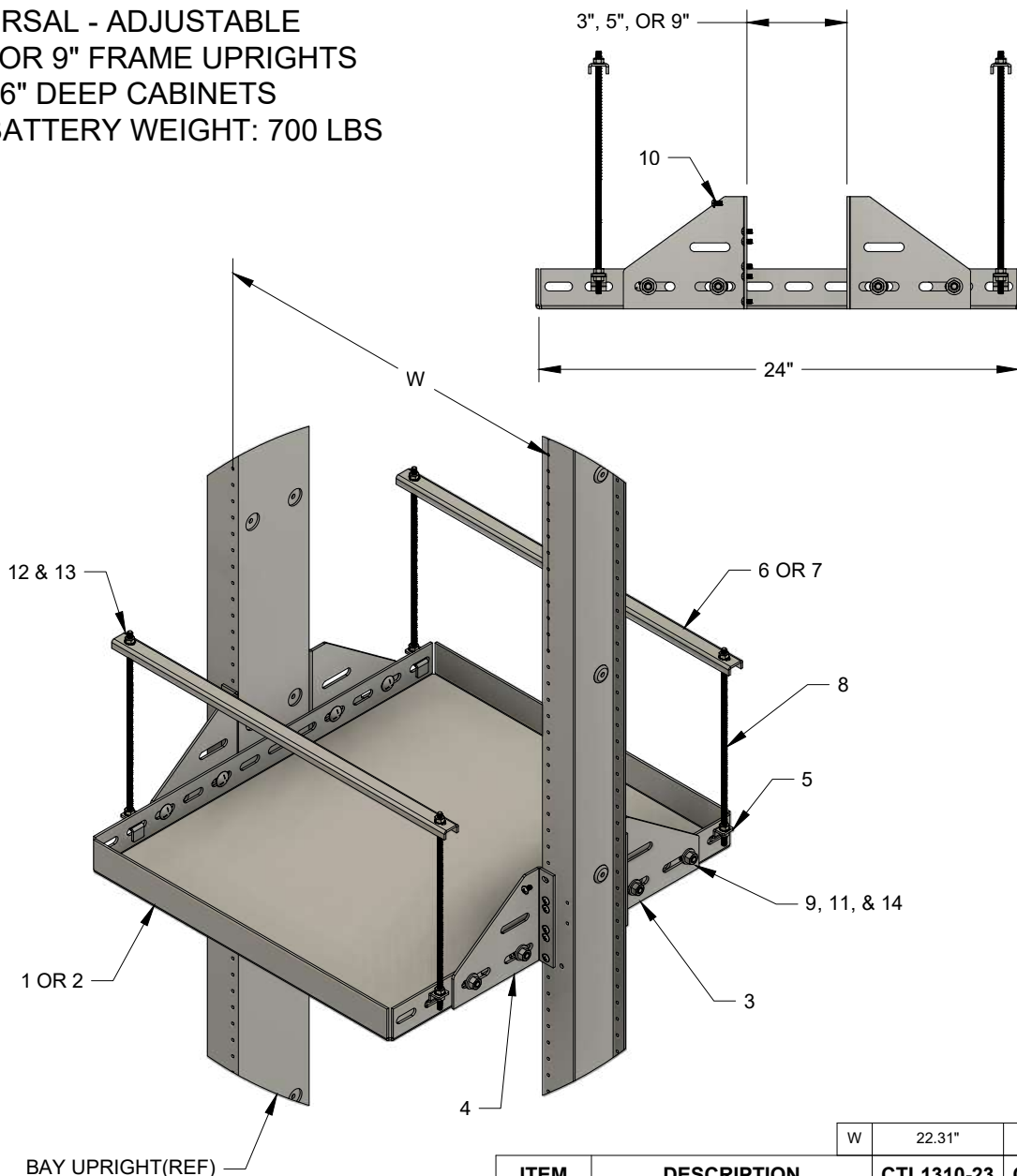
ITEM	PART #	DESCRIPTION	W	22.31"	18.31"
			CTL1401-23	CTL1401-19	
1	CTL1310-23-D1	24" x 23" SHELF	1		
2	CTL1310-19-D1	24" x 19" SHELF		1	
3	CTL1401-D2L	SHELF BRACKET	2	2	
4	CTL1401-D2R	SHELF BRACKET	2	2	
5	MCC03716075C	3/8-16 x 3/4" CARRIAGE BOLT	8	8	
6	MPP01224037C	12-24 x 3/8" PHMS, ZC	24	24	
7	NHC03716Y	3/8-16 HEX NUT. ZY	8	8	
8	WFC037C	3/8" FLAT WASHER, ZY	8	8	

(04/27/23)



Moreng Telecom Products
 973-237-2001
 www.morengtel.com

BATTERY SHELF
 UNIVERSAL - ADJUSTABLE
 3", 5", OR 9" FRAME UPRIGHTS
 AND 36" DEEP CABINETS
 MAX BATTERY WEIGHT: 700 LBS



		W	22.31"	18.31"
ITEM	DESCRIPTION	CTL1310-23	CTL1310-19	
1	24" x 23" SHELF	1		
2	24" x 19" SHELF		1	
3	SHELF BRACKET	2	2	
4	SHELF BRACKET	2	2	
5	STRAPPING CLIP	4	4	
6	CLAMP 23" CHANNEL	2		
7	CLAMP 19" CHANNEL		2	
8	1/4-20 x 12" THREADED ROD, ZC	4	4	
9	3/8-16 x 3/4" CARRIAGE BOLT, ZC	8	8	
10	12-24 x 3/8" PHMS, ZC	24	24	
11	3/8-16 HEX NUT, ZC	8	8	
12	1/4-20 HEX NUT, ZC	16	16	
13	1/4" ETT LOCK WASHER, ZC	16	16	
14	3/8" FLAT WASHER, ZC	8	8	

(04/27/23)



Moreng Telecom Products
 973-237-2001
 www.morengtel.com

BRUSH TOUCH UP PAINT



3 OZ CAN

COLOR	PART #
NETWORK BLUE	840AD
MTP GRAY	395AD
BLACK	905AD
ORANGE	488AD
WHITE	MTP-4AD

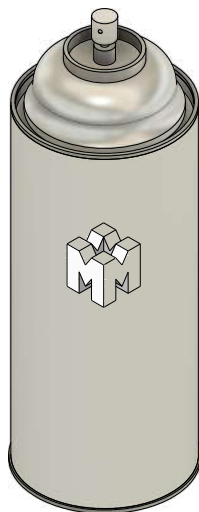
TOUCH UP PEN



.3 FL. OZ

COLOR	PART #
NETWORK BLUE	PEN-BLUE
MTP GRAY	PEN-GRAY
ORANGE	PEN-ORANGE
WHITE	PEN-WHITE

SPRAY TOUCH UP PAINT



12 OZ CAN

COLOR	PART #
NETWORK BLUE	840AD-SPRAY
MTP GRAY	525 SPRAY
BLACK	BLACK SPRAY
ORANGE	488 SPRAY
WHITE	MTP-4 SPRAY

(02/21/24)



Moreng Telecom Products
973-237-2001
www.morengtel.com