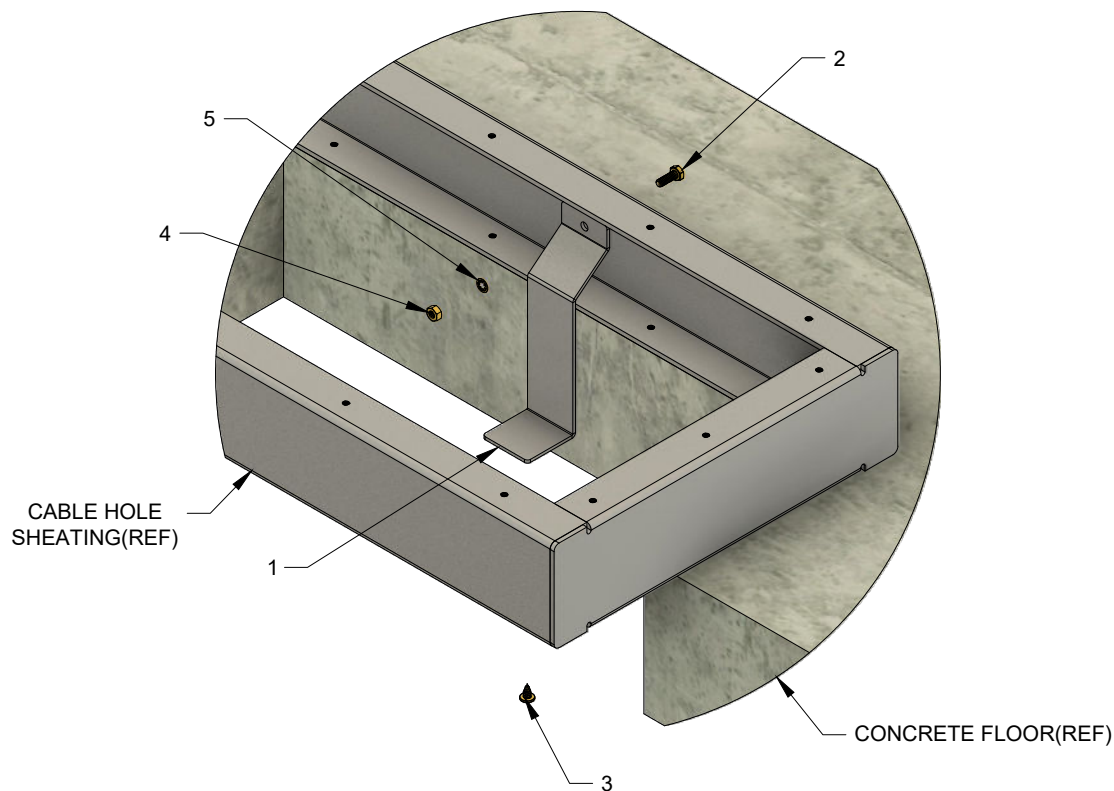


CABLE HOLE STIRRUPS (SUPPORTING DROP IN COVER)



NOTES:

- MATERIAL: CARBON STEEL
- FINISH: MTP GRAY
- ALL MOUNTING HARDWARE IS INCLUDED TO MOUNT TO PRE-TAPPED FRAME
(INSTALLER TO DRILL BOTTOM FLANGE OF SHEATHING TO MATCH)

ORDERING NOTES:

- 5 KITS REQUIRED FOR 12" x 24" HOLE - PART # CHS-405K5
- 7 KITS REQUIRED FOR 24" x 24" HOLE - PART # CHS-405K7
- LOCATE STIRRUPS NO GREATER THAN 12" APART

ITEM	DESCRIPTION	CHS-405K
1	5" CABLE HOLE STIRRUP	1
2	1/4-20 x 3/4" HHCS, ZY G5	1
3	#14 x 1/2" PAN HEAD SMS	1
4	1/4-20 HEX NUT, ZY G5	1
5	1/4" INTERNAL LOCK WASHER, ZY	1

(04/27/23)



Moreng Telecom Products
973-237-2001
www.morengtel.com