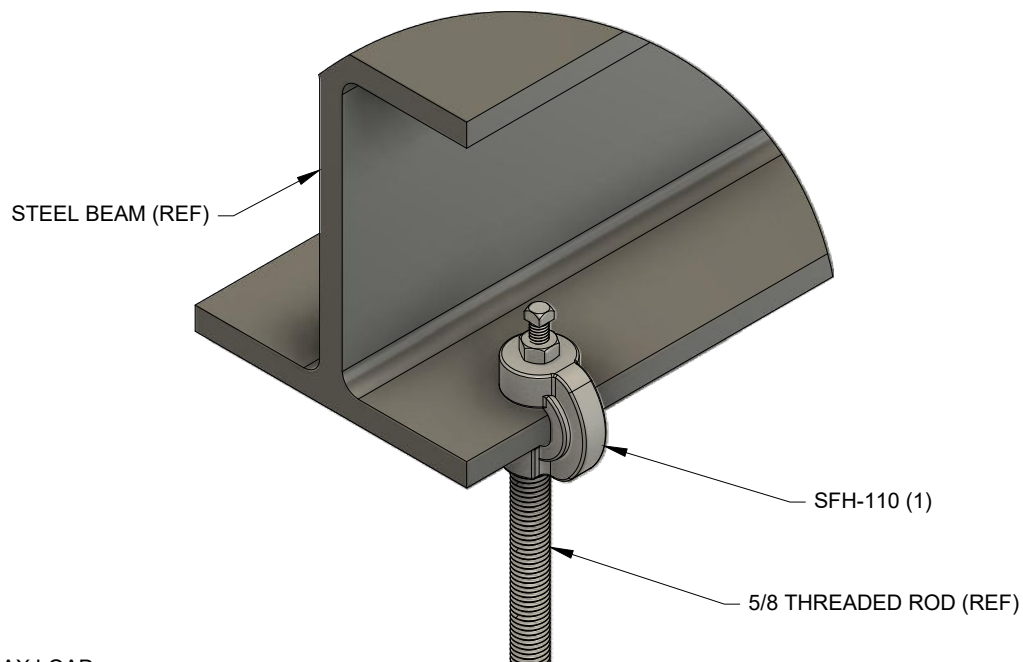


5/8 HANGER ROD CONNECTION TO STEEL BEAM (SINGLE)



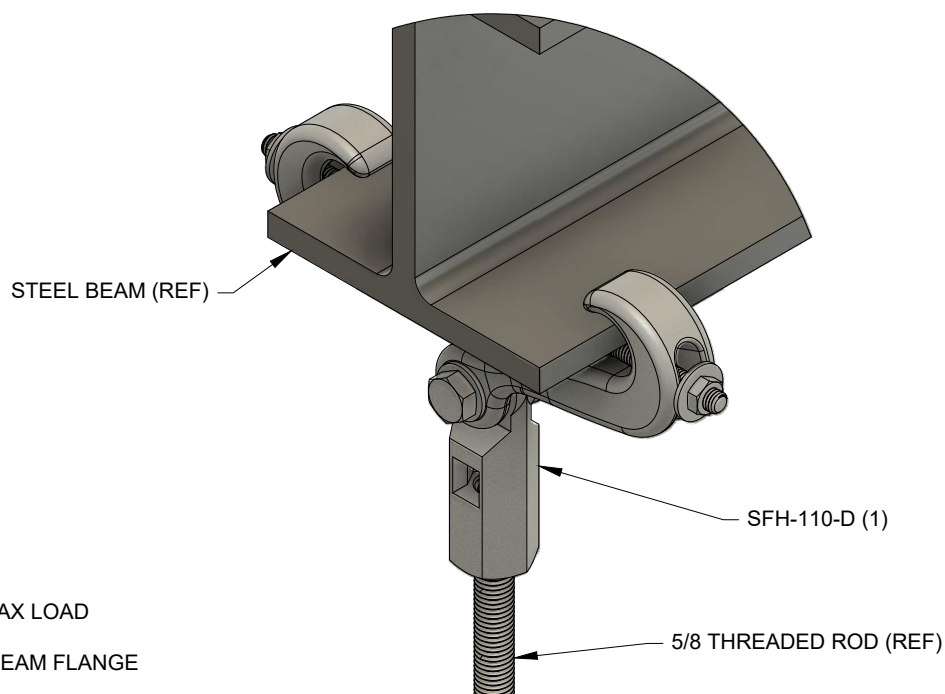
NOTES:

-400 LBS MAX LOAD

-3/4" MAX BEAM FLANGE THICKNESS

SFH-110

5/8 HANGER ROD CONNECTION TO STEEL BEAM (DOUBLE)



NOTES:

-1365 LBS MAX LOAD

-9/16" MAX BEAM FLANGE THICKNESS

-7" MAX BEAM FLANGE WIDTH

SFH-110-D

(04/22/22)



Moreng Telecom Products
973-237-2001
www.morengtel.com