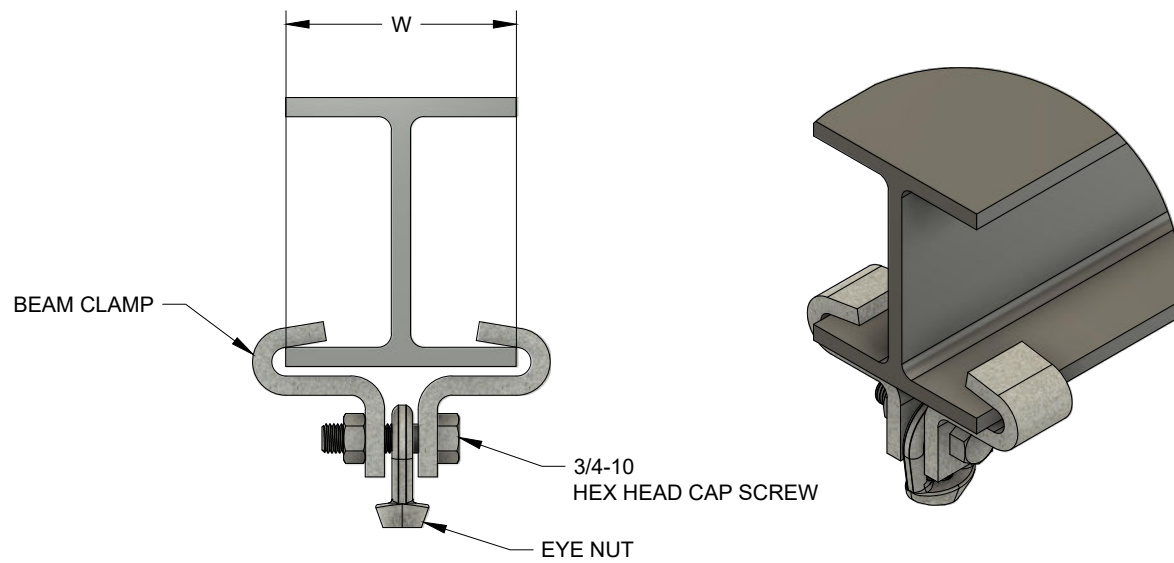


5/8 HANGER ROD CONNECTION TO STEEL BEAM(DOUBLE)



NOTES:

-GALVANIZED STEEL

-3/4" MAX BEAM FLANGE
THICKNESS

MAX LOAD	FLANGE WIDTH (W)	PART #
1000 LBS	4"	SFH-110-4
3000 LBS	6"	SFH-110-6
3000 LBS	7"	SFH-110-7
3000 LBS	8"	SFH-110-8

