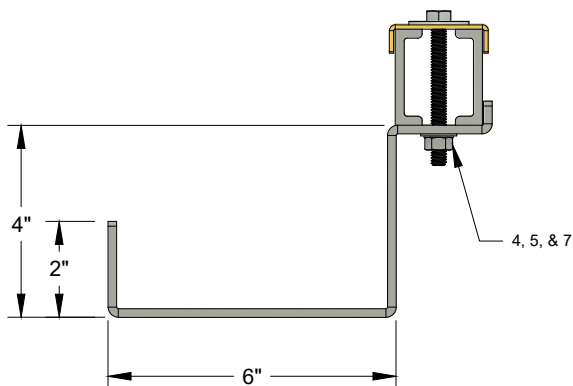
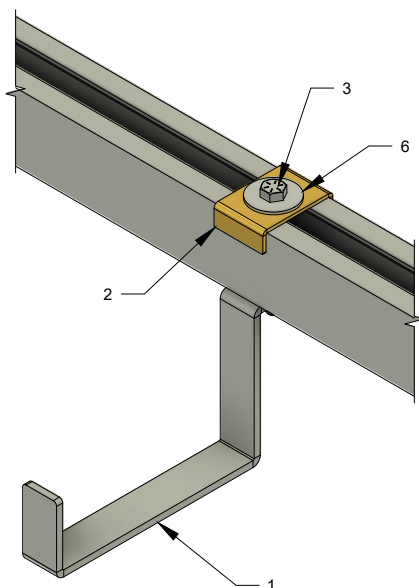
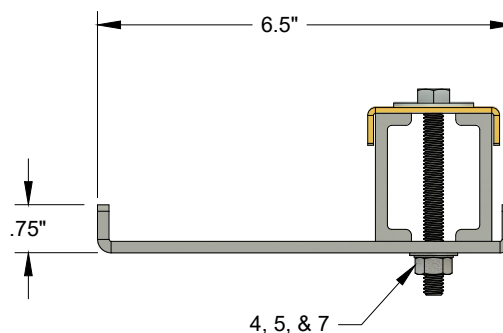
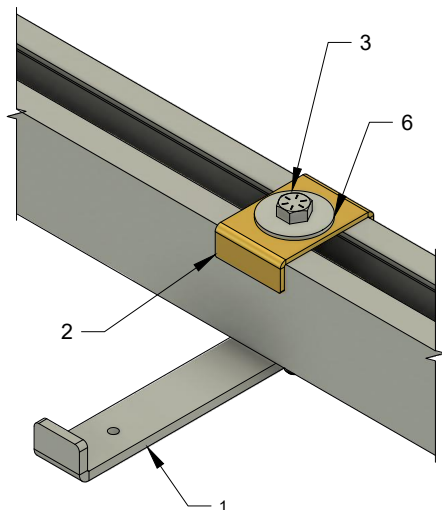


### CONNECTION OF CABLE BRACKET TO 2" CHANNEL FRAMING (4" UNDER)



ITEM	DESCRIPTION	SFH-641K
1	POWER CABLE BRACKET, MTP GRAY	1
2	2" x 3/8" CHANNEL CLIP	1
3	5/16-18 x 3" HEX BOLT, ZC	1
4	5/16-18 HEX NUT, ZC	1
5	5/16 FLAT WASHER, ZC	1
6	5/16 x 1-1/4 FENDER WASHER, ZC	1
7	5/16 INTERNAL TOOTH LOCK WASHER, ZC	1

### CONNECTION OF CABLE BRACKET TO 2" CHANNEL FRAMING



ITEM	DESCRIPTION	SFH-643K
1	CABLE BRACKET, MTP GRAY	1
2	2" x 3/8" CHANNEL CLIP	1
3	5/16-18 x 3" HEX BOLT, ZC	1
4	5/16-18 HEX NUT, ZC	1
5	5/16 FLAT WASHER, ZC	1
6	5/16 x 1-1/4 FENDER WASHER, ZC	1
7	5/16 INTERNAL TOOTH LOCK WASHER, ZC	1

(05/02/22)



Moreng Telecom Products  
973-237-2001  
www.morengtel.com