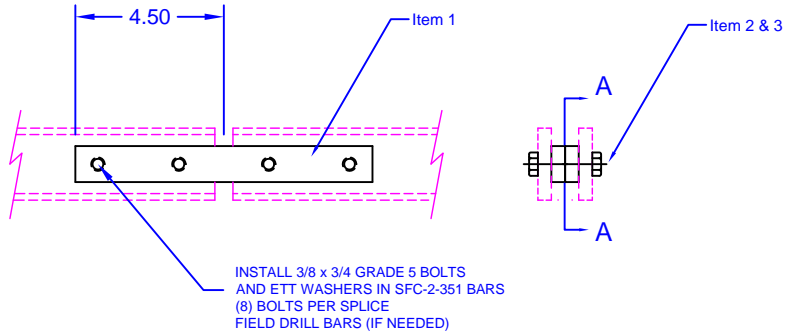


STOCKLIST			
ITEM #	Part #	Description	Qty
1	SFC-2-351	Plate, Splice	2
2	CH503716075Y	Bolt, 3/8 x 3/4 GR5	8
3	WEC037Y	Washer, ETT 3/8	8



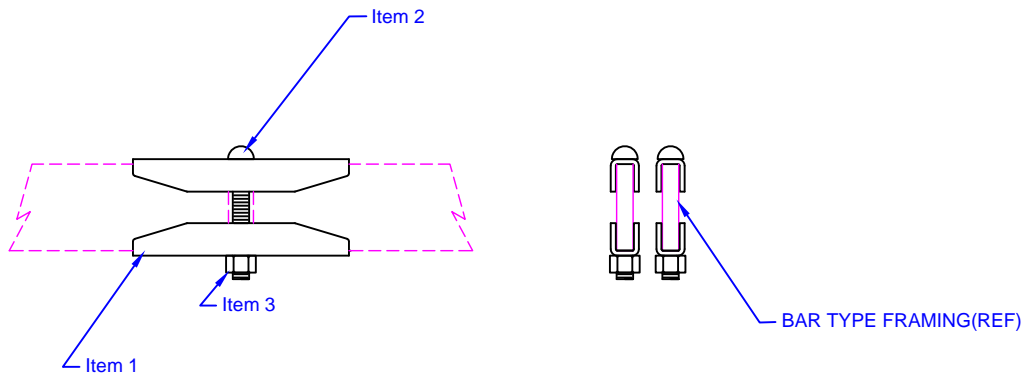
SECTION A-A

FINISH: ZINC PLATE & YELLOW CHROMATE

**2"BAR FRMG SPLICE
(SEISMIC BOLTED-GR1275)**

PART #
SFB-1-350

STOCKLIST			
ITEM #	Part #	Description	Qty
1	CR-220	Splice Bracket	4
2	CR-101	Carriage Bolt, 3/8 x 2-3/4 G5	2
3	NHC03716Y	Nut, 3/8 GR5	2



2" BAR FRMG SPLICE

PART #
CR2-221

(05/08/13)



Moreng Telecom Products
973-237-2001
www.morengtel.com