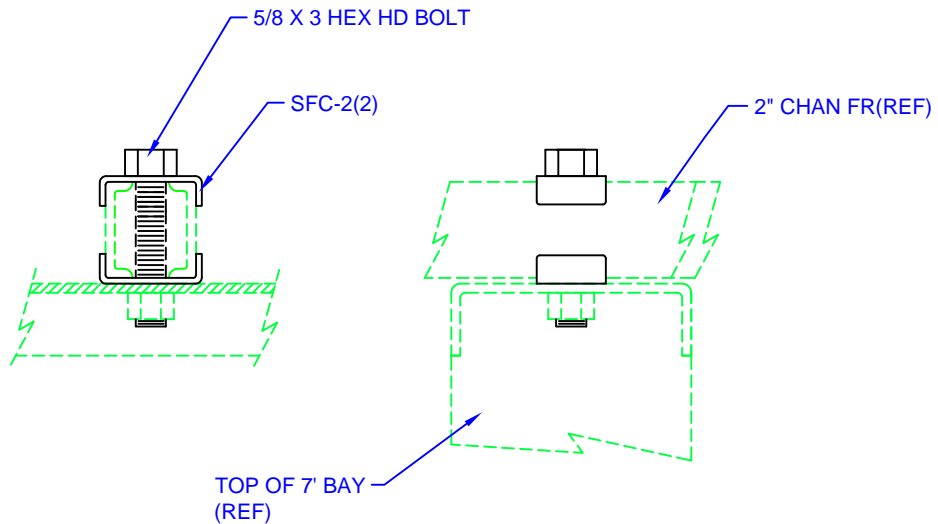


CONNECTION OF:
 PERPENDICULAR 2" CHANNEL
 FRAMING TO 5/8 HANGER ROD
 (2-1/8" ELEVATION DIFFERENCE)

PART #	LOCK WASHERS
SFH-102	NO
SFH-102E	YES



CONNECTION OF:
 TOP OF 7 FT BAY TO 2"
 CHANNEL FRAMING

SFH-103

(04/09/09)



Moreng Telecom Products
 973-237-2001
 www.morengtel.com