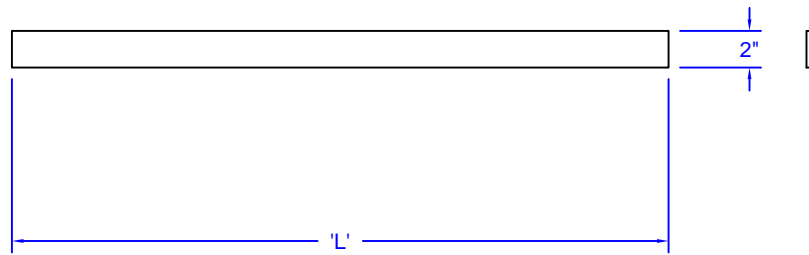


FRAMING BARS-2 x 3/8



MATERIAL: 2 x 3/8 ASTM A-36 STEEL

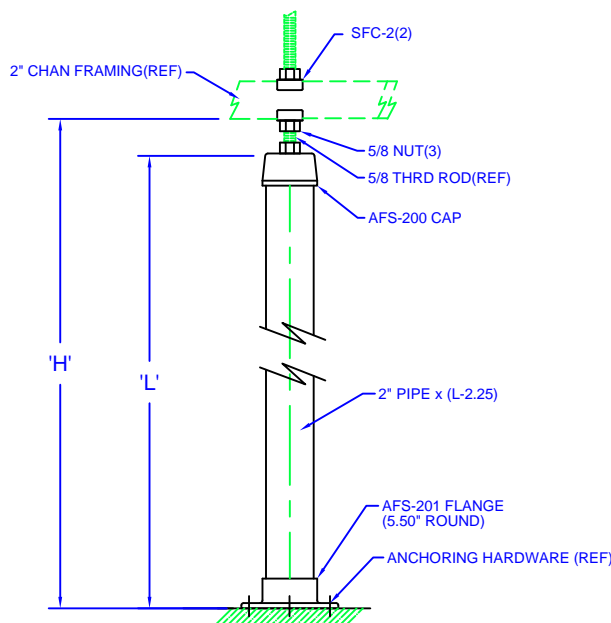
FINISH: MTP GRAY

OPTIONS:

- MAY BE ORDERED TO ANY LENGTH BY USING LAST 3 DIGITS OF PART NUMBER AS REQUIRED LENGTH (IN INCHES)

| PART # | 'L' |
|-----------|----------|
| CRB-2-048 | 4'-0" |
| CRB-2-060 | 5'-0" |
| CRB-2-072 | 6'-0" |
| CRB-2-096 | 8'-0" |
| CRB-2-120 | 10'-0" |
| CRB-2-240 | 20'-0" |
| CRB-2-XXX | VARIABLE |

AUX FRAMING SUPPORT KITS



MATERIAL: STEEL
FINISH: MTP GRAY

OPTIONS:

- HEIGHT: TO SPECIFY 'H', USE REQUIRED SIZE IN INCHES FOR THE xxx IN PART #
- FOR SUPPORTING BAR TYPE FRAMING: CHANGE 'C' TO 'B' IN PART #

| 'H' | 'L' | PART NO. |
|---------|--------|-----------|
| 7'-0" | 6'-10" | AFS-084KC |
| 7'-2" | 7'-0" | AFS-086KC |
| 7'-6" | 7'-4" | AFS-090KC |
| 8'-0" | 7'-10" | AFS-096KC |
| 8'-6" | 8'-4" | AFS-102KC |
| 9'-0" | 8'-10" | AFS-108KC |
| 11'-6" | 11'-4" | AFS-138KC |
| __'-__" | (H-2") | AFS-xxxKC |

(05/17/09)



Moreng Telecom Products
973-237-2001
www.morengtel.com