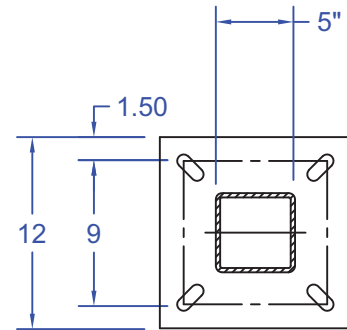
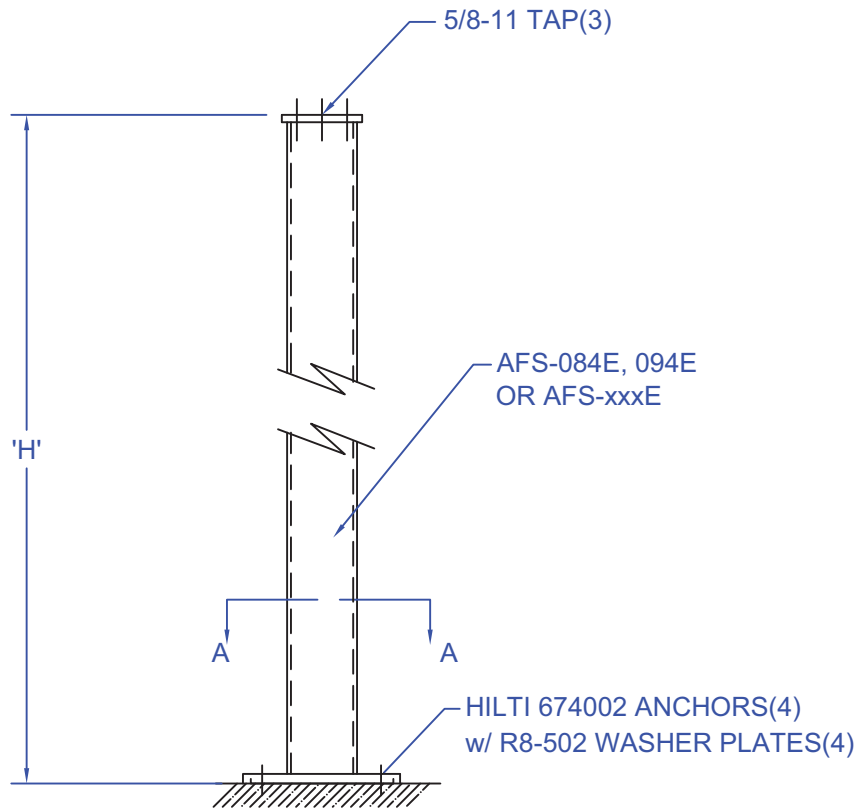


SEISMIC AUX FRAMING SUPPORT KITS (GR1502 & GR1275)



SECTION A-A

MATERIAL: STEEL, WELDED

FINISH: MTP GRAY

KIT INCLUDES FLR ANCHORING HARDWARE

NON-STANDARD HEIGHTS: AFS-xxxE

SPECIFY "xxx" IN INCHES

'H'	ANCHORS	PART #
84"	NO	AFS-084E
84"	YES	AFS-084EK
94"	NO	AFS-094E
94"	YES	AFS-094EK
xxx"	NO	AFS-xxxE
xxx"	YES	AFS-xxxEK

