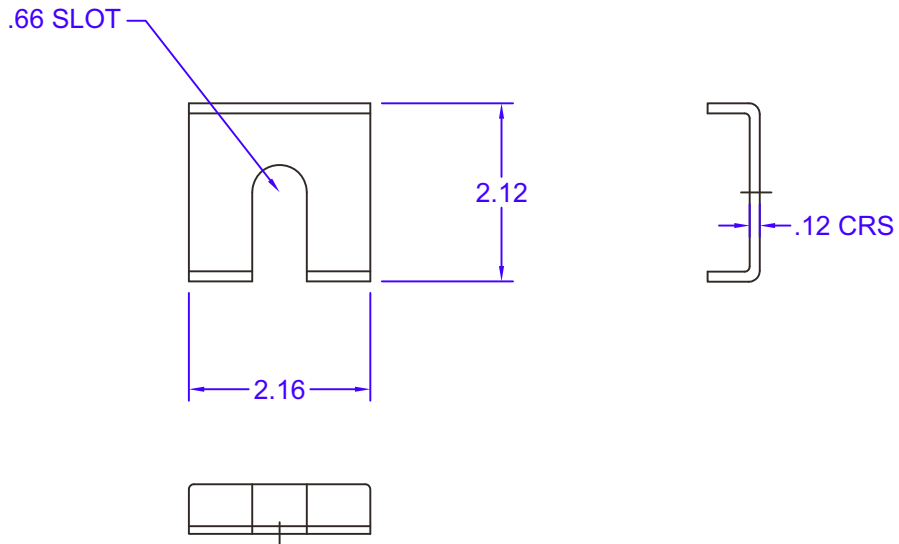


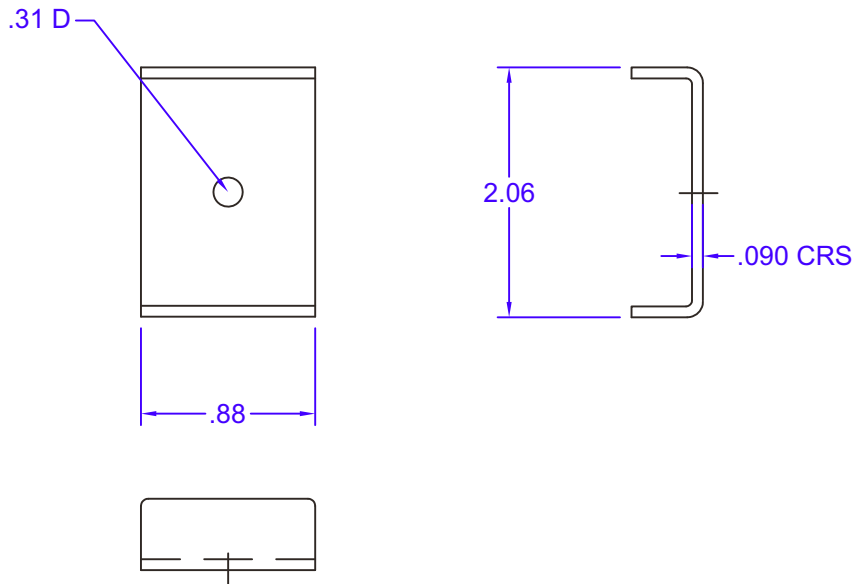
**2" CHANNEL FRAMING CLIPS**  
(SLOTTED FOR EXISTING  $\frac{5}{8}$  ROD)



- MATERIAL: CR STEEL
- FINISH: ZINC PLATE - YELLOW CHROMATE

**SFC-2M**

**2" CHANNEL FRAMING CLIPS**  
(FOR  $\frac{1}{4}$  BOLTS)



- MATERIAL: CR STEEL
- FINISH: ZINC PLATE - YELLOW CHROMATE

**SFH-819**

