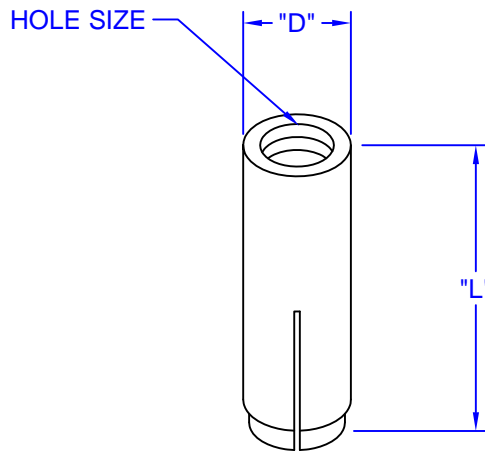


DROP IN ANCHOR

D = DRILL SIZE



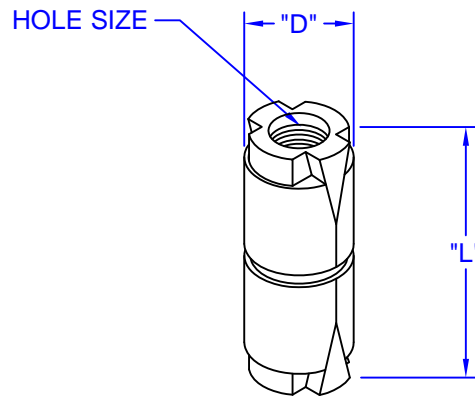
MATERIAL: ZINC

FINISH: NONE

<u>Part #</u>	<u>SIZE</u>	<u>D</u>	<u>L</u>
SDE03716H	.37-16	1/2	1.56
SDE05013H	.50-13	5/8	2.00
SDE06211H	.62-11	27/32	2.56

DOUBLE EXPANSION ANCHORS

D = DRILL SIZE



MATERIAL: ZINC

FINISH: NONE

<u>Part #</u>	<u>SIZE</u>	<u>D</u>	<u>L</u>
SDE02520	.25-20	1/2	1.00
SDE03716	.37-16	3/4	1.57
SDE05013	.50-13	7/8	2.00
SDE06211	.62-11	1	2.25

