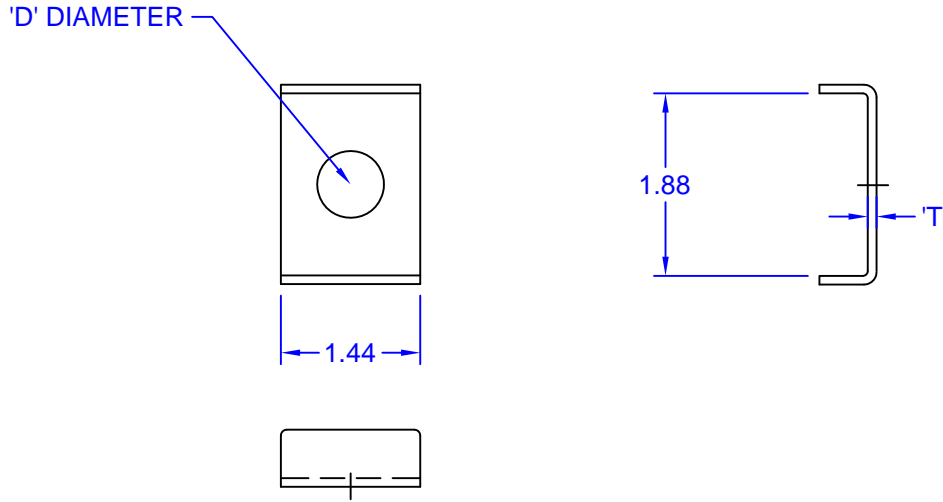


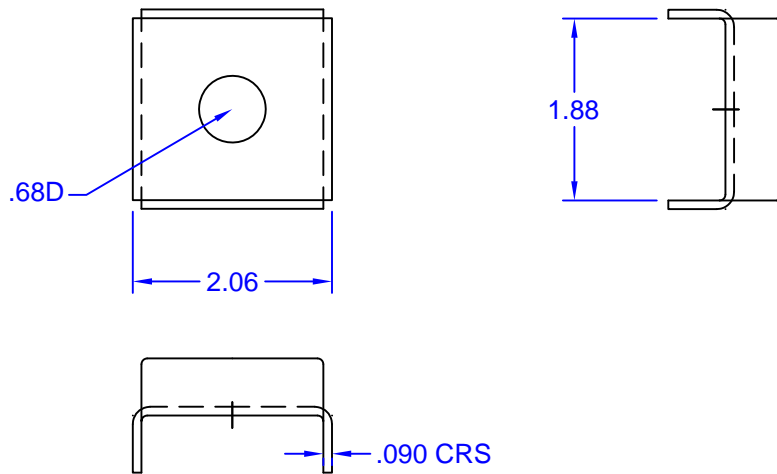
2" CHAN FRAMING CLIPS



- MATERIAL: CR STEEL
- FINISH: ZINC PLATE - YELLOW CHROMATE

'D'	'T'	PART #
.66	.12	SFC-2
.53	.12	SFC-2A
.41	.09	SFC-2D

2" CHAN FRAMING CLIPS FOR CROSS-OVER INTERSECTION



- MATERIAL: CR STEEL
- FINISH: ZINC PLATE - YELLOW CHROMATE

SFC-2B

