

# R7R NETWORK BAYS - SEISMIC

(15 x 26 FOOTPRINT)

CLOSED DUCT - OPEN TOP

7' HIGH - SVGAL - CO-LO BAY CONFIG

MATERIAL: CARBON STEEL

FINISH OPTIONS:

x = 1: MTP GRAY

x = 3: NETWORK BLUE

x = 4: OFF WHITE

OTHER FINISHES AVAILABLE

INCLUDES:

WELDED FRAME

JUNCTION KITS

BASE COVER

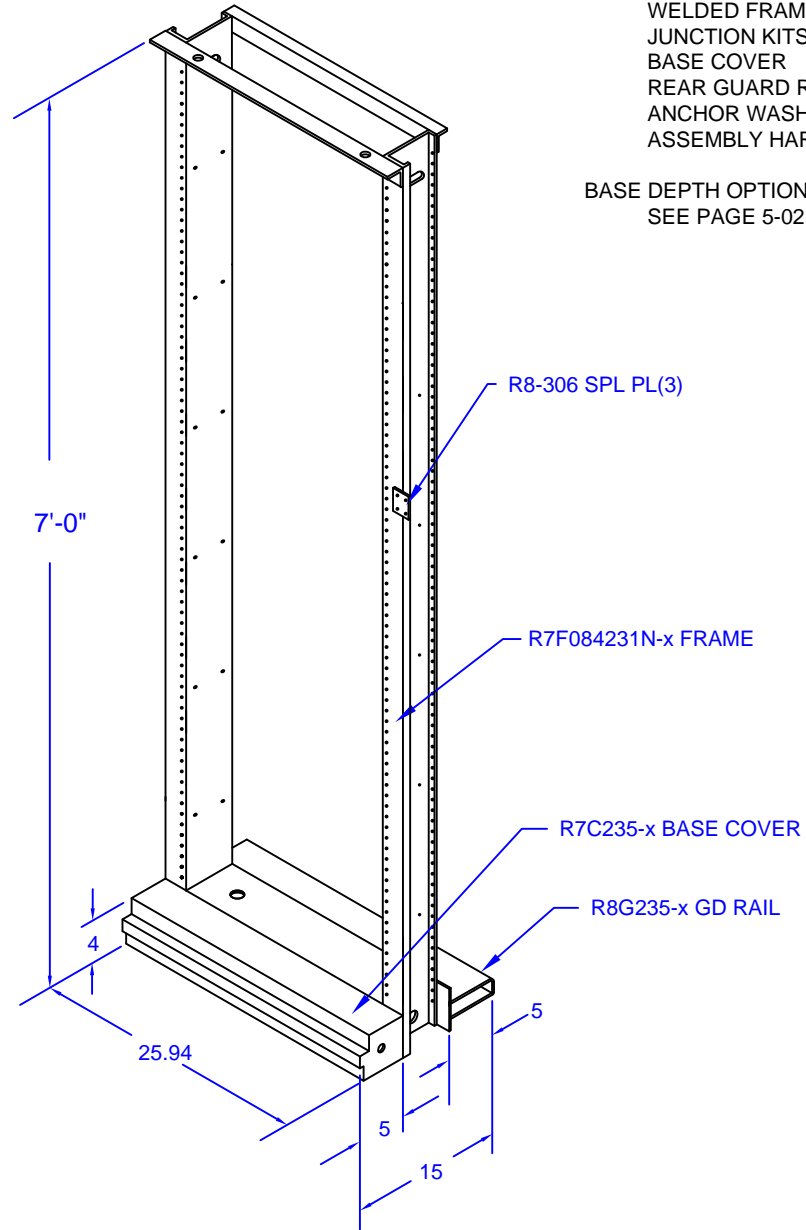
REAR GUARD RAIL

ANCHOR WASHERS

ASSEMBLY HARDWARE

BASE DEPTH OPTIONS:

SEE PAGE 5-02 FOR CODES



BEARING PLATES  
(WELDED IN)



## FLOOR MOUNTING

(PER GR-63-CORE -FIG 2-1)

(FLOOR ANCHORS - NOT INCLUDED)

**R7R084231N-x**

(08/05/09)



Moreng Telecom Products  
973-237-2001  
www.morengtel.com