

NETWORK BAYS
 (15 x 26 FOOTPRINT)
 CLOSED DUCT
 7' HIGH

MATERIAL: CARBON STEEL

FINISH OPTIONS:

- x = 1: MTP GRAY
- x = 3: NETWORK BLUE
- x = 4: OFF WHITE
- OTHER FINISHES AVAILABLE

INCLUDES:

- WELDED FRAME
- JUNCTION PLTS
- BASE COVER
- REAR GUARD RAIL
- ASSEMBLY HARDWARE

BASE DEPTH OPTIONS:

SEE PAGE 5-02 FOR CODES

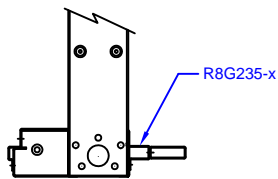
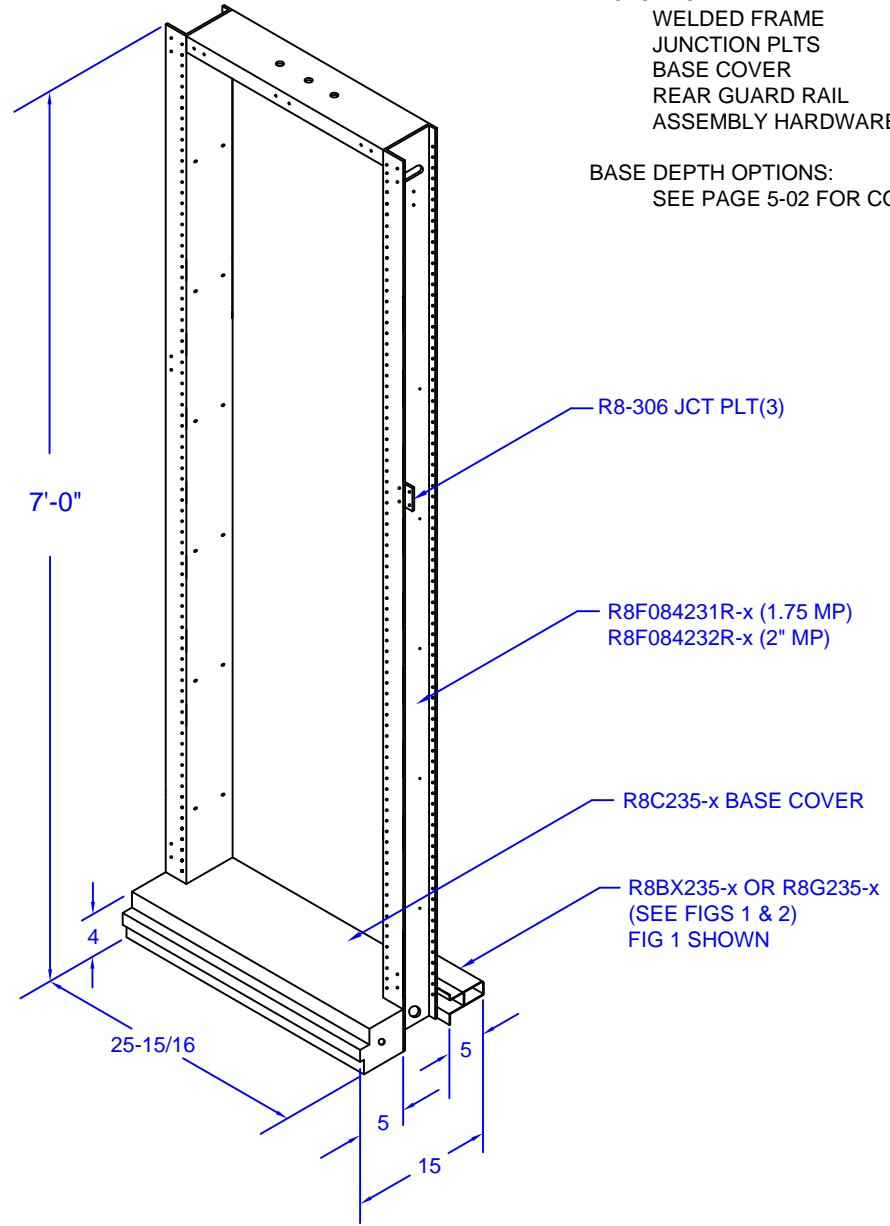


FIG 1

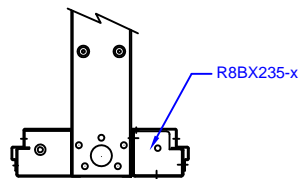


FIG 2

MTG PATTERN	FIG	PART #
1.75 x 23	2	R8R084231B-x
2.00 x 23	2	R8R084232B-x
1.75 x 23	1	R8R084231C-x
2.00 x 23	1	R8R084232C-x

(08/04/09)



Moreng Telecom Products
 973-237-2001
 www.morengtel.com