

**NETWORK BAYS**  
 (12 x 22 FOOTPRINT)  
 OPEN DUCT  
 7' HIGH

MATERIAL: CARBON STEEL

FINISH OPTIONS:

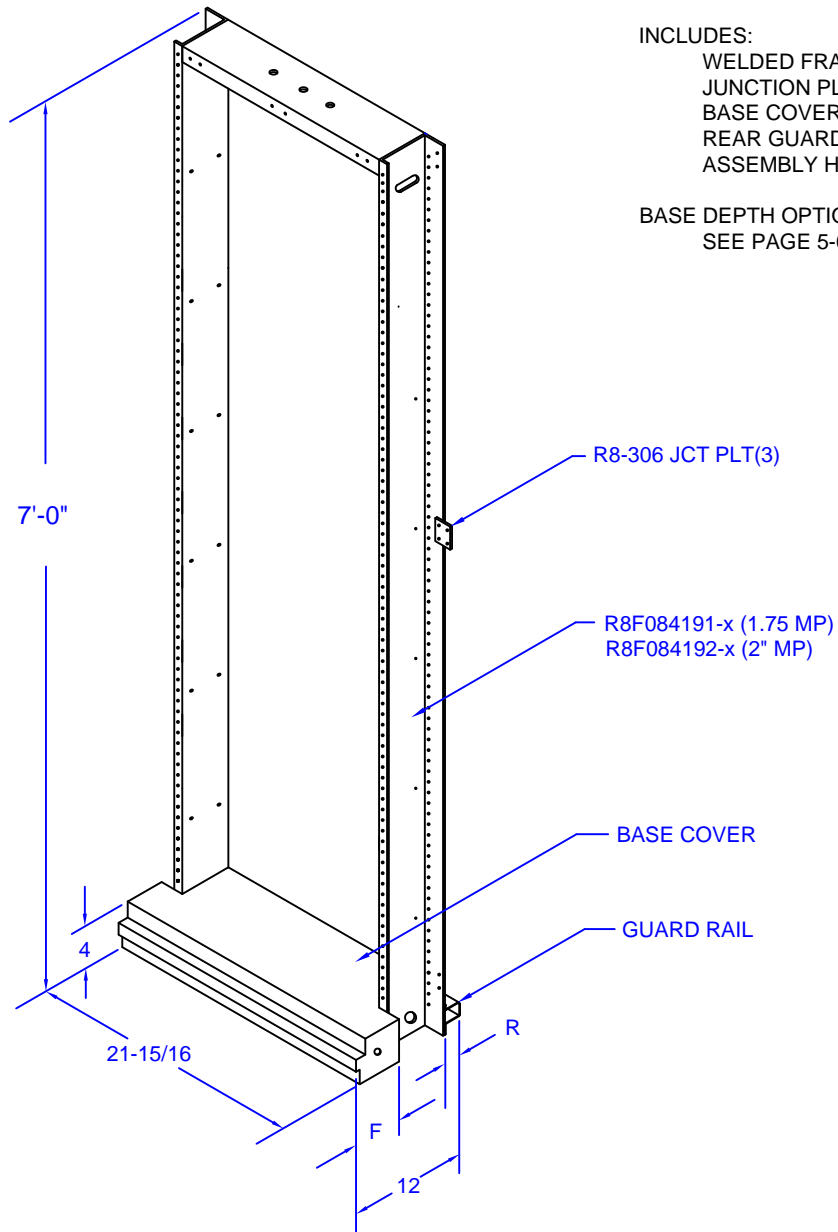
- x = 1: MTP GRAY
- x = 3: NETWORK BLUE
- x = 4: OFF WHITE
- OTHER FINISHES AVAILABLE

INCLUDES:

- WELDED FRAME
- JUNCTION PLTS
- BASE COVER
- REAR GUARD RAIL
- ASSEMBLY HARDWARE

BASE DEPTH OPTIONS:

SEE PAGE 5-02 FOR CODES



MTG PATTERN	F	R	PART #
1.75 x 19	6	1	R8R084191-x
2.00 x 19	6	1	R8R084192-x
1.75 x 19	5	2	R8R084191D-x
2.00 x 19	5	2	R8R084192D-x

(08/04/09)



Moreng Telecom Products  
 973-237-2001  
 www.morengtel.com