

# NETWORK BAY EXTENDERS (SEISMIC ZONES 0-2)

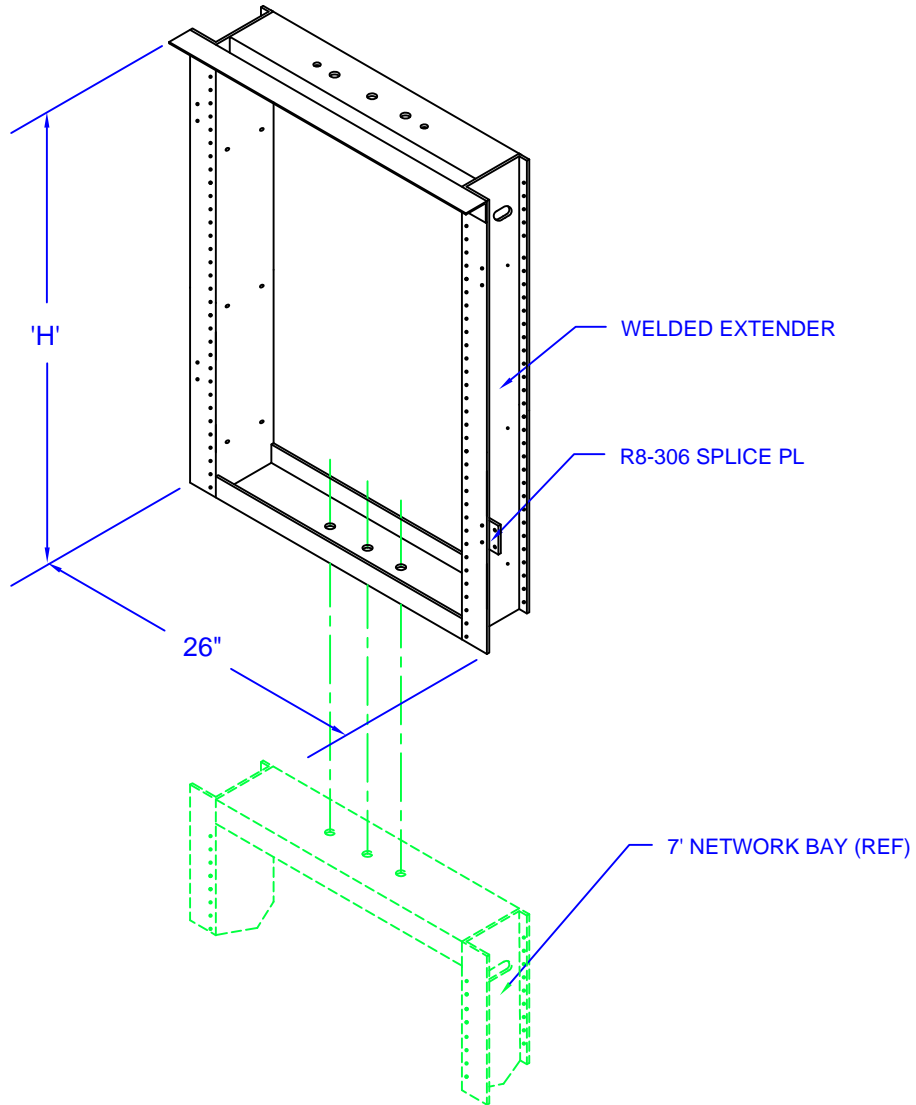
MATERIAL: CARBON STEEL

FINISH OPTIONS:

- x = 1: MTP GRAY
- x = 3: NETWORK BLUE
- x = 4: OFF WHITE
- OTHER FINISHES AVAILABLE

INCLUDES:

- WELDED FRAME
- JUNCTION PLTS
- ASSEMBLY HARDWARE



MTG PATTERN	'H'	PART #
1.75 x 23	24"	R8R024231-x
2.00 x 23	24"	R8R024232-x
1.75 x 23	54"	R8R054231-x
2.00 x 23	54"	R8R054232-x

{08/04/09}



Moreng Telecom Products  
973-237-2001  
www.morengtel.com