

**NETWORK BAYS
END GUARD BRACE KITS
STANDARD**

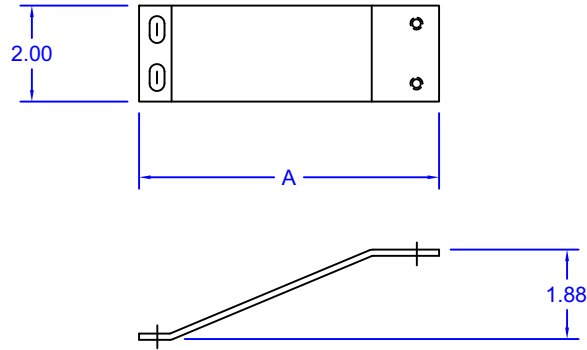
MATERIAL: CARBON STEEL

FINISH OPTIONS:

- x = 1: MTP GRAY
- x = 3: NETWORK BLUE
- x = 4: OFF WHITE
- OTHER FINISHES AVAILABLE

INCLUDES:

- BRACE BRACKET
- ASSEMBLY HARDWARE



SPACE	A	PART #
2.50	6.22	R8-307-xK
5.00	8.72	R8-317-xK
0	3.75	R8-308-xK

**NETWORK BAYS
END GUARD BRACE KITS
ADJUSTABLE**

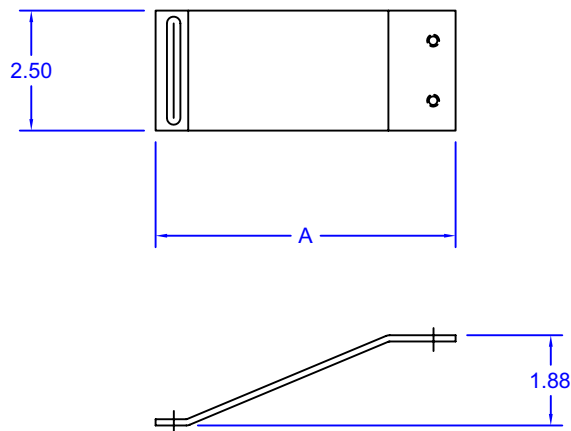
MATERIAL: CARBON STEEL

FINISH OPTIONS:

- x = 1: MTP GRAY
- x = 3: NETWORK BLUE
- x = 4: OFF WHITE
- OTHER FINISHES AVAILABLE

INCLUDES:

- BRACE BRACKET
- ASSEMBLY HARDWARE



SPACE	A	PART #
2.50	6.22	R8-377-xK
5.00	8.72	R8-379-xK
0	3.75	R8-378-xK

