

R7R NETWORK BAYS - SEISMIC
 (12 x 26 FOOTPRINT)
 CLOSED DUCT
 7' HIGH

MATERIAL: CARBON STEEL

FINISH OPTIONS:

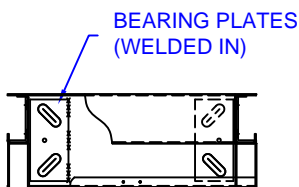
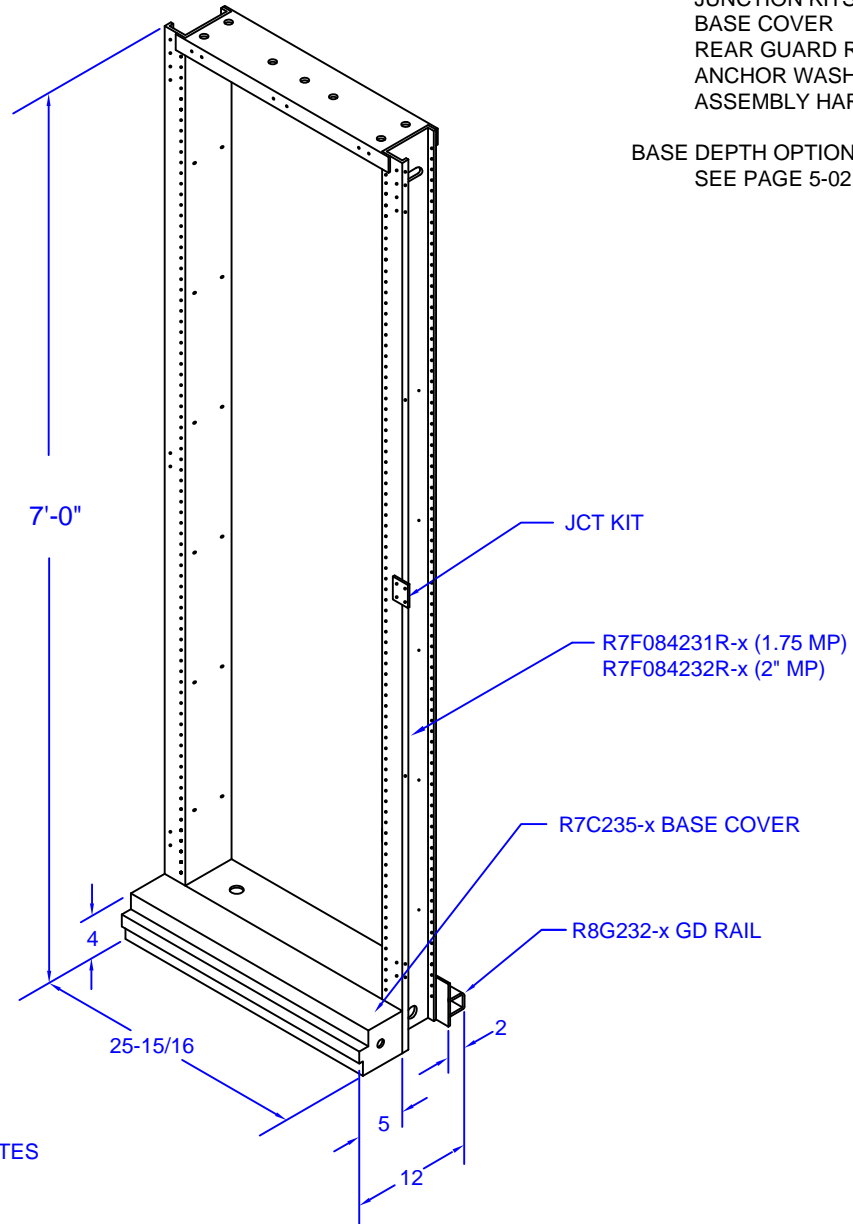
- x = 1: MTP GRAY
- x = 3: NETWORK BLUE
- x = 4: OFF WHITE
- OTHER FINISHES AVAILABLE

INCLUDES:

- WELDED FRAME
- JUNCTION KITS
- BASE COVER
- REAR GUARD RAIL
- ANCHOR WASHERS
- ASSEMBLY HARDWARE

BASE DEPTH OPTIONS:

SEE PAGE 5-02 FOR CODES



FLOOR MOUNTING

(PER GR-63-CORE -FIG 2-1)
 (FLOOR ANCHORS - NOT INCLUDED)

MTG PATTERN	PART #
1.75 x 23	R7R084231R-x
2.00 x 23	R7R084232R-x

(08/05/09)



Moreng Telecom Products
 973-237-2001
 www.morengtel.com