

NETWORK BAY FOOTPRINT CONFIGURATION NUMBERS & CODES

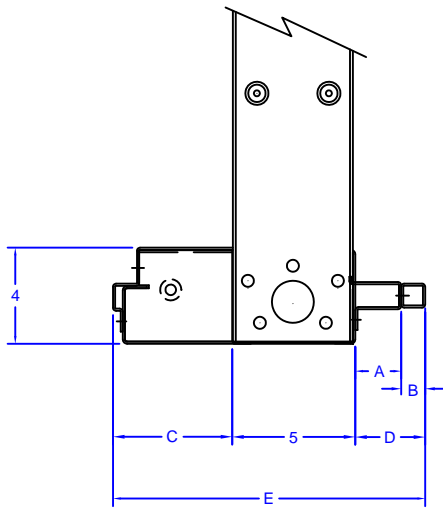


FIG 1

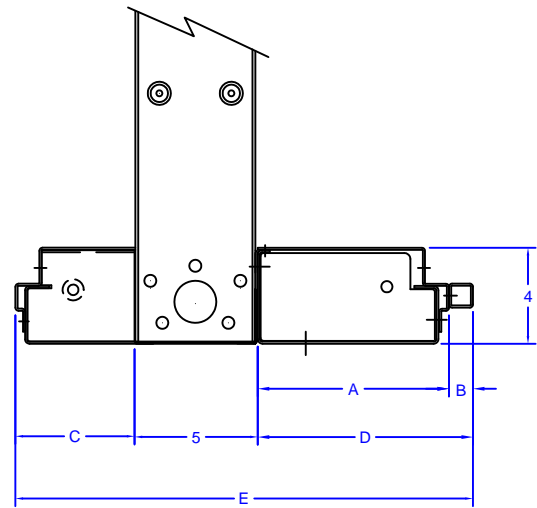


FIG 2

BAY PART # → **R a R hhh ww m c-x**

a = 7 FOR SEISMIC
a = 8 FOR ZONE 0-2

BAY HEIGHT (INCHES)

NOMINAL BAY WIDTH
19 or 23

RACK MTG PATTERN
1 = 1.75" MP
2 = 2.00" MP

FINISH:
1 = MTP GRAY
3 = NETWORK BLUE
4 = OFF WHITE

FOOT PRINT CODE
SEE TABLE BELOW

FIG	DIMENSIONS					CONFIG CODE 'c'	
	E	C	D	A	B	LARGE	SMALL
							GD BOX FLANGE
1	10	5	0	0	0	A	M
1	11	6	0	0	0	P	Q
1	12	5	2	2	0	R	D
1	12	6	1	1	0	T	BLANK
1	15	5	5	2	3	C	U
2	15	5	5	5	0	B	V
2	16	5	6	5	1	G	H
2	16	6	5	5	0	E	F
2	18	5	8	8	0	J	K
2	20	5	10	10	0	L	Z
2	21	8	8	8	0	W	X

