

NETWORK BAY SPACER FOOTPRINT CONFIGURATION NUMBERS & CODES

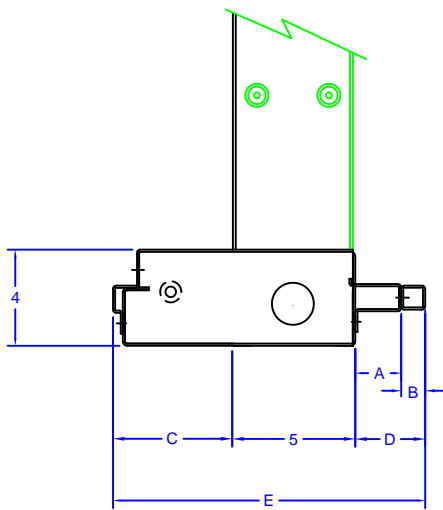


FIG 1

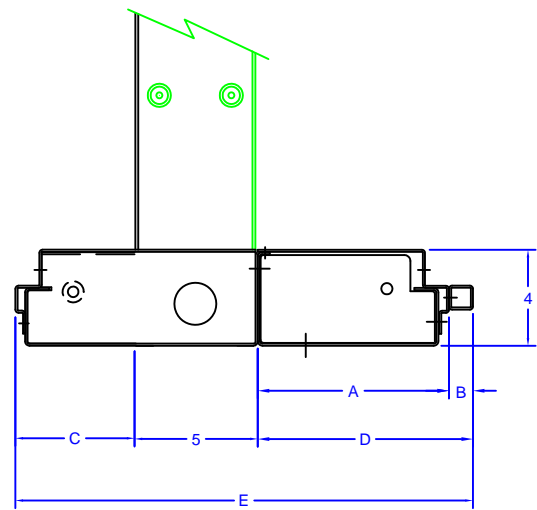


FIG 2

SPACER PART # → **R a bb hhh ww c-x**

a = 7 FOR SEISMIC
 a = 8 FOR ZONE 0-2
 bb = SP FOR BAY SPACER
 bb = ES FOR END GD SPACER
 SPACER HEIGHT (INCHES)
 SPACE WIDTH
 2, 5 OR 10
 FINISH:
 1 = MTP GRAY
 3 = NETWORK BLUE
 4 = OFF WHITE
 FOOT PRINT CODE
 SEE TABLE BELOW

FIG	DIMENSIONS					CONFIG CODE 'c'	
	E	C	D	A	B	GD BOX FLANGE	
						LARGE	SMALL
1	10	5	0	0	0	A	M
1	11	6	0	0	0	P	Q
1	12	5	2	2	0	R	D
1	12	6	1	1	0	T	BLANK
1	15	5	5	2	3	C	U
2	15	5	5	5	0	B	V
2	16	5	6	5	1	G	H
2	16	6	5	5	0	E	F
2	18	5	8	8	0	J	K
2	20	5	10	10	0	L	Z
2	21	8	8	8	0	W	X

