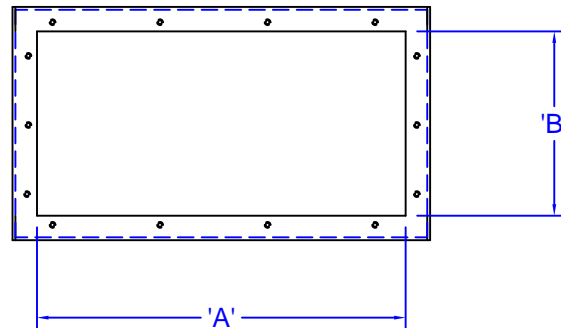
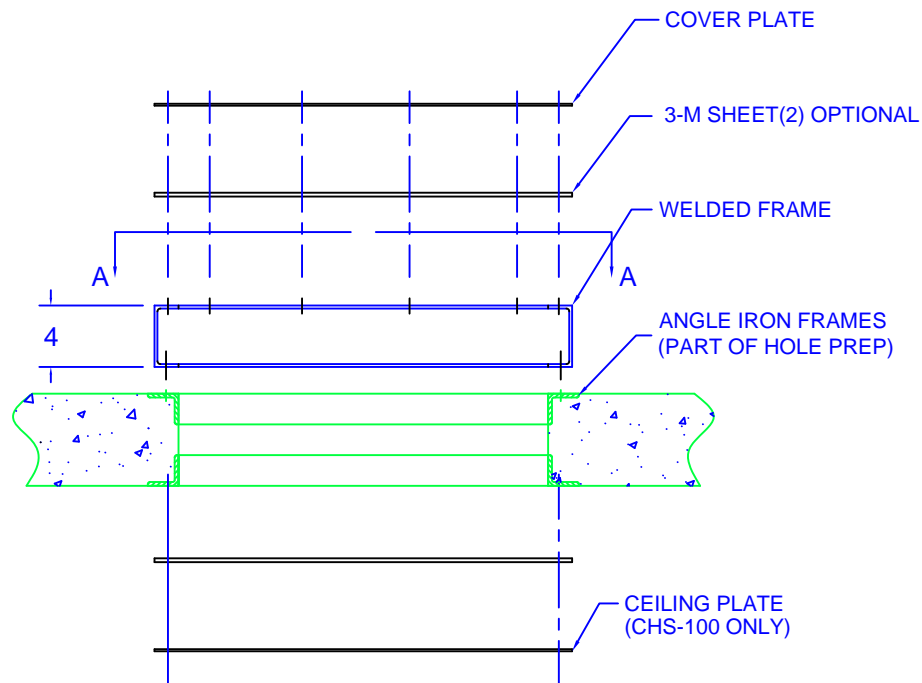


CABLE HOLE SHEATHINGS

(HOLE THRU CONCRETE FLOOR)



VIEW A-A



NOTES:

- MATERIAL: CARBON STEEL
- FINISH: MTP GRAY
- ALL MOUNTING HARDWARE IS INCLUDED TO MOUNT TO PRE-TAPPED FRAME (INSTALLER TO DRILL BOTTOM FLANGE OF SHEATHING TO MATCH)

ORDERING NOTES:

- SPECIFY 'A' AND 'B' DIMS
- ORDER CHS-100F IF 3-M SHEETS ARE NEEDED

CHS-100 & CHS-100F

