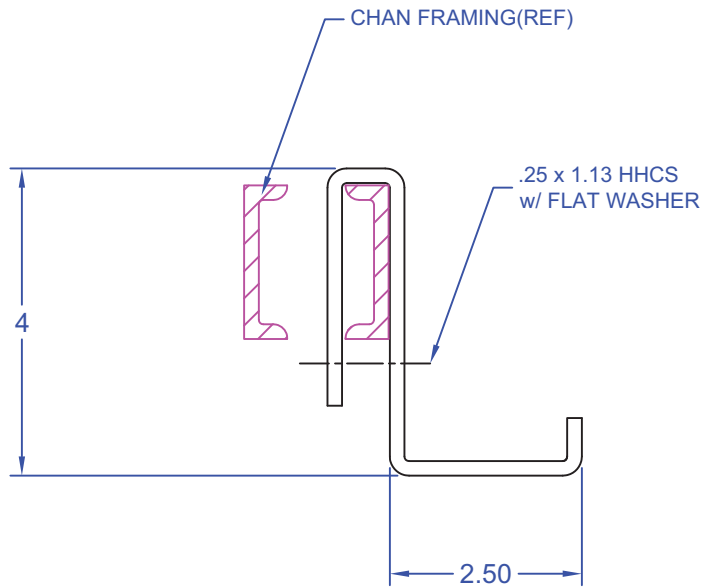


CONNECTION OF:
TOP OF 7' x 23" BAY TO 2" CHAN
FRAMING (1" OFFSET)

SFH-123



CONNECTION OF:
CABLE BRACKET TO
2" CHANNEL FRAMING
(2" UNDER)

SFH-644K

