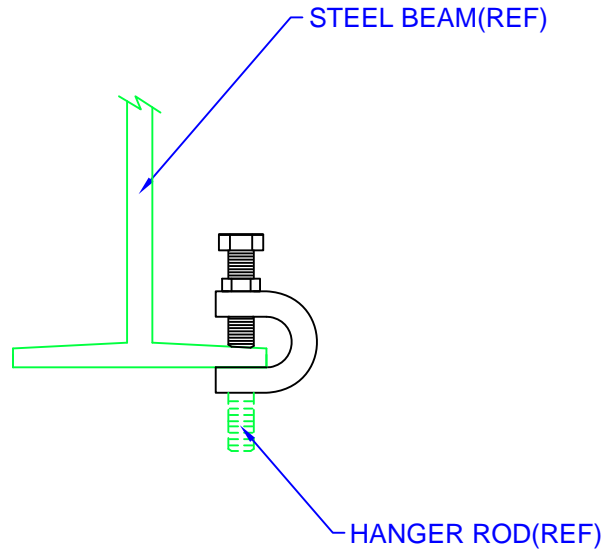


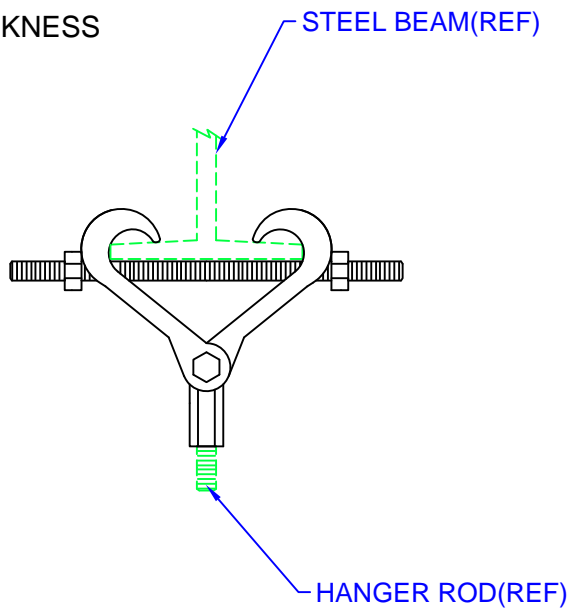
NOTES:
 400 LBS MAX LOAD
 3/4" MAX BEAM FLANGE THICKNESS



CONNECTION OF:
 5/8 HANGER ROD TO
 STEEL STEEL BEAM (SINGLE)

SFH-110

NOTES:
 1365 LBS MAX LOAD
 9/16" MAX BEAM FLANGE THICKNESS
 7" MAX BEAM FLANGE WIDTH



CONNECTION OF:
 5/8 HANGER ROD TO
 STEEL STEEL BEAM (DOUBLE)

SFH-110D

