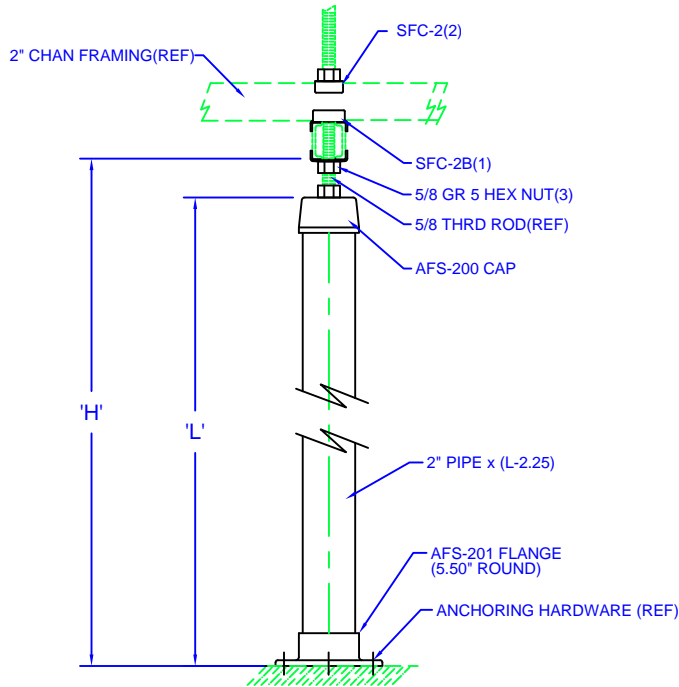


AUX FRAMING SUPPORT KITS



MATERIAL: STEEL

FINISH: MTP GRAY

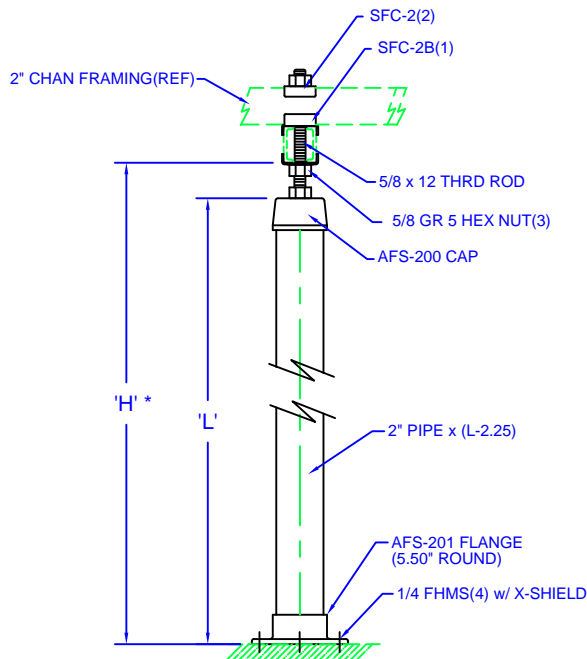
OPTIONS:

- HEIGHT: TO SPECIFY 'H', USE REQUIRED SIZE IN INCHES FOR THE xxx IN PART #
- FOR SUPPORTING BAR TYPE FRAMING: CHANGE 'C' TO 'B' IN PART #

'H'	'L'	PART NO.
7'-0"	6'-10"	AFS-084KCX
7'-2"	7'-0"	AFS-086KCX
7'-6"	7'-4"	AFS-090KCX
8'-0"	7'-10"	AFS-096KCX
8'-6"	8'-4"	AFS-102KCX
9'-0"	8'-10"	AFS-108KCX
11'-6"	11'-4"	AFS-138KCX
__'-__"	(H-2")	AFS-xxxKCX

AUX FRAMING SUPPORT KITS

(WITH TOP ROD & ANCHORING HARDWARE)



MATERIAL: STEEL

FINISH: MTP GRAY

OPTIONS:

- HEIGHT: TO SPECIFY 'H', USE REQUIRED SIZE IN INCHES FOR THE xxx IN PART #
- FOR SUPPORTING BAR TYPE FRAMING: ADD 'B' TO END OF PART #

'H'	'L'	PART NO.
7'-0"	6'-10"	AFS-084KT
7'-2"	7'-0"	AFS-086KT
7'-6"	7'-4"	AFS-090KT
8'-0"	7'-10"	AFS-096KT
8'-6"	8'-4"	AFS-102KT
9'-0"	8'-10"	AFS-108KT
11'-6"	11'-4"	AFS-138KT
__'-__"	(H-2")	AFS-xxxKT

* ACTUAL 'H' DIM MAY BE ADJUSTED TO 4" HIGHER OR 2" LOWER THAN SHOWN

