

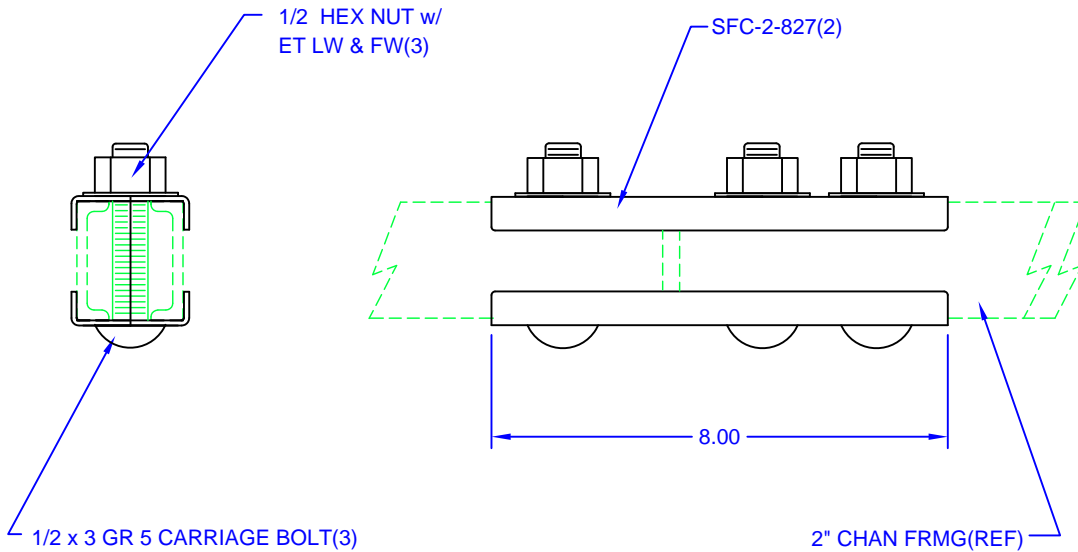
INSTALL 3/8 x 5/8 GRADE 5 BOLTS
AND ETT WASHERS IN SFC-2-351 BARS
(8) BOLTS PER SPLICE
FIELD DRILL CHANNELS (IF NEEDED)

SECTION A-A

FINISH: ZINC PLATE & YELLOW CHROMATE

**2"CHAN FRMG SPLICE
(SEISMIC BOLTED-GR1275)**

SFC-2-350



FINISH: ZINC PLATE & YELLOW CHROMATE

**2"CHAN FRMG SPLICE
(3 BOLT) PER GR-1275**

SFC-2-818

