

FRAMING BARS-2 x 3/8



MATERIAL: 2 x 3/8 ASTM A-36 STEEL

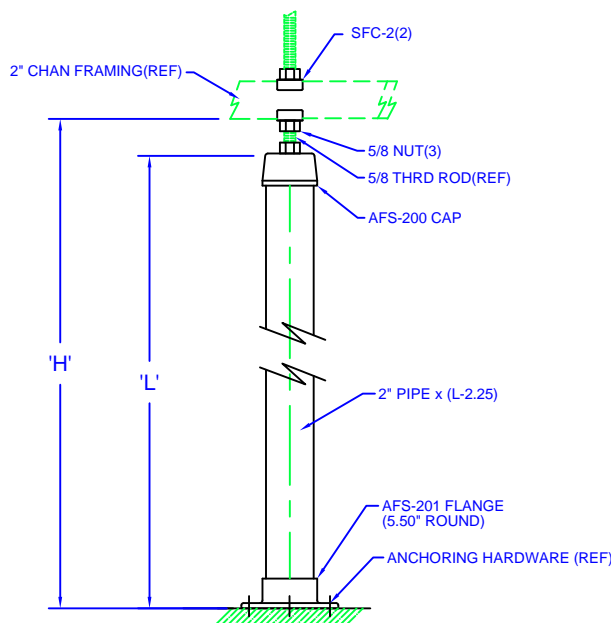
FINISH: MTP GRAY

OPTIONS:

- MAY BE ORDERED TO ANY LENGTH BY USING LAST 3 DIGITS OF PART NUMBER AS REQUIRED LENGTH (IN INCHES)

PART #	'L'
CRB-2-048	4'-0"
CRB-2-060	5'-0"
CRB-2-072	6'-0"
CRB-2-096	8'-0"
CRB-2-120	10'-0"
CRB-2-240	20'-0"
CRB-2-XXX	VARIABLE

AUX FRAMING SUPPORT KITS



MATERIAL: STEEL
FINISH: MTP GRAY

OPTIONS:

- HEIGHT: TO SPECIFY 'H', USE REQUIRED SIZE IN INCHES FOR THE xxx IN PART #
- FOR SUPPORTING BAR TYPE FRAMING: CHANGE 'C' TO 'B' IN PART #

'H'	'L'	PART NO.
7'-0"	6'-10"	AFS-084KC
7'-2"	7'-0"	AFS-086KC
7'-6"	7'-4"	AFS-090KC
8'-0"	7'-10"	AFS-096KC
8'-6"	8'-4"	AFS-102KC
9'-0"	8'-10"	AFS-108KC
11'-6"	11'-4"	AFS-138KC
__'-__"	(H-2")	AFS-xxxKC

(05/17/09)



Moreng Telecom Products
973-237-2001
www.morengtel.com