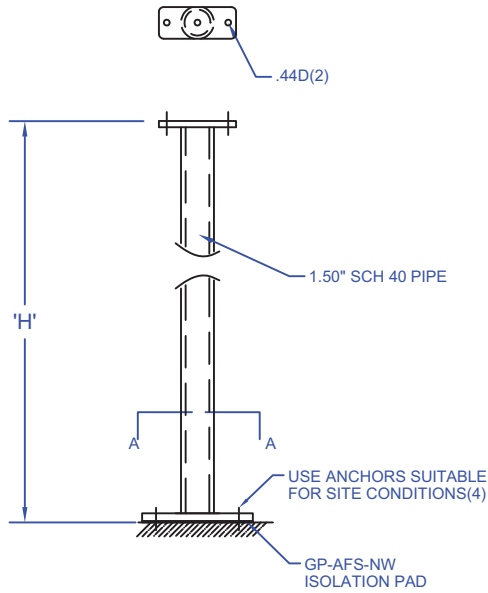
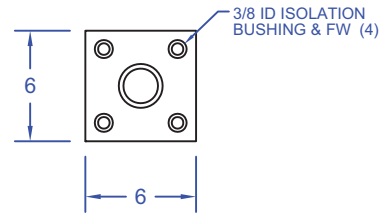


AUX FRAMING SUPT (WELDED) (ISOLATED)



NOTES:

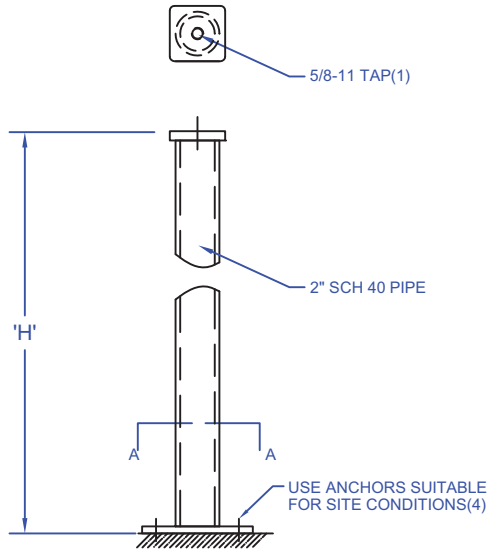
- 1) MATERIAL: STEEL, WELDED
- 2) FINISH: MTP GRAY POWDER
- 3) SPECIFYING PART NUMBER;
AFS-xxxNWK
xxx IS "H" IN WHOLE INCHES
- 4) EXAMPLE:
FOR "H" = 88", PART #
IS AFS-088NWK



SECTION A-A

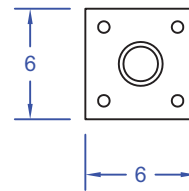
AFS-xxxNWK

AUX FRAMING SUPT (WELDED)



NOTES:

- 1) MATERIAL: STEEL, WELDED
- 2) FINISH: MTP GRAY POWDER
- 3) SPECIFYING PART NUMBER;
AFS-xxxPW
xxx IS "H" IN WHOLE INCHES
- 4) EXAMPLE:
FOR "H" = 88", PART #
IS AFS-088PW



SECTION A-A

AFS-xxxPW

