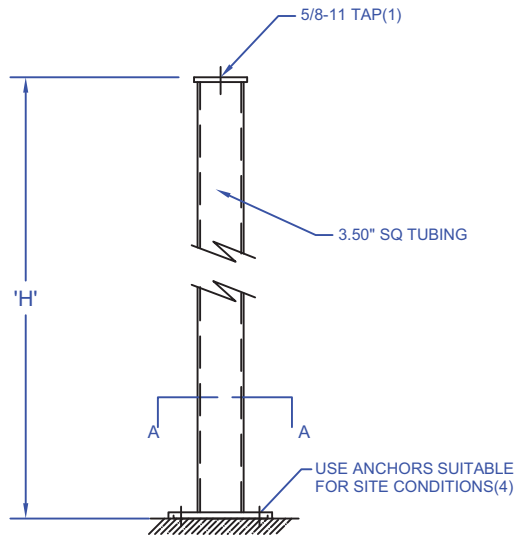
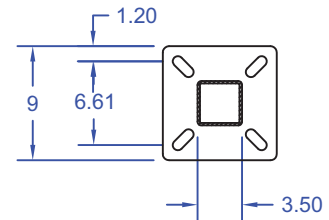


AUX FRAMING SUPT (WELDED)



NOTES:

- 1) MATERIAL: STEEL, WELDED
- 2) FINISH: MTP GRAY POWDER
- 3) SPECIFYING PART NUMBER;
AFS-xxxEQ
xxx IS "H" IN WHOLE INCHES
- 4) EXAMPLE:
FOR "H" = 88", PART #
IS AFS-088EQ

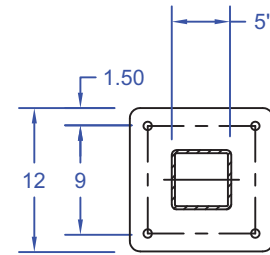
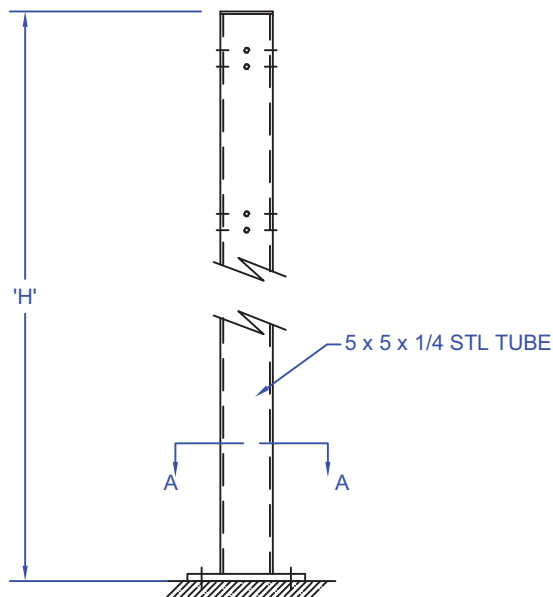


SECTION A-A

TYPE	'H'	PART #
STANDARD	90"	AFS-090EQ
VARIABLE	xxx"	AFS-xxxEQ

AUX FRAMING SUPT (WELDED)

(AT & T SEISMIC)



SECTION A-A

MATERIAL: STEEL, WELDED
FINISH: SEE TABLE

H	FINISH	
	GRAY	WHITE
89.62	AFS-090ESG	AFS-090ESW
113.62	AFS-114ESG	AFS-114ESW

