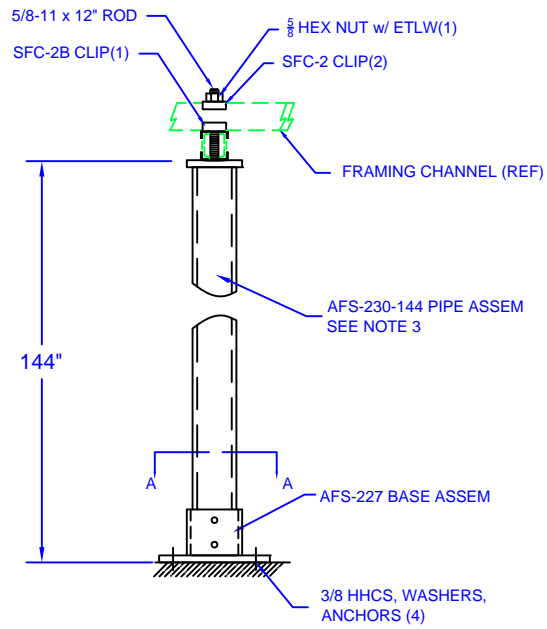
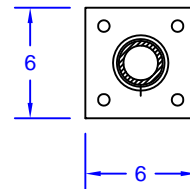


AUX FRAMING SUPT (UNIVERSAL)



NOTES:

- 1) MATERIAL: STEEL, WELDED
- 2) FINISH: MTP GRAY POWDER
- 3) CUT TO EXACT HEIGHT IN FIELD
- 4) INCLUDES:
 - 3/8 ANCHORING HARDWARE
 - TOP HARDWARE FOR 2" CHANNEL



SECTION A-A

AFS-230-144K

