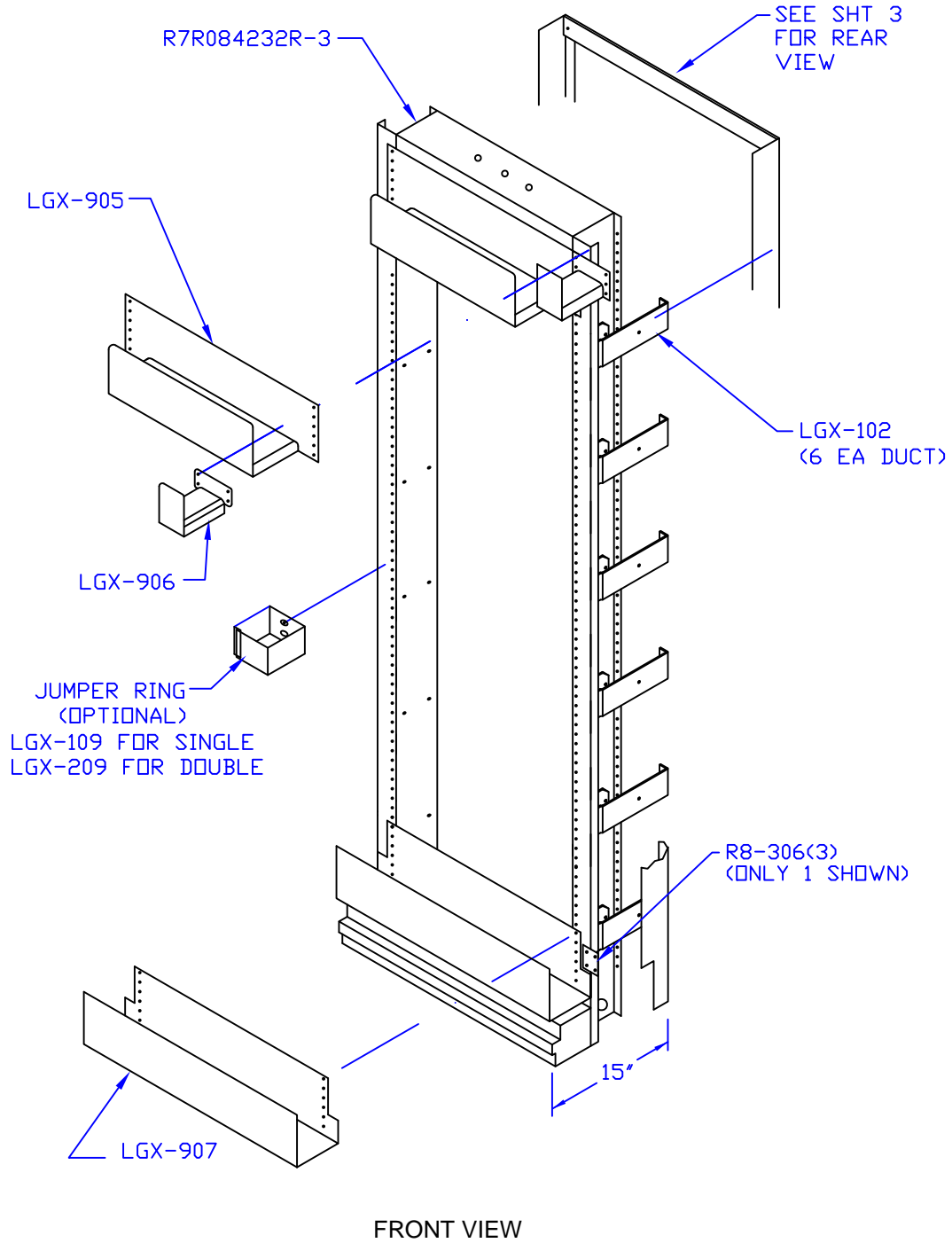


# FIBER DISTRIBUTION BAYS (OSP - 15" DEEP - SEISMIC)

SHT 2 OF 3



## R7LG084A15-3

(05/16/09)



Moreng Telecom Products  
973-237-2001  
www.morengtel.com