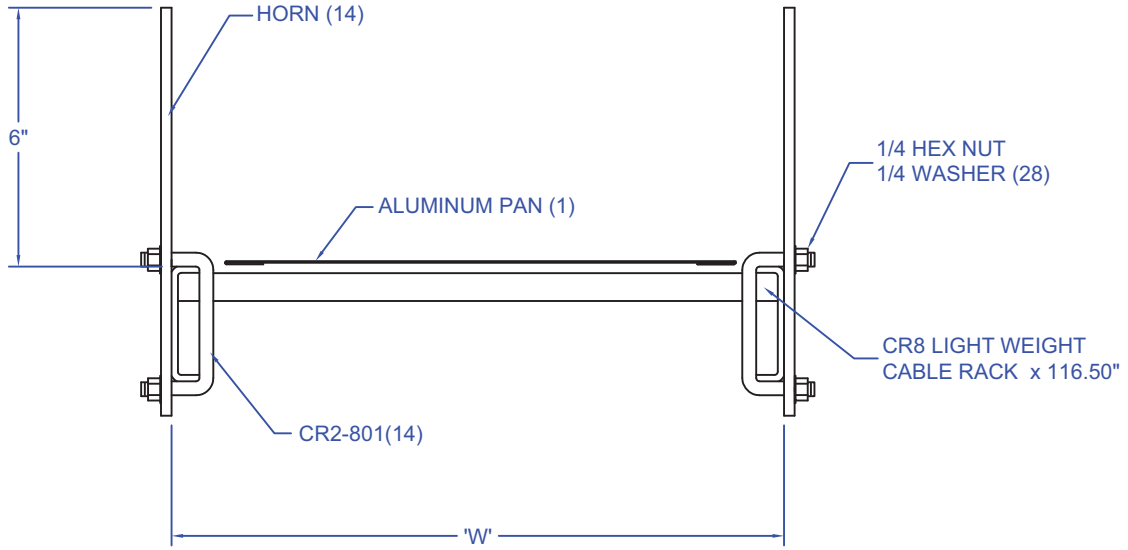


FINISH: SEE 8-30 FOR OPTIONS

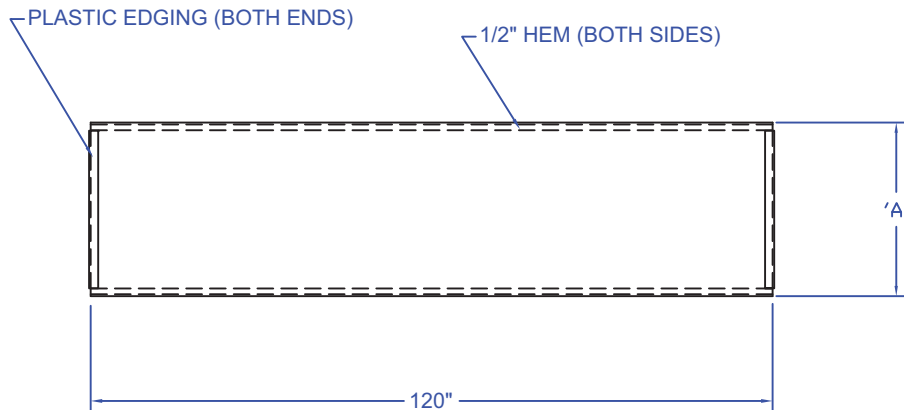


CABLE TROUGH CROSS SECTION

PART #	'W'
FPS-112T-x	12"
FPS-115T-x	15"
FPS-120T-x	20"
FPS-1wwT-x	ww"

FIBER CABLE TRAY KITS

MATERIAL: .032 ALUMINUM  
FINISH: NONE



'A' = Width of cable rack minus 1.50"

PART #	'A'
FPS-212T	10.50"
FPS-215T	13.50"
FPS-218T	16.50"
FPS-220T	18.50"

CABLE TROUGH PANS

