

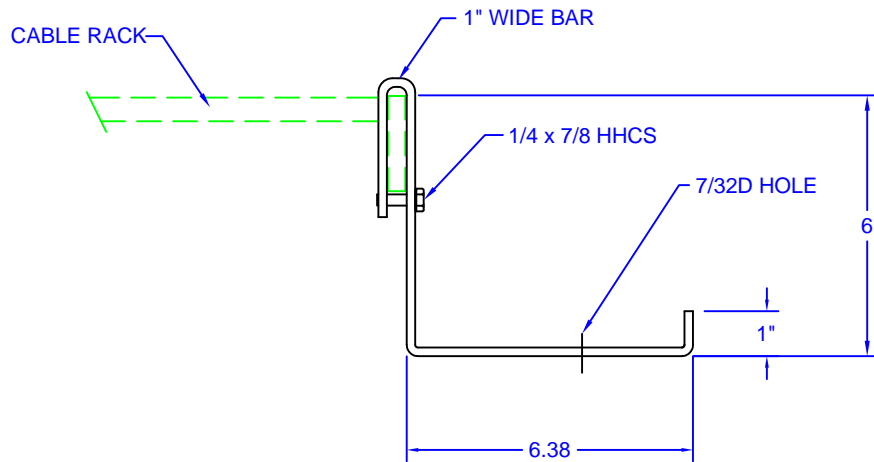
MATERIAL: 3/16 x 1 HRPO

FINISH: MTP GRAY POWDER
FOR ZINC-YELLOW, ADD 'Y' AT END OF PART #

FOR USE UNDER 1-1/2" OR 2" SIDE BARS

POWER CABLE BRACKET

CR2-877



MATERIAL: 3/16 x 1 HRPO

FINISH: MTP GRAY POWDER
FOR ZINC-YELLOW, ADD 'Y' AT END OF PART #

FOR USE BESIDE 1-1/2" OR 2" SIDE BARS

POWER CABLE BRACKET

CR2-878