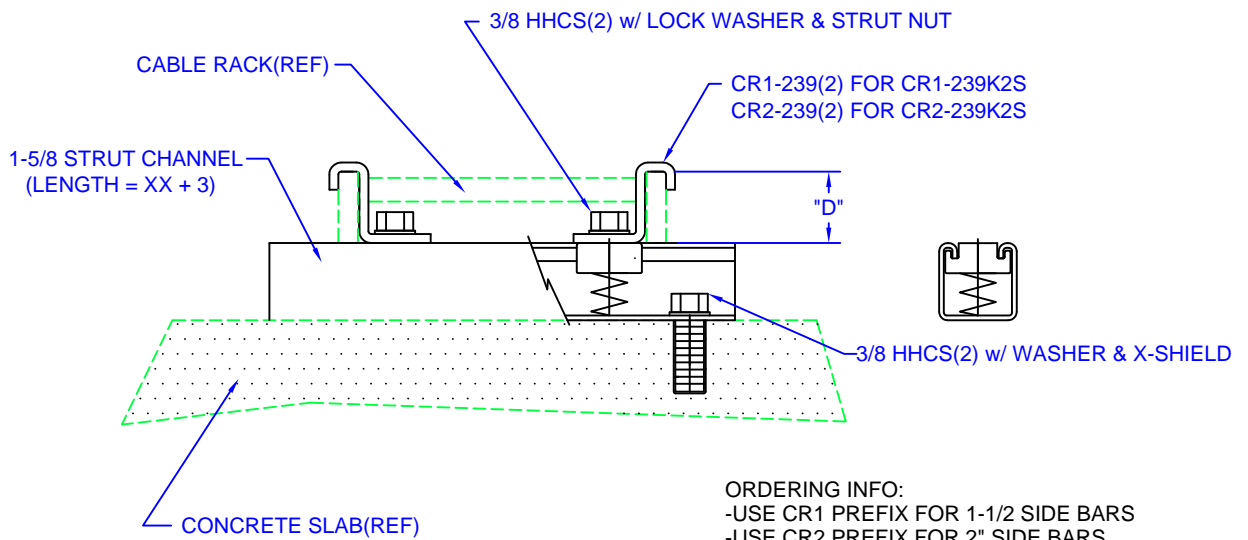


CABLE RACK ANCHOR KIT  
TO EXISTING STRUT CHANNEL

"D"	PART #
1-1/2"	CR1-239K2S
2"	CR2-239K2S



CABLE RACK ANCHOR KIT  
TO NEW STANDOFF STRUT

ORDERING INFO:  
 -USE CR1 PREFIX FOR 1-1/2" SIDE BARS  
 -USE CR2 PREFIX FOR 2" SIDE BARS  
 -USE WIDTH OF CA RK FOR SUFFIX  
 -FOR EXAMPLE, FOR 15" CA RK WITH 2" SIDES:  
 ORDER CR2-239KS-15

"D"	PART #	CR SIZE
1-1/2"	CR1-239KS-xx	xx"
2"	CR2-239KS-xx	xx"

