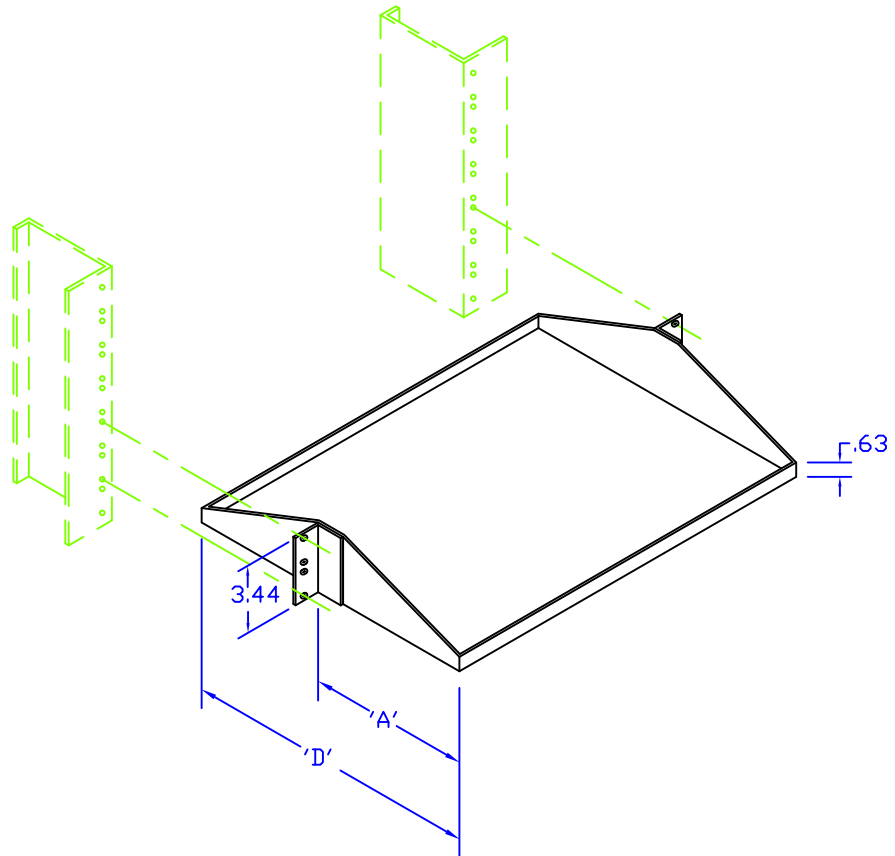


EQUIPMENT SHELVES - ES SERIES

(FLANGED ALL SIDES)



MOUNTING HARDWARE INCLUDED

MATERIAL: SHEET STEEL

OPTIONS:

USE PART NUMBER CODE AS SHOWN

MAY BE MOUNTED TO FRONT OR REAR FLANGE

ES XXX XXX-X

RACK WIDTH
(190 FOR 19")
(230 FOR 23")

'D' DIM

FINISH:
-1 = MTP GRAY
-3 = NETWORK BLUE
-4 = OFF WHITE

		23"	19"
'A'	'D'	RACK	RACK
4.50	11.5	ES230115-x	ES190115-x
8.50	15.5	ES230155-x	ES190155-x
8.50	19.5	ES230195-x	ES190195-x

(09/20/09)



Moreng Telecom Products
973-237-2001
www.morengtel.com